



US00D479228S

(12) **United States Design Patent**
Sakaguchi et al.

(10) **Patent No.:** **US D479,228 S**

(45) **Date of Patent:** **** Sep. 2, 2003**

(54) **HANDS-FREE KIT FOR MOUNTING A WIRELESS DEVICE IN A VEHICLE**

JP 11214099 * 8/1999
JP 11310088 * 11/1999
WO 99/65210 * 12/1999

(75) Inventors: **Ann Sakaguchi**, Seattle, WA (US); **Jim VanderMeer**, Bainbridge Island, WA (US); **John Tuttle**, Bainbridge Island, WA (US)

Primary Examiner—Jeffrey Asch
(74) *Attorney, Agent, or Firm*—Stoel Rives LLP

(73) Assignee: **Airbiquity Inc.**, Bainbridge Island, WA (US)

(57) **CLAIM**

(**) Term: **14 Years**

We claim the ornamental design for a hands-free kit for mounting a wireless device in a vehicle, as shown and described.

(21) Appl. No.: **29/166,804**

DESCRIPTION

(22) Filed: **Sep. 3, 2002**

(51) **LOC (7) Cl.** **14-03**

(52) **U.S. Cl.** **D14/253**

(58) **Field of Search** D14/137, 434, D14/138, 447, 148, 147, 149–151, 140–142, 240, 241, 251–253, 451, 218; 379/426, 449, 419, 420.01–420.04, 428.01–428.04, 440, 454, 455, 446; 455/550–575, 90; D13/107, 108, 144; 320/110–115; D3/218

FIG. 1 is a front perspective view of the hands-free kit of the present invention, with broken lines showing environmental detail of electrical connectors, pushbuttons, telephone connection pins, a telephone cable jack, and surface ornamentation;

FIG. 2 is a left-side rear lower perspective view thereof, with broken lines showing environmental detail of a structural loop, a power input jack, and a connector for removably mounting the hands-free kit on a support;

FIG. 3 is a front elevation view thereof;

FIG. 4 is a rear elevation view thereof;

FIG. 5 is an auxiliary left side elevation view thereof, from a vantage in alignment with the face of a loudspeaker of the hands-free kit, with broken lines showing environmental detail of an exemplary wireless device mounted in the front of the hands-free kit;

FIG. 6 is a right side elevation view thereof, with environmental detail of the exemplary wireless device omitted;

FIG. 7 is a top plan view thereof; and,

FIG. 8 is a bottom plan view thereof.

The broken lines in FIGS. 1–8 are illustrative of environmental structure only and form no part of the claimed design.

(56) **References Cited**

U.S. PATENT DOCUMENTS

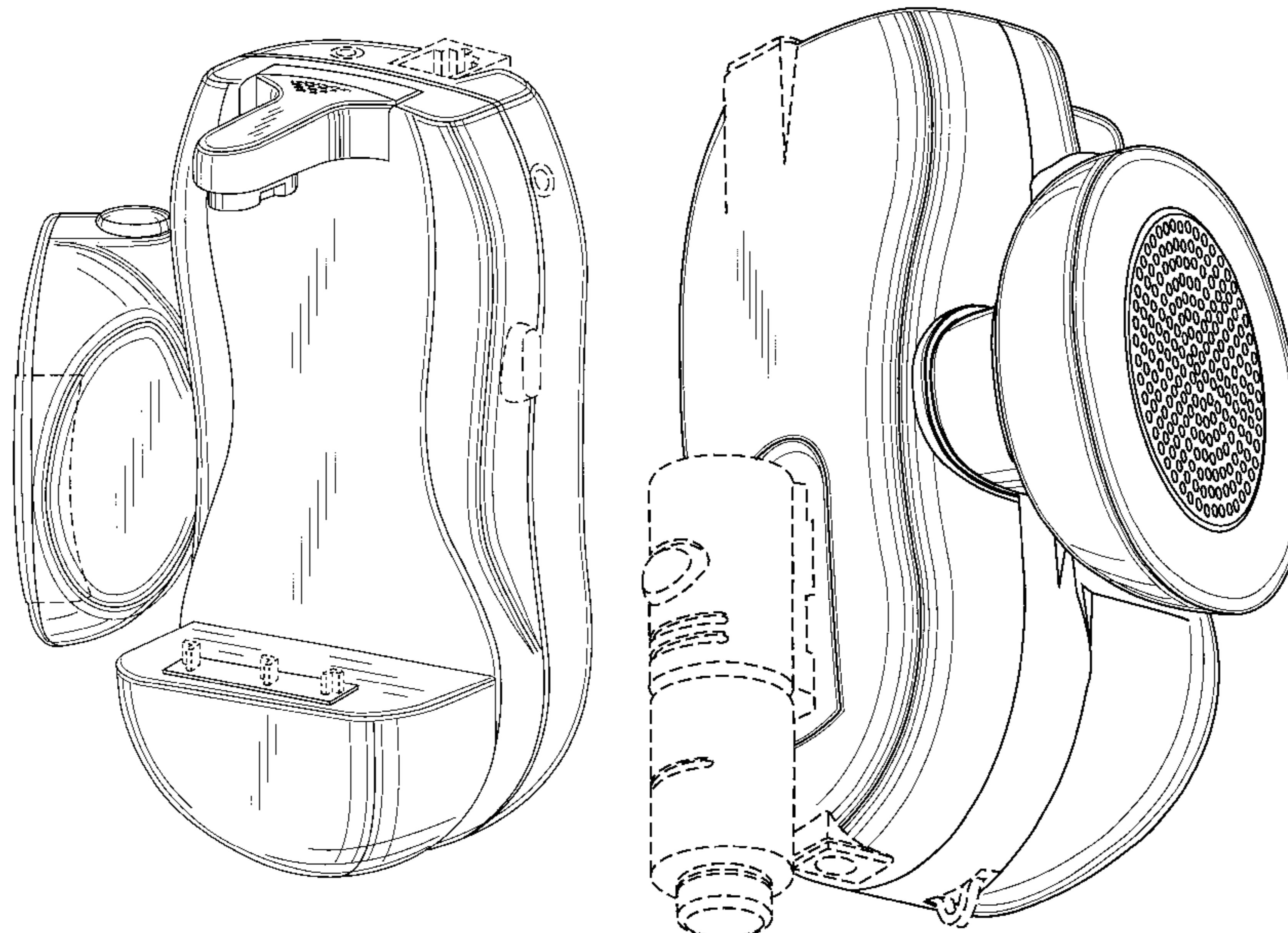
5,179,590	A	*	1/1993	Wang	379/454
5,230,016	A	*	7/1993	Yasuda	455/573
5,396,556	A	*	3/1995	Chen	379/446
D358,822	S	*	5/1995	Rudkiewicz et al.	D14/253
5,414,770	A	*	5/1995	Wang	379/446

(List continued on next page.)

FOREIGN PATENT DOCUMENTS

DE	20018022	*	12/2000
DE	20018891	*	1/2001

1 Claim, 7 Drawing Sheets



US D479,228 S

Page 2

U.S. PATENT DOCUMENTS

D360,210 S	*	7/1995	Rudkiewicz et al.	D14/253	6,229,893 B1	5/2001	Chen	379/454
5,535,274 A		7/1996	Braitbert et al.	379/446	6,312,284 B1	* 11/2001	Tsay	439/529
D379,819 S	*	6/1997	Kelley et al.	D14/253	6,341,218 B1	* 1/2002	Poplawsky et al.	455/90
5,659,887 A	*	8/1997	Ooe	455/575	6,366,672 B1	* 4/2002	Tsay	379/446
D389,159 S	*	1/1998	Patterson et al.	D14/253	6,478,276 B1	* 11/2002	Louh	248/309.1
5,736,830 A	*	4/1998	Weng	320/108	6,480,378 B2	* 11/2002	Chang	361/686
5,839,919 A	*	11/1998	Chen	439/529	D466,516 S	* 12/2002	Peiker	D14/447
D419,160 S	*	1/2000	Davidson et al.	D14/253	2002/0159587 A1	* 10/2002	Chang	379/454
D432,121 S	*	10/2000	Chen	D14/253	2002/0176571 A1	* 11/2002	Louh	379/455
6,138,041 A	*	10/2000	Yahia	455/569	2002/0190176 A1	* 12/2002	Louh	248/316.4
D437,845 S	*	2/2001	Lee	D14/253	2002/0191782 A1	* 12/2002	Berger et al.	379/454
D441,713 S	*	5/2001	Gartrell	D13/108				

* cited by examiner

FIG. 1

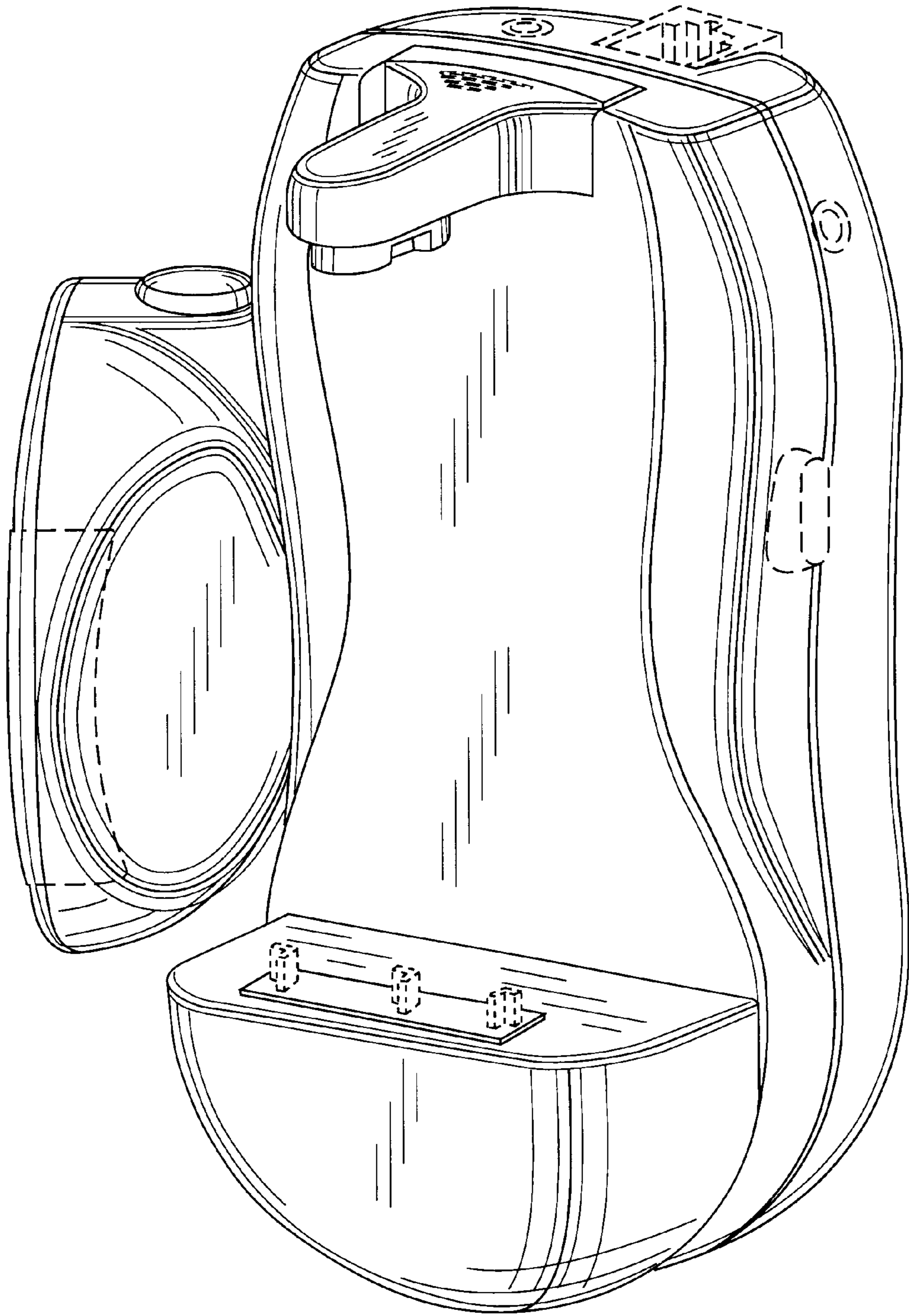
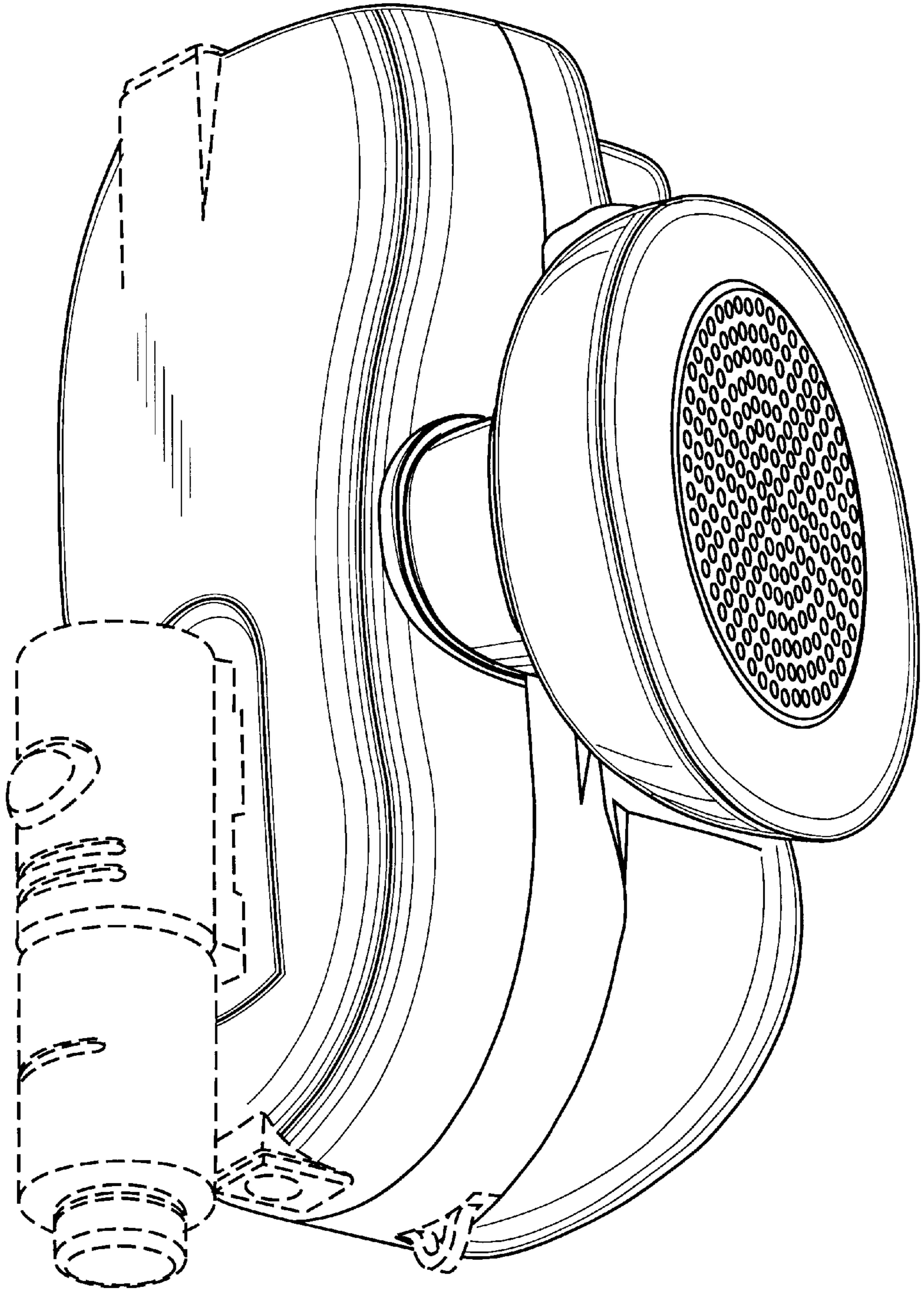


FIG. 2



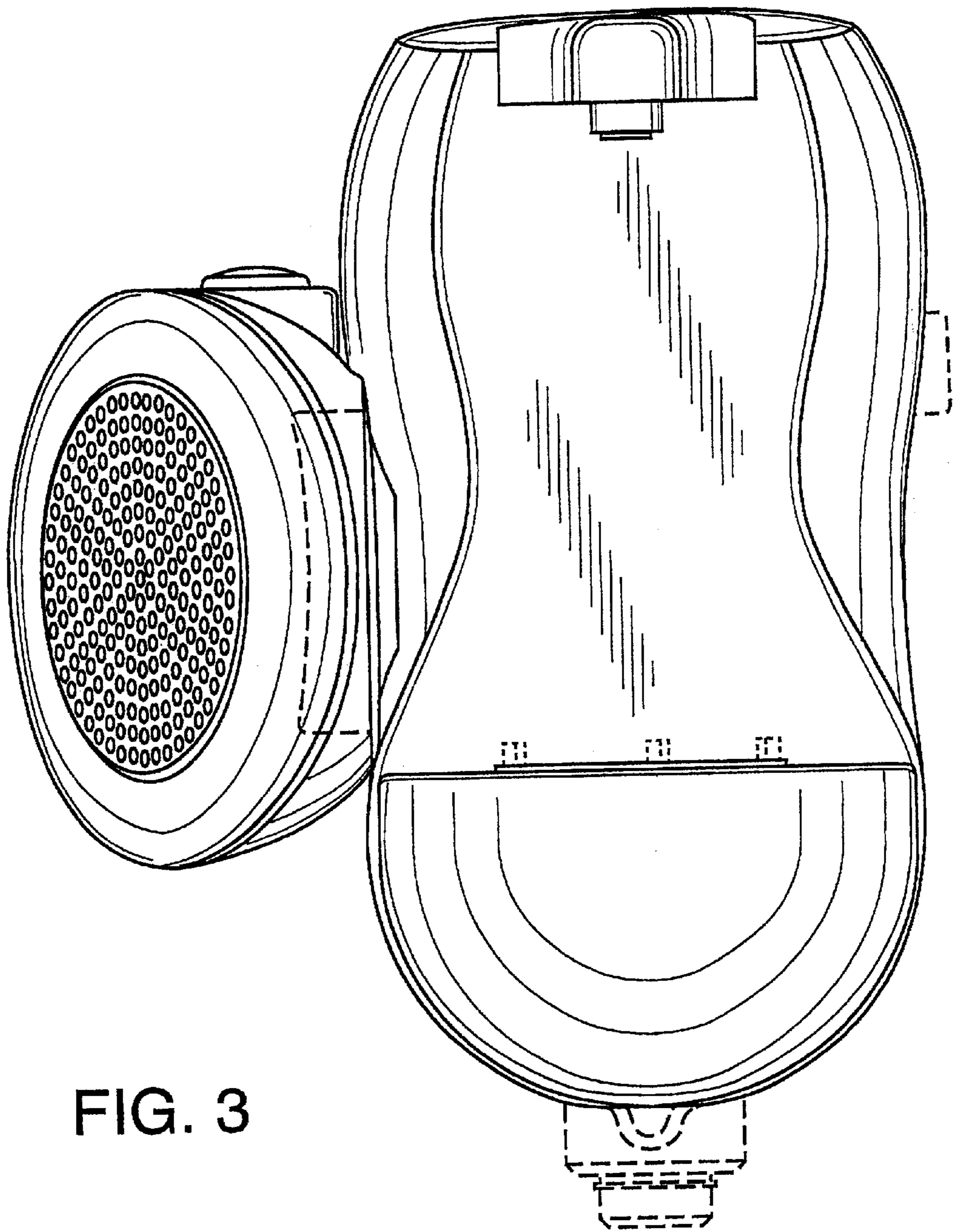


FIG. 3

FIG. 4

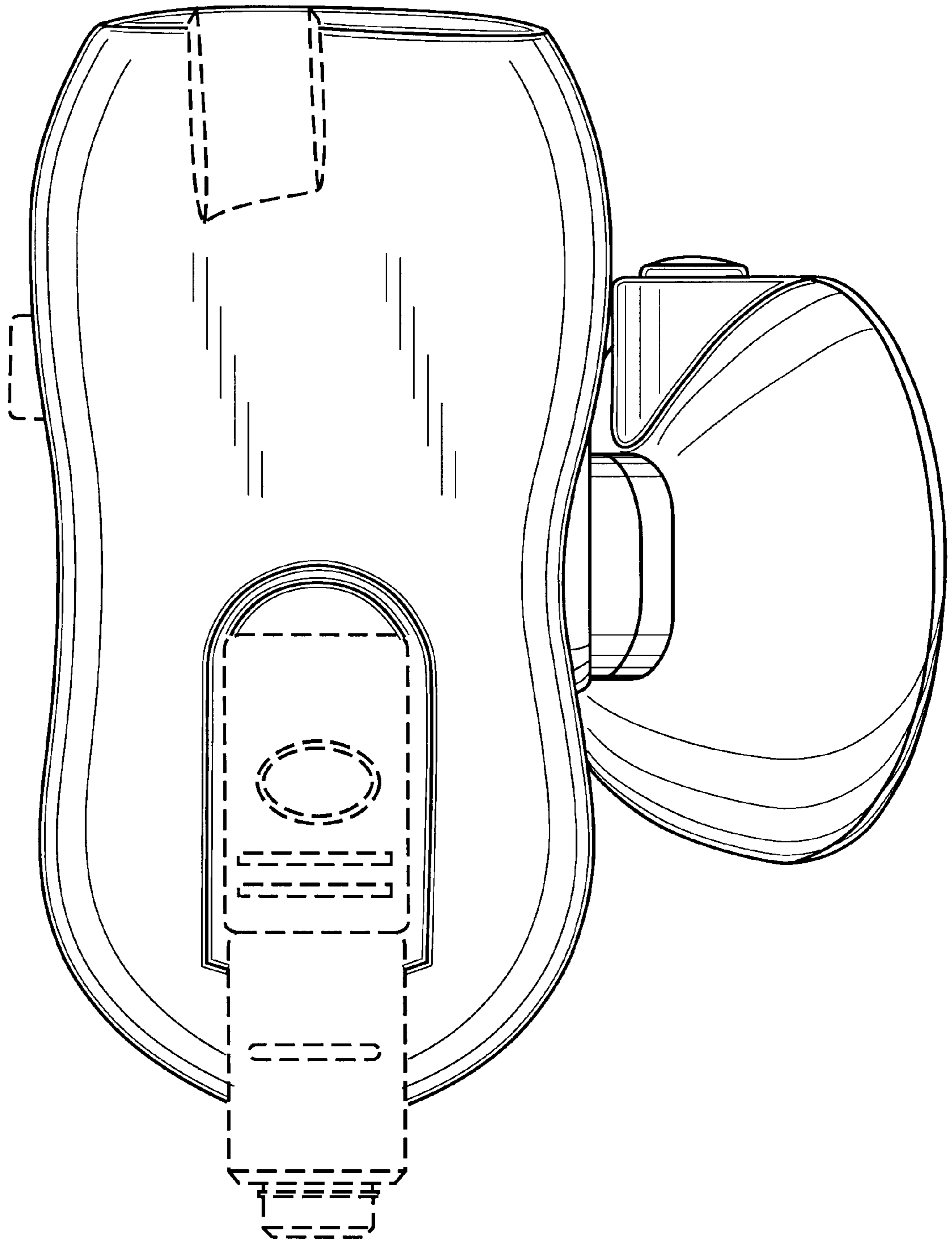
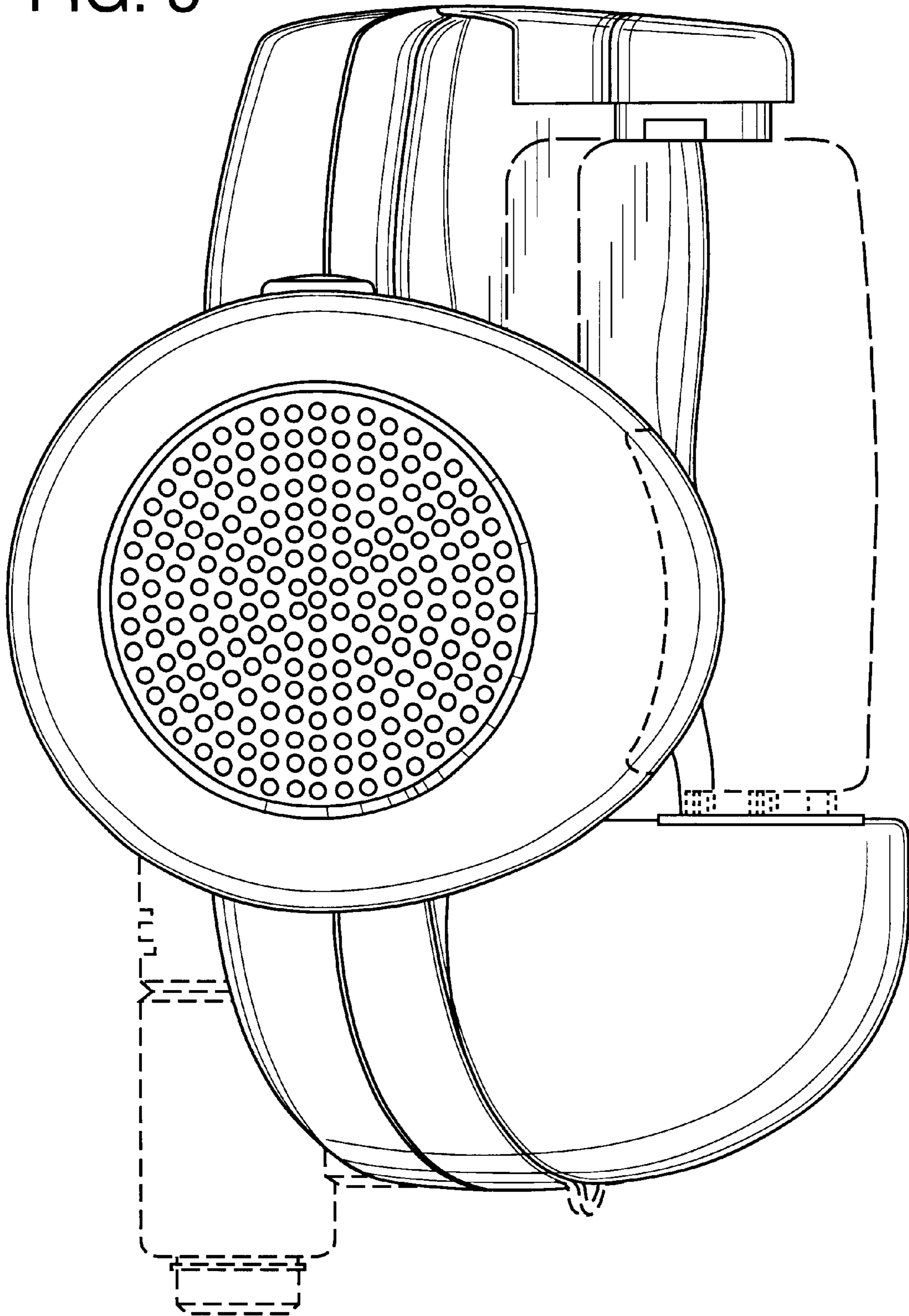


FIG. 5



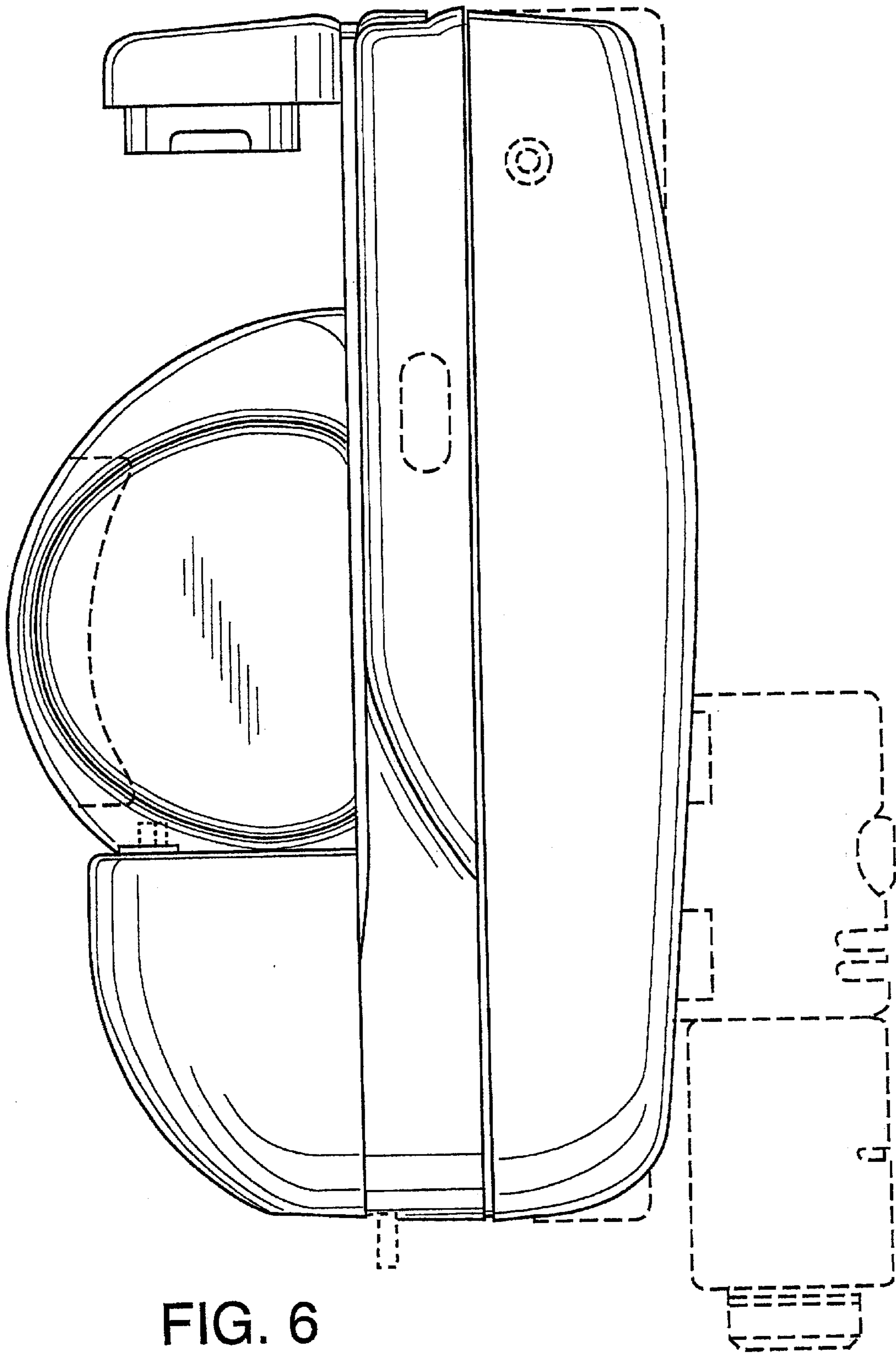


FIG. 6

FIG. 7

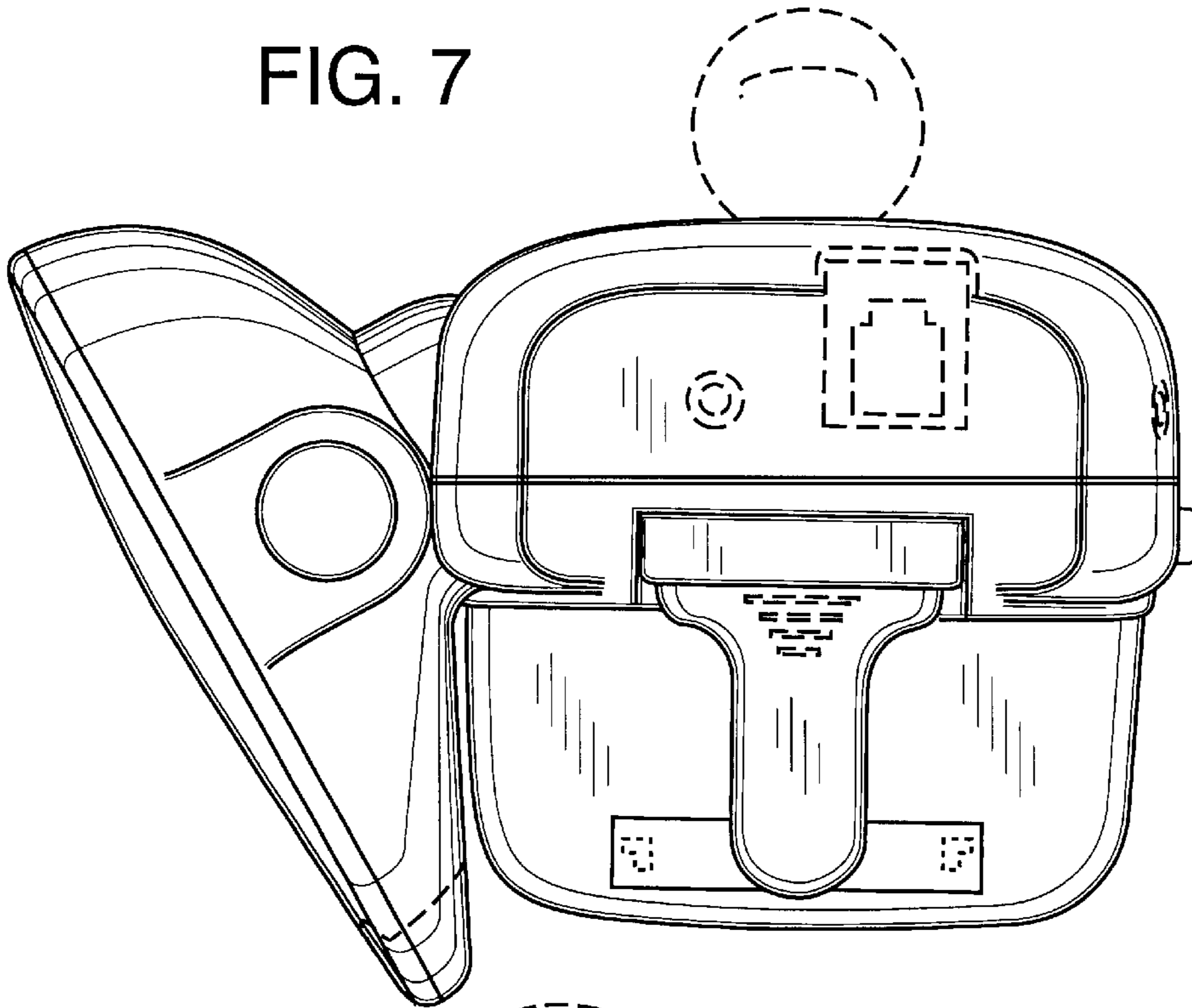


FIG. 8

