



US00D479226S

(12) **United States Design Patent**
Beauregard, Jr.

(10) **Patent No.: US D479,226 S**

(45) **Date of Patent: ** Sep. 2, 2003**

(54) **EAR MOUNTED HEADSET**

(76) **Inventor: Claude Maurice Beauregard, Jr.,**
43505 Gatehouse Ct., Canton, MI (US)
48187

(**) **Term: 14 Years**

(21) **Appl. No.: 29/168,348**

(22) **Filed: Oct. 1, 2002**

(51) **LOC (7) Cl. 14-01**

(52) **U.S. Cl. D14/223**

(58) **Field of Search** D14/205, 206,
D14/223, 192, 188, 225-226, 227-229;
379/430, 431, 433; 181/128, 129, 130,
131; D24/173-174; 381/370, 376-381

(56) **References Cited**

U.S. PATENT DOCUMENTS

D174,853 S	*	2/1955	Norris	D14/192
D179,150 S	*	11/1956	Norris	D14/192
D180,694 S	*	7/1957	Norris	D14/192
D180,695 S	*	7/1957	Norris	D14/192
4,273,969 A	*	6/1981	Foley et al.	379/430
4,453,050 A		6/1984	Enokido		
D299,344 S		1/1989	Stevens		
D311,521 S		10/1990	Jonsson et al.		
D339,355 S		9/1993	Burris et al.		
5,450,496 A		9/1995	Burris et al.		
D366,486 S		1/1996	Runquist et al.		
D375,272 S		11/1996	Heary		
D375,313 S		11/1996	Jensen et al.		
D375,500 S		11/1996	Bungardt et al.		
D375,959 S		11/1996	Davis et al.		

D394,437 S		5/1998	Landreth et al.		
D395,653 S	*	6/1998	Read et al.	D14/206 X
D403,327 S		12/1998	Landreth et al.		
D407,089 S		3/1999	Norin		
D420,007 S		2/2000	Marshall et al.		
D421,755 S	*	3/2000	Pitel	D14/223 X
D439,890 S		4/2001	Skulley et al.		
D443,261 S	*	6/2001	Yuyama	D14/223
D451,907 S	*	12/2001	Amae et al.	D14/223
D455,732 S		4/2002	Skulley et al.		
D459,342 S		6/2002	Marion et al.		
D462,943 S	*	9/2002	Lucaci et al.	D14/206
D469,081 S	*	1/2003	Perszyk et al.	D14/205
D470,129 S	*	2/2003	Hlaz et al.	D14/223

* cited by examiner

Primary Examiner—Paula A. Mortimer

(57) **CLAIM**

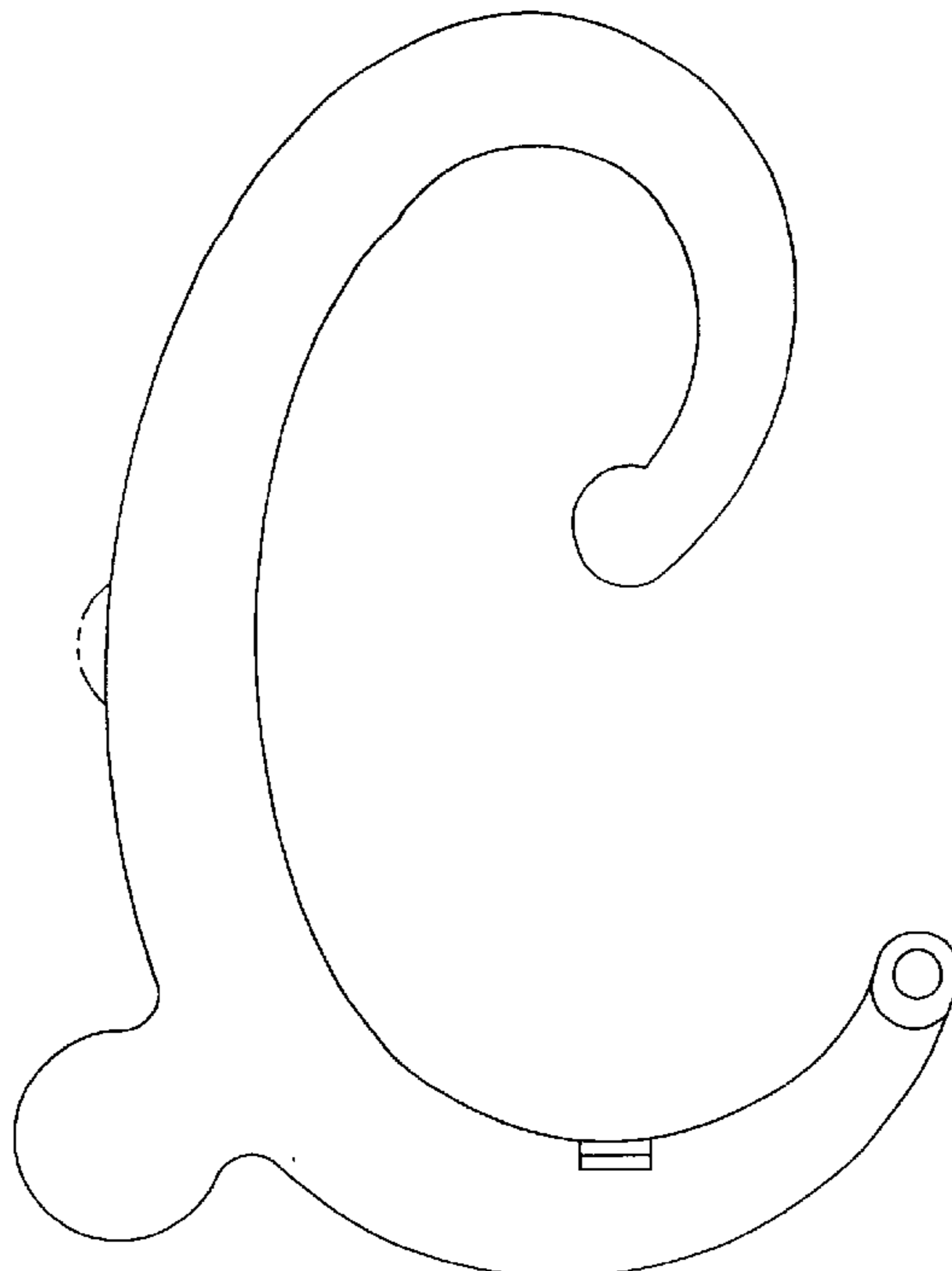
The ornamental design for an ear mounted headset, as shown and described.

DESCRIPTION

A ear mounted headset to be attached to the person's ear to provide a communications link to equipment capable of transmitting and receiving voice data.

FIG. 1 is a front perspective view of an ear mounted headset showing my new design, the broken lines are for illustrative purposes only and forms no part of the claimed design; FIG. 2 is a sectional view taken along line 2—2 FIG. 1; FIG. 3 is a side elevational view the undisclosed opposite side is not part of the claimed design; FIG. 4 is a rear view; and, FIG. 5 is a frontal view.

1 Claim, 2 Drawing Sheets



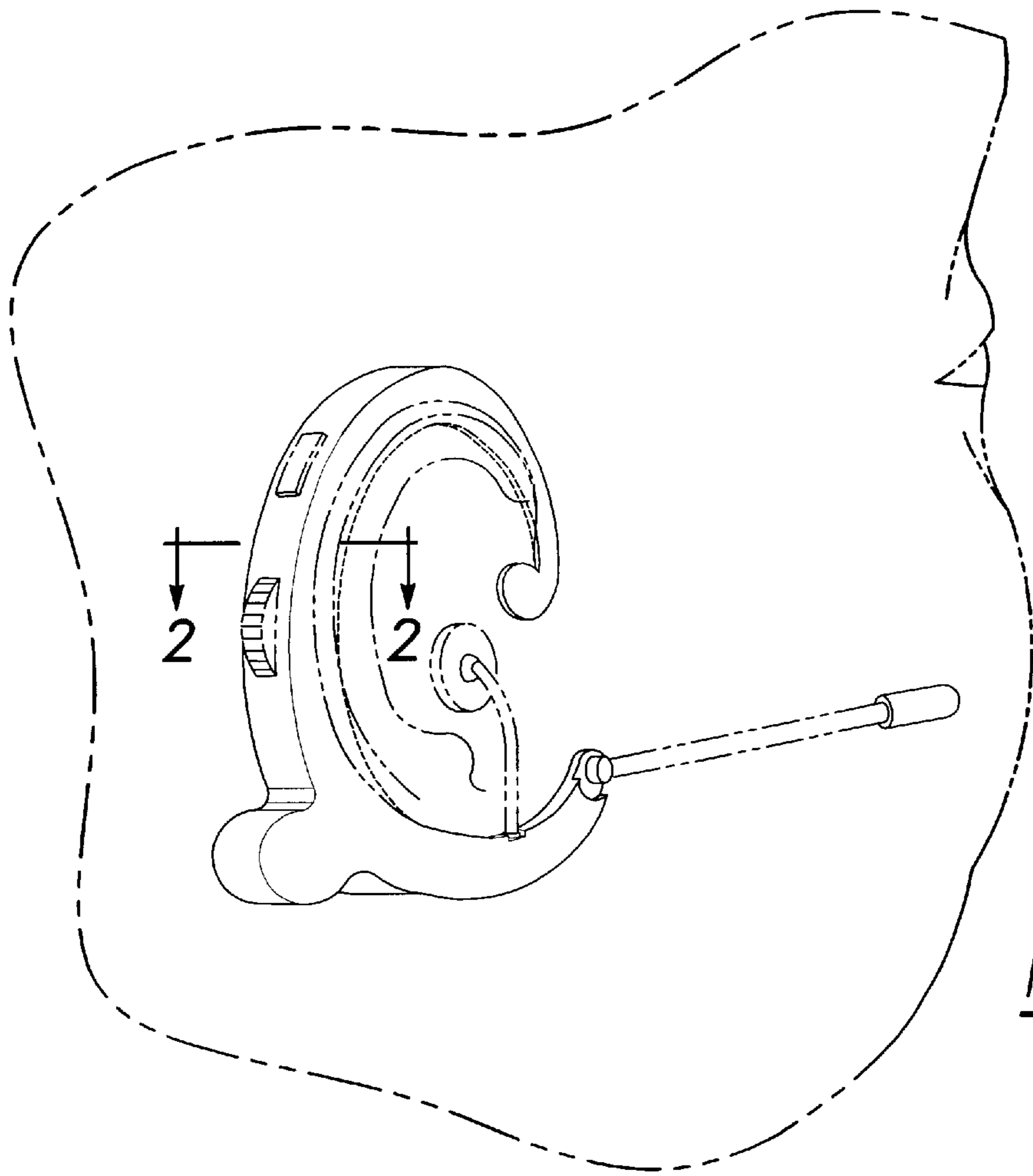


Fig-1

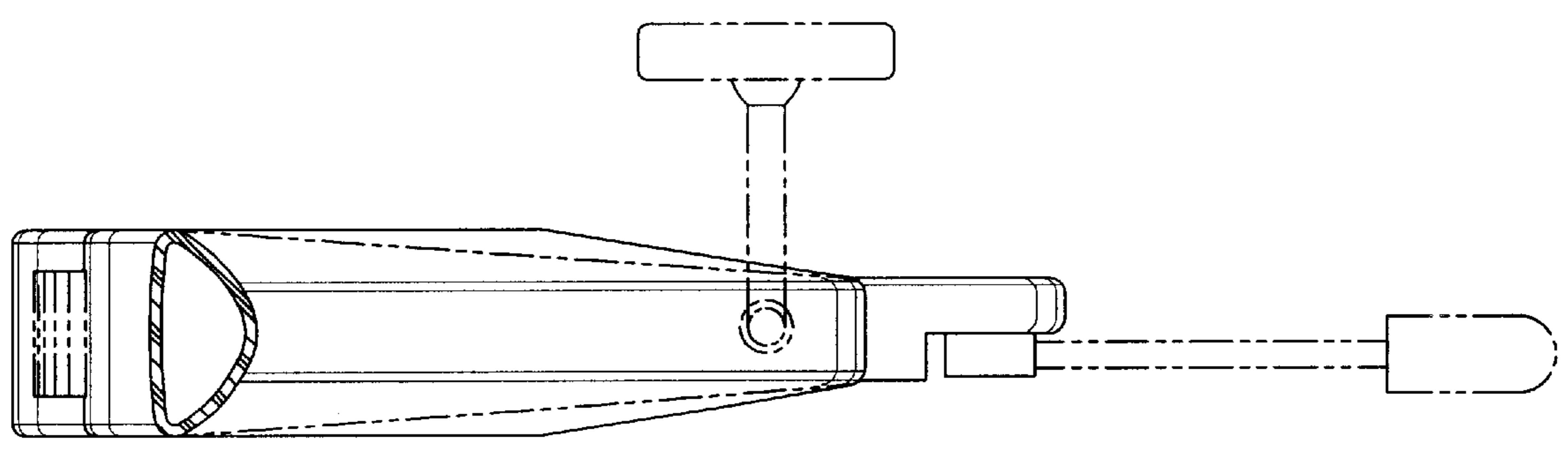


Fig-2

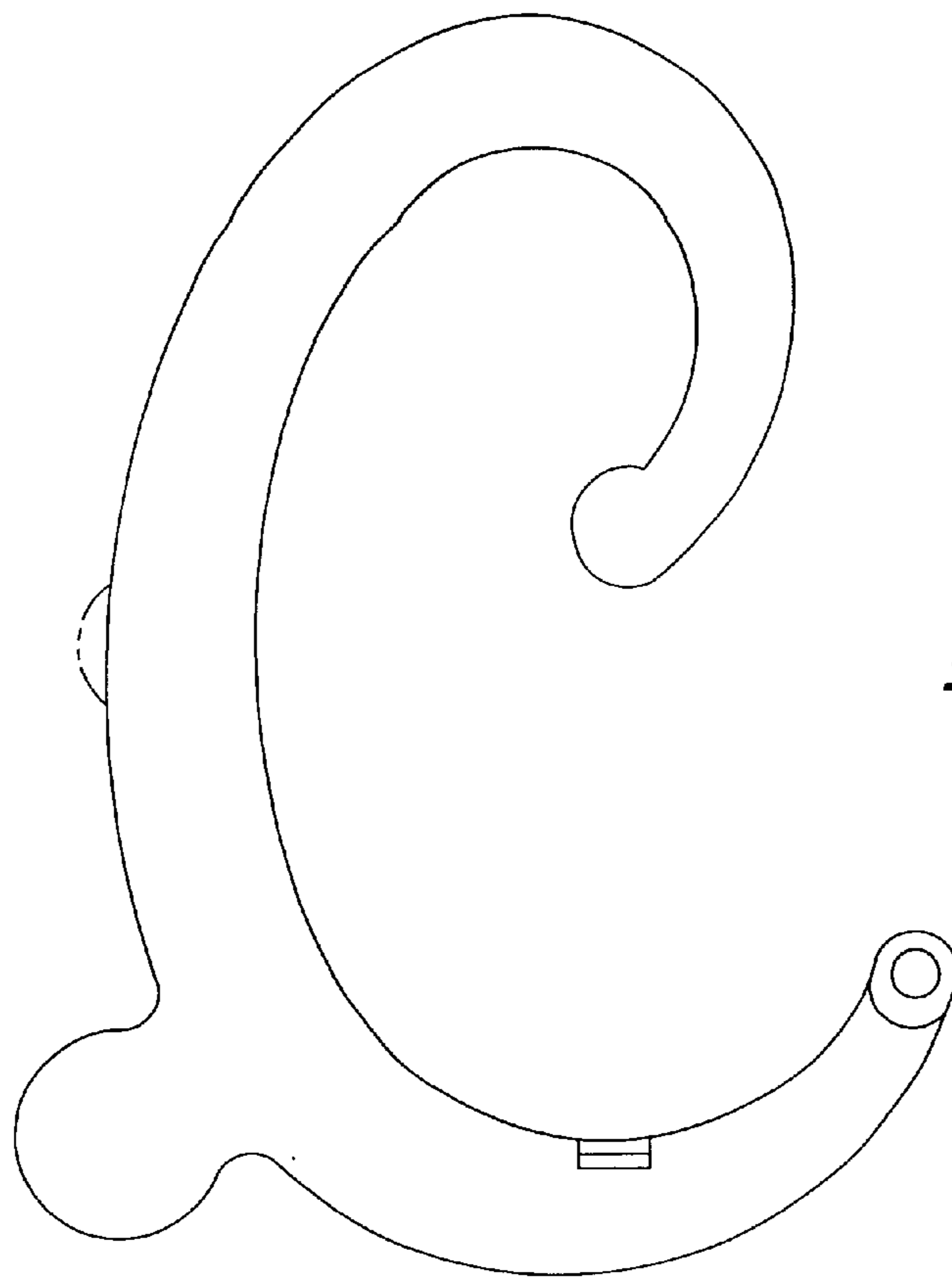


Fig-3

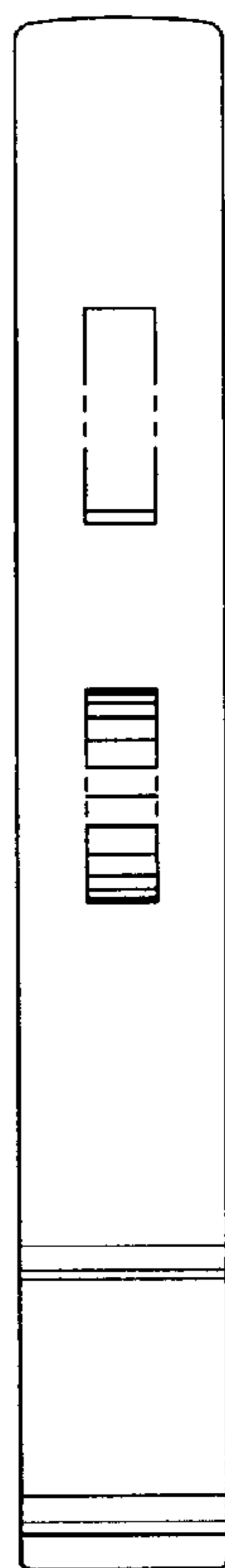


Fig-4

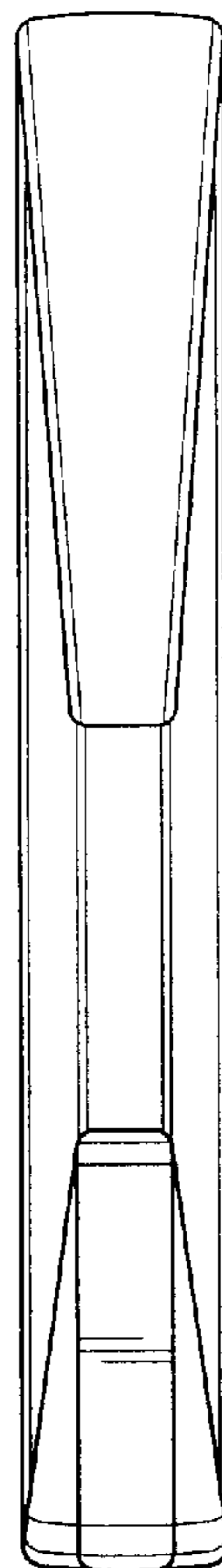


Fig-5