



US00D479224S

(12) **United States Design Patent**
Jeong

(10) **Patent No.: US D479,224 S**

(45) **Date of Patent: ** *Sep. 2, 2003**

(54) **DETACHABLE HELMET-MOUNTED COMMUNICATIONS SYSTEM**

(75) Inventor: **Chanyoung Jeong**, Cerritos, CA (US)

(73) Assignee: **Vigor Sport**, Cerritos, CA (US)

(*) Notice: This patent is subject to a terminal disclaimer.

(**) Term: **14 Years**

(21) Appl. No.: **29/140,580**

(22) Filed: **Apr. 20, 2001**

(51) **LOC (7) Cl. 14-01**

(52) **U.S. Cl. D14/206**

(58) **Field of Search** 2/205-206, 209, 2/421-423; D14/188, 192, 205-206, 223, 217; D12/158; 181/129-130; 224/269; 379/430, 433; 381/370, 376-381

(56) **References Cited**

U.S. PATENT DOCUMENTS

275,420 A	4/1883	Scribner
1,354,524 A	10/1920	Timmons
1,418,388 A	6/1922	Miessner
2,468,267 A	4/1949	Mondl
3,026,524 A	3/1962	Bixby
3,091,771 A	6/1963	Bixby
3,178,723 A	4/1965	Aileo
3,249,873 A	5/1966	Whittemore et al.
3,273,163 A	9/1966	Andrews, III
3,400,406 A	9/1968	Aileo
3,430,261 A	3/1969	Benner
3,461,463 A	8/1969	Beguin
3,586,977 A	6/1971	Lustig
3,889,190 A	6/1975	Palmer
3,916,312 A	10/1975	Campbell
3,983,602 A	10/1976	Barry
4,109,105 A	8/1978	Von Statten, Jr.
4,357,711 A	* 11/1982	Drefko 2/422
4,471,174 A	9/1984	Nava
4,538,034 A	8/1985	French
4,556,121 A	12/1985	Palmaer et al.

4,788,724 A	* 12/1988	Lazzeroni 2/422
D306,150 S	* 2/1990	Macke D12/158
4,907,582 A	3/1990	Meyerrose
4,977,975 A	12/1990	Lazzeroni et al.
D318,283 S	* 7/1991	Cleveland D14/205 X
5,052,054 A	10/1991	Birum
5,073,947 A	12/1991	Reddemann et al.
RE34,525 E	2/1994	Lazzaroni et al.
5,438,702 A	8/1995	Jackson
5,448,780 A	9/1995	Gath
5,465,421 A	11/1995	McCormick et al.

(List continued on next page.)

OTHER PUBLICATIONS

CH-550 "Motorcycle Communications Headset" by RF Limited © 1999-2000, pp. 1 and 2.

HP-1000 "Motorcycle Microphone" by RF Limited © 1999-2000, pp. 1 and 2.

Primary Examiner—Nanda Bondade

(74) *Attorney, Agent, or Firm*—Oppenheimer Wolff & Donnelly

(57) **CLAIM**

The ornamental design for an detachable helmet-mounted communications system, as shown and described.

DESCRIPTION

FIG. 1 is a front perspective view of a detachable helmet-mounted communications system for a full-face helmet showing my new design.

FIG. 2 is a is a front perspective view of a detachable helmet-mounted communications system for an open-face helmet showing my new design.

FIG. 3 is an enlarged front elevational view thereof;

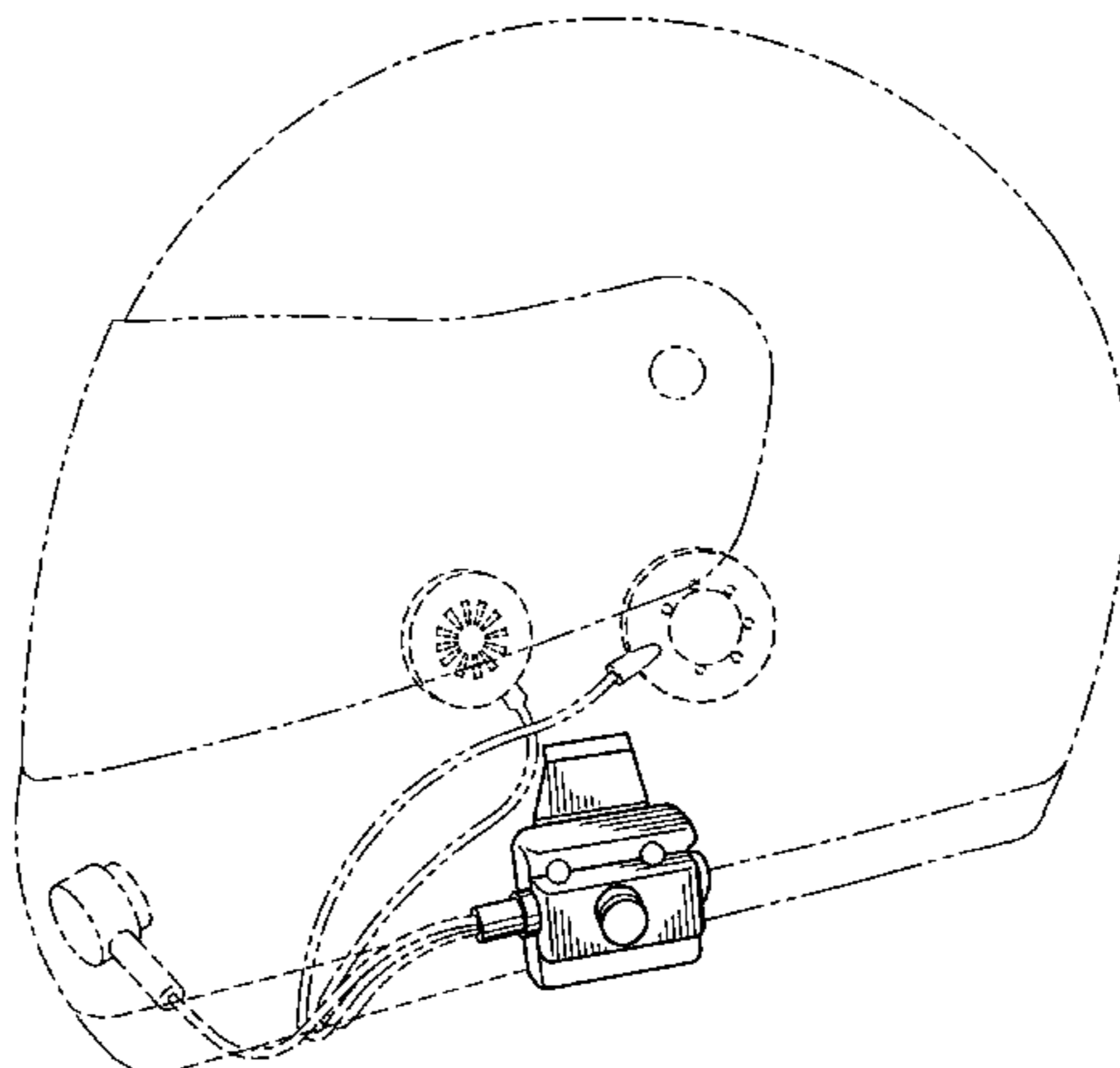
FIG. 4 is a rear elevational view thereof.

FIG. 5 is a side elevational view thereof; and,

FIG. 6 is a side elevational view thereof attached to a motorcycle helmet.

The broken line showing on FIGS 1-4 and 6 is for illustrative purposes only and forms no part of the claimed design.

1 Claim, 3 Drawing Sheets



US D479,224 S

Page 2

U.S. PATENT DOCUMENTS

D371,133 S 6/1996 Andrea
5,590,209 A 12/1996 Pratt et al.
5,956,630 A 9/1999 Mackey
D420,007 S 2/2000 Marshall

6,035,450 A 3/2000 Monsen, III et al.
6,075,857 A 6/2000 Doss, Jr. et al.
6,101,256 A 8/2000 Steelman

* cited by examiner

FIG. 1

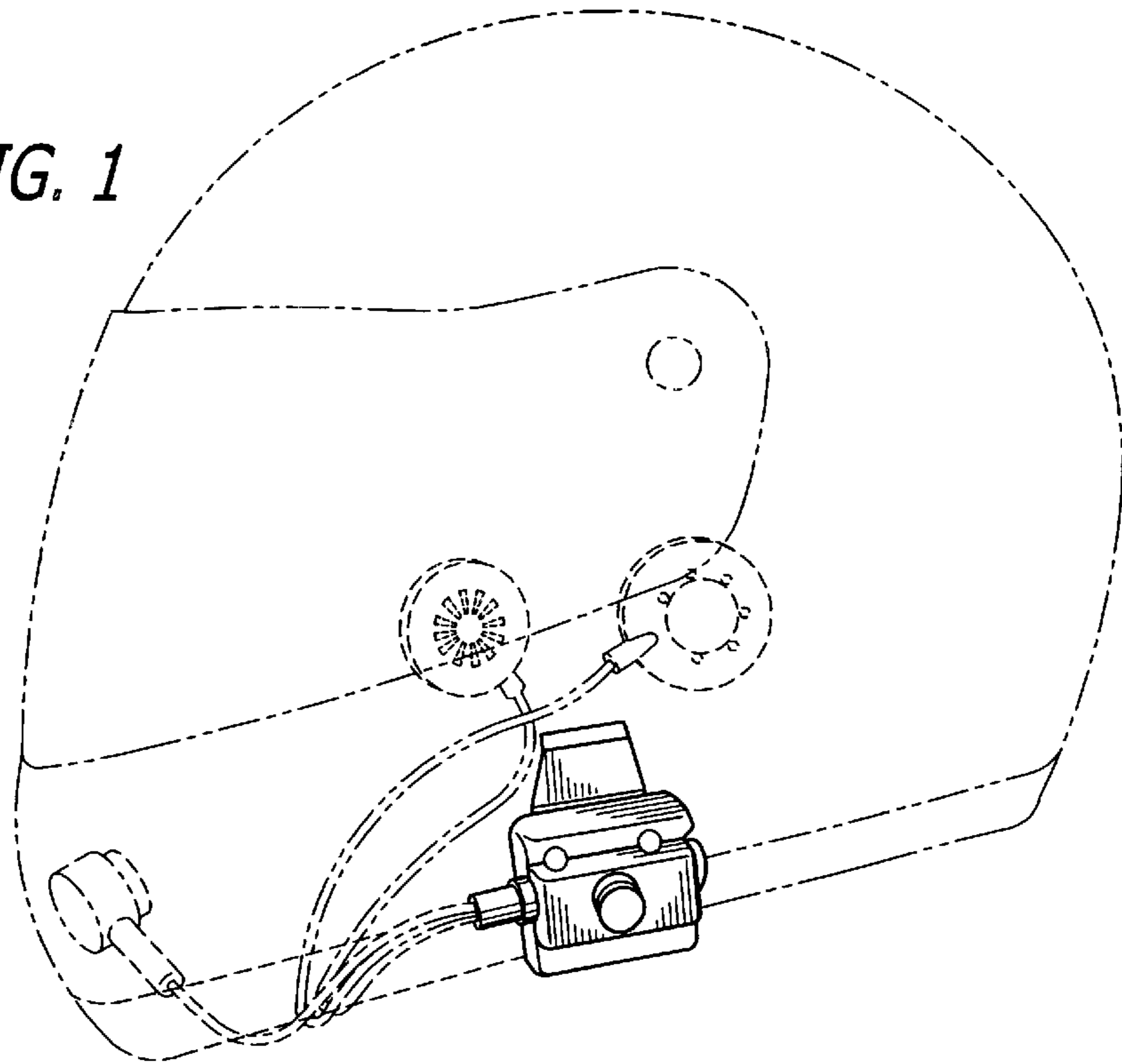


FIG. 2

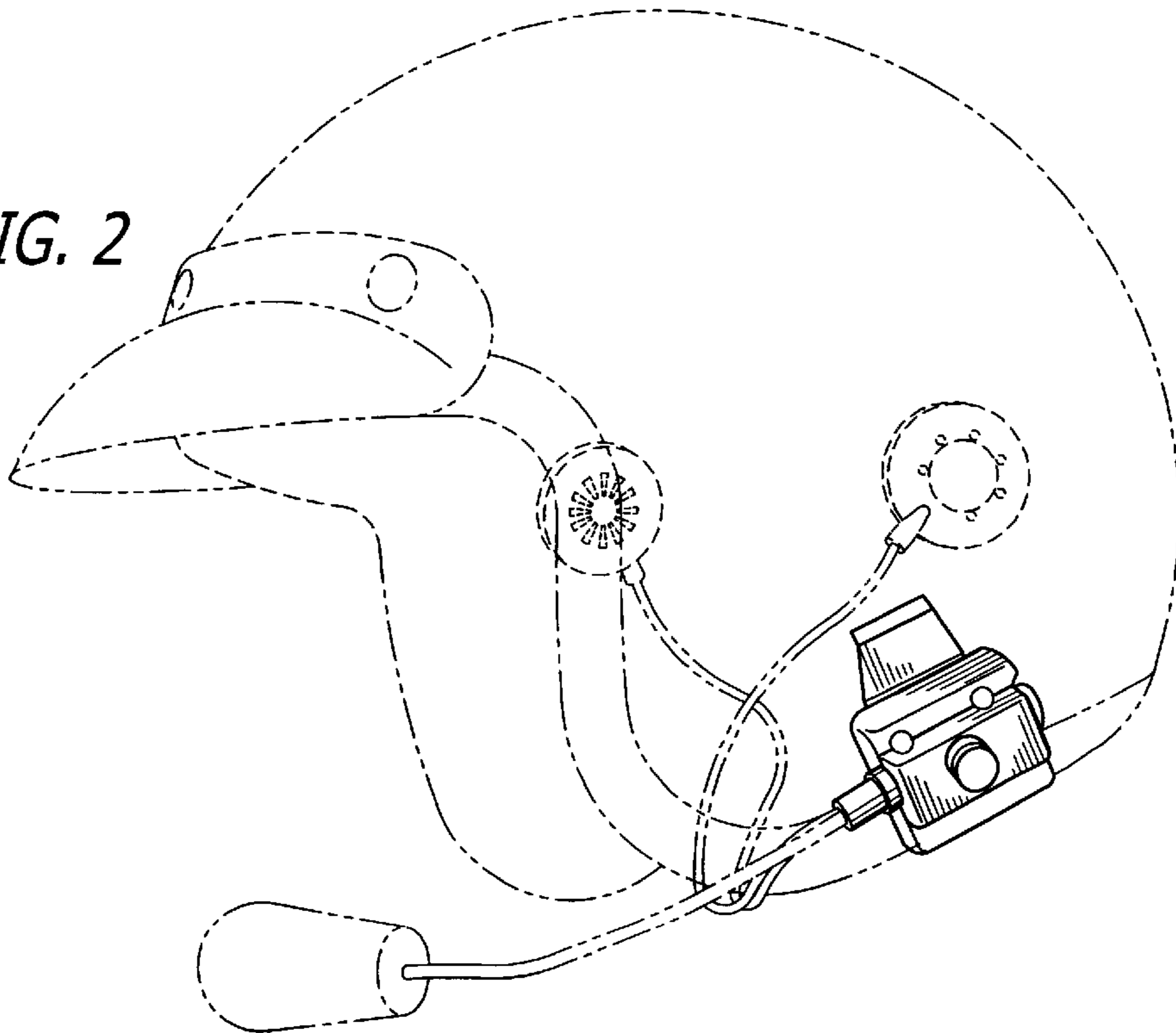


FIG. 3

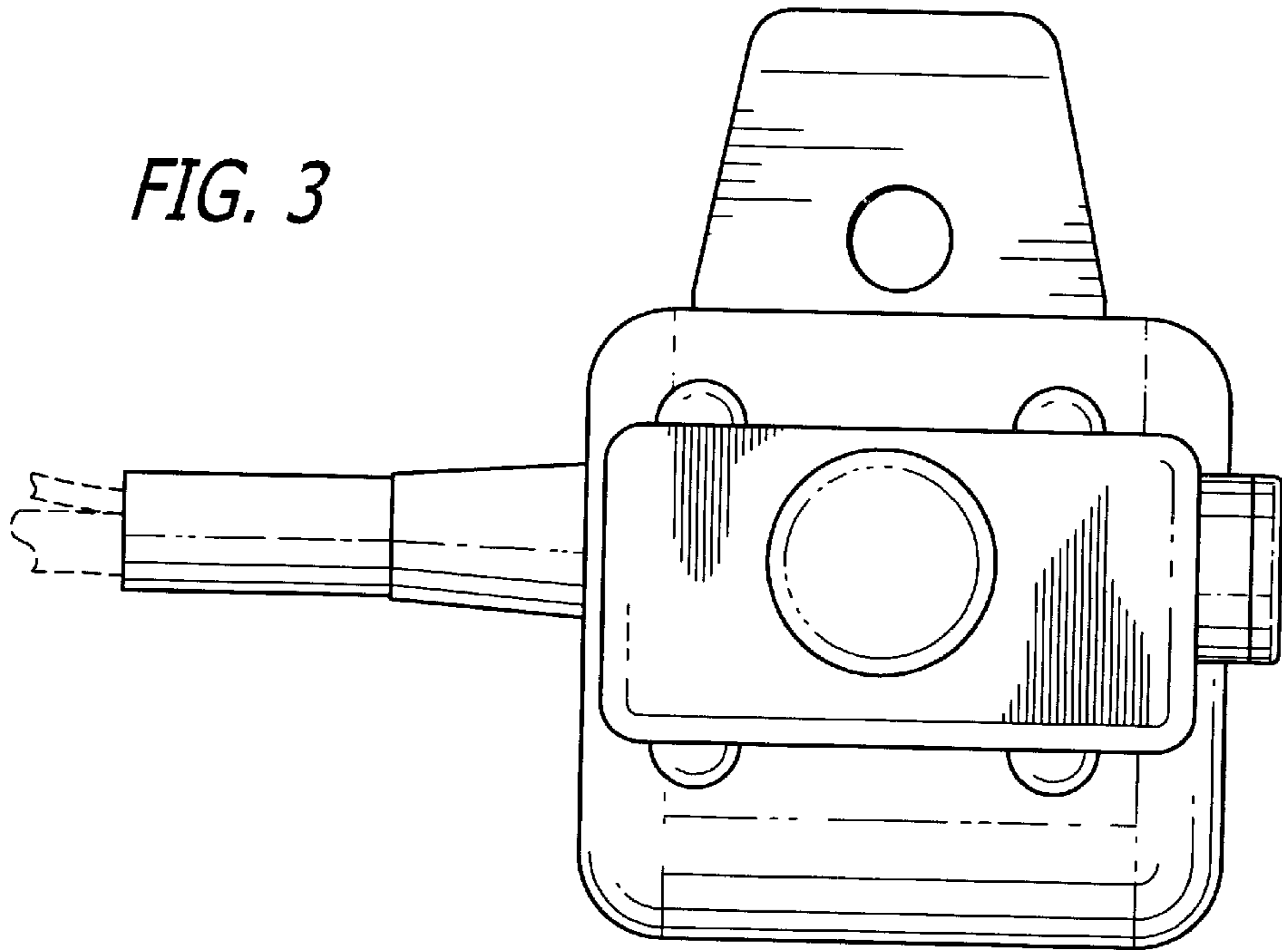
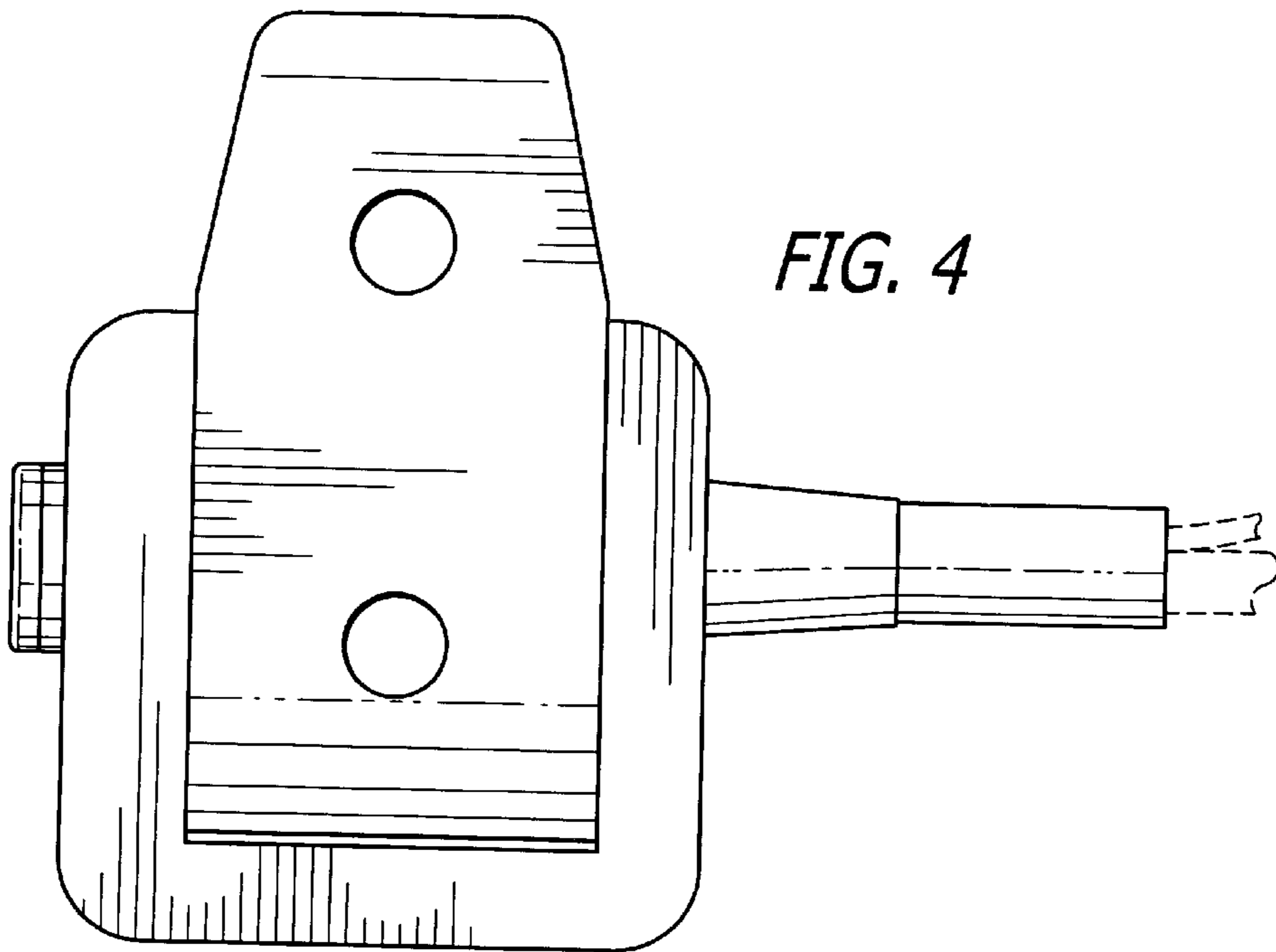


FIG. 4



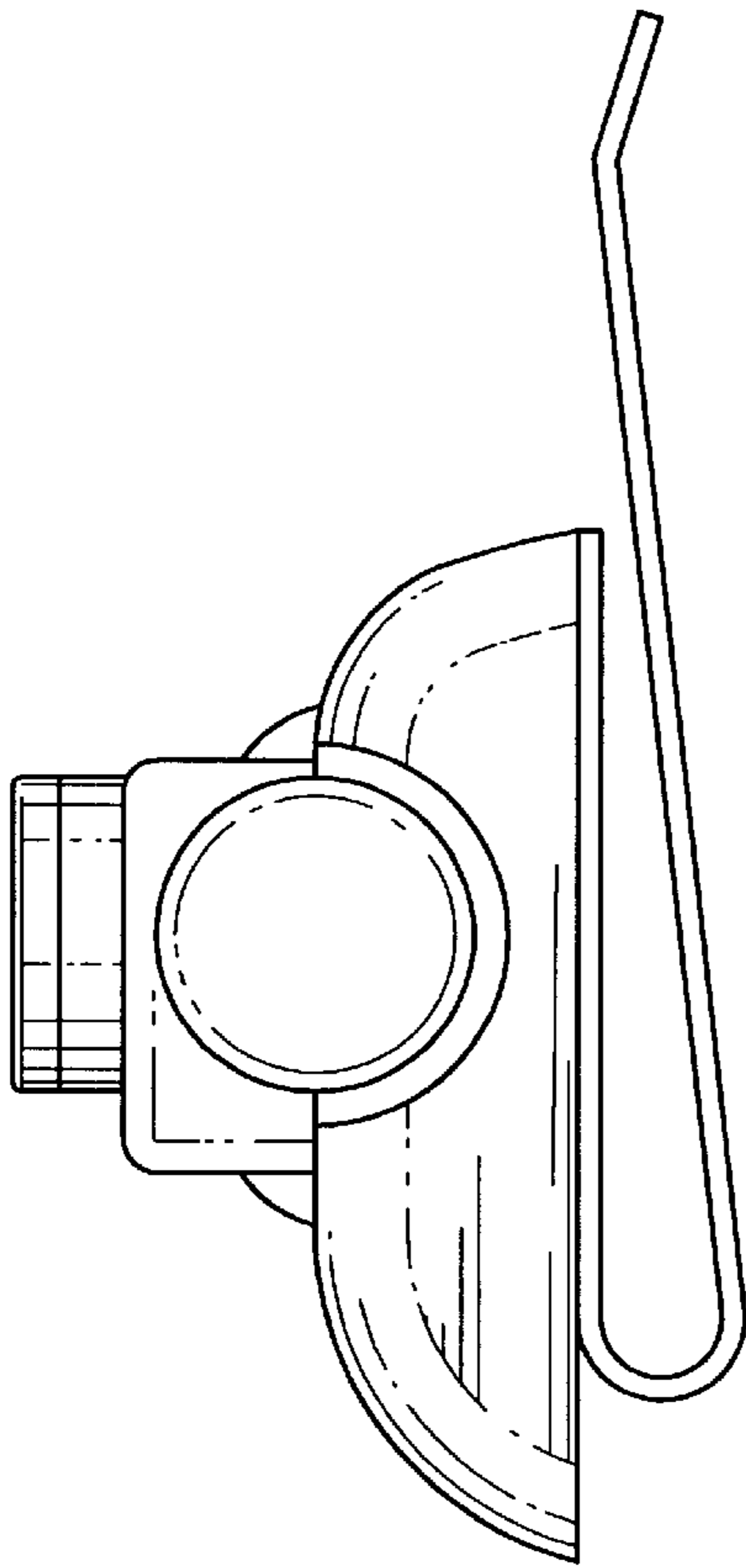


FIG. 5

FIG. 6

