



US00D479223S

(12) **United States Design Patent**
Furusho et al.

(10) **Patent No.:** **US D479,223 S**

(45) **Date of Patent:** **** Sep. 2, 2003**

(54) **PROTECTIVE CAGE AND RADIO COMBINATION**

(75) Inventors: **Kazuo Furusho**, Sai Kung (HK);
Edward Arthur Holland, Tai Po (HK);
Yee Ming Chan, Yuen Long (HK);
Edison Yip, Kowloon (HK); **Ho Kit Chan**, Shatin (HK); **John Joseph Raab**, Brielle, NJ (US)

(73) Assignee: **Emerson Radio Corp.**, Parsippany, NJ (US)

(**) Term: **14 Years**

(21) Appl. No.: **29/149,130**

(22) Filed: **Oct. 2, 2001**

(51) **LOC (7) Cl.** **14-03**

(52) **U.S. Cl.** **D14/196**

(58) **Field of Search** D14/160-165,
D14/167-168, 170-171, 188, 193-198;
455/344-345, 347, 350-351

(56) **References Cited**

U.S. PATENT DOCUMENTS

D254,738 S * 4/1980 Hoshino et al. D14/196

D328,744 S * 8/1992 Kojima D14/163
D348,461 S * 7/1994 Peersmann D14/195
D349,116 S * 7/1994 Peersmann D14/189
D426,224 S * 6/2000 Yoneda D14/168

* cited by examiner

Primary Examiner—Nanda Bondade
(74) *Attorney, Agent, or Firm*—Darby & Darby

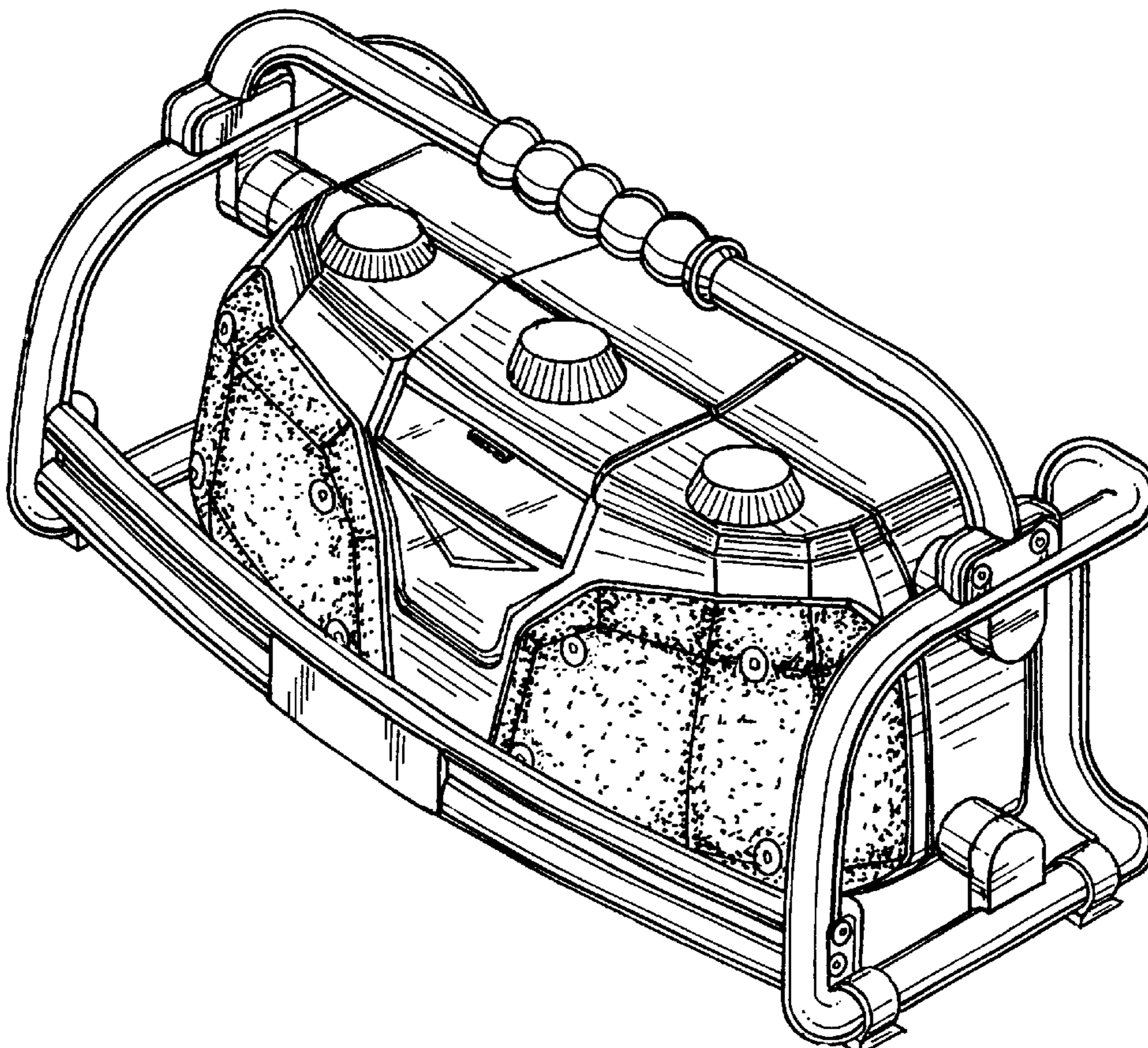
(57) **CLAIM**

The ornamental design for a protective cage and radio combination, as shown and described.

DESCRIPTION

FIG. 1 is a front perspective view of a protective cage and radio combination showing our new design;
FIG. 2 is an enlarged front elevational view thereof;
FIG. 3 is a top plan view thereof;
FIG. 4 is a rear elevational view thereof;
FIG. 5 is a left side view thereof;
FIG. 6 is a right side view thereof; and,
FIG. 7 is a bottom plan view thereof.

1 Claim, 6 Drawing Sheets



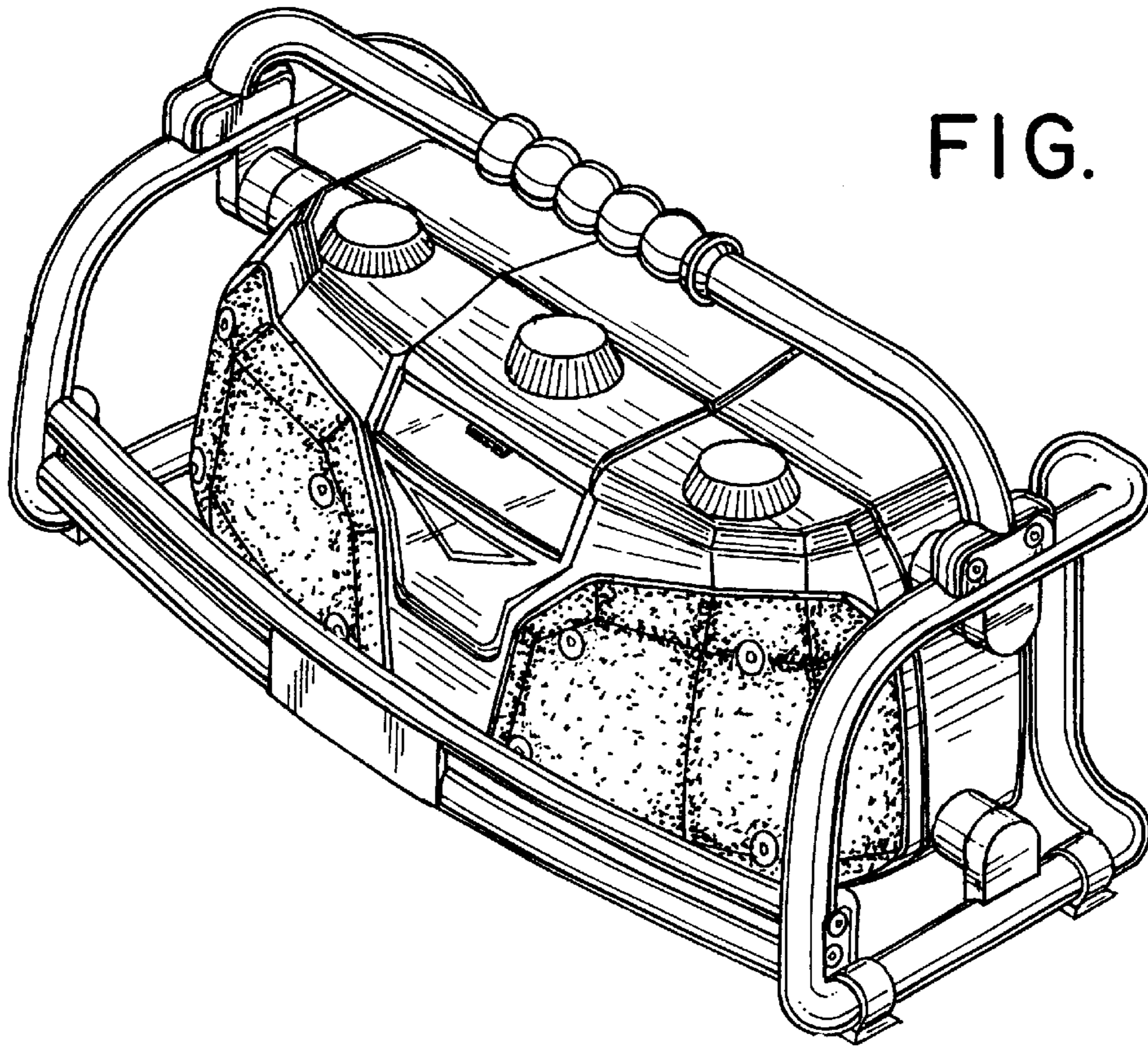


FIG. 1

FIG. 6

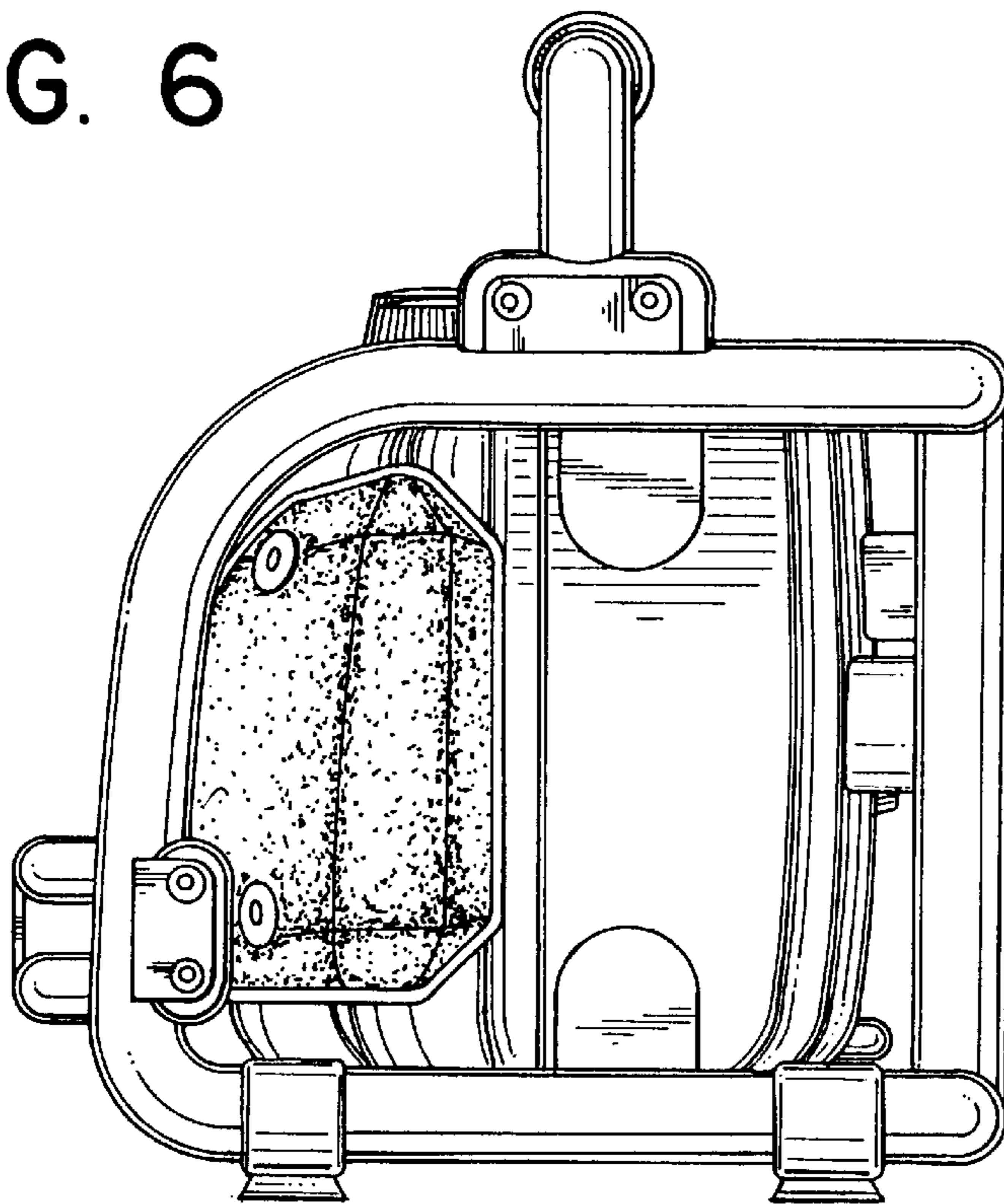


FIG. 2

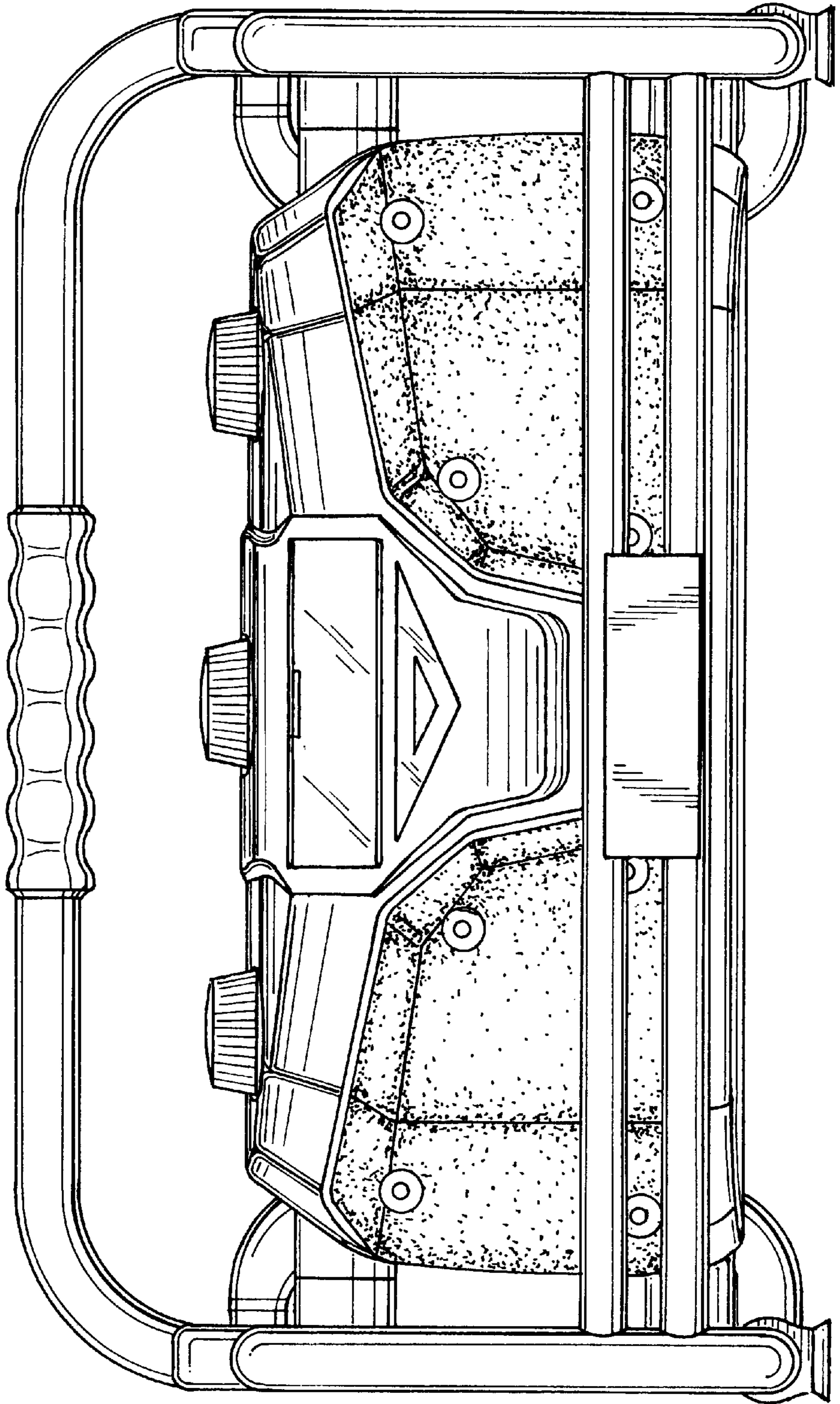


FIG. 3

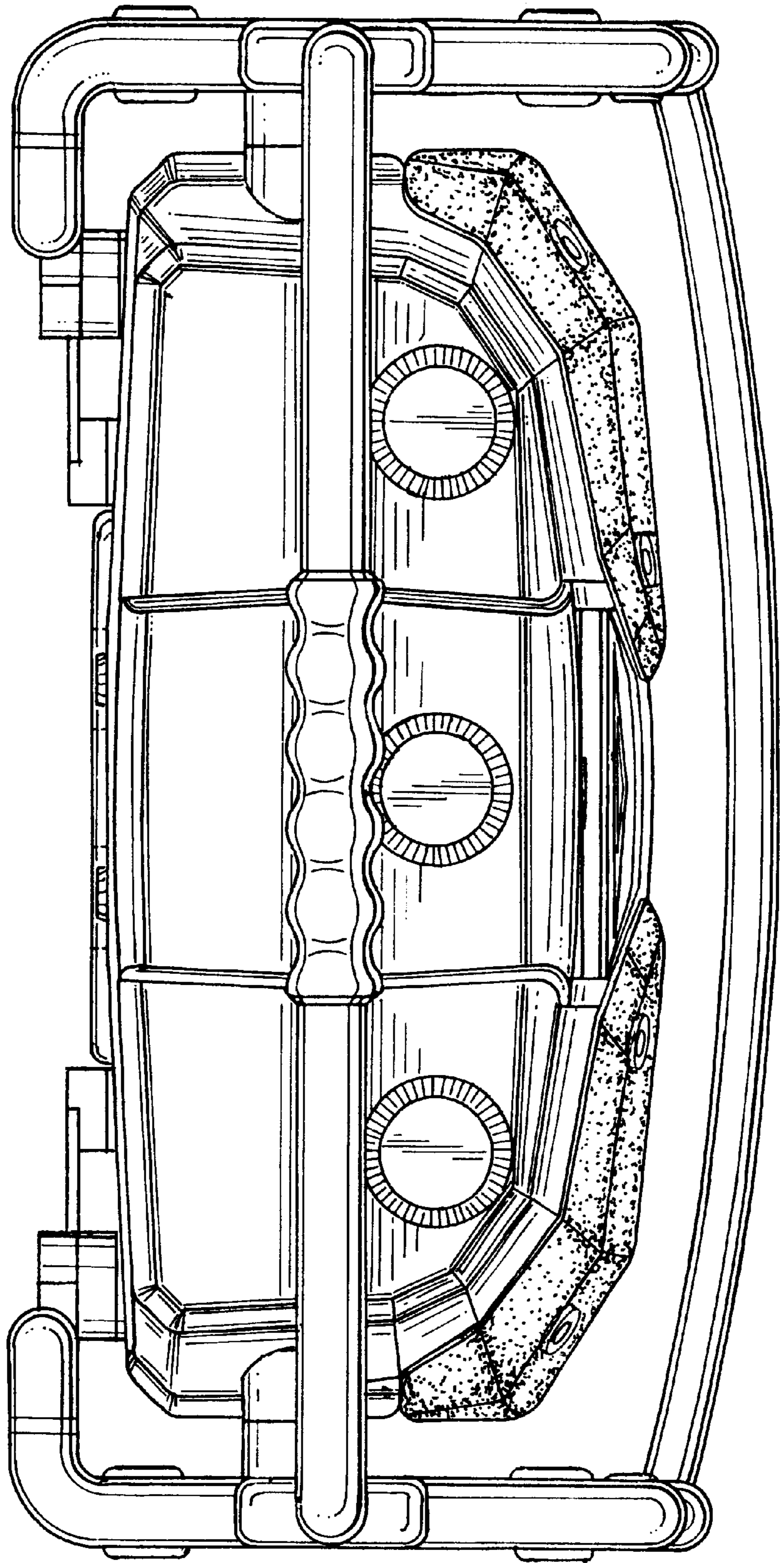


FIG. 4

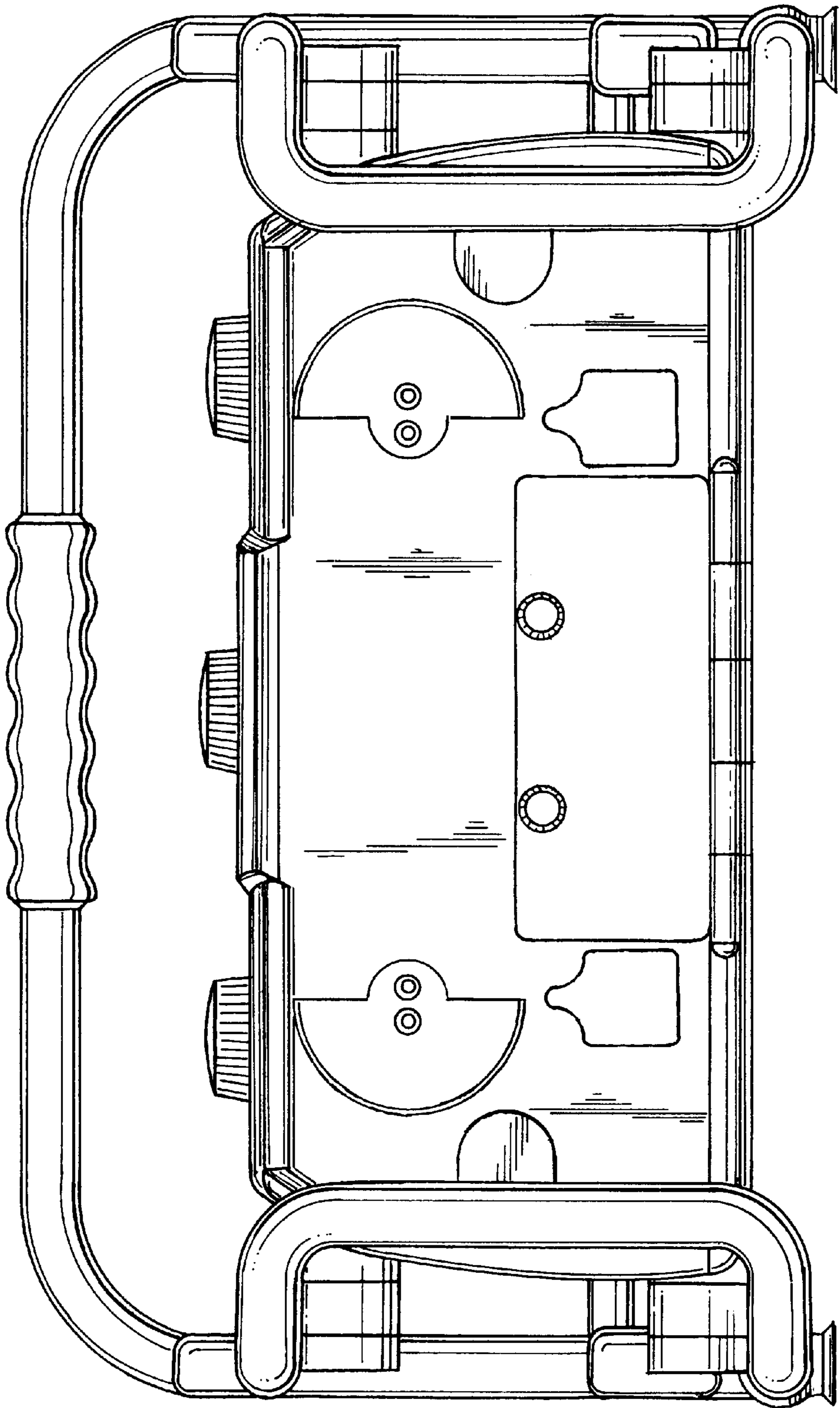


FIG. 5

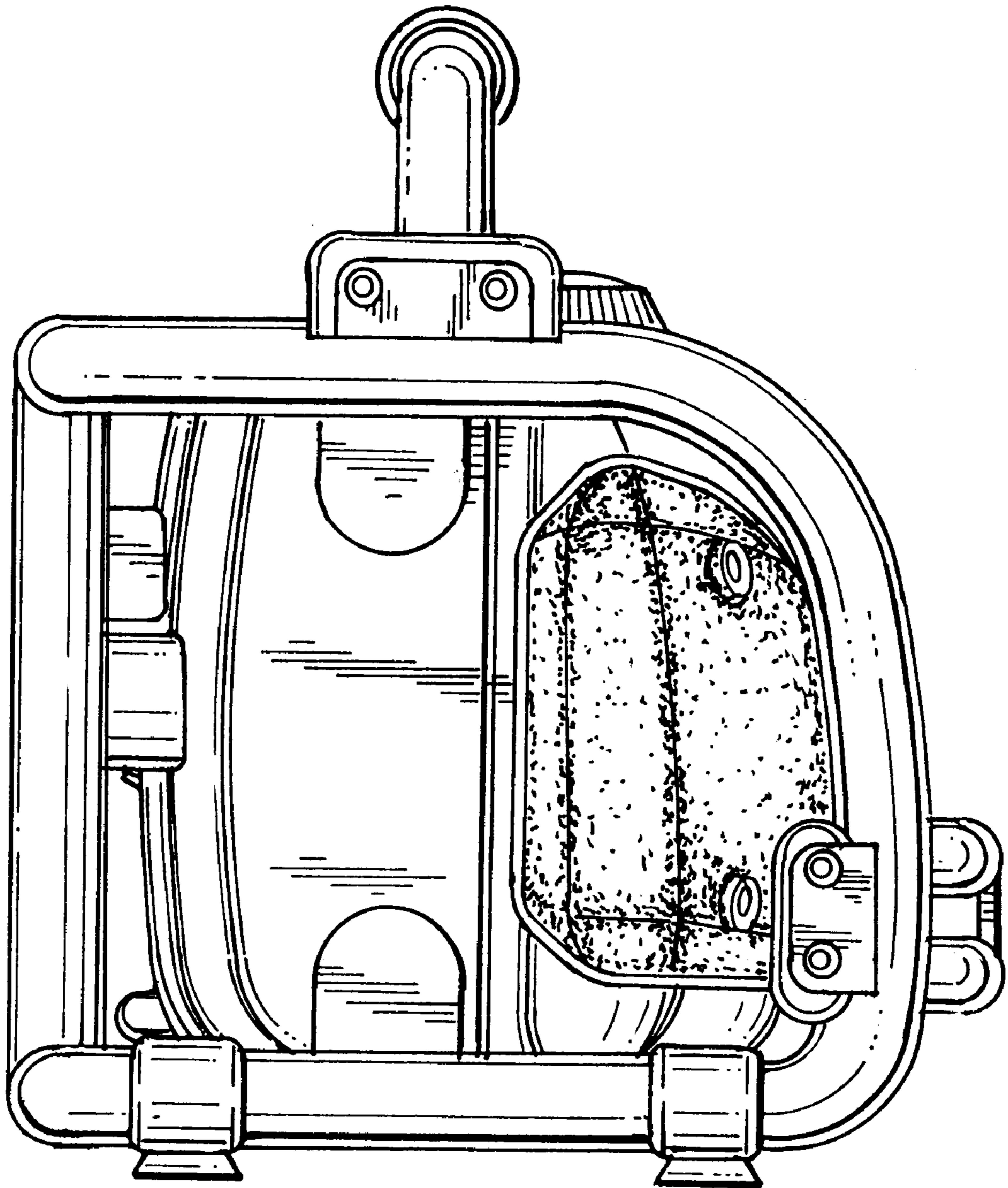


FIG. 7

