



US00D479222S

(12) **United States Design Patent**
Lu

(10) **Patent No.:** **US D479,222 S**

(45) **Date of Patent:** **** Sep. 2, 2003**

(54) **RADIO WITH ELECTRONIC CLOCK**

(76) Inventor: **Yongtai Lu**, Building 3, Siyuan Industrial Zone, Heping Village, Fuyong Town, Shenzhen, Guangdong (CN)

(**) Term: **14 Years**

(21) Appl. No.: **29/173,612**

(22) Filed: **Jan. 2, 2003**

(30) **Foreign Application Priority Data**

Jul. 4, 2002 (HK) 0210989

(51) **LOC (7) Cl.** **14-03**

(52) **U.S. Cl.** **D14/192**

(58) **Field of Search** D14/188, 168, D14/170, 171, 189, 193-198, 299, 217; 455/344, 347, 350, 351

(56) **References Cited**

U.S. PATENT DOCUMENTS

- D304,191 S * 10/1989 Sekine D14/192
- D321,880 S * 11/1991 Emmerling D14/188
- D352,037 S * 11/1994 Maeyama D14/192
- D352,714 S * 11/1994 Ichikawa et al. D14/188
- D379,007 S * 4/1997 Obata D14/162

- D379,627 S * 6/1997 Takahashi D14/188
- D380,757 S * 7/1997 Mak D14/171
- D384,957 S * 10/1997 Lee D14/195
- D395,433 S * 6/1998 Kee D14/192

* cited by examiner

Primary Examiner—Prabhakar Deshmukh
(74) *Attorney, Agent, or Firm*—Alix, Yale & Ristas, LLP

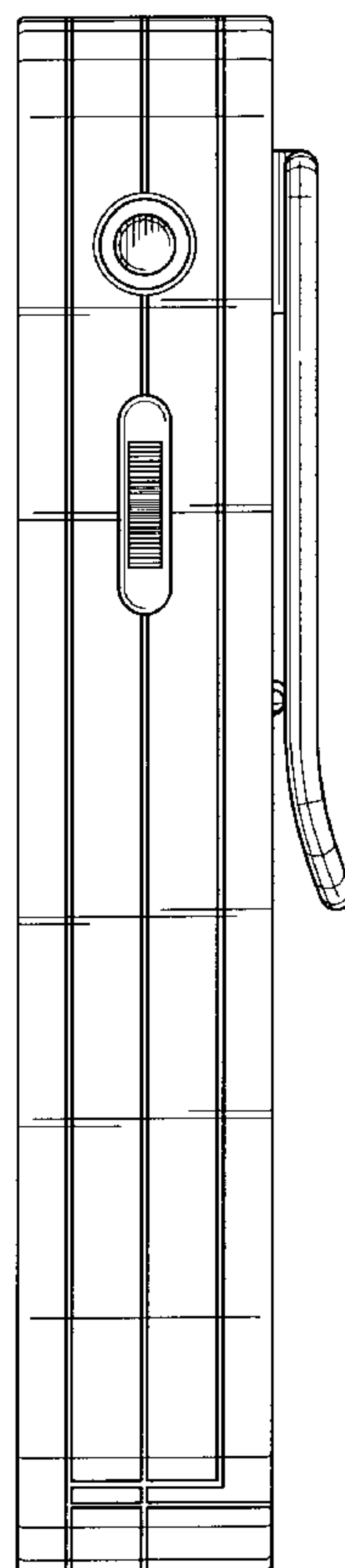
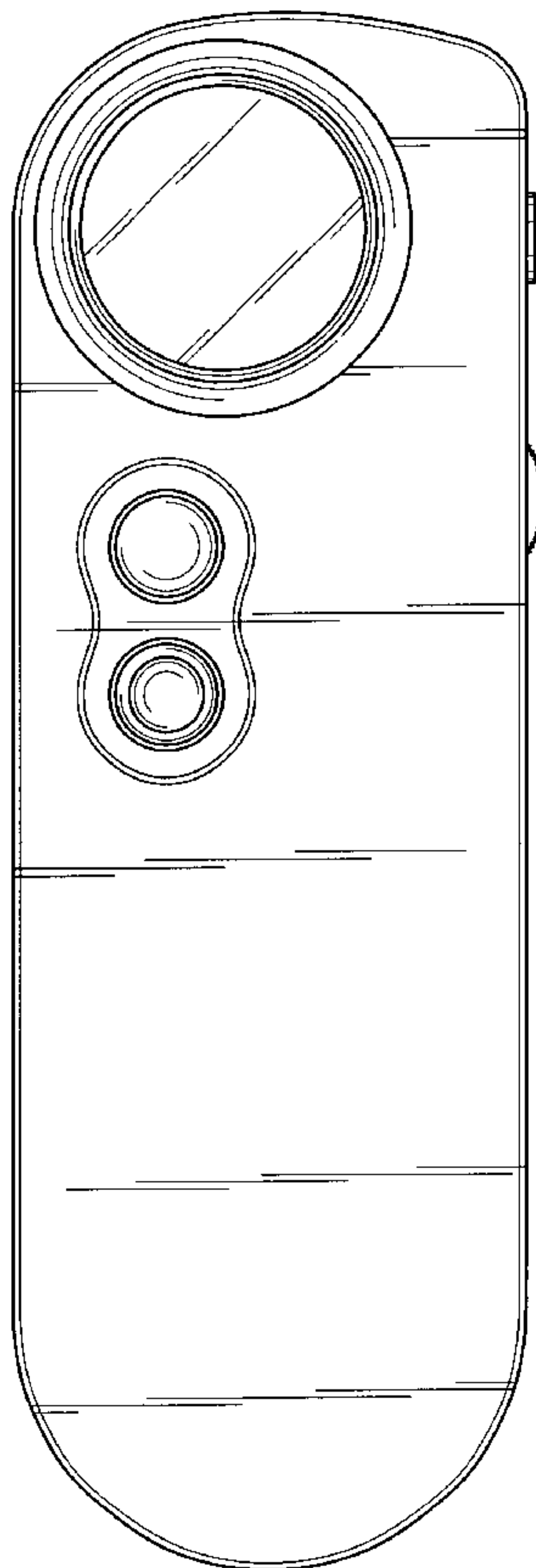
(57) **CLAIM**

The ornamental design for a radio with electronic clock, as shown and described.

DESCRIPTION

FIG. 1 is a front view of the radio with electronic clock showing my new design;
 FIG. 2 is a right side view of the radio with electronic clock of FIG. 1;
 FIG. 3 is a top plan view of the radio with electronic clock of FIG. 1;
 FIG. 4 is a rear view of the radio with electronic clock of FIG. 1;
 FIG. 5 is a left side view of the radio with electronic clock of FIG. 1; and,
 FIG. 6 is a bottom plan view of the radio with electronic clock of FIG. 1.

1 Claim, 2 Drawing Sheets



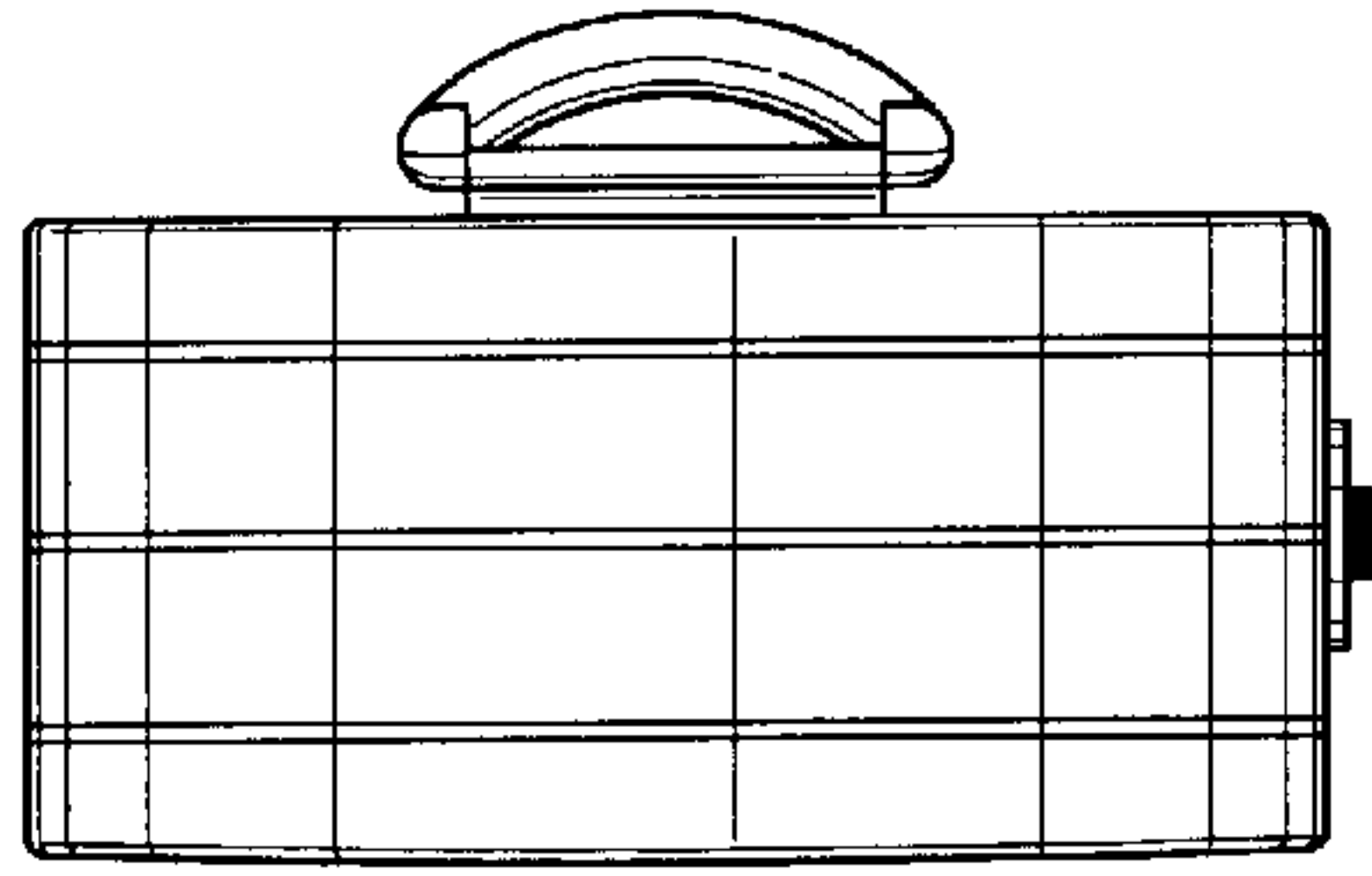


FIG. 3

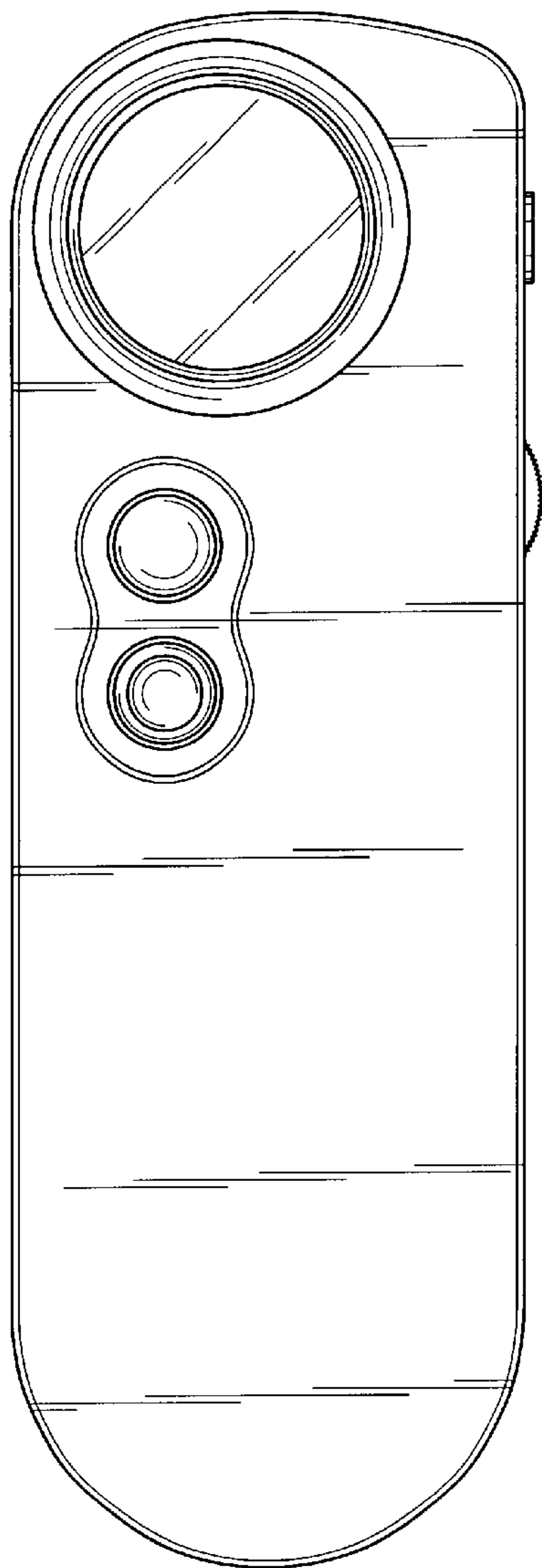


FIG. 1

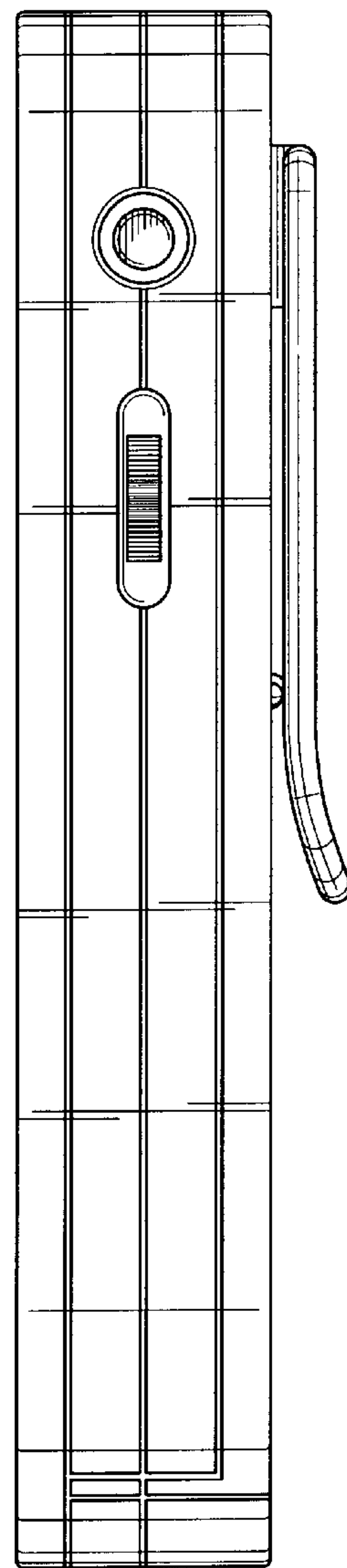


FIG. 2

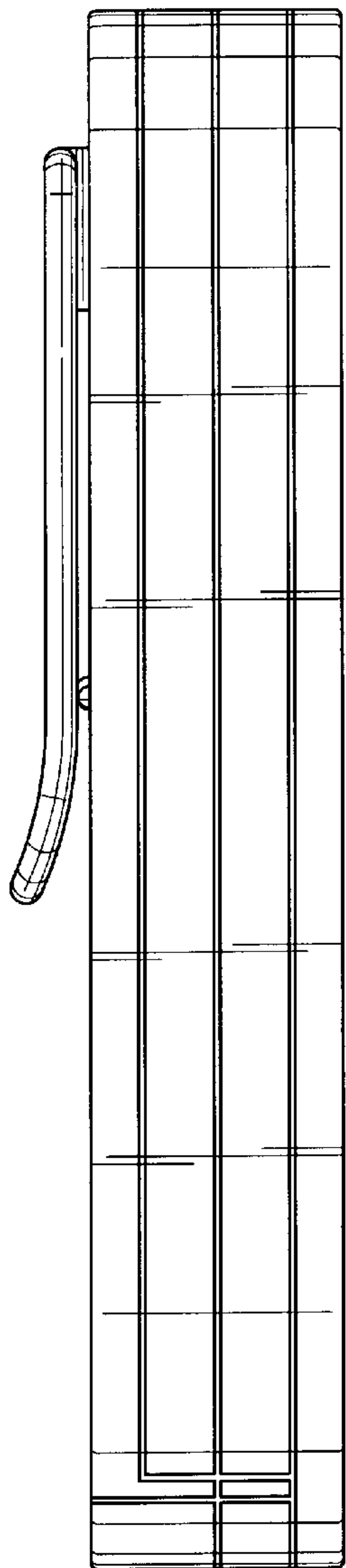


FIG. 5

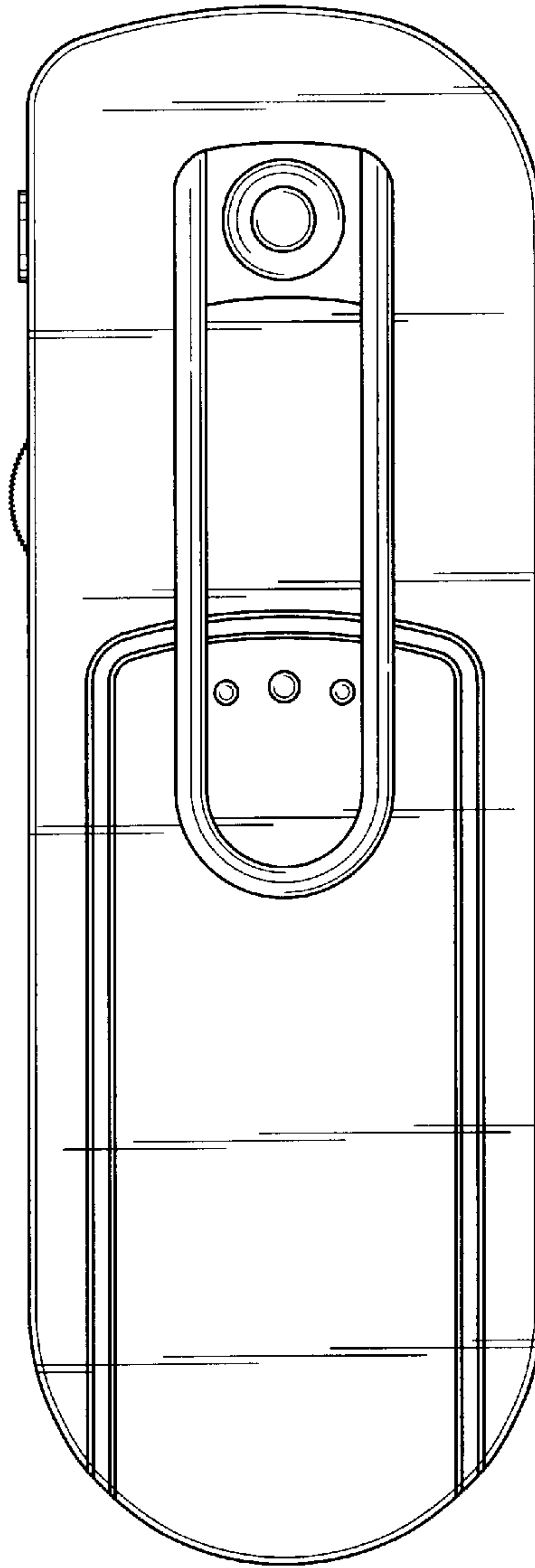


FIG. 4

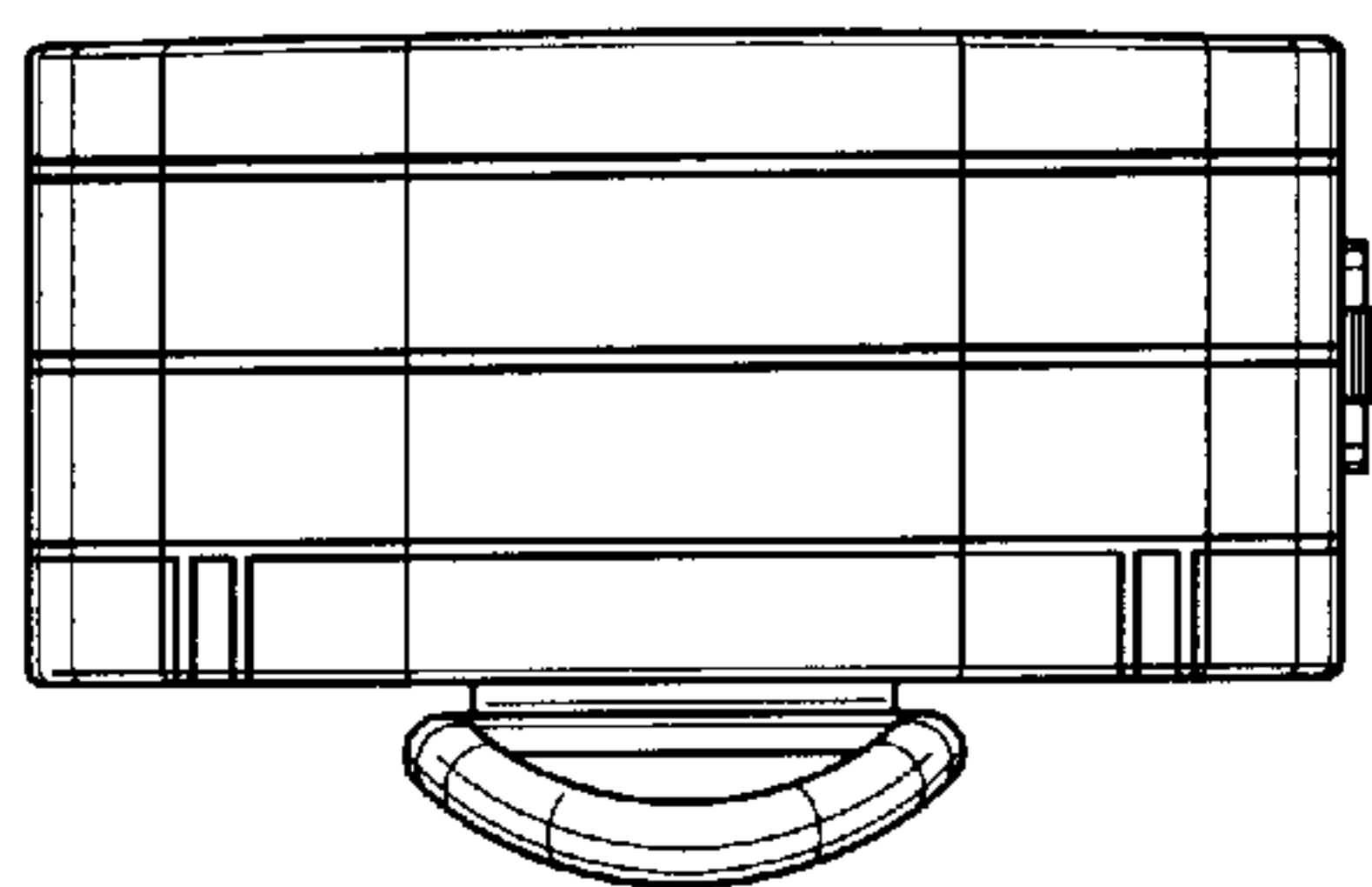


FIG. 6