



US00D479210S

(12) **United States Design Patent**
Hussaini et al.

(10) **Patent No.:** **US D479,210 S**

(45) **Date of Patent:** **** Sep. 2, 2003**

(54) **FRONT FACE OF A DISPLAY PANEL OF AN AUDIO AND VIDEO ACCESSORY FOR AN ELECTRONIC DEVICE**

(75) Inventors: **Saied Hussaini**, Miami, FL (US); **Marc Iacovelli**, Miami, FL (US)

(73) Assignee: **Intec, Inc.**, Miami, FL (US)

(**) Term: **14 Years**

(21) Appl. No.: **29/172,774**

(22) Filed: **Dec. 18, 2002**

Related U.S. Application Data

(63) Continuation of application No. 29/160,777, filed on May 17, 2002.

(51) **LOC (7) Cl.** **14-03**

(52) **U.S. Cl.** **D14/132**

(58) **Field of Search** D12/415-418,
D12/345; D14/125-136, 239, 315, 327,
371, 374-375, 451; 296/37.1, 37.7-37.8,
70; 312/7.2; 340/461, 905, 995; 348/178,
825, 827, 836-838, 840

(56) **References Cited**

U.S. PATENT DOCUMENTS

D288,321 S	*	2/1987	Ohtsu	D14/132
4,646,158 A	*	2/1987	Ohno et al.	D14/132
D297,536 S	*	9/1988	Ohtsu	D14/132
5,825,614 A	*	10/1998	Kim	361/683
D437,837 S	*	2/2001	Harrison et al.	D14/132
D441,352 S	*	5/2001	Kuo	D14/217
D454,122 S	*	3/2002	Hori et al.	D14/132

* cited by examiner

Primary Examiner—Nanda Bondade
(74) *Attorney, Agent, or Firm*—Liniak, Berenato & White

(57) **CLAIM**

The ornamental design for an front face of a display panel of an audio and video accessory for an electronic device, as shown and described.

DESCRIPTION

FIG. 1 is a front view of the front face of a display panel of an audio and video accessory for an electronic device according to the present invention.

FIG. 2 is a rear view of the front face of a display panel of an audio and video accessory for an electronic device of FIG. 1.

FIG. 3 is a left side view of the front face of a display panel of an audio and video accessory for an electronic device of FIG. 1.

FIG. 4 is a right side view of the front face of a display panel of an audio and video accessory for an electronic device of FIG. 1.

FIG. 5 is a top view of the front face of a display panel of an audio and video accessory for an electronic device of FIG. 1.

FIG. 6 is a bottom view of the front face of a display panel of an audio and video accessory for an electronic device of FIG. 1.

FIG. 7 is a top view of the front face of a display panel of an audio and video accessory for an electronic device of FIG. 1 with the display in a closed position; and,

FIG. 8 is a reduced front and left perspective view of front face of a display panel of an audio and video accessory for an electronic device according to the present invention.

Portions of the design shown in dashed lines form no part of the claimed invention.

1 Claim, 7 Drawing Sheets

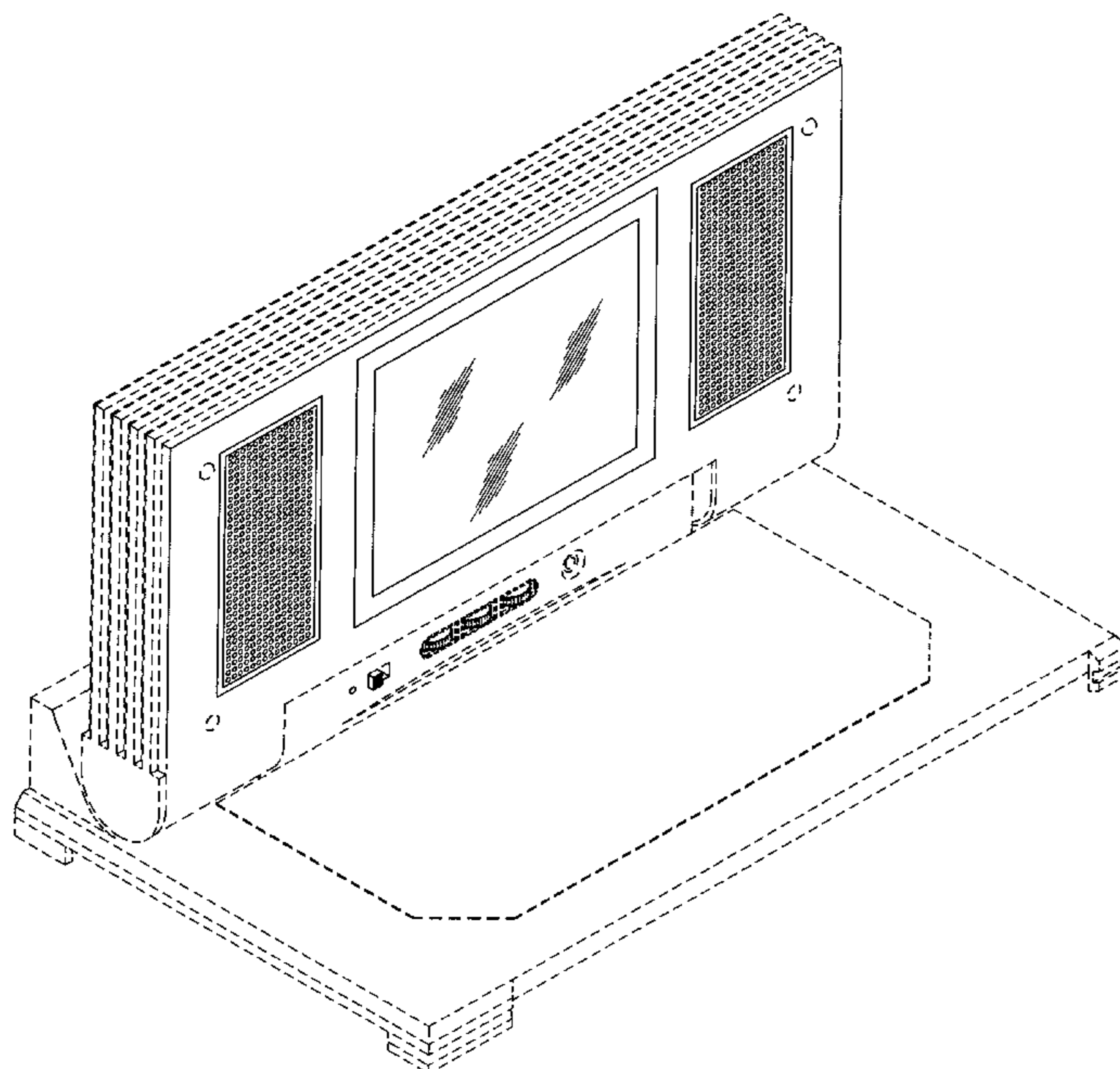


Fig. 1

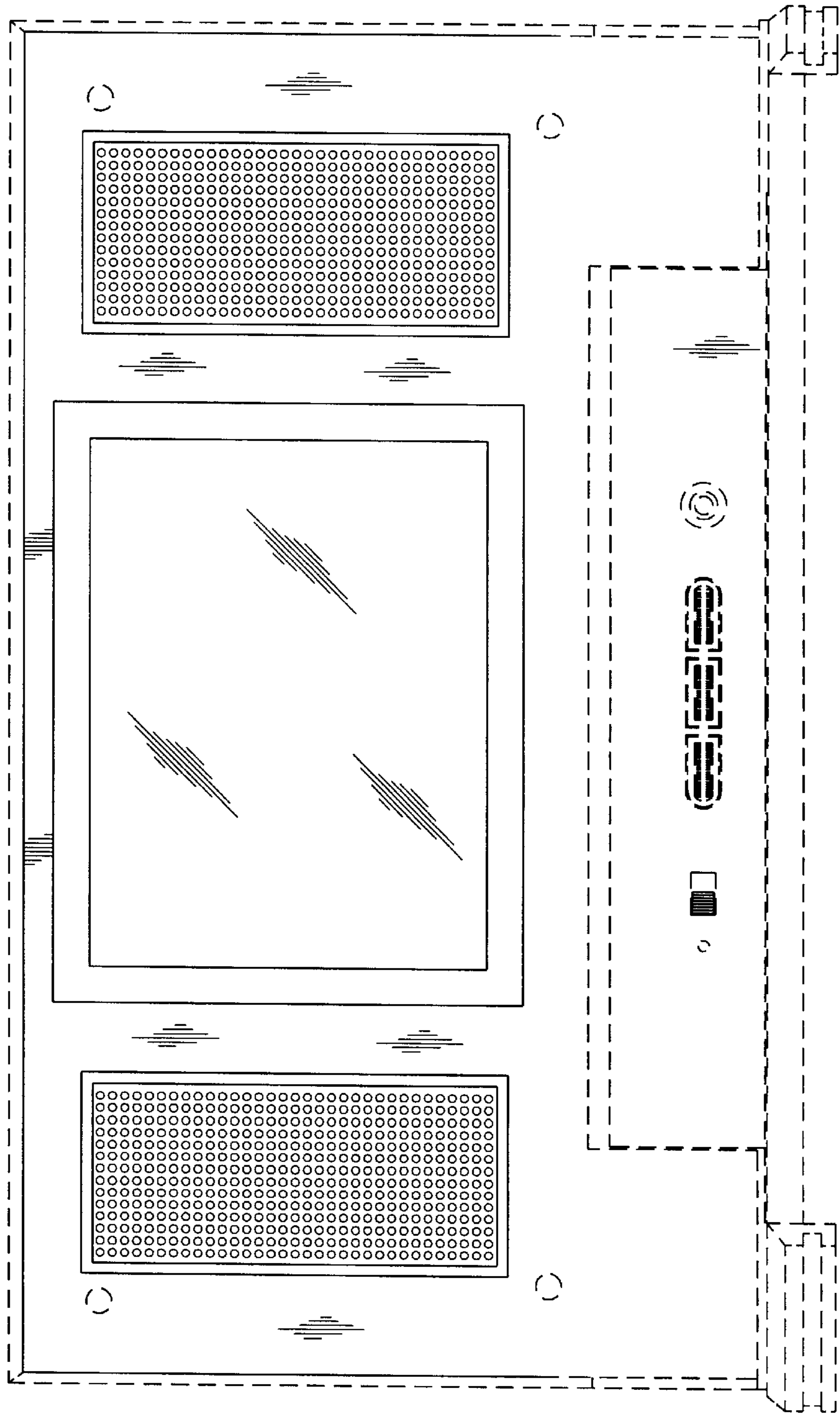


Fig. 2

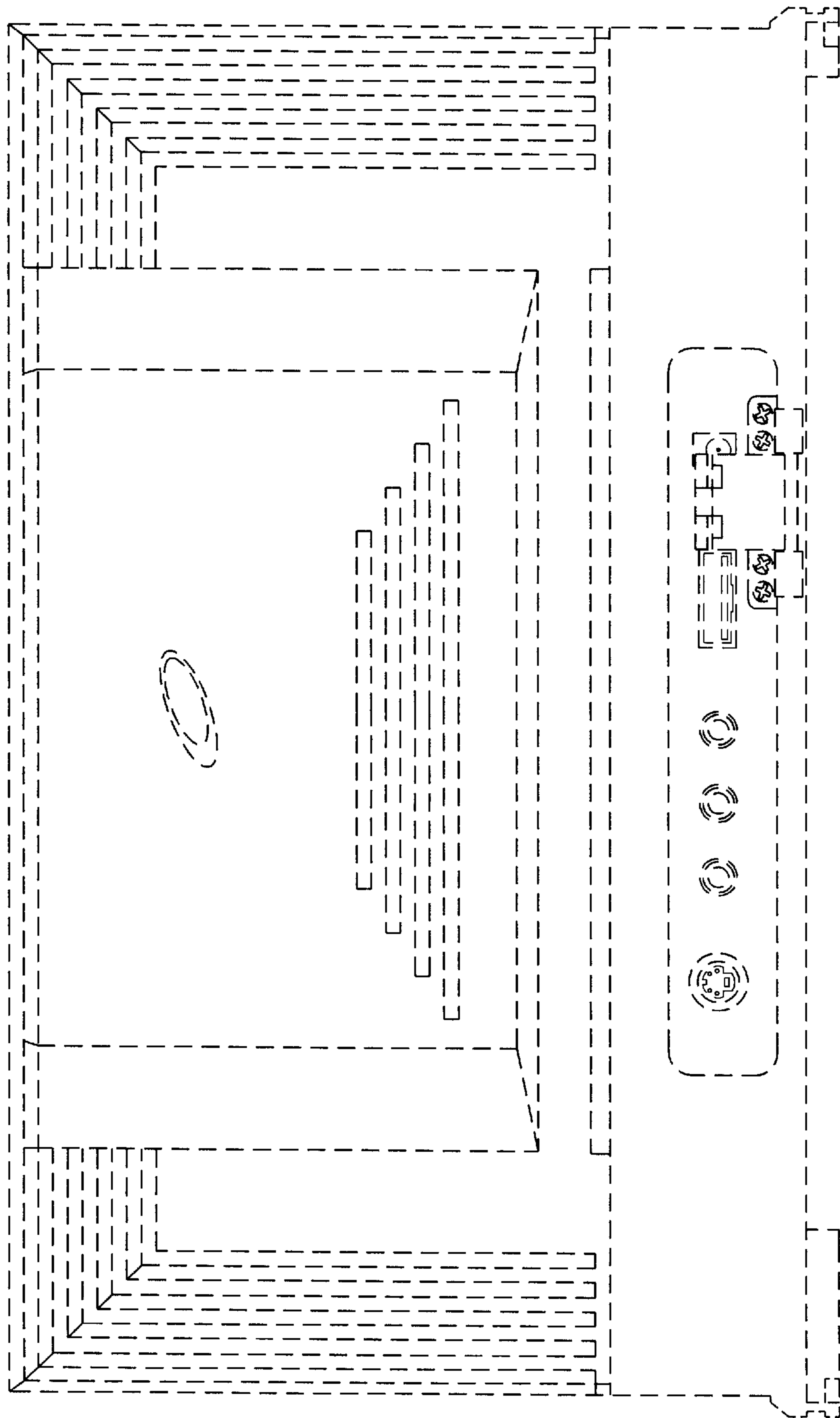


Fig. 4

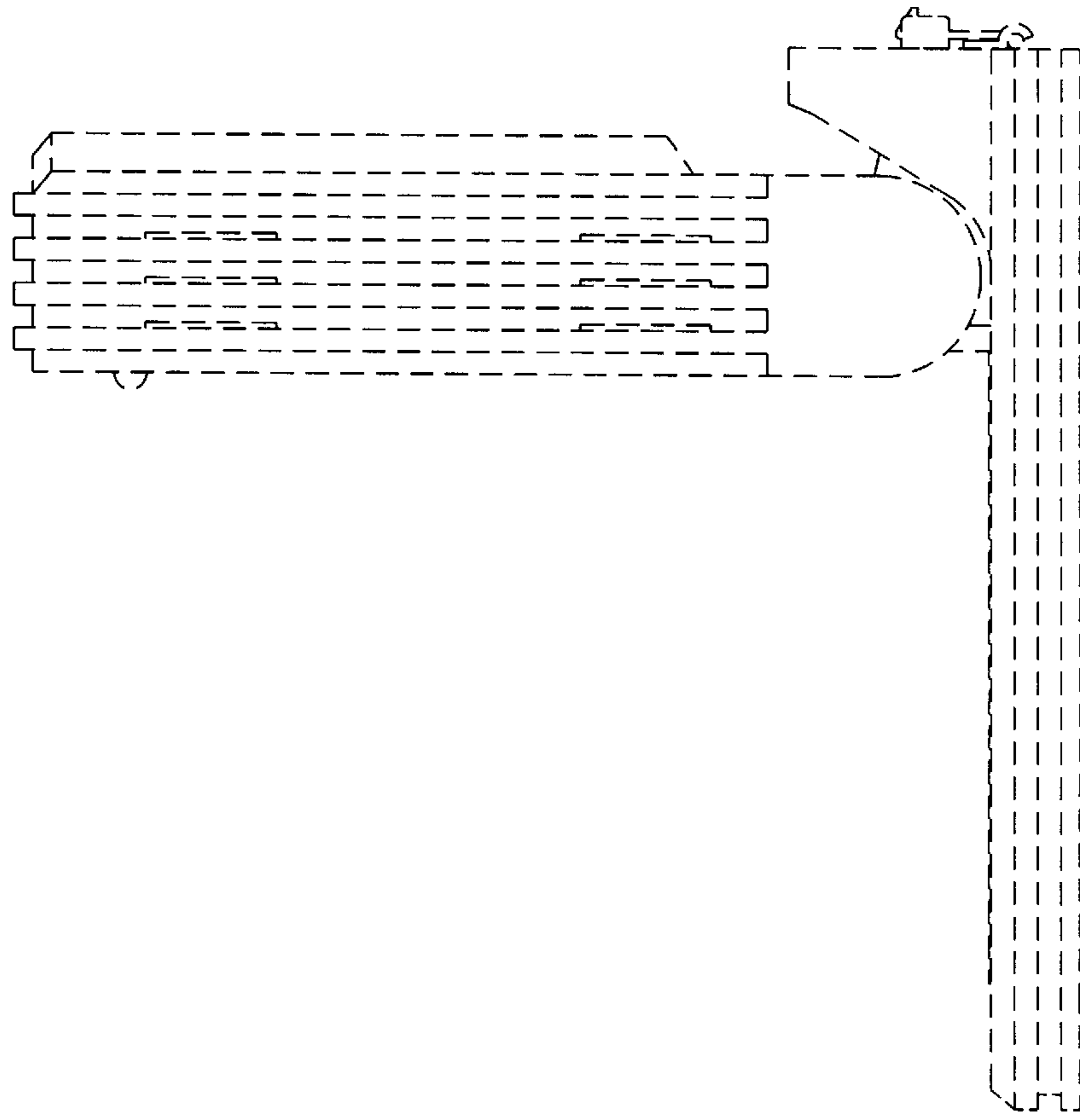


Fig. 3

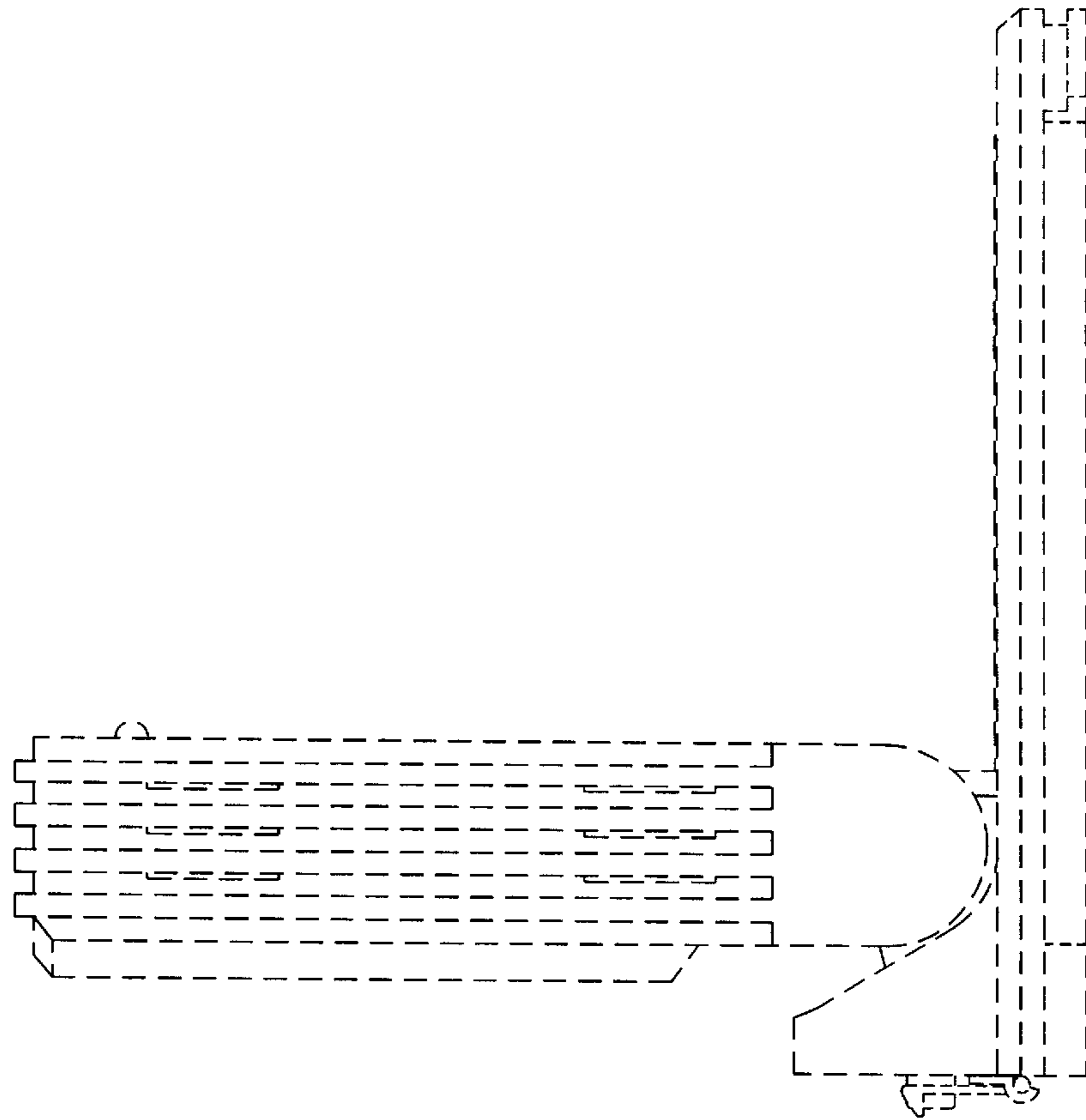


Fig. 5

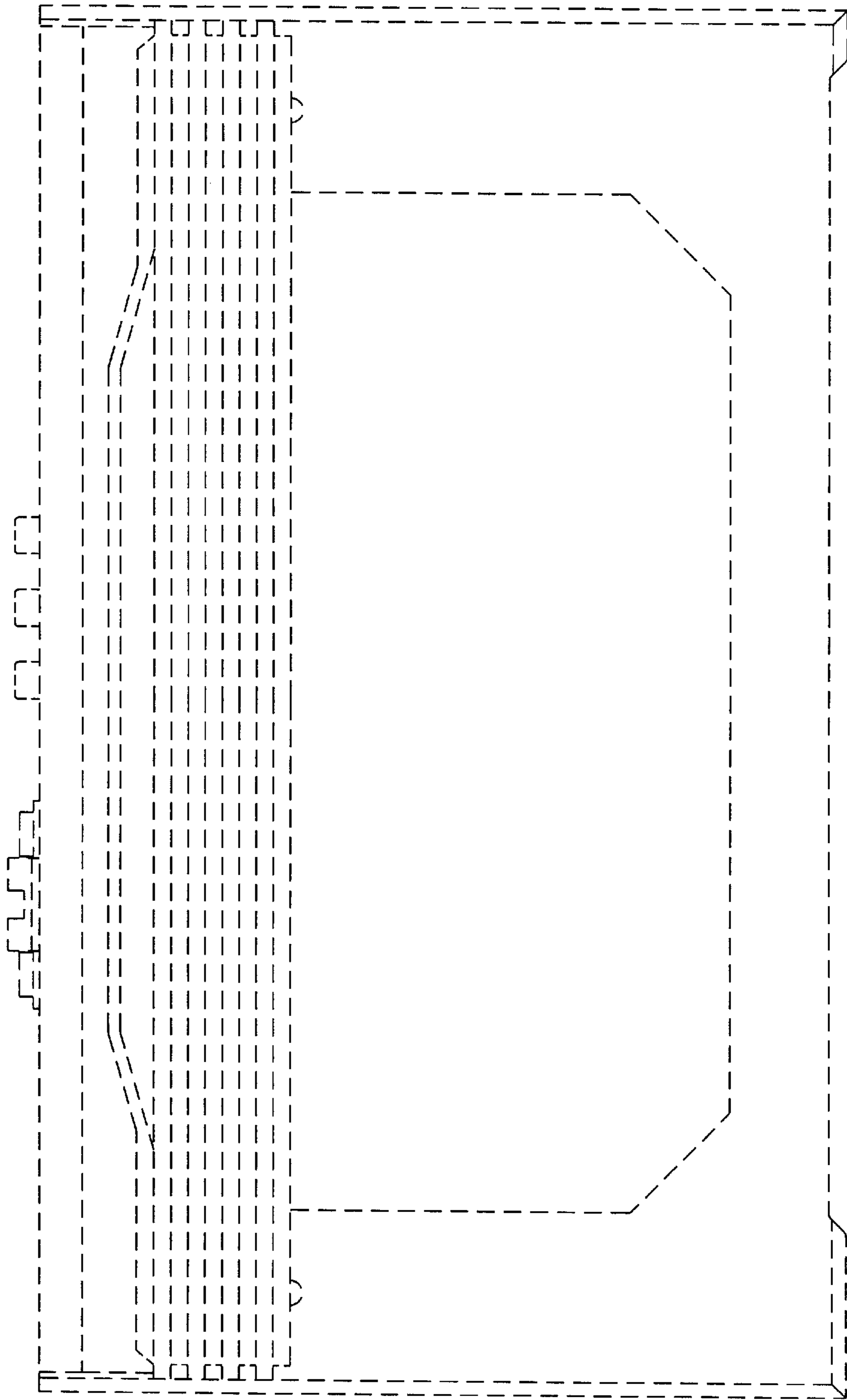


Fig. 6

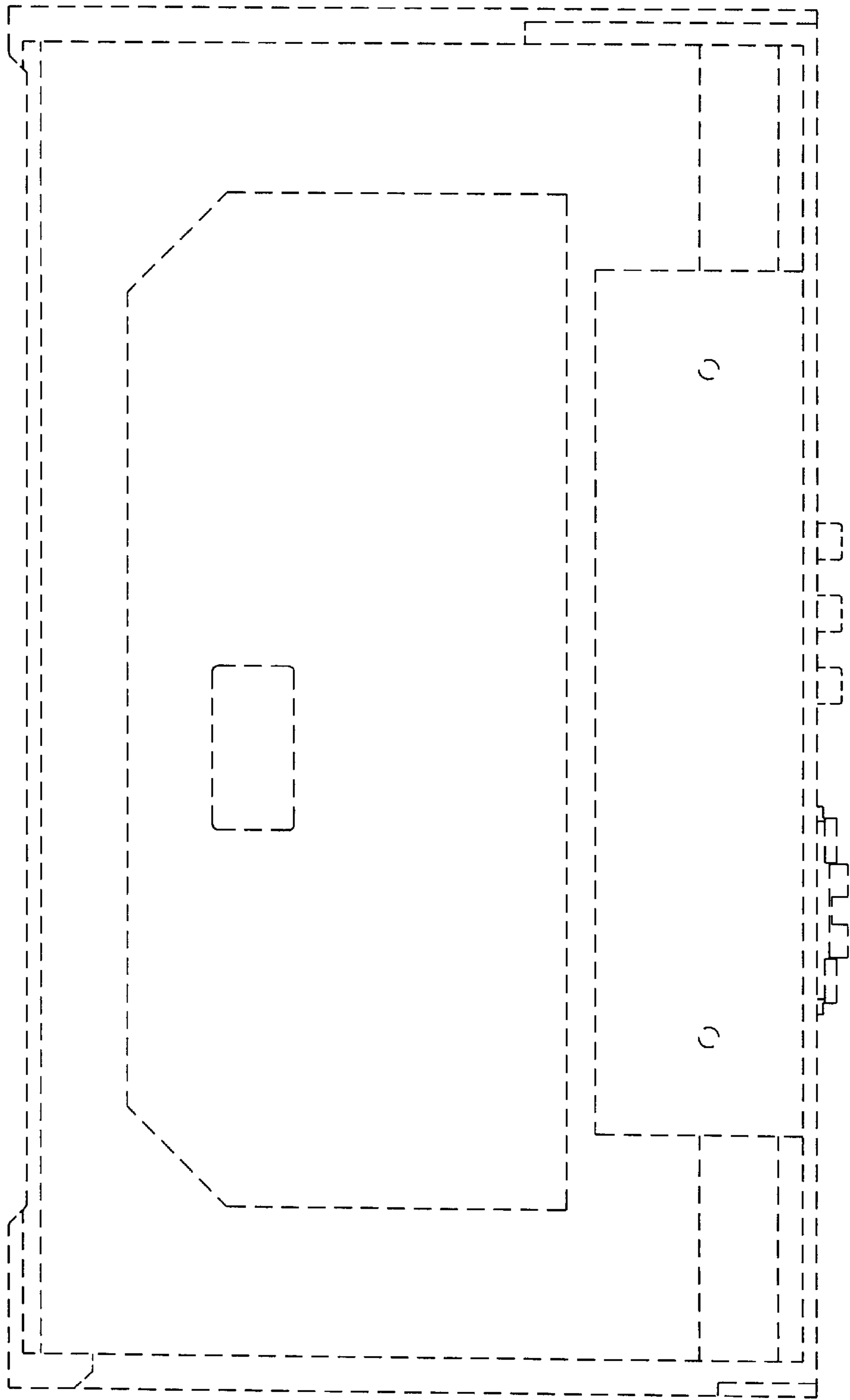
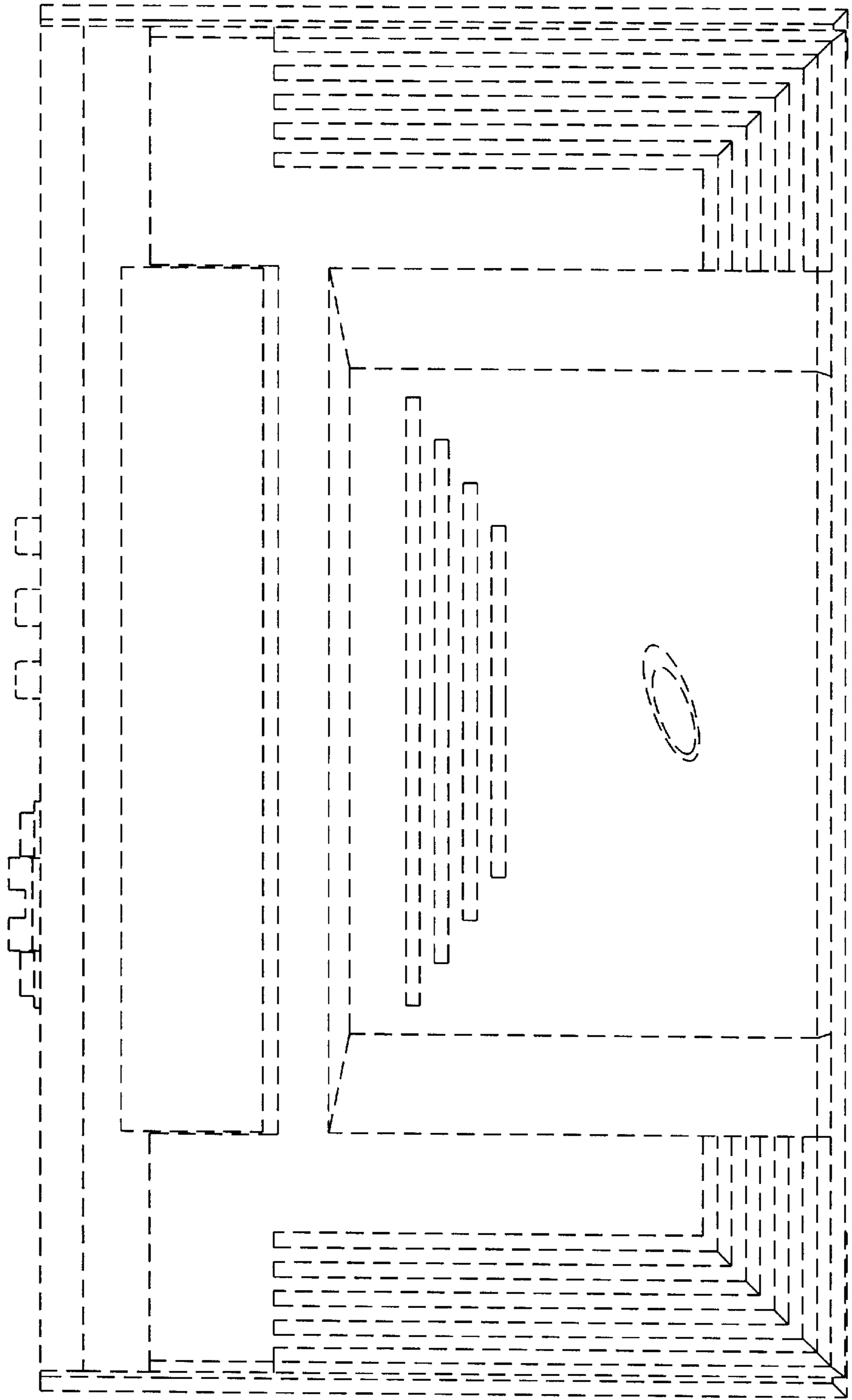


Fig. 7



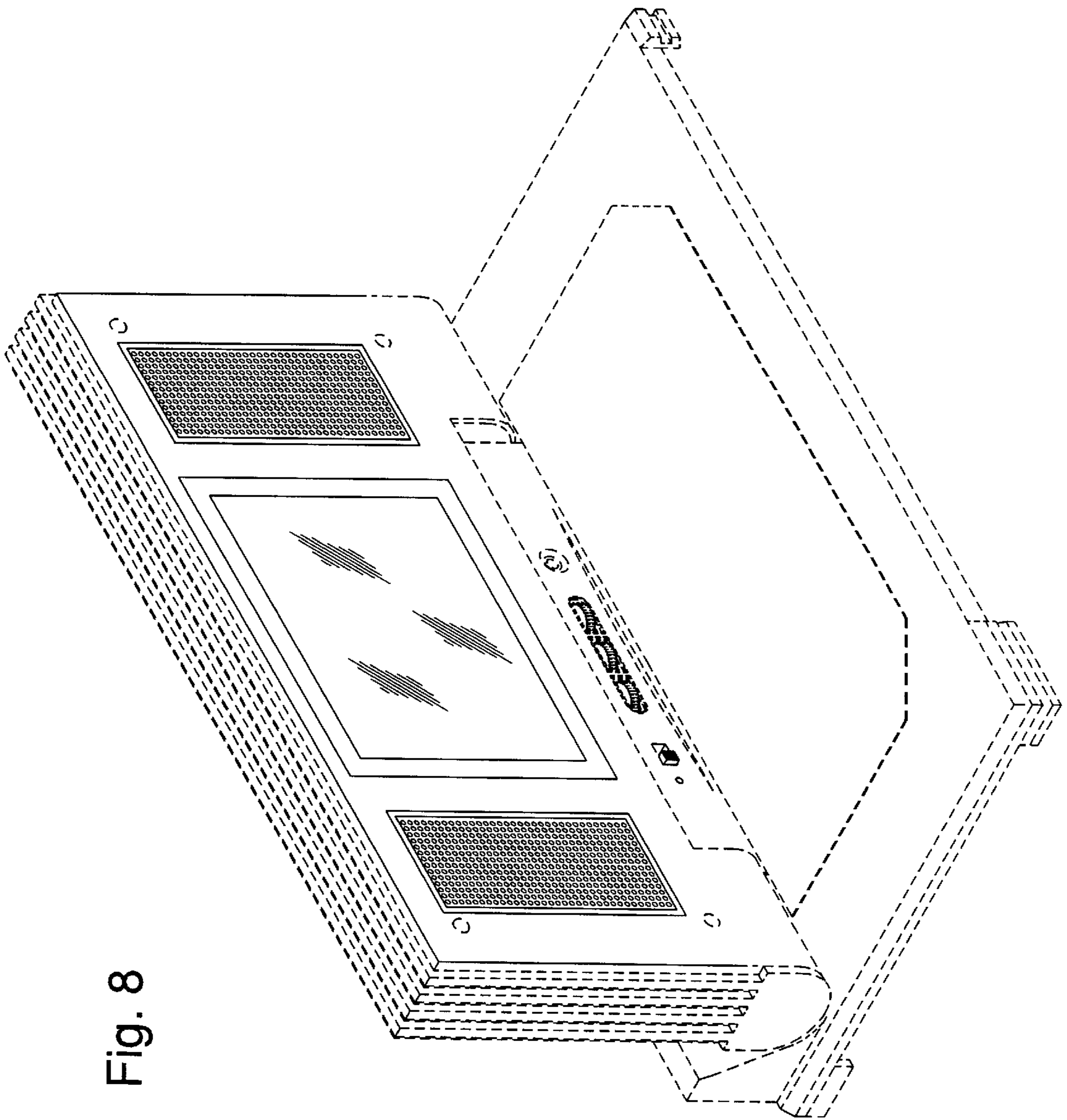


Fig. 8