



US00D479209S

(12) **United States Design Patent**  
**Teng et al.**

(10) **Patent No.:** **US D479,209 S**

(45) **Date of Patent:** **\*\* Sep. 2, 2003**

(54) **LCD TELEVISION**

(75) **Inventors:** **Chau-Farn Teng**, Tao Yuan Hsien  
(TW); **Po-Ching Huang**, Tao Yuan  
Hsien (TW)

(73) **Assignee:** **Sampo Corporation**, Tao Yuan Hsien  
(TW)

(\*\*) **Term:** **14 Years**

(21) **Appl. No.:** **29/173,577**

(22) **Filed:** **Jan. 3, 2003**

(51) **LOC (7) Cl.** ..... **14-03**

(52) **U.S. Cl.** ..... **D14/126**

(58) **Field of Search** ..... D14/126-134,  
D14/371, 374, 375, 239; 312/7.2; 348/836,  
838, 180, 184; 248/917-924; 341/12; 349/1,  
2, 11, 62

(56) **References Cited**

**U.S. PATENT DOCUMENTS**

- D416,549 S \* 11/1999 Coster et al. .... D14/375
- D417,659 S \* 12/1999 Takemasa ..... D14/374

- D432,101 S \* 10/2000 Oba ..... D14/126
- D439,224 S \* 3/2001 Kita ..... D14/126
- D454,845 S \* 3/2002 Niitsu ..... D14/126
- D458,236 S \* 6/2002 Bong et al. .... D14/126
- D460,425 S \* 7/2002 Joe ..... D14/126

\* cited by examiner

*Primary Examiner*—Raphael Barkai  
(74) *Attorney, Agent, or Firm*—Browdy and Neimark,  
P.L.L.C.

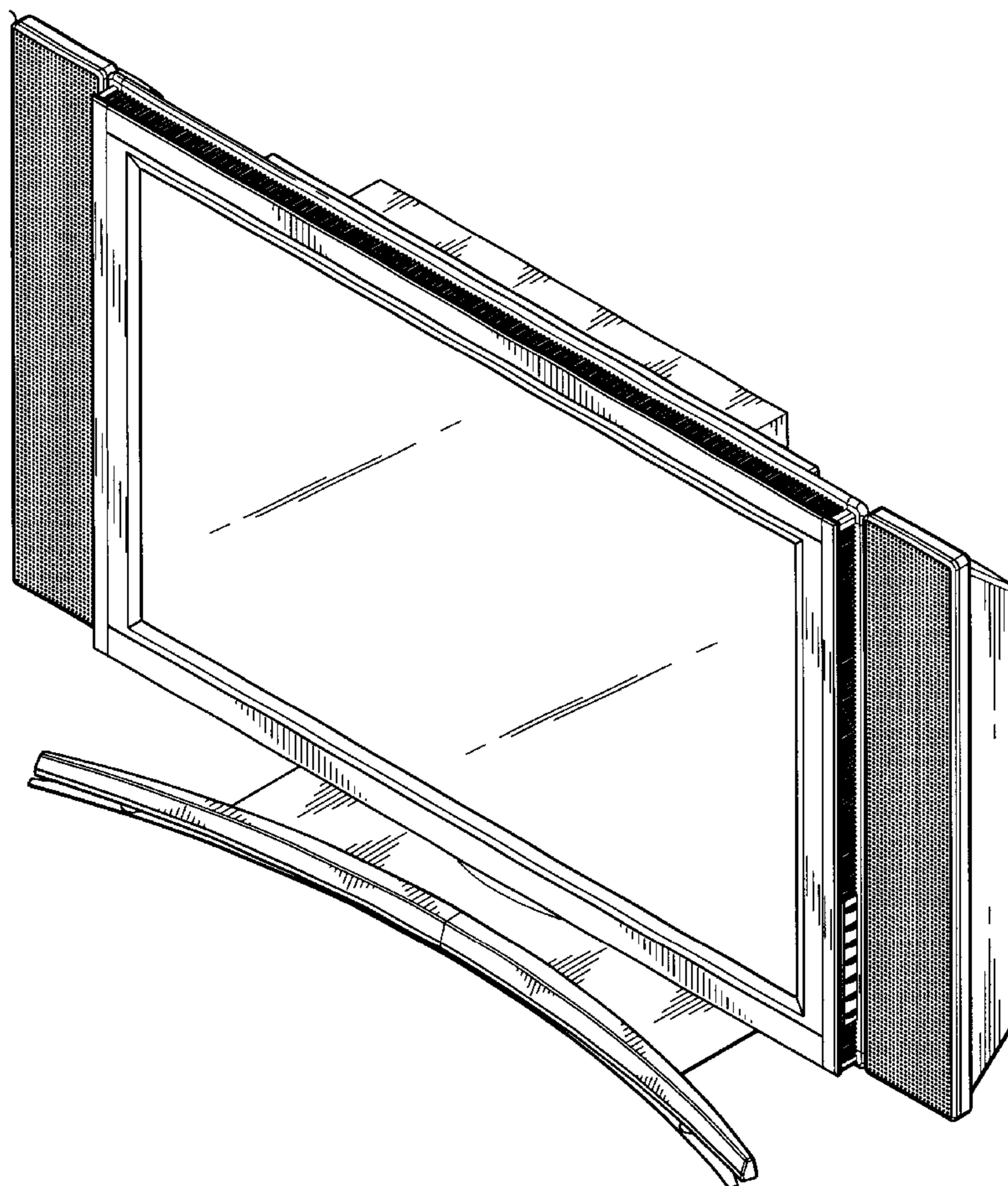
(57) **CLAIM**

The ornamental design for a “LCD television”, as shown and described.

**DESCRIPTION**

FIG. 1 is a perspective view of a “LCD television” showing us new design;  
FIG. 2 is a front view thereof;  
FIG. 3 is a rear view thereof;  
FIG. 4 is a left side view thereof;  
FIG. 5 is a right side view thereof;  
FIG. 6 is a top view thereof; and,  
FIG. 7 is a bottom view thereof.

**1 Claim, 5 Drawing Sheets**



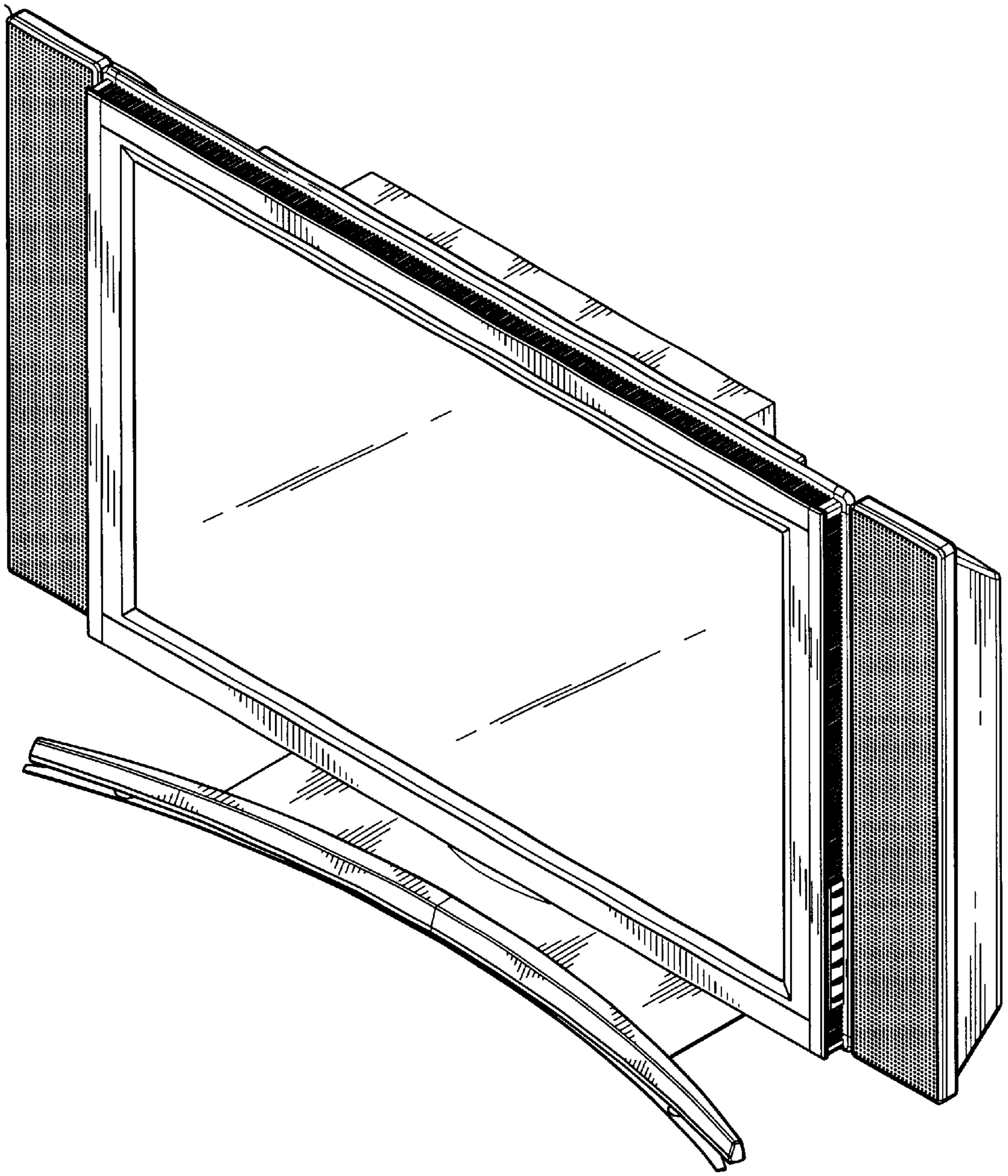


FIG. 1



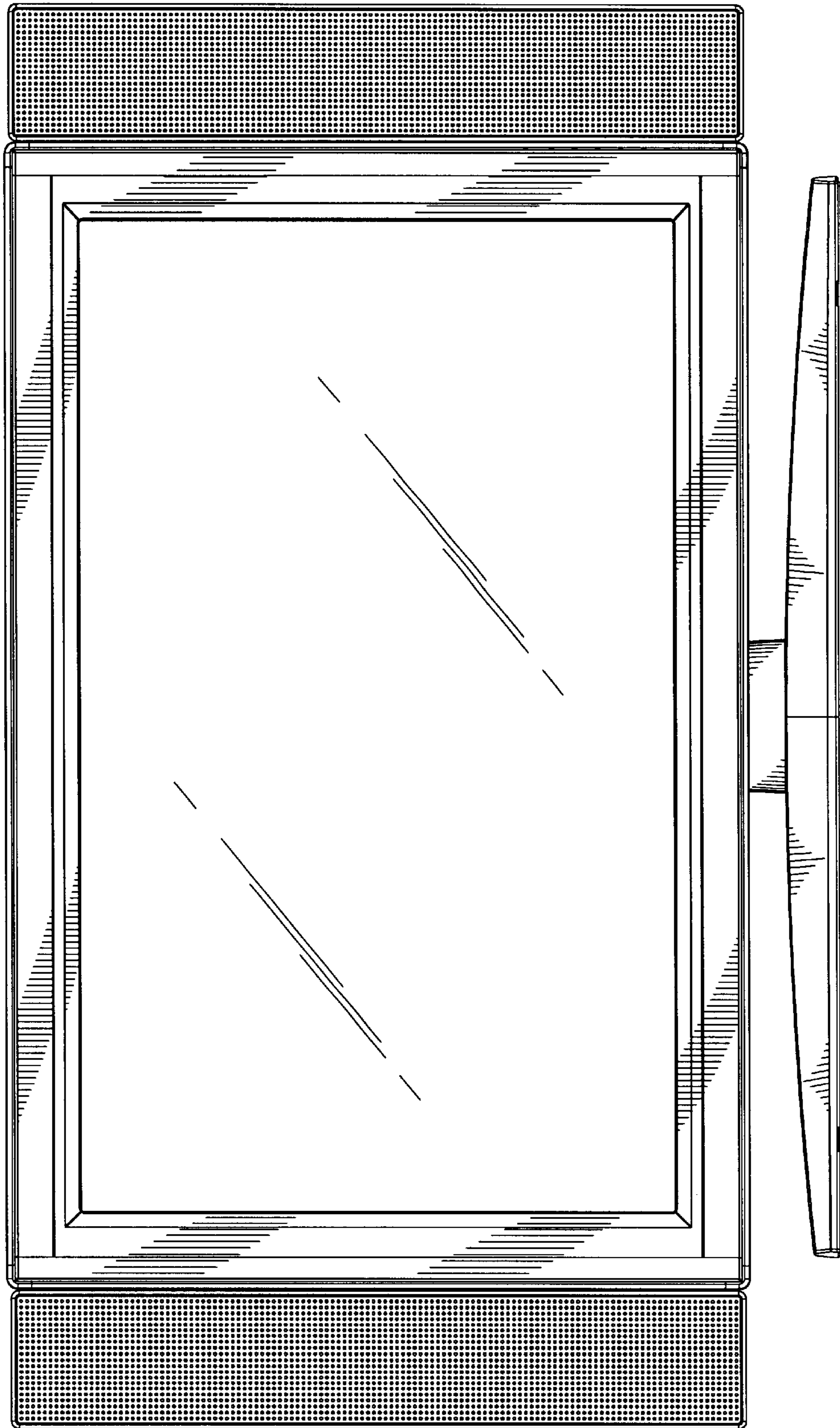


FIG. 2

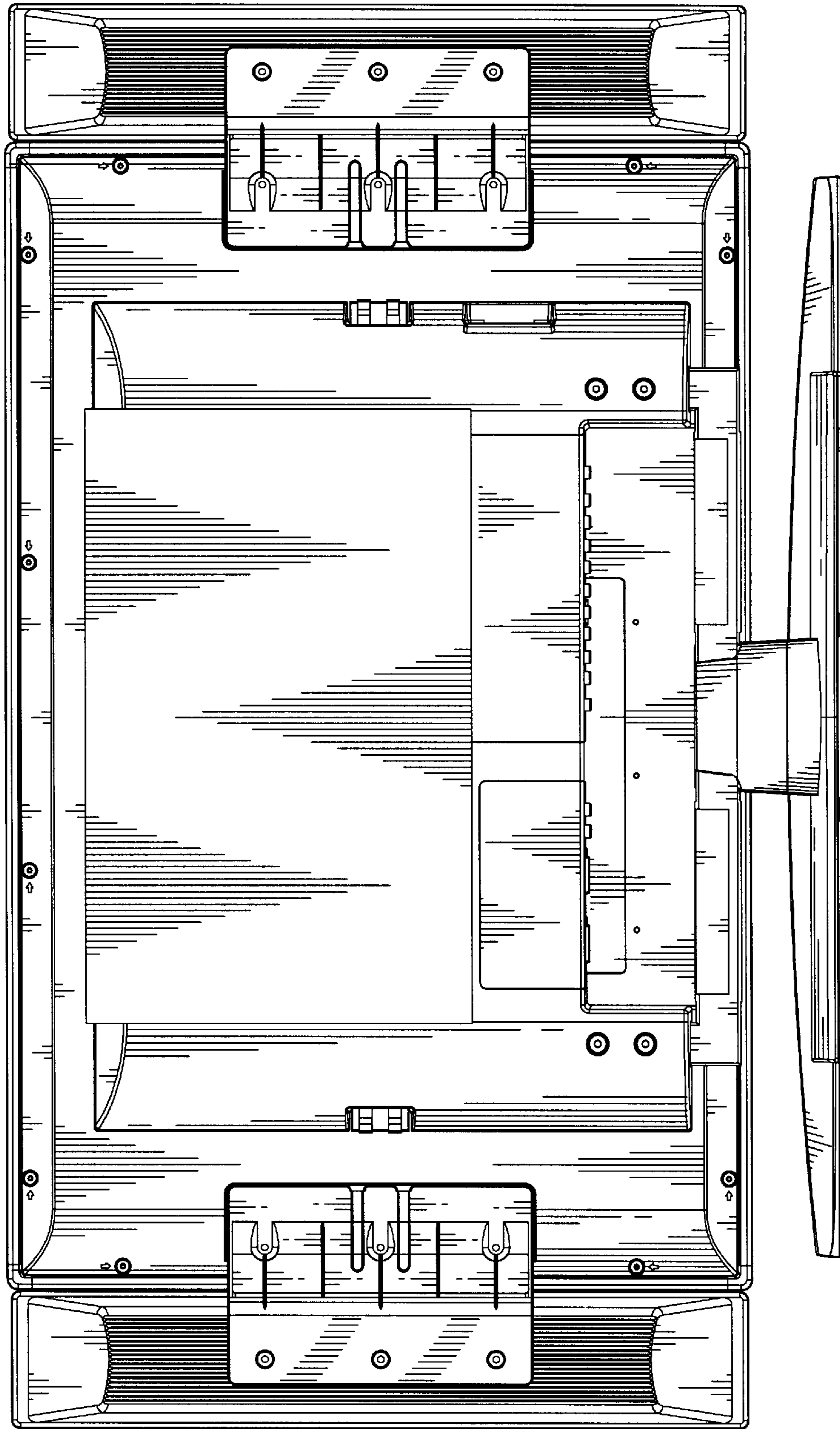


FIG. 3

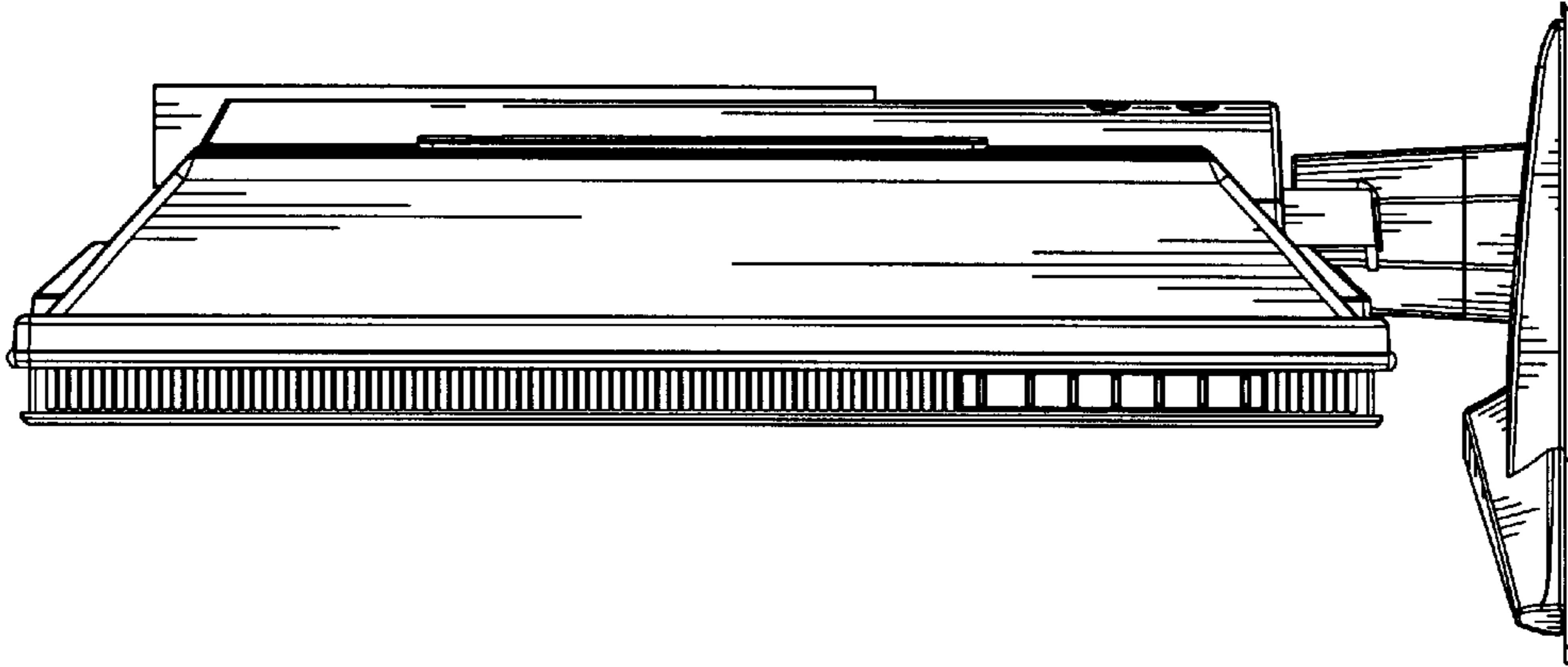


FIG. 5

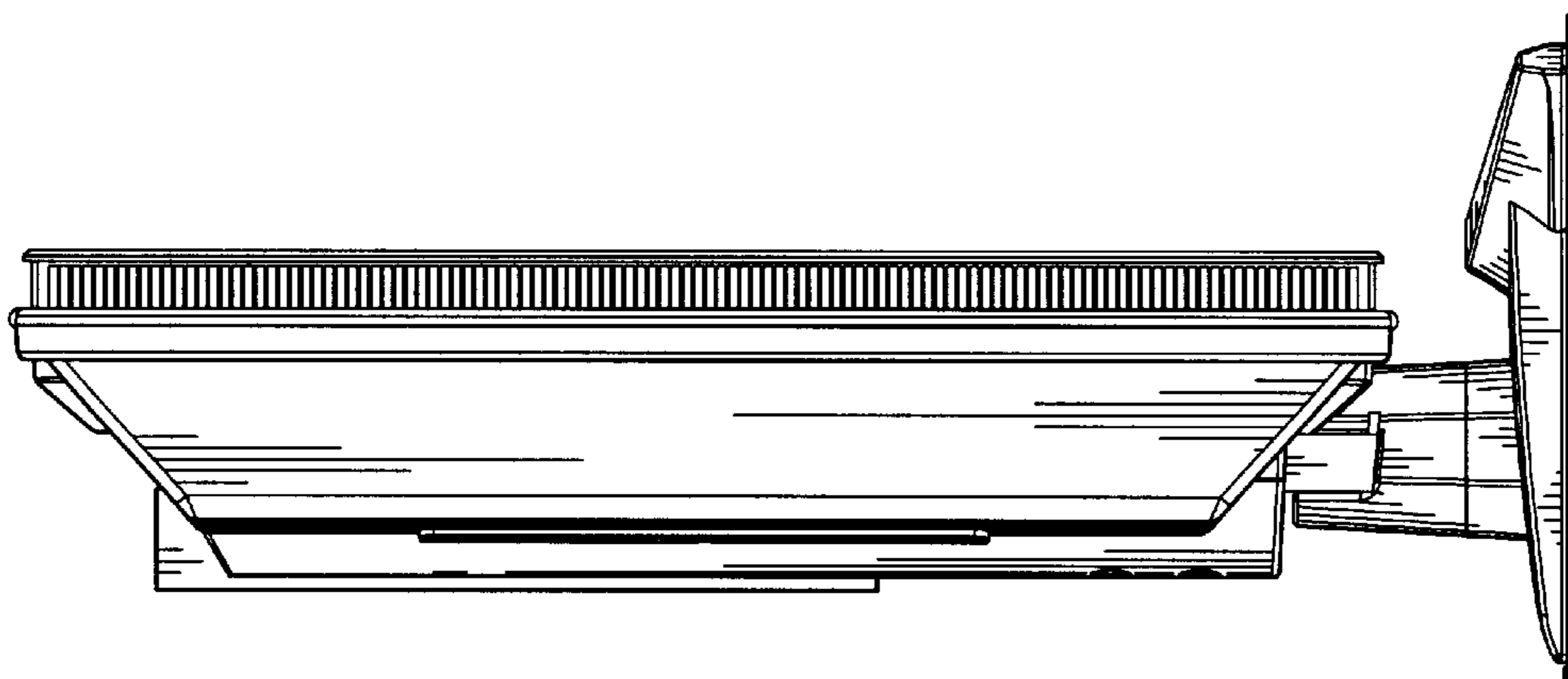


FIG. 4

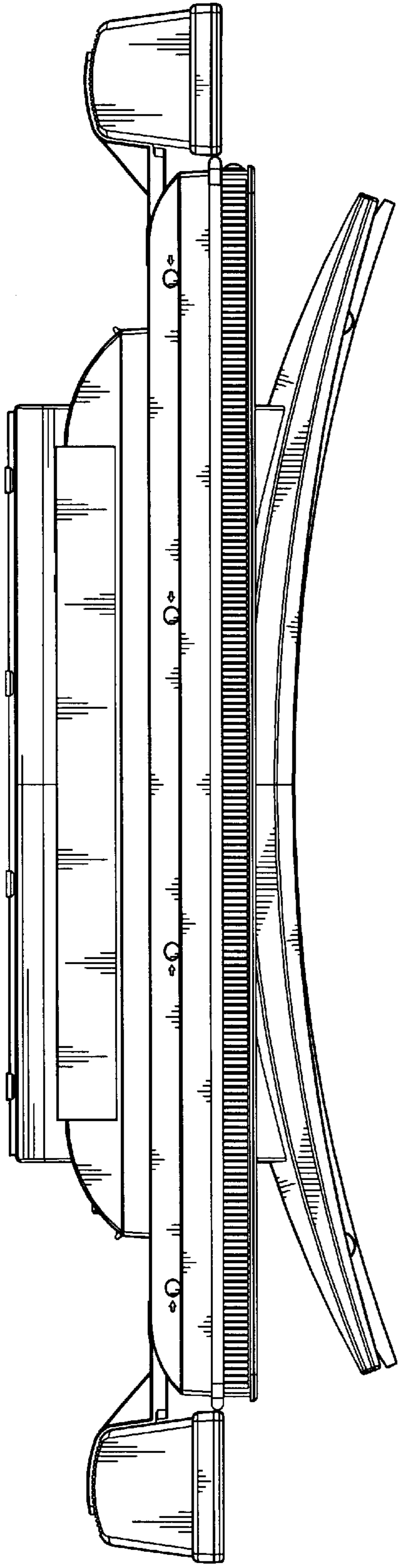


FIG. 6

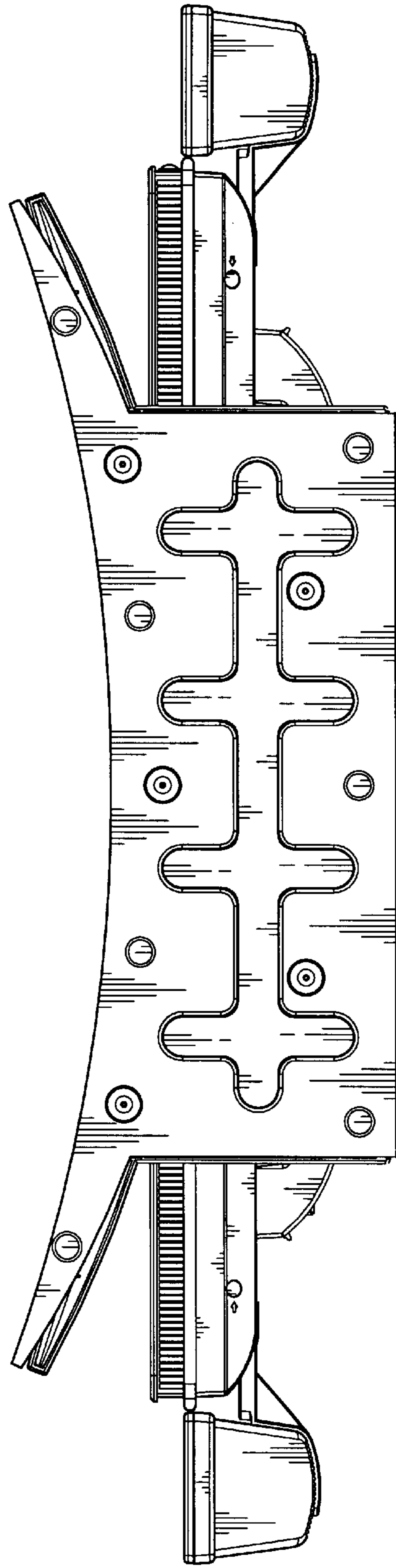


FIG. 7