



US00D479205S

(12) **United States Design Patent**  
**Krajci et al.**

(10) **Patent No.:** **US D479,205 S**

(45) **Date of Patent:** **\*\* Sep. 2, 2003**

(54) **ROTARY DIMMER AND FAN SPEED CONTROL**

5,408,046 A \* 4/1995 Vandeventer ..... 174/67  
D361,985 S \* 9/1995 Snyder ..... D13/177  
D396,401 S \* 7/1998 Christie ..... D8/353  
D412,155 S \* 7/1999 Gatchell et al. .... D13/164

(75) Inventors: **Edward Krajci**, Franklin Square, NY (US); **Fred Meiners**, Wantagh, NY (US); **Michael Khleb**, Old Bridge, NJ (US); **Selin Glickman**, Great Neck, NY (US); **Alfred J. Lombardi**, LaGrangeville, NY (US)

\* cited by examiner

*Primary Examiner*—Ted Shooman  
*Assistant Examiner*—Selina Sikder  
(74) *Attorney, Agent, or Firm*—Paul J. Sutton

(73) Assignee: **Leviton Manufacturing Co., Inc.**, Little Neck, NY (US)

(57) **CLAIM**

The ornamental design for a rotary dimmer and fan speed control, as shown and described.

(\*\*) Term: **14 Years**

**DESCRIPTION**

(21) Appl. No.: **29/165,730**

FIG. 1 is a top, front and left side perspective view illustrating our new design of a rotary dimmer and fan speed control with the broken line showing, for illustrative purposes only, a housing that forms no part of the claimed design;

(22) Filed: **Aug. 15, 2002**

**Related U.S. Application Data**

(63) Continuation-in-part of application No. 29/155,572, filed on Feb. 12, 2002.

FIG. 2 is a front elevational view thereof, the rear view being void of ornamentation;

(51) **LOC (7) Cl.** ..... **13-03**

FIG. 3 is a right side elevational view, the left side being a mirror image thereof;

(52) **U.S. Cl.** ..... **D13/171**

(58) **Field of Search** ..... D8/356, 353; D13/158, D13/162, 169, 171, 177; 174/66, 67; 200/11 R, 570, 36, 37 R, 518, 528, 544, 233, 274, 276.1, 329, 336; 220/241, 242; 307/112, 115, 125

FIG. 4 is a bottom plan view, the top plan view being a mirror image thereof;

FIG. 5 is a top, front and left side perspective view illustrating a second embodiment of our new design of a rotary dimmer and fan speed control having a circular window with the broken line showing, for illustrative purposes only, a housing that forms no part of the claimed design;

(56) **References Cited**

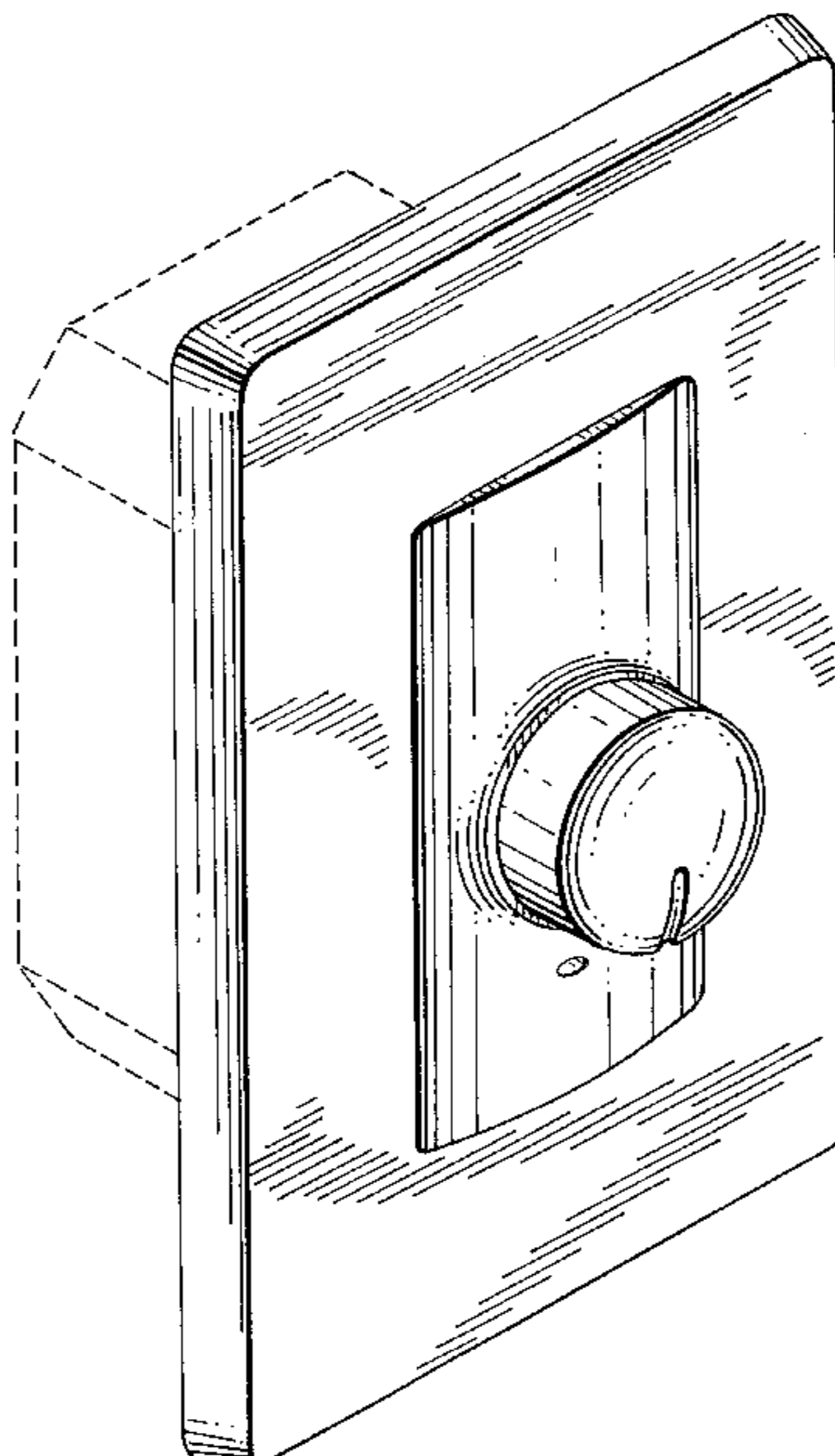
**U.S. PATENT DOCUMENTS**

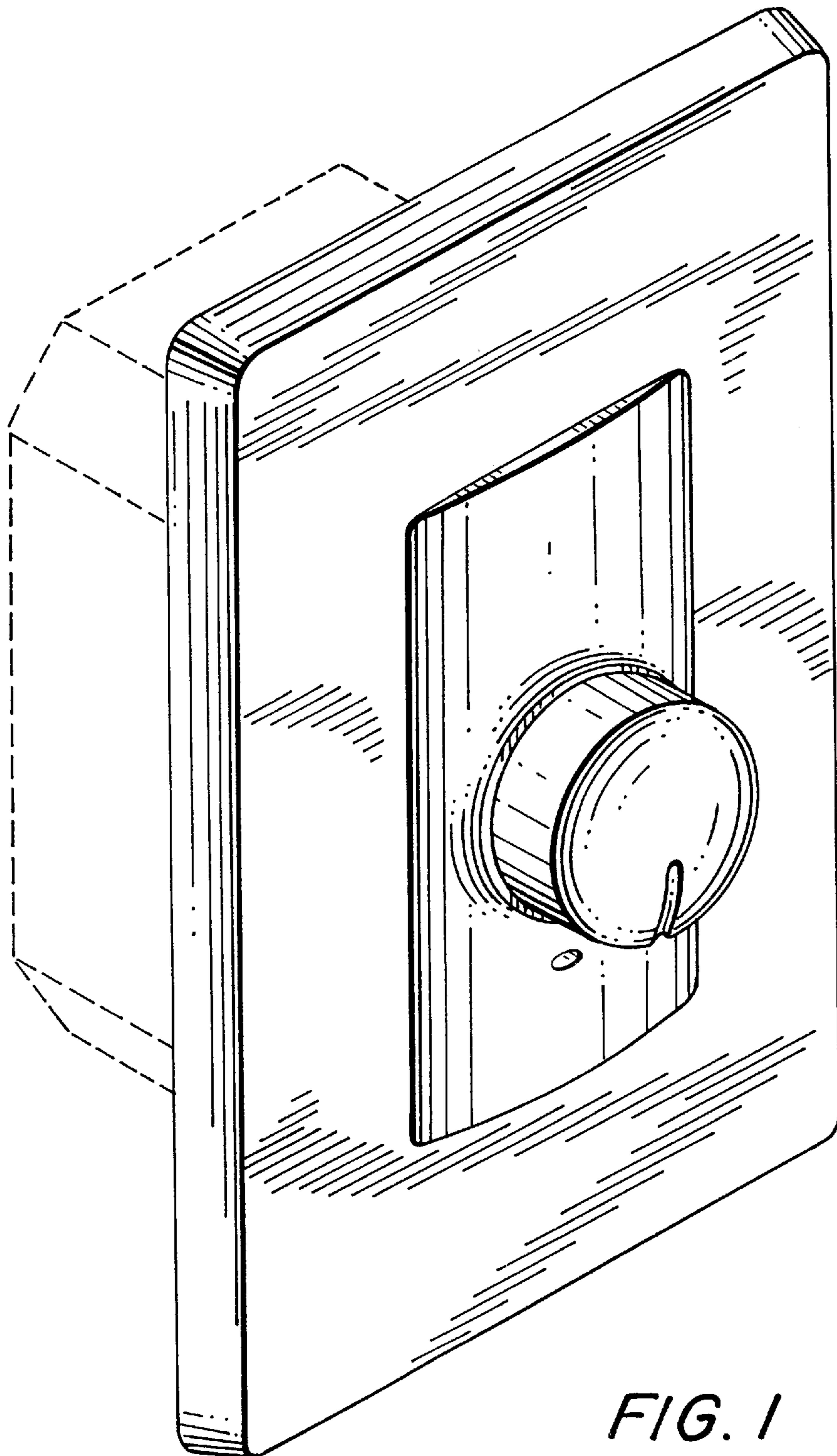
3,997,820 A \* 12/1976 Stefani ..... 361/820  
4,133,990 A \* 1/1979 Wanner et al. .... 200/6 B  
4,724,286 A \* 2/1988 Cummins ..... 200/4  
D304,442 S \* 11/1989 Fenne ..... D13/169  
D316,248 S \* 4/1991 Dob ..... D13/162  
D356,567 S \* 3/1995 Jones ..... D13/162

FIG. 6 is a front elevational view of the second embodiment, the rear view being void of ornamentation;

FIG. 7 is a right side elevational view of the second embodiment, the left side being a mirror image thereof; and, FIG. 8 is a bottom plan view of the second embodiment, the top plan view being a mirror image thereof.

**1 Claim, 4 Drawing Sheets**





*FIG. 1*

FIG. 2

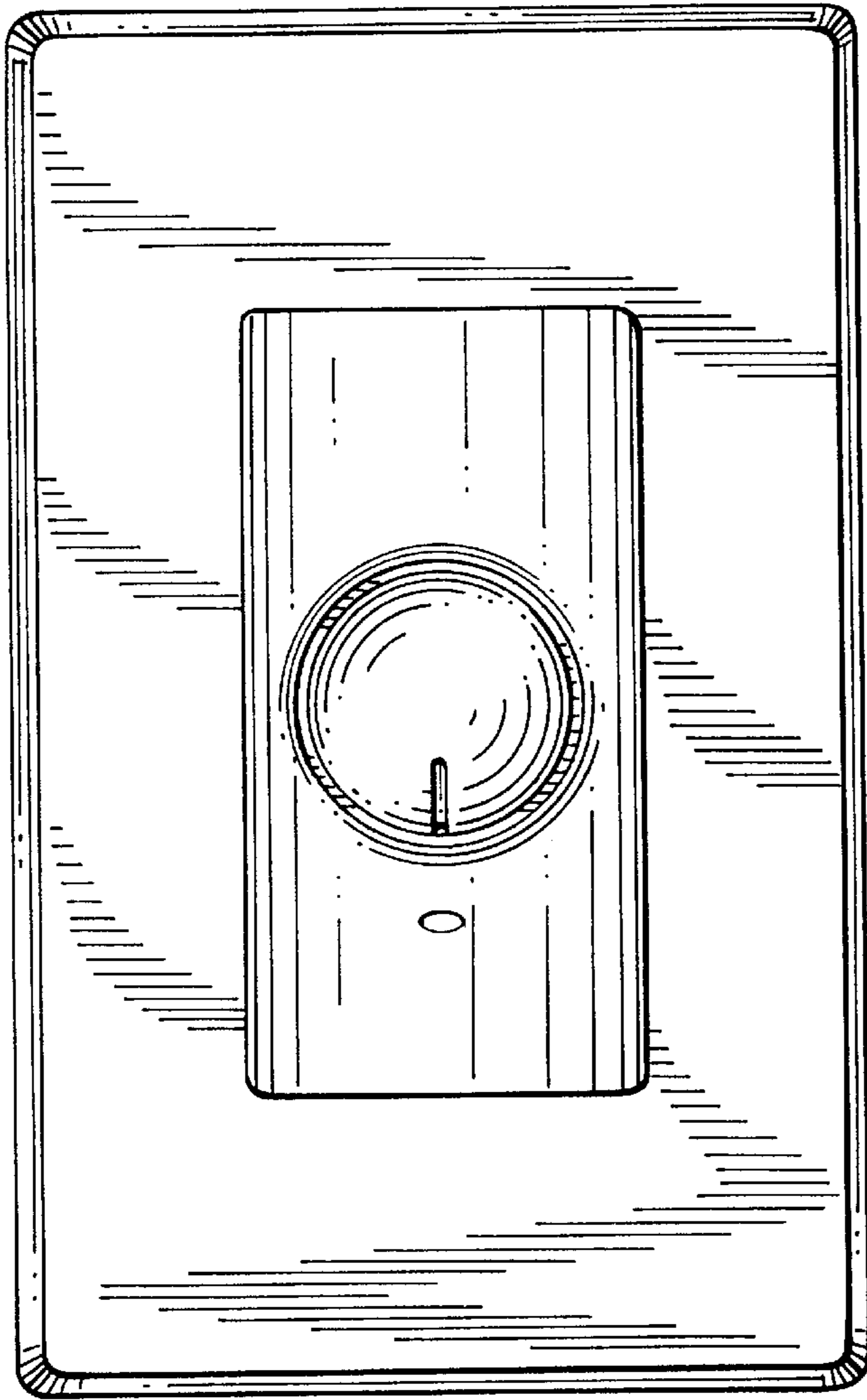


FIG. 3

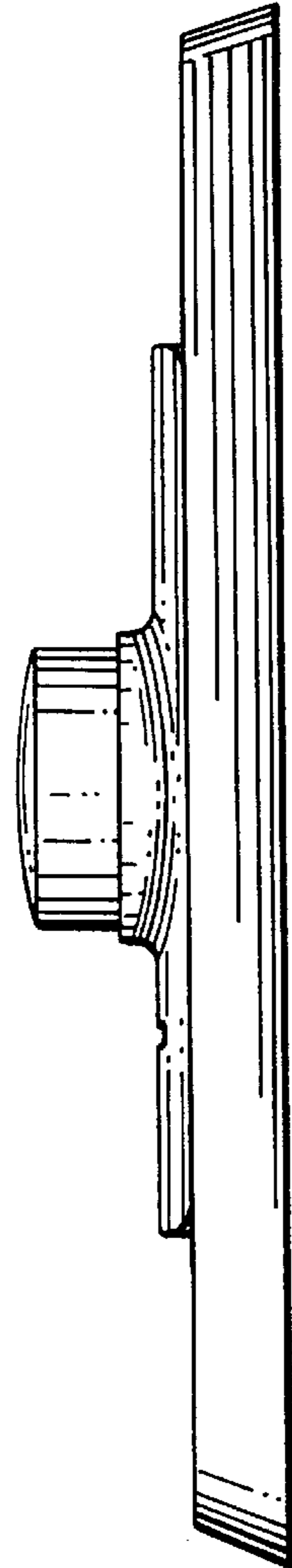
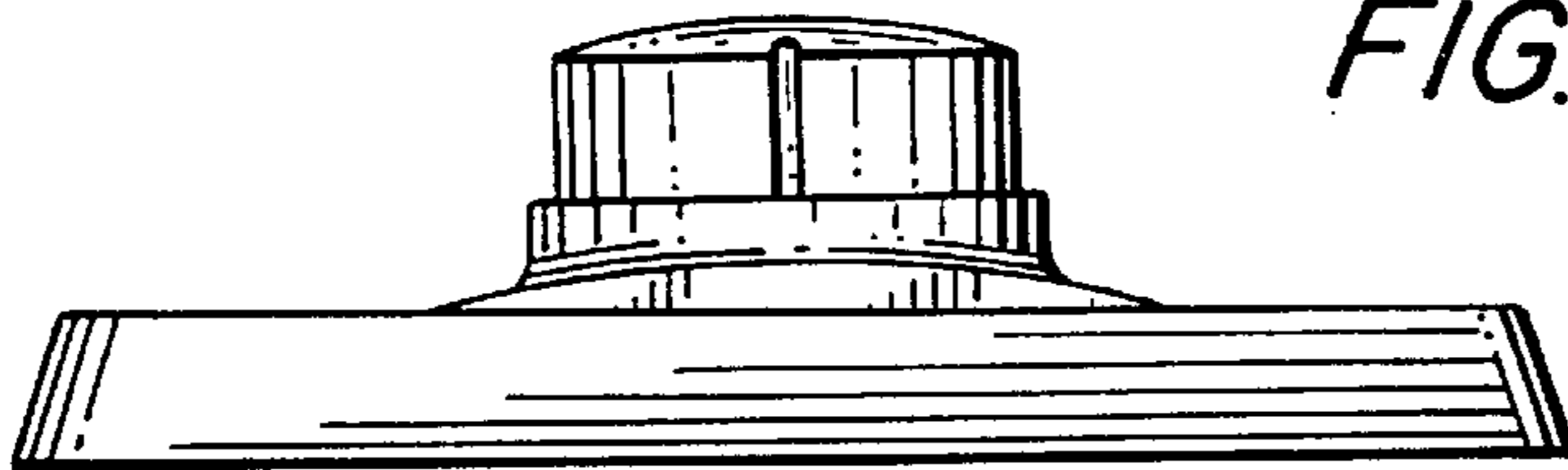
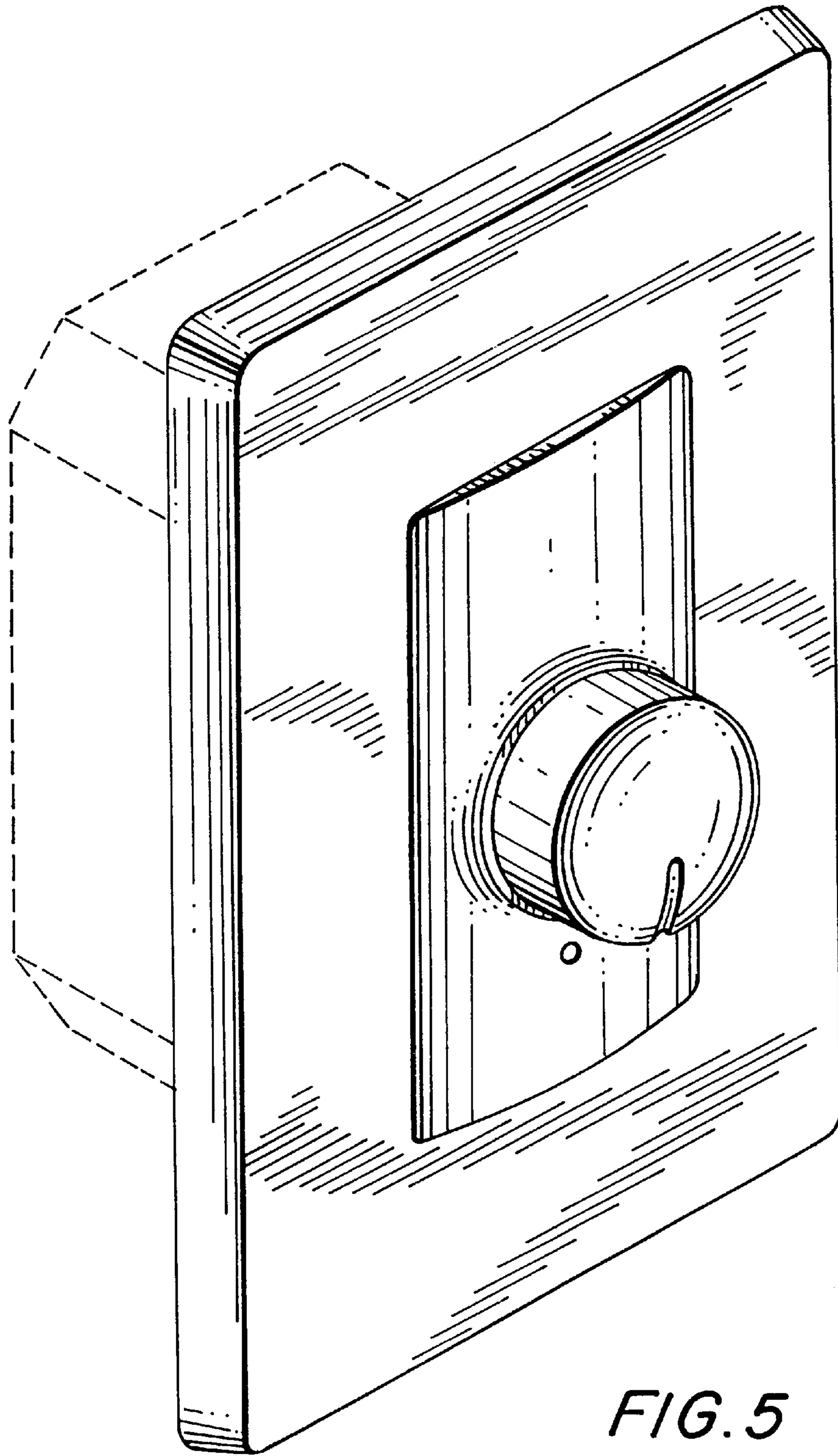


FIG. 4





*FIG. 5*



FIG. 6

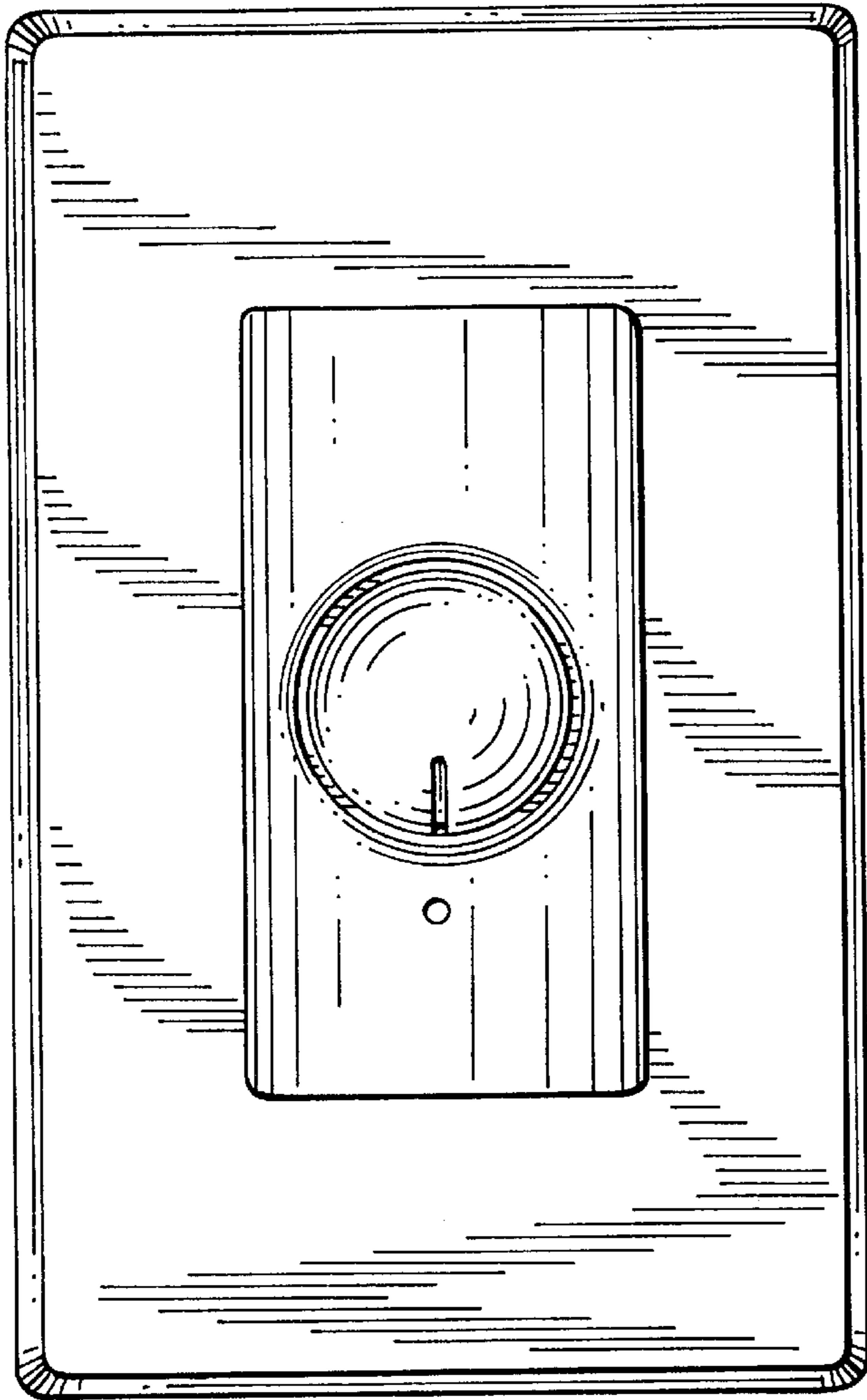


FIG. 7

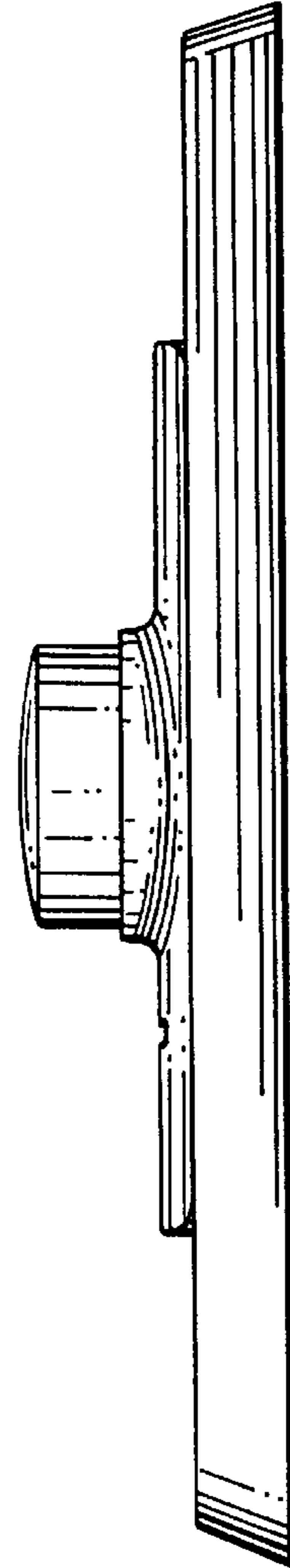


FIG. 8

