



US00D479201S

(12) **United States Design Patent**
Limber et al.

(10) **Patent No.:** **US D479,201 S**

(45) **Date of Patent:** **** Sep. 2, 2003**

(54) **SAFETY CAGE FOR ELECTRICAL PLUGS**

D464,325 S * 10/2002 Peters et al. D13/156

(75) Inventors: **Jamie A. Limber**, Gilbert, AZ (US);
Robert I. Vasquez, Phoenix, AZ (US)

* cited by examiner

Primary Examiner—Jennifer Rivard

(73) Assignee: **The Christmas Light Company Inc.**,
Mesa, AZ (US)

(74) *Attorney, Agent, or Firm*—The Halvorson Law Firm

(**) Term: **14 Years**

(57) **CLAIM**

The ornamental design for a safety cage for electrical plugs,
as shown and described.

(21) Appl. No.: **29/170,986**

DESCRIPTION

(22) Filed: **Nov. 14, 2002**

(51) **LOC (7) Cl.** **13-03**

(52) **U.S. Cl.** **D13/156**

(58) **Field of Search** D13/154–156;
439/367, 369

FIG. 1 is a perspective view of the present invention;
FIG. 2 is a top plan view of the present invention;
FIG. 3 is a left side elevation view of the present invention;
FIG. 4 is a right side elevation view of the present invention;
FIG. 5 is a bottom plan view of the present invention;
FIG. 6 is a front elevation view of the present invention;
FIG. 7 is a rear elevation view of the present invention; and,
FIG. 8 illustrates the present invention in a closed configuration.

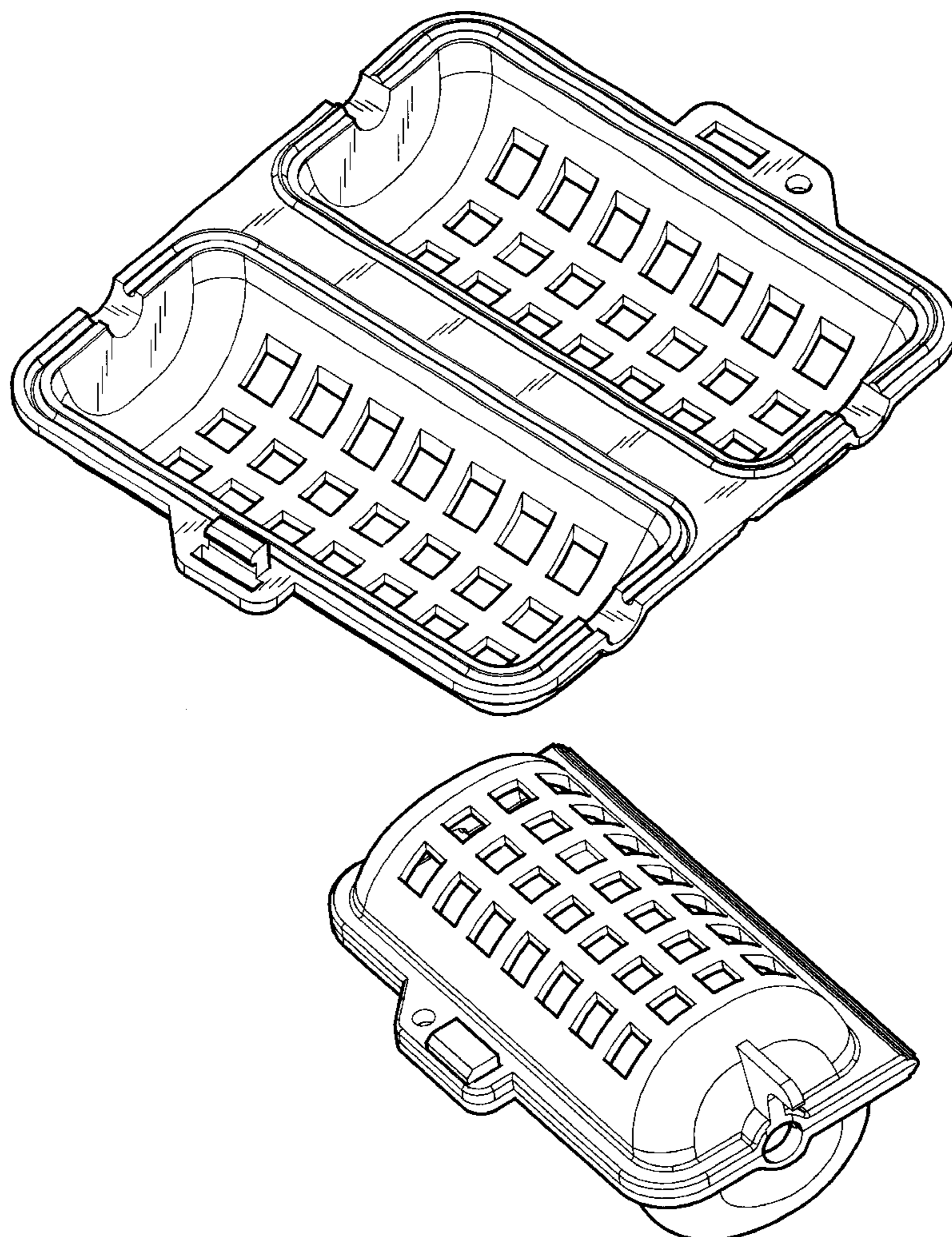
(56) **References Cited**

U.S. PATENT DOCUMENTS

5,913,692 A * 6/1999 Targett 439/369

D432,092 S * 10/2000 Stebleton et al. D13/156

1 Claim, 6 Drawing Sheets



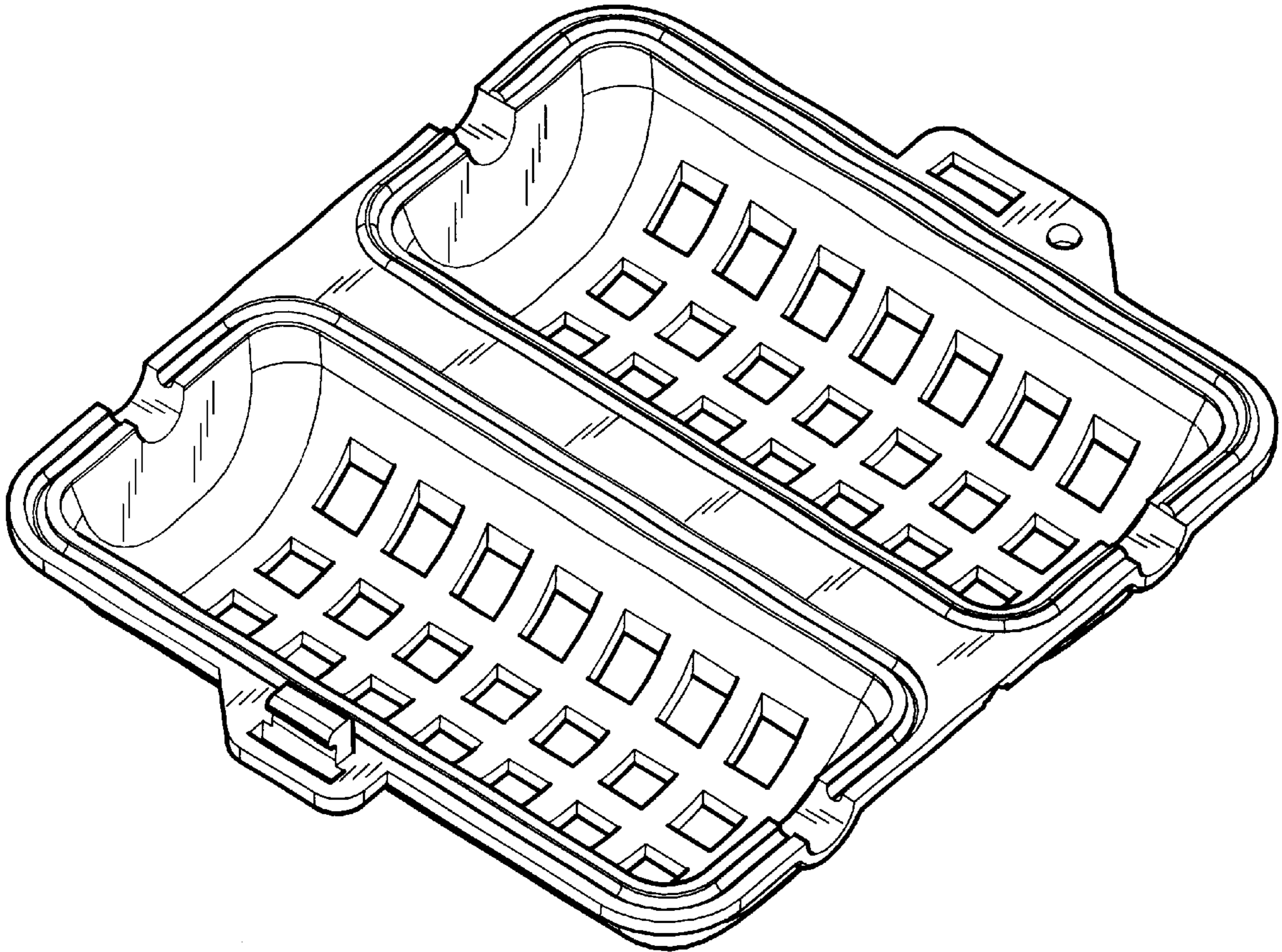


Fig. 1

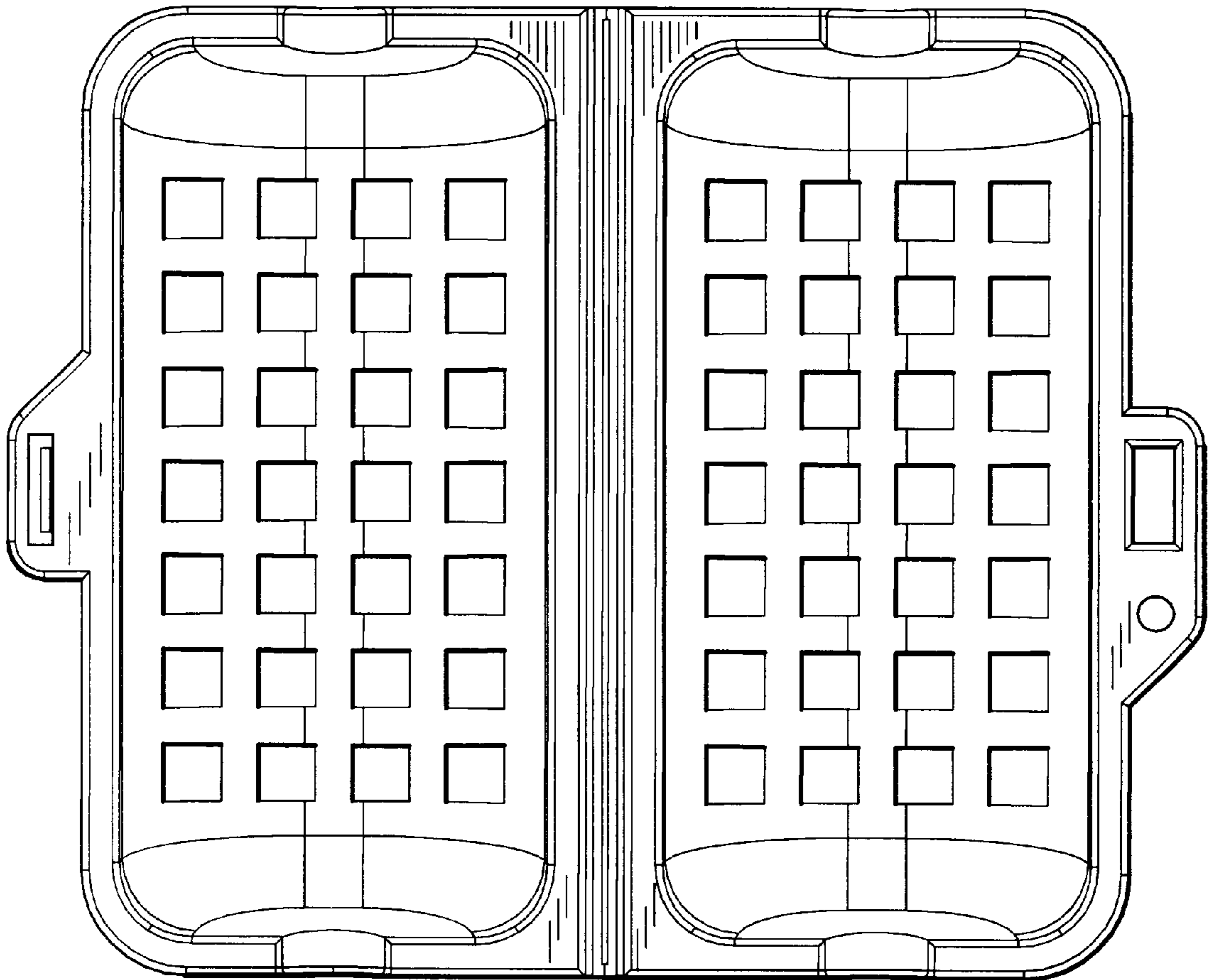


Fig. 2

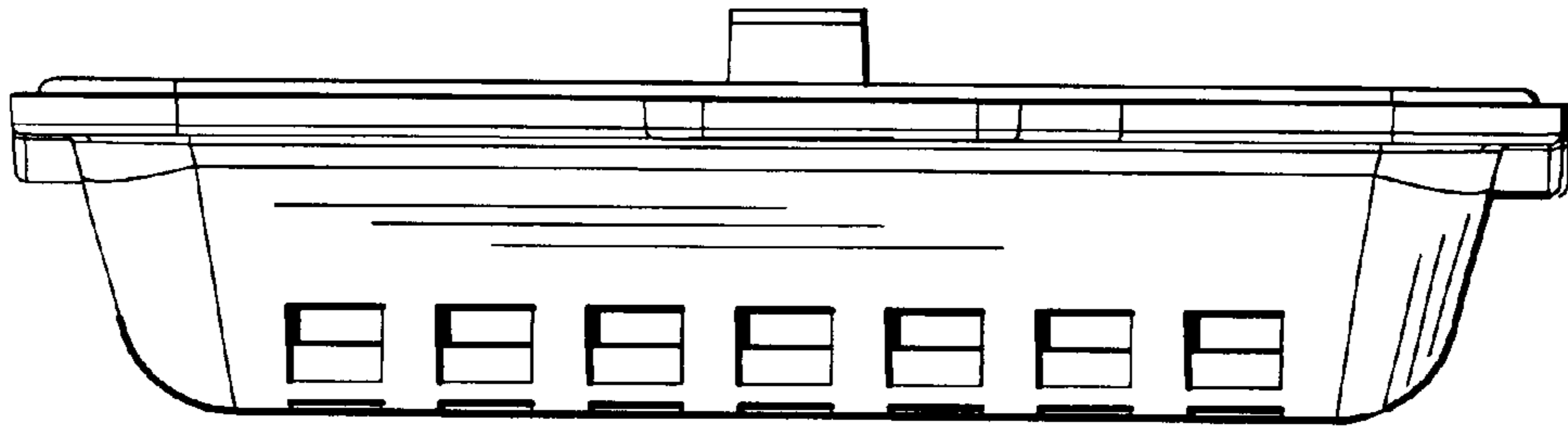


Fig. 3

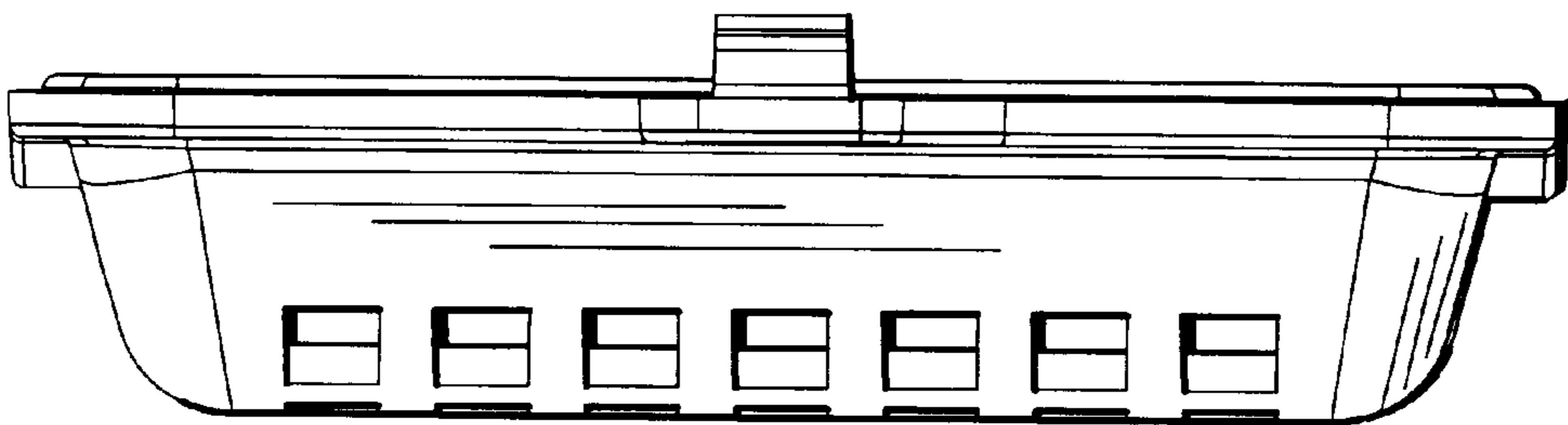


Fig. 4

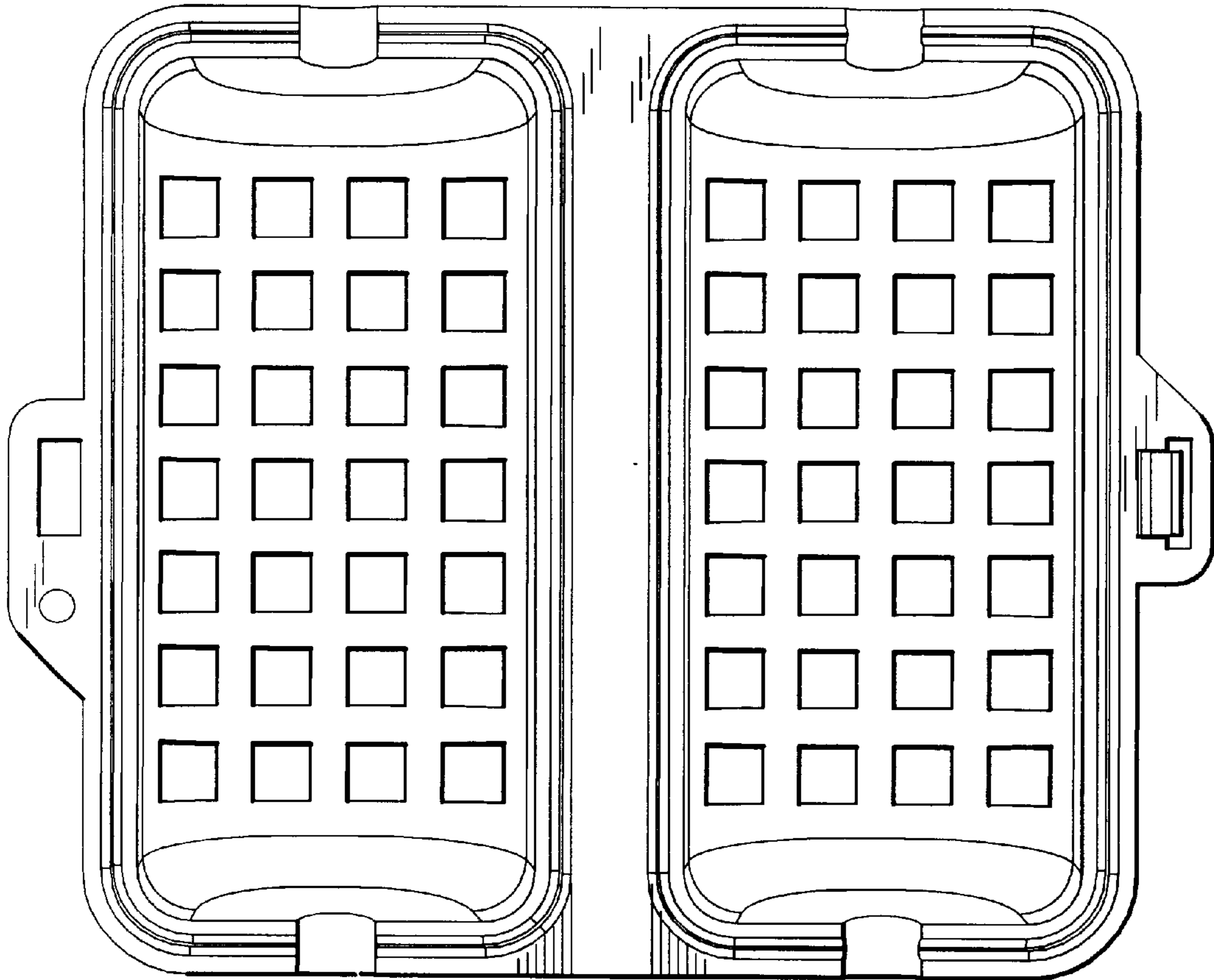


Fig. 5

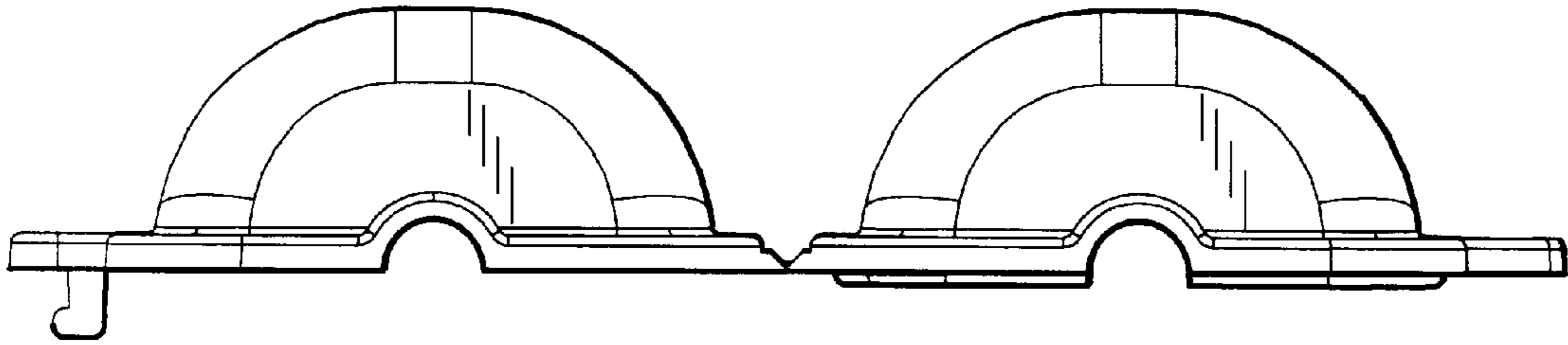


Fig. 6

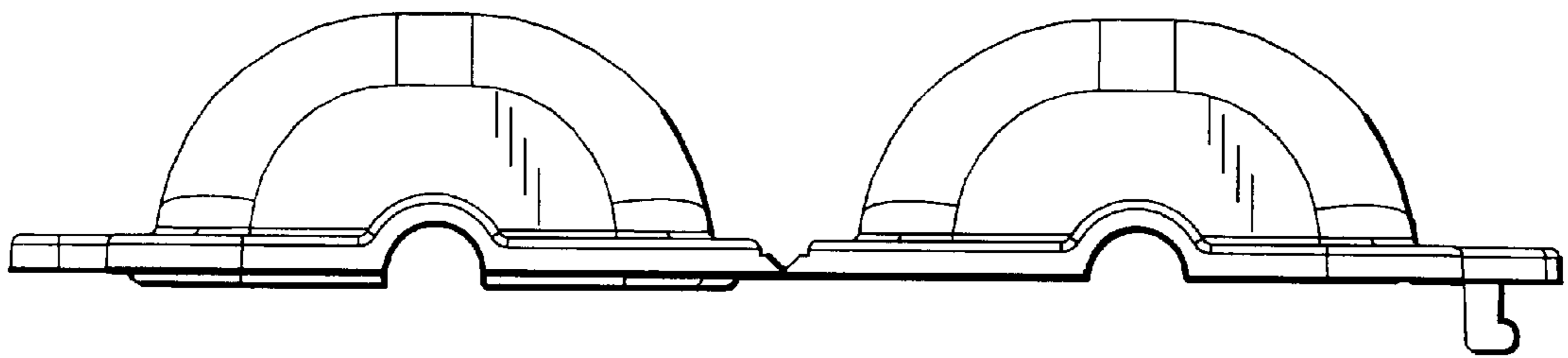


Fig. 7

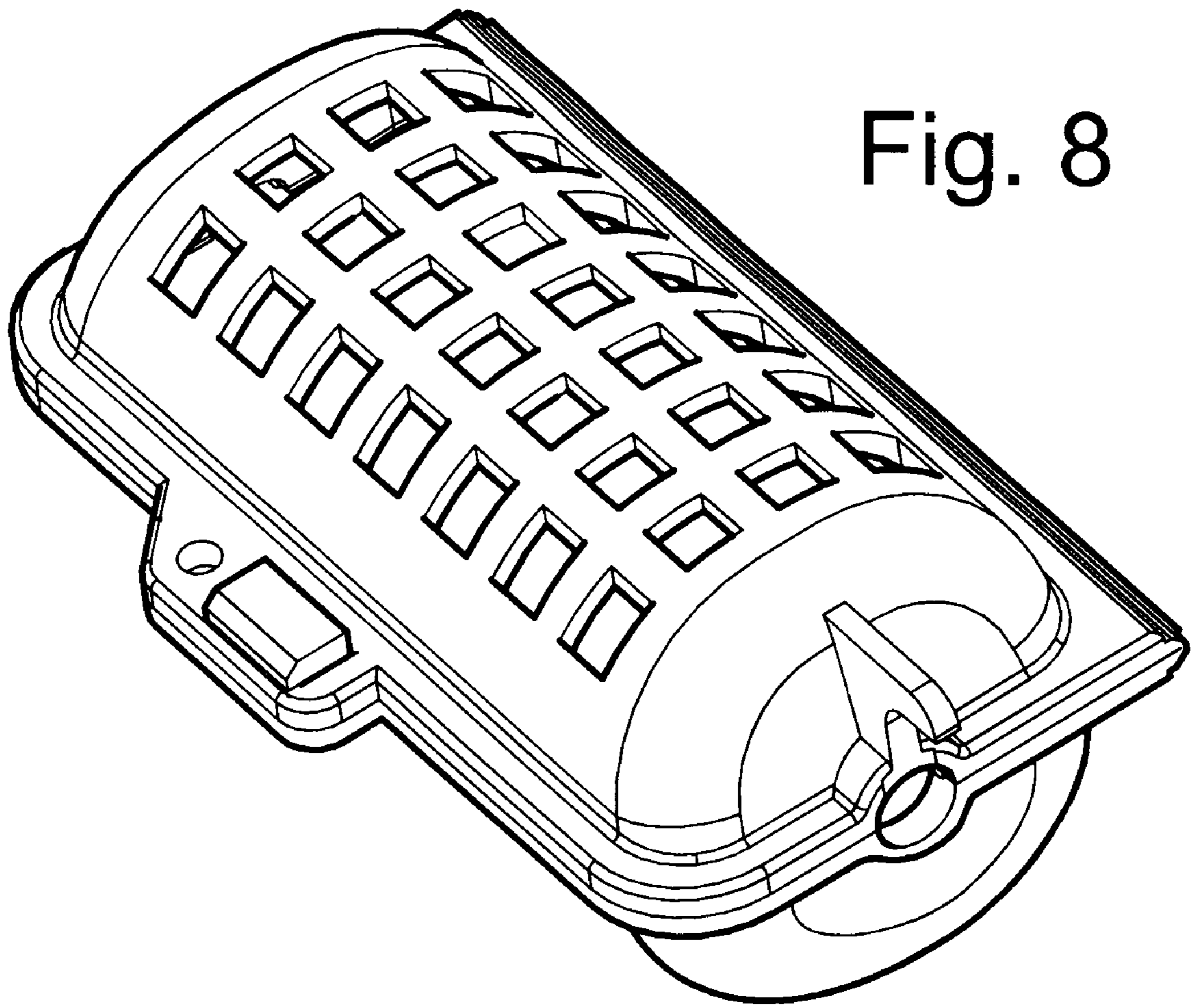


Fig. 8