



US00D479199S

(12) **United States Design Patent**
Jones et al.

(10) **Patent No.: US D479,199 S**

(45) **Date of Patent: ** Sep. 2, 2003**

(54) **ELECTRICAL CONNECTOR**

(75) Inventors: **Dennis B. Jones**, Orange, CA (US);
David Tso-Chin Ko, Fullerton, CA
(US); **George Lee**, Irvine, CA (US)

(73) Assignee: **Hon Hai Precision Ind. Co., Ltd.**,
Taipei Hsien (TW)

(**) Term: **14 Years**

(21) Appl. No.: **29/171,741**

(22) Filed: **Nov. 26, 2002**

(51) **LOC (7) Cl.** **13-03**

(52) **U.S. Cl.** **D13/147**

(58) **Field of Search** D13/146, 147;
439/353, 357, 358, 680

(56) **References Cited**

U.S. PATENT DOCUMENTS

D196,111 S	*	8/1963	Krehbiel	D13/147
D210,533 S	*	3/1968	Pauza	D13/147
3,950,067 A	*	4/1976	Leavesley	439/358
4,959,023 A	*	9/1990	Watanabe et al.	439/595

4,975,075 A	*	12/1990	Jinno et al.	439/353
5,190,467 A	*	3/1993	Ohta	439/354
5,425,650 A	*	6/1995	Maeda	439/374
5,915,996 A	*	6/1999	Kitamura	439/680
D425,869 S	*	5/2000	Yokomizo et al.	D13/147
6,325,656 B1	*	12/2001	Fukuda et al.	439/358
D459,311 S	*	6/2002	Chen	D13/147

* cited by examiner

Primary Examiner—Joel Sincavage

(74) *Attorney, Agent, or Firm*—Wei Te Chung

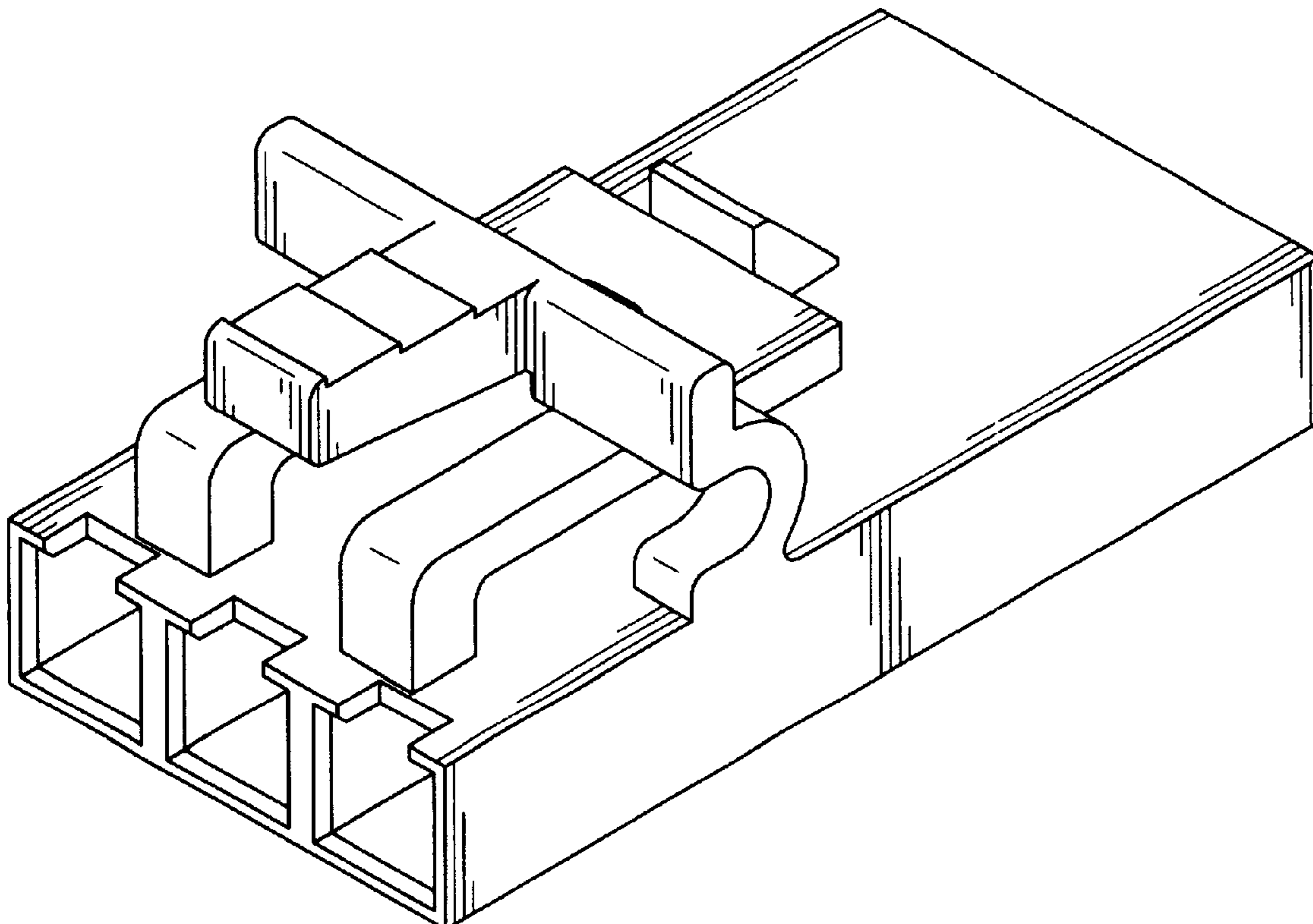
(57) **CLAIM**

The ornamental design for an electrical connector, as shown.

DESCRIPTION

FIG. 1 is a front, top and right side perspective view of an electrical connector showing our new design; FIG. 2 is a front elevational view thereof; FIG. 3 is a rear elevational view thereof; FIG. 4 is a left side elevational view thereof; FIG. 5 is a right side elevational view thereof; FIG. 6 is a top plan view thereof; and, FIG. 7 is a bottom plan view thereof.

1 Claim, 5 Drawing Sheets



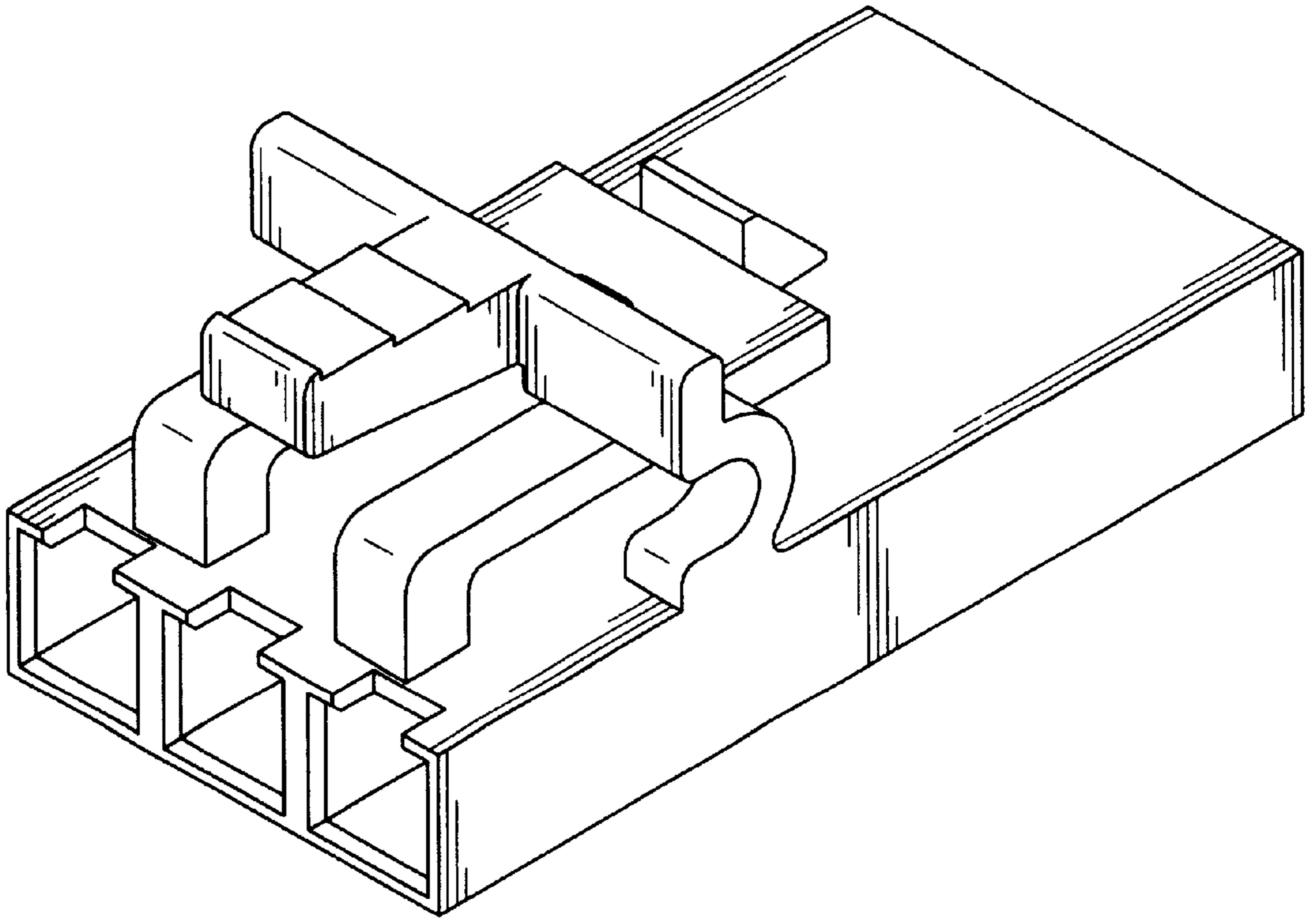


FIG. 1

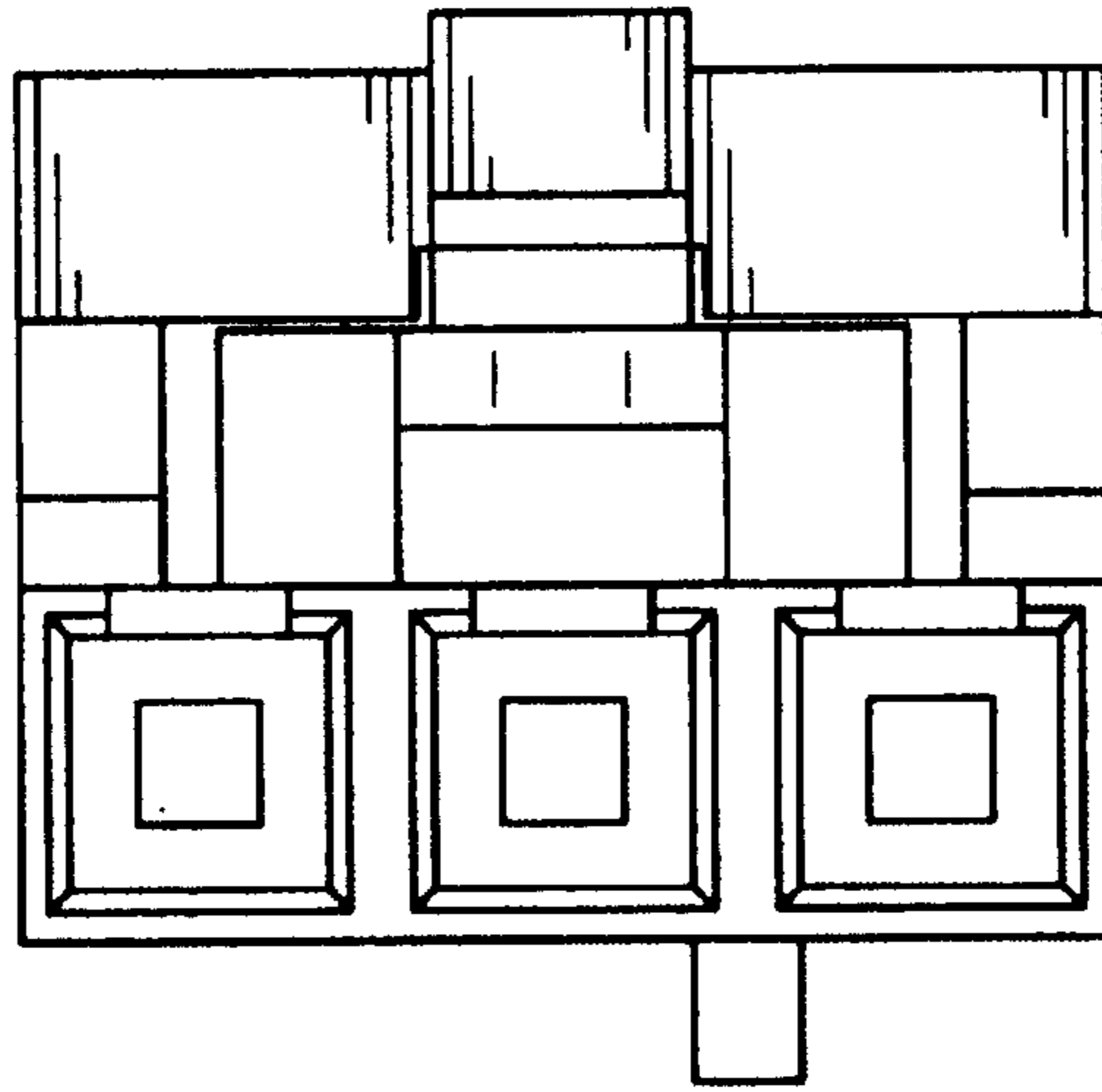


FIG. 2

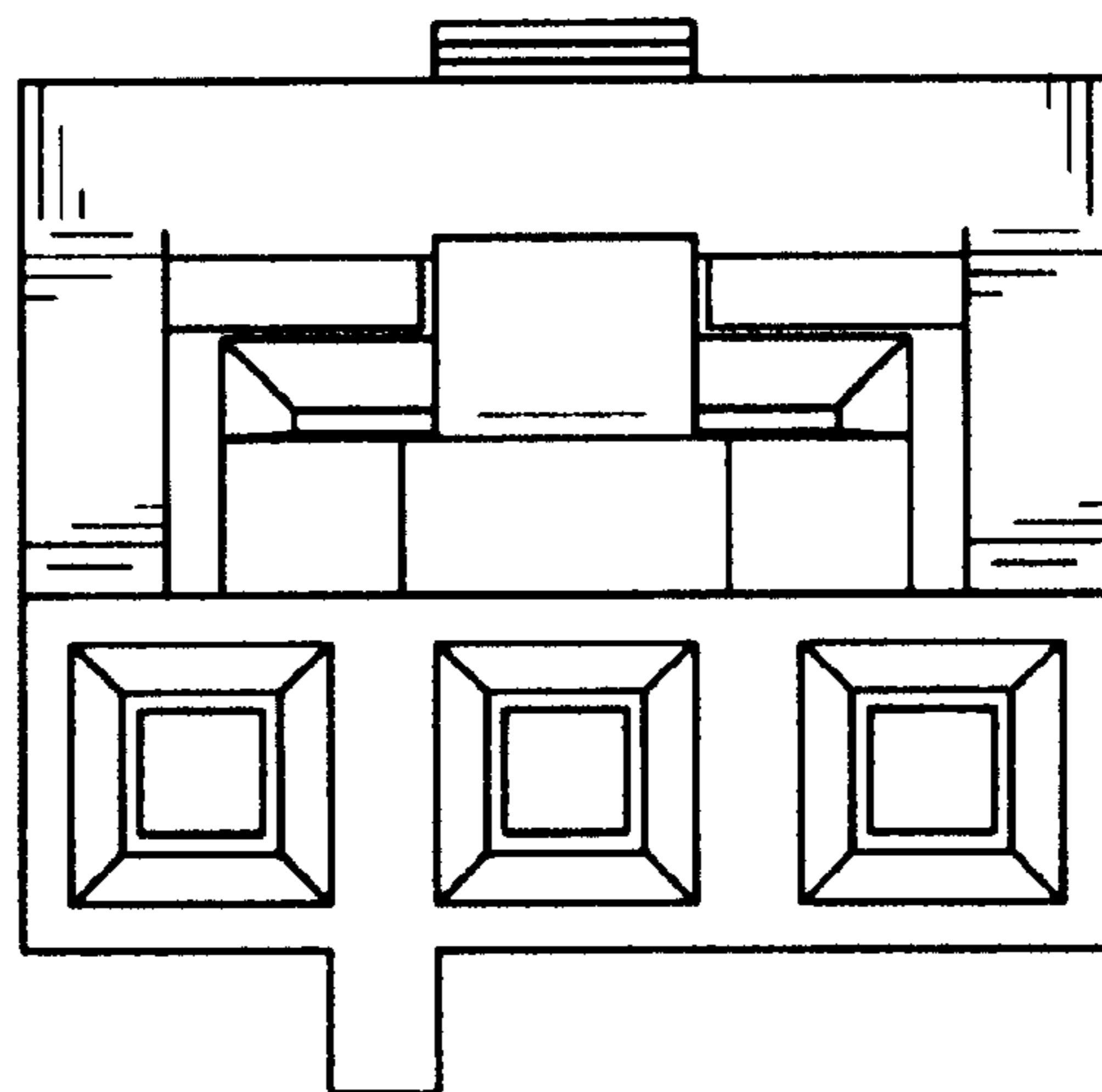


FIG. 3

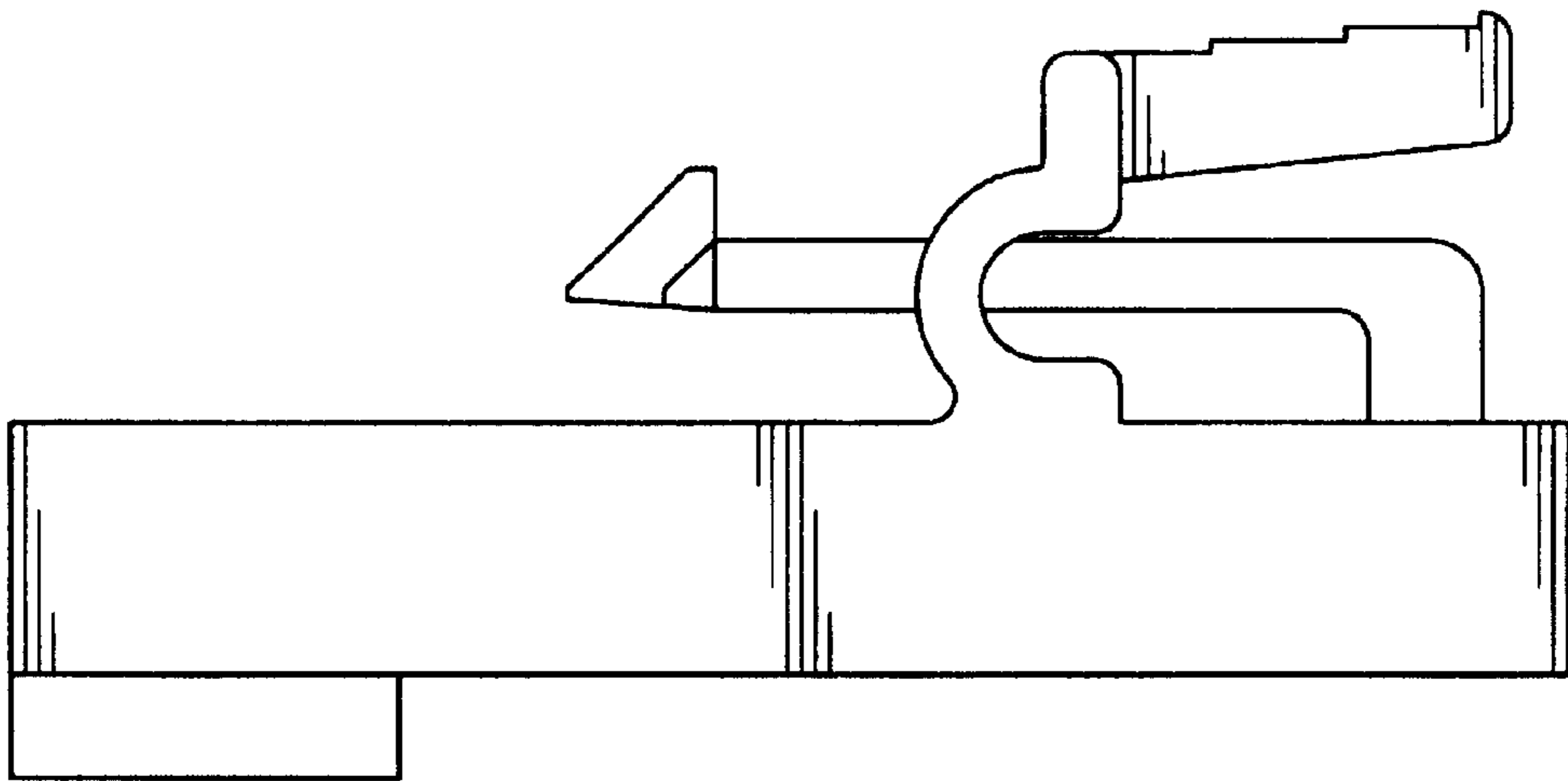


FIG. 4

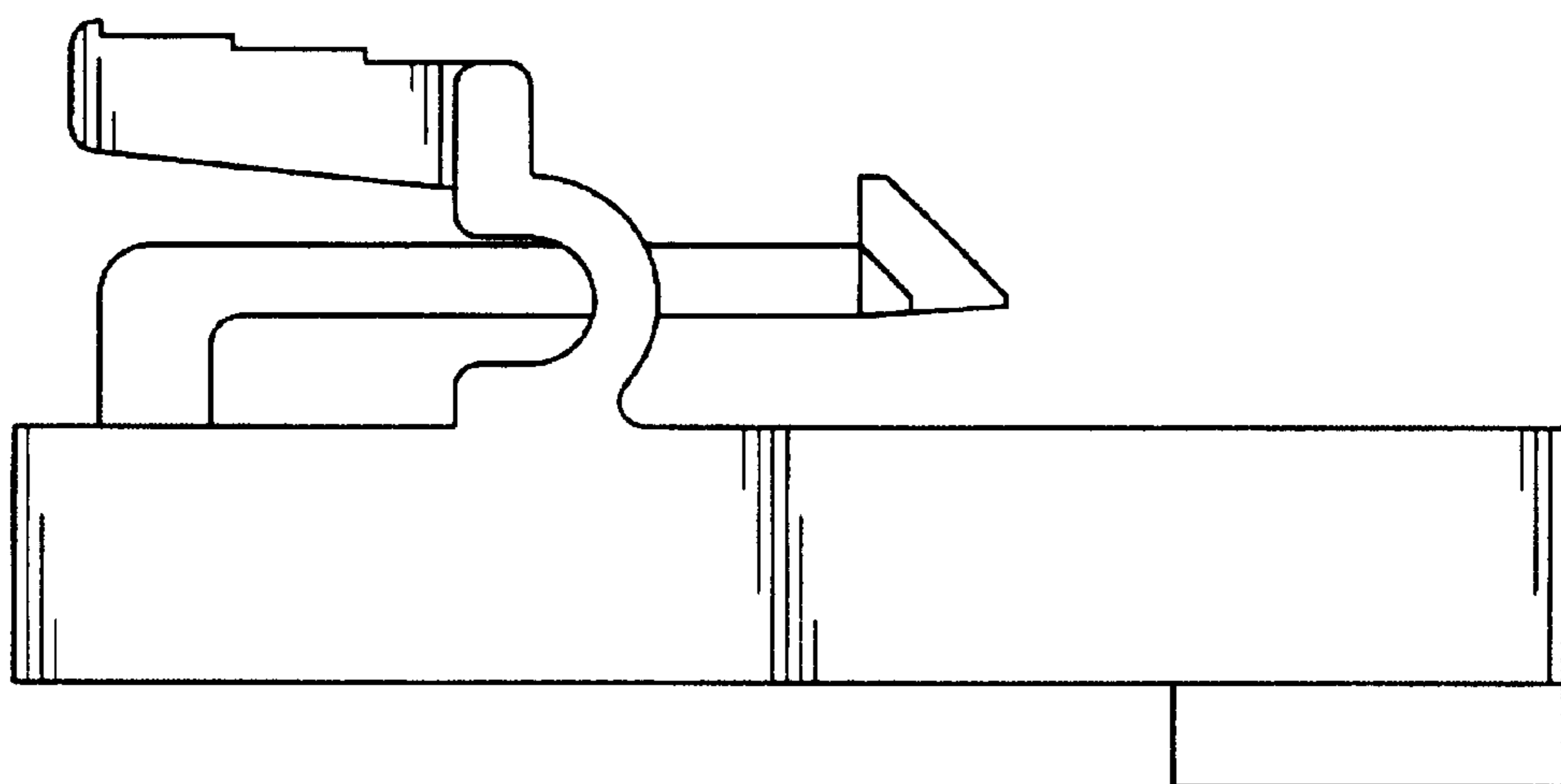


FIG. 5

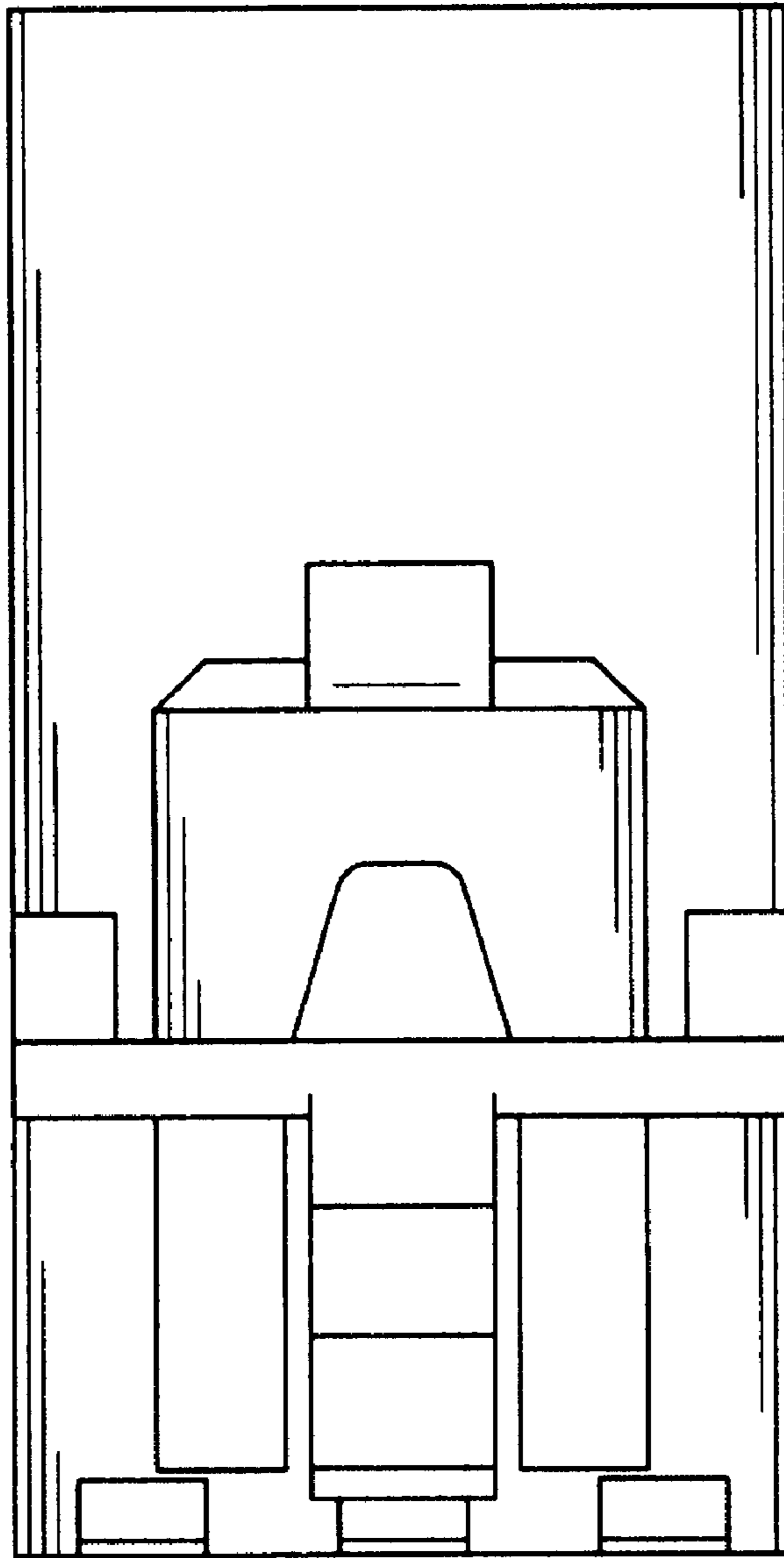


FIG. 6

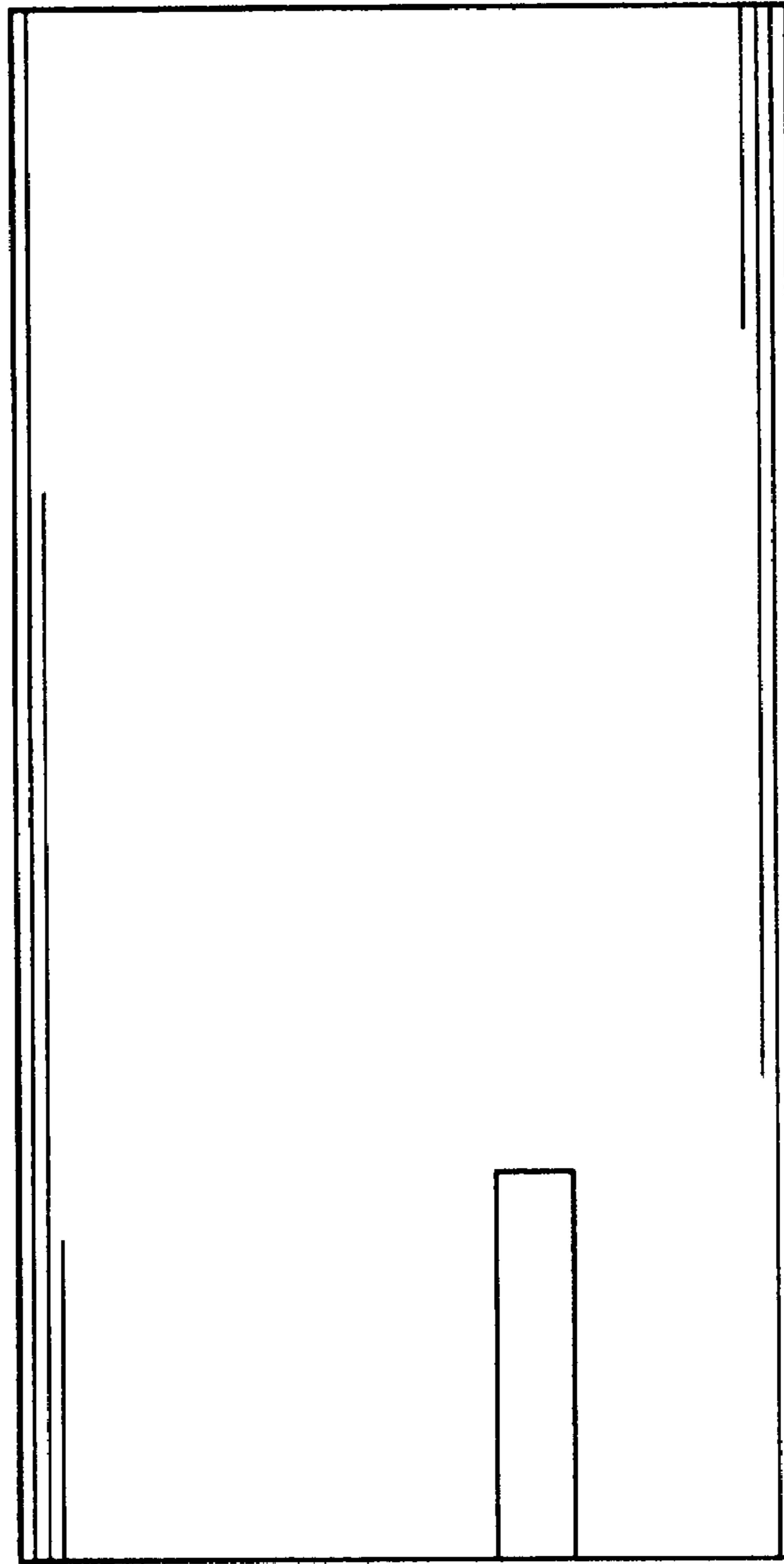


FIG. 7