



US00D479197S

(12) **United States Design Patent**  
**Zhang et al.**

(10) **Patent No.:** **US D479,197 S**

(45) **Date of Patent:** **\*\* Sep. 2, 2003**

(54) **ELECTRICAL CONNECTOR**

(75) Inventors: **Guohua Zhang**, Kunsan (CN); **Qijun Zhao**, Kunsan (CN); **ZiQiang Zhu**, Kunsan (CN)

(73) Assignee: **Hon Hai Precision Ind. Co., Ltd.**, Taipei Hsien (TW)

(\*\*) Term: **14 Years**

(21) Appl. No.: **29/158,934**

(22) Filed: **Apr. 12, 2002**

(30) **Foreign Application Priority Data**

Apr. 4, 2002 (TW) ..... 91301469

(51) **LOC (7) Cl.** ..... **13-03**

(52) **U.S. Cl.** ..... **D13/146**

(58) **Field of Search** ..... D13/133, 146,  
D13/147; 439/676, 677, 679, 680

(56) **References Cited**

**U.S. PATENT DOCUMENTS**

- 5,091,988 A \* 2/1992 Degani et al. .... 385/71
- 5,096,441 A \* 3/1992 Jaag ..... 439/676
- 5,312,273 A \* 5/1994 Andre et al. .... 439/676 X

- D399,827 S \* 10/1998 Gaffney ..... D13/147
- 6,142,834 A \* 11/2000 Liao ..... 439/676
- 6,168,473 B1 \* 1/2001 Hsin ..... 439/676
- 6,273,751 B1 \* 8/2001 Francaviglia ..... 439/511
- 6,350,156 B1 \* 2/2002 Hasircoglu et al. .... 439/676
- 6,383,011 B2 \* 5/2002 Chen ..... 439/358

\* cited by examiner

*Primary Examiner*—Joel Sincavage

(74) *Attorney, Agent, or Firm*—Wei Te Chung

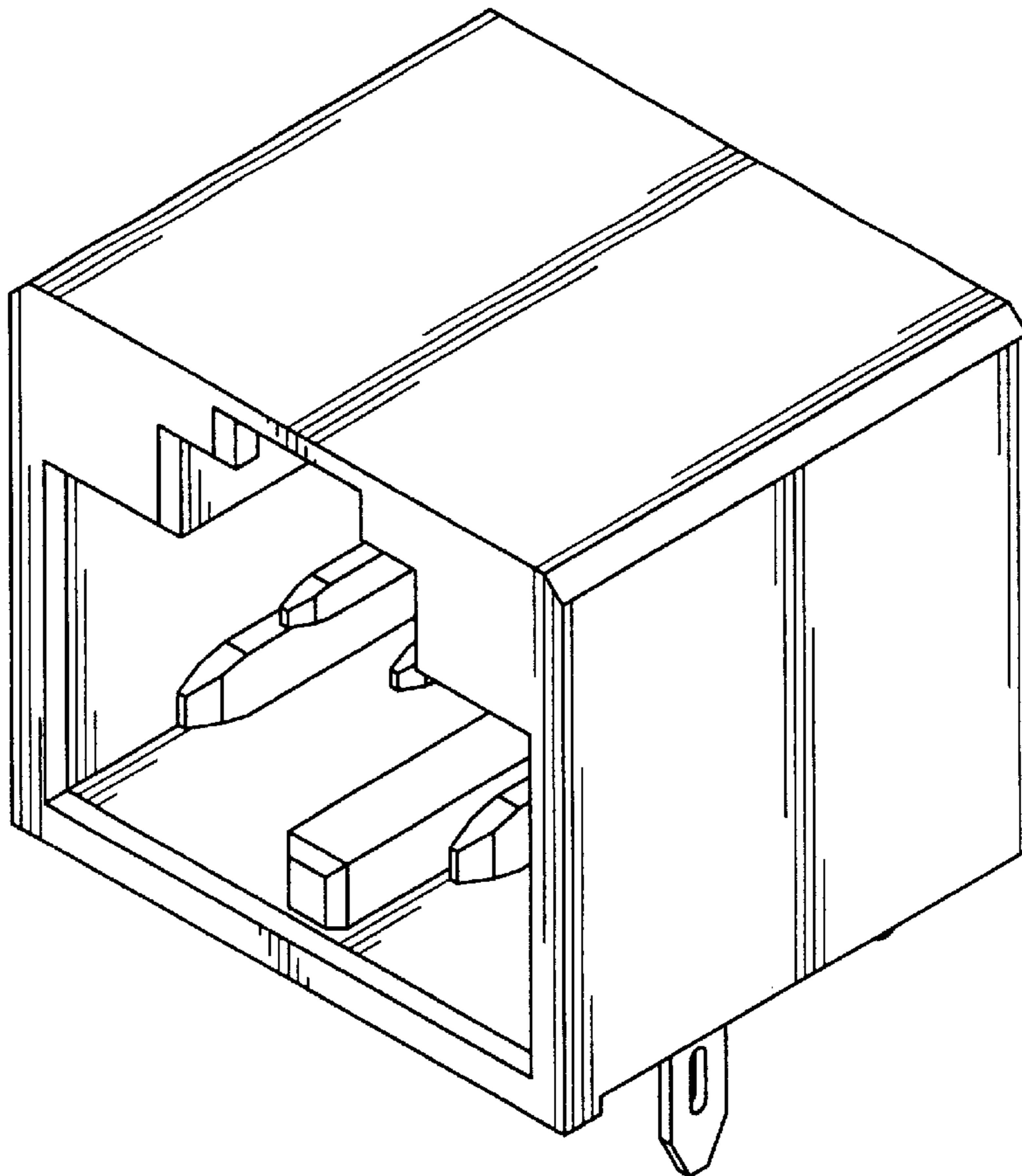
(57) **CLAIM**

The ornamental design for an electrical connector, as shown.

**DESCRIPTION**

FIG. 1 is a front, top and right side perspective view of an electrical connector showing our new design;  
 FIG. 2 is a front elevational view thereof;  
 FIG. 3 is a rear elevational view thereof;  
 FIG. 4 is a left side elevational view thereof;  
 FIG. 5 is a right side elevational view thereof;  
 FIG. 6 is a top plan view thereof;  
 FIG. 7 is a bottom plan view thereof; and,  
 FIG. 8 is a rear, bottom and left side perspective view thereof.

**1 Claim, 8 Drawing Sheets**



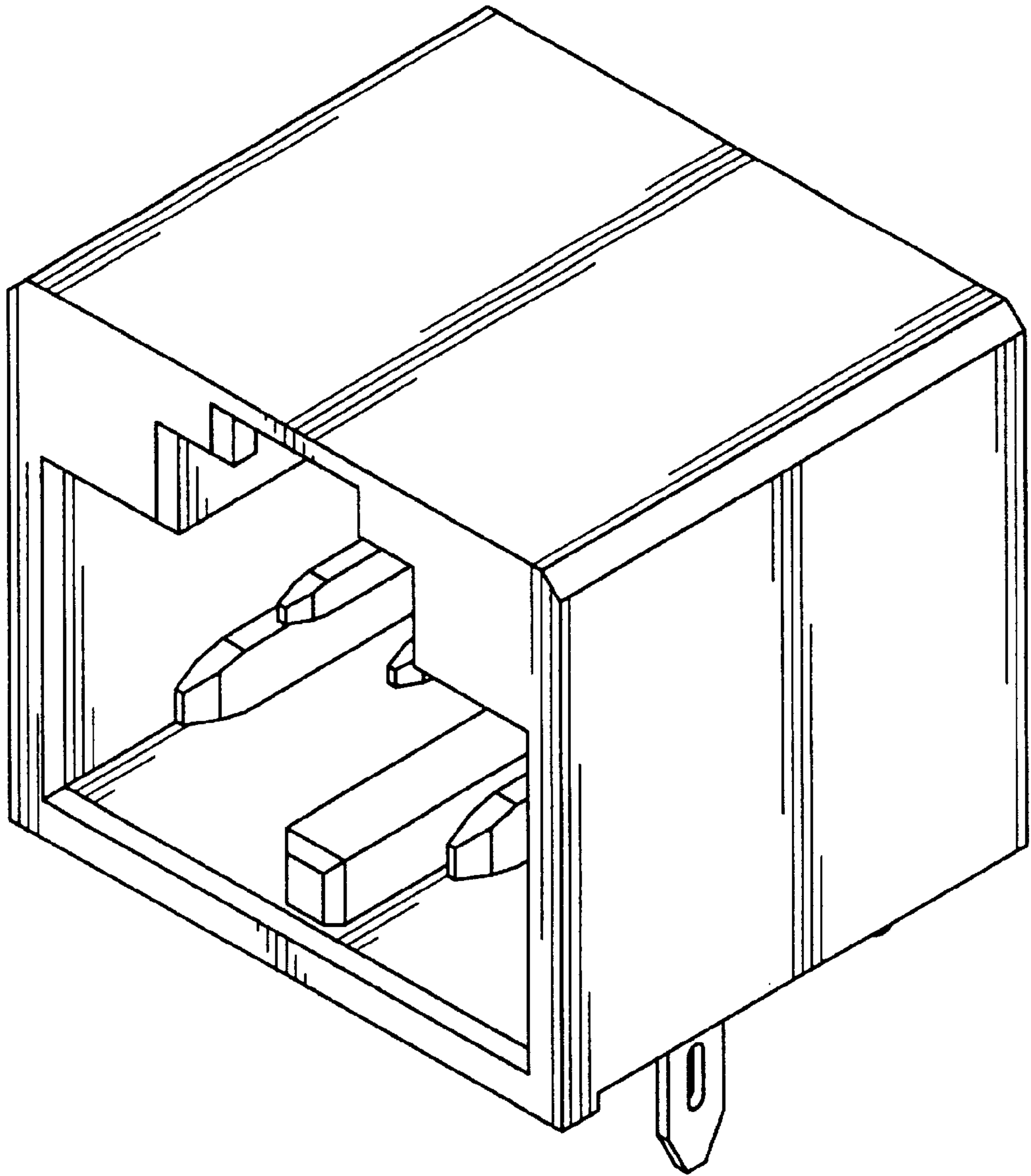


FIG. 1

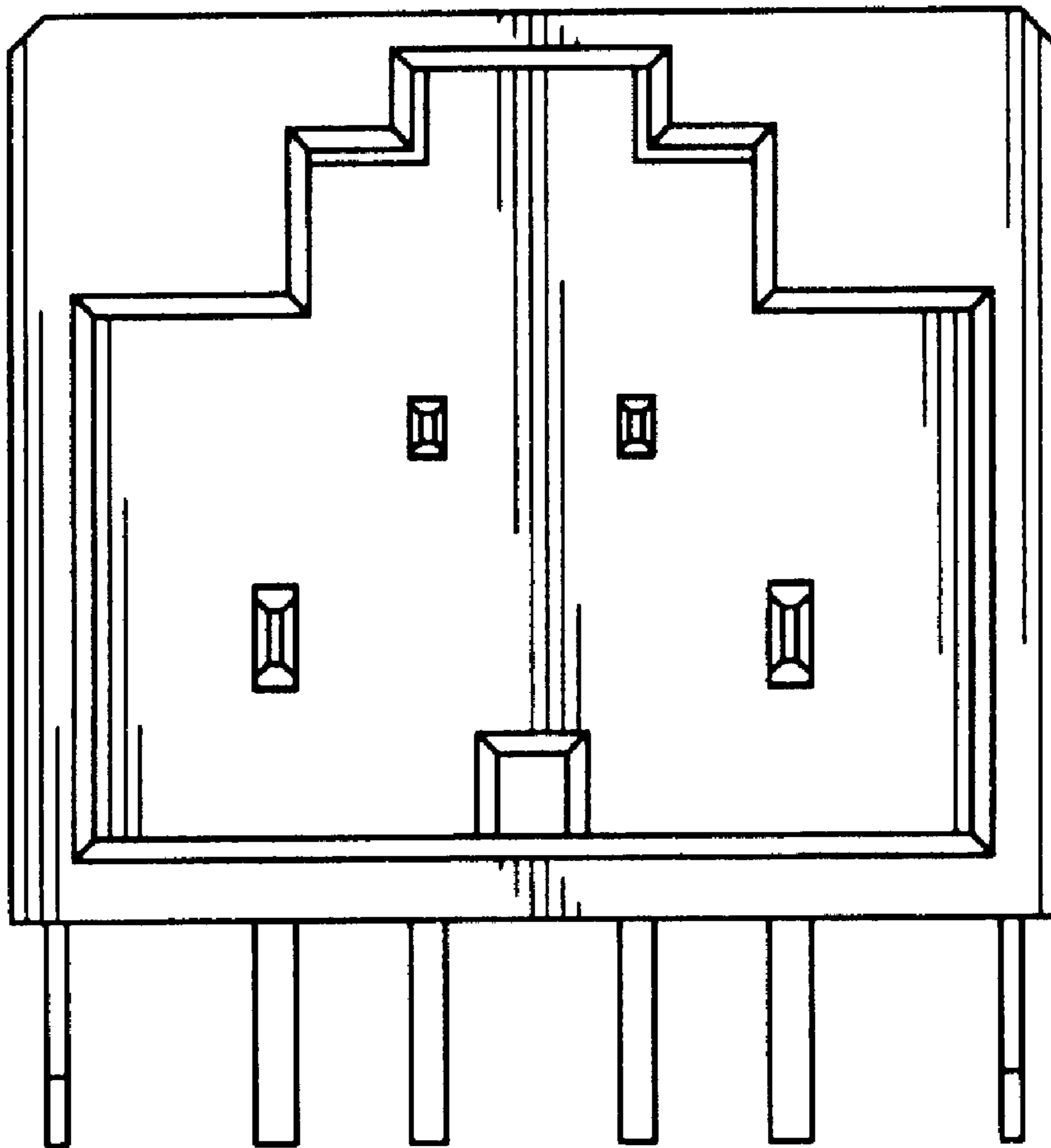


FIG. 2

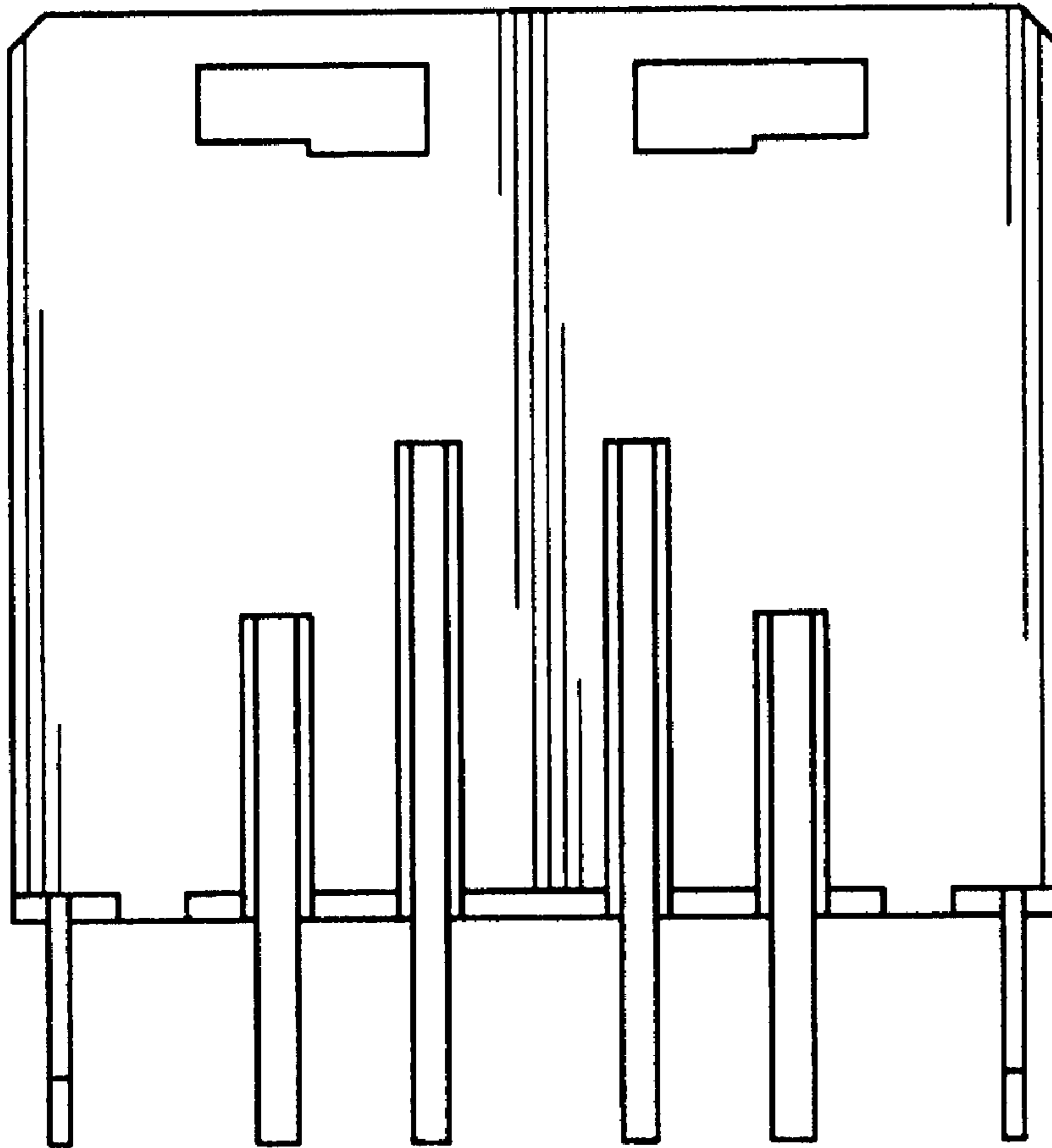


FIG. 3

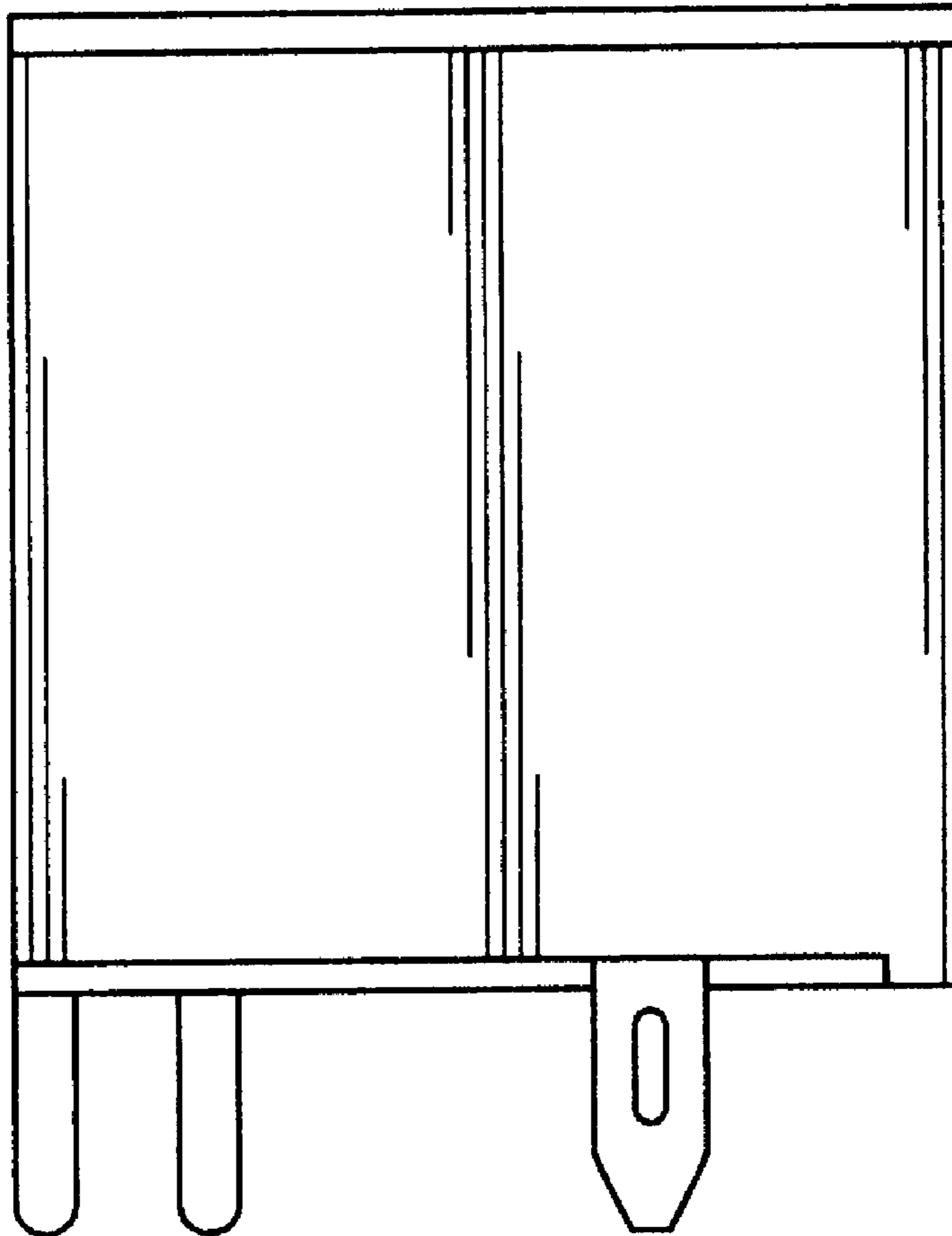


FIG. 4

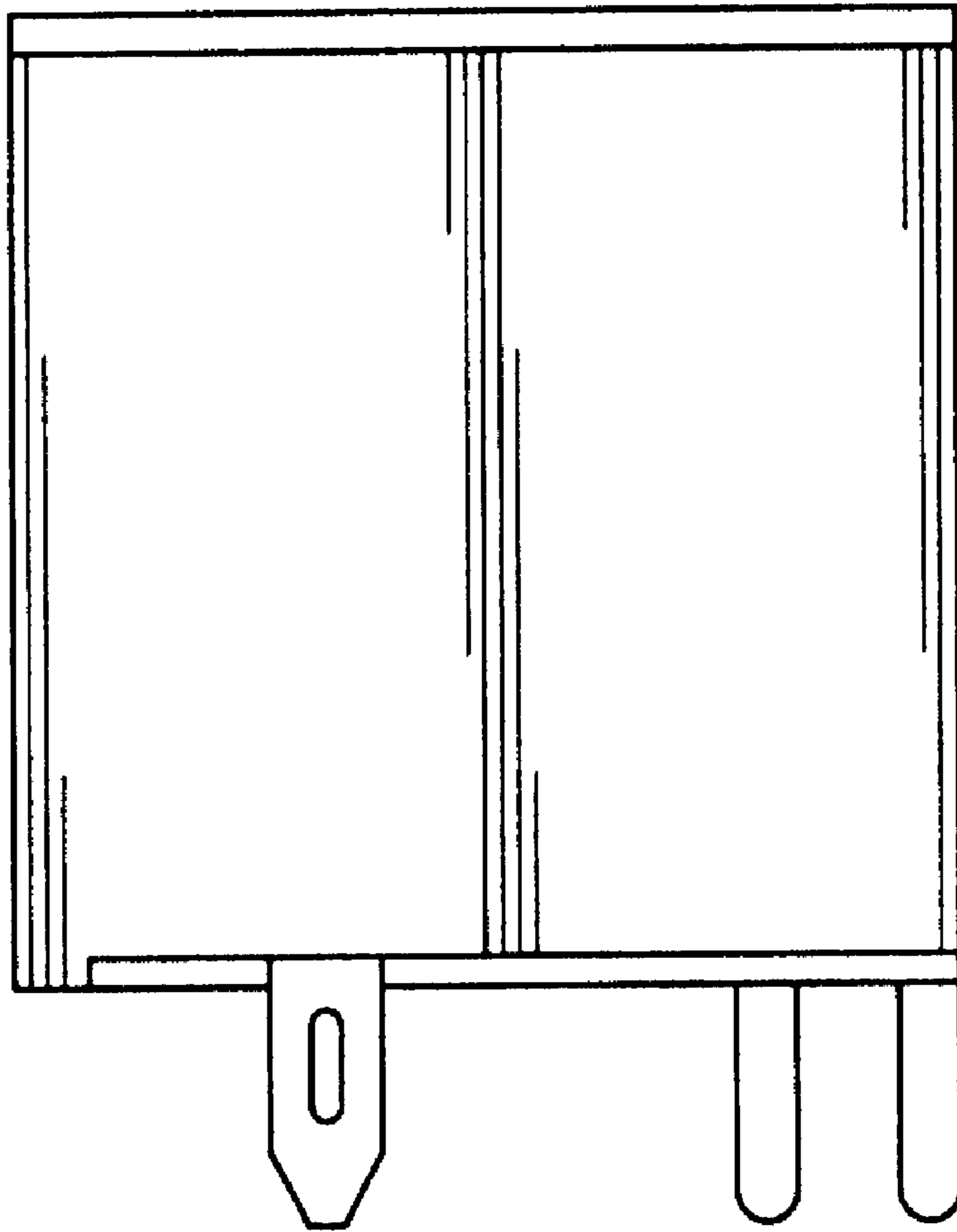


FIG. 5

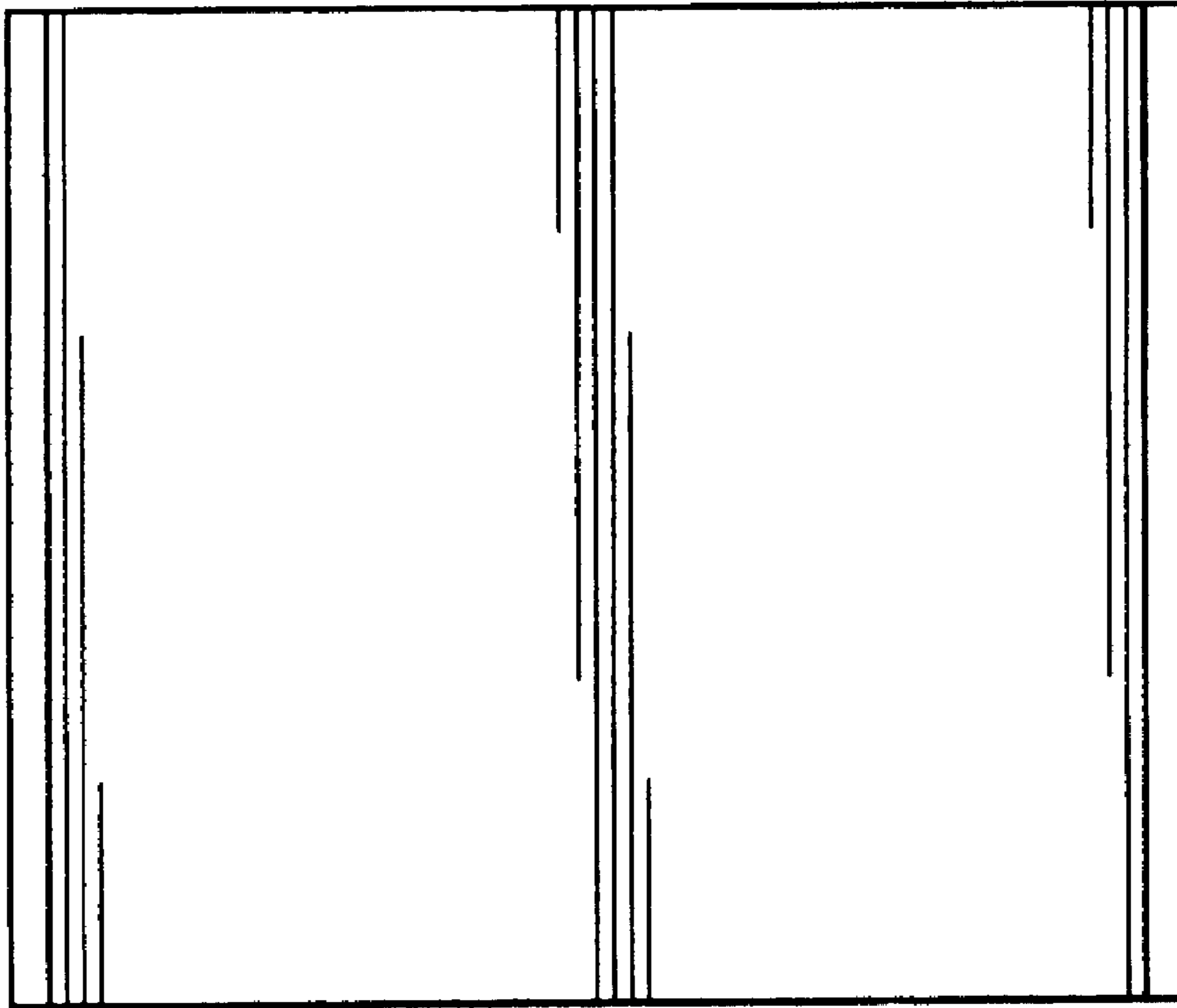


FIG. 6

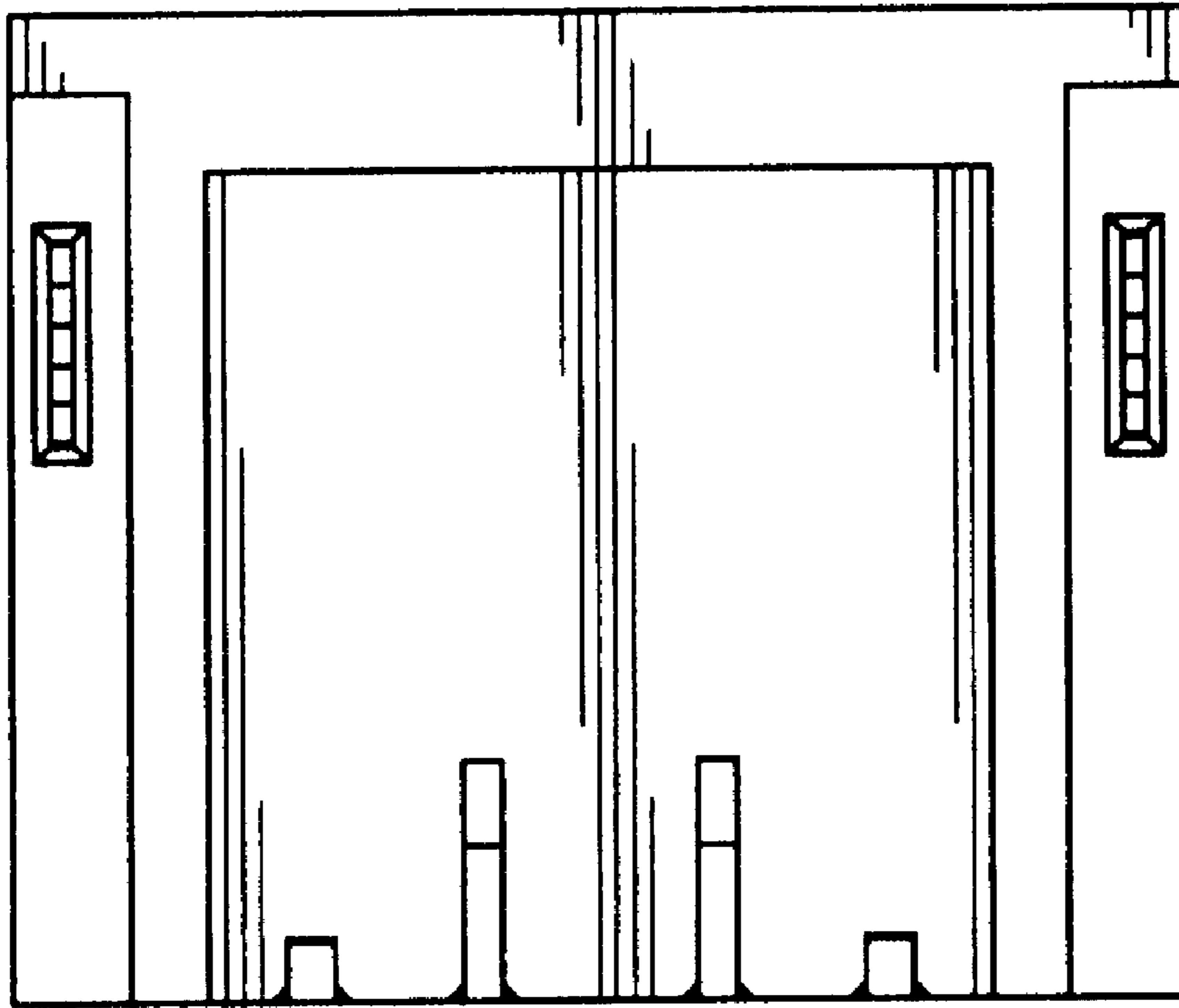


FIG. 7



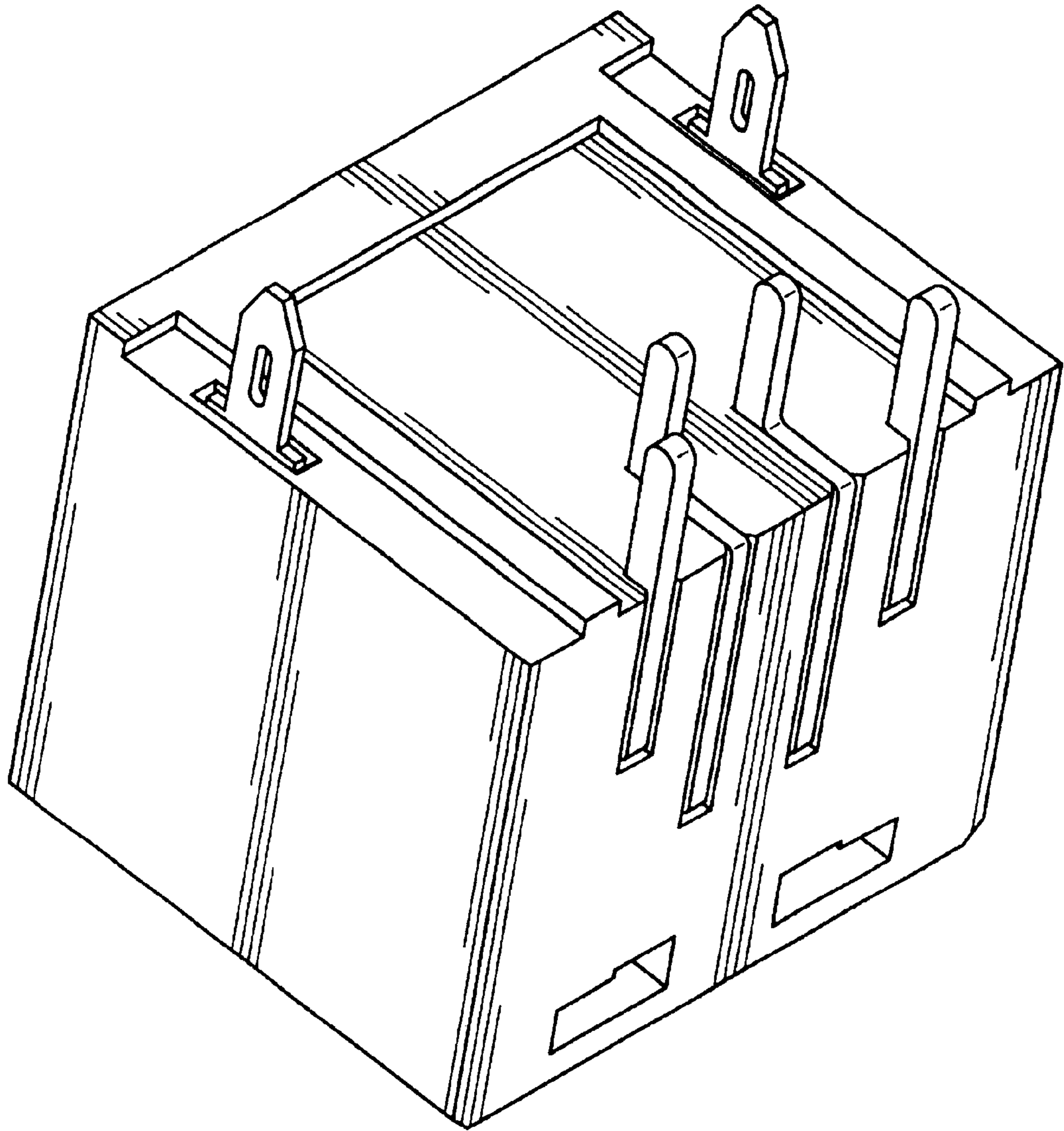


FIG. 8