



US00D479195S

(12) **United States Design Patent**  
**Krieger et al.**

(10) **Patent No.:** **US D479,195 S**

(45) **Date of Patent:** **\*\* Sep. 2, 2003**

(54) **INVERTER**

D449,817 S \* 10/2001 Takeuchi et al. .... D13/110

(75) Inventors: **Michael Krieger**, Miami Beach, FL  
(US); **Kevin Ellsworth**, Hollywood, FL  
(US)

\* cited by examiner

*Primary Examiner*—Holly Baynham  
(74) *Attorney, Agent, or Firm*—Venable LLP; Robert  
Kinberg

(73) Assignee: **Vector Products, Inc.**, Ft. Lauderdale,  
FL (US)

(57) **CLAIM**

(\*\*) Term: **14 Years**

The ornamental design for an inverter, as shown and  
described.

(21) Appl. No.: **29/174,253**

**DESCRIPTION**

(22) Filed: **Jan. 15, 2003**

(51) **LOC (7) Cl.** ..... **13-02**

(52) **U.S. Cl.** ..... **D13/110**

(58) **Field of Search** ..... D13/110, 118;  
361/678, 695, 730; 363/141

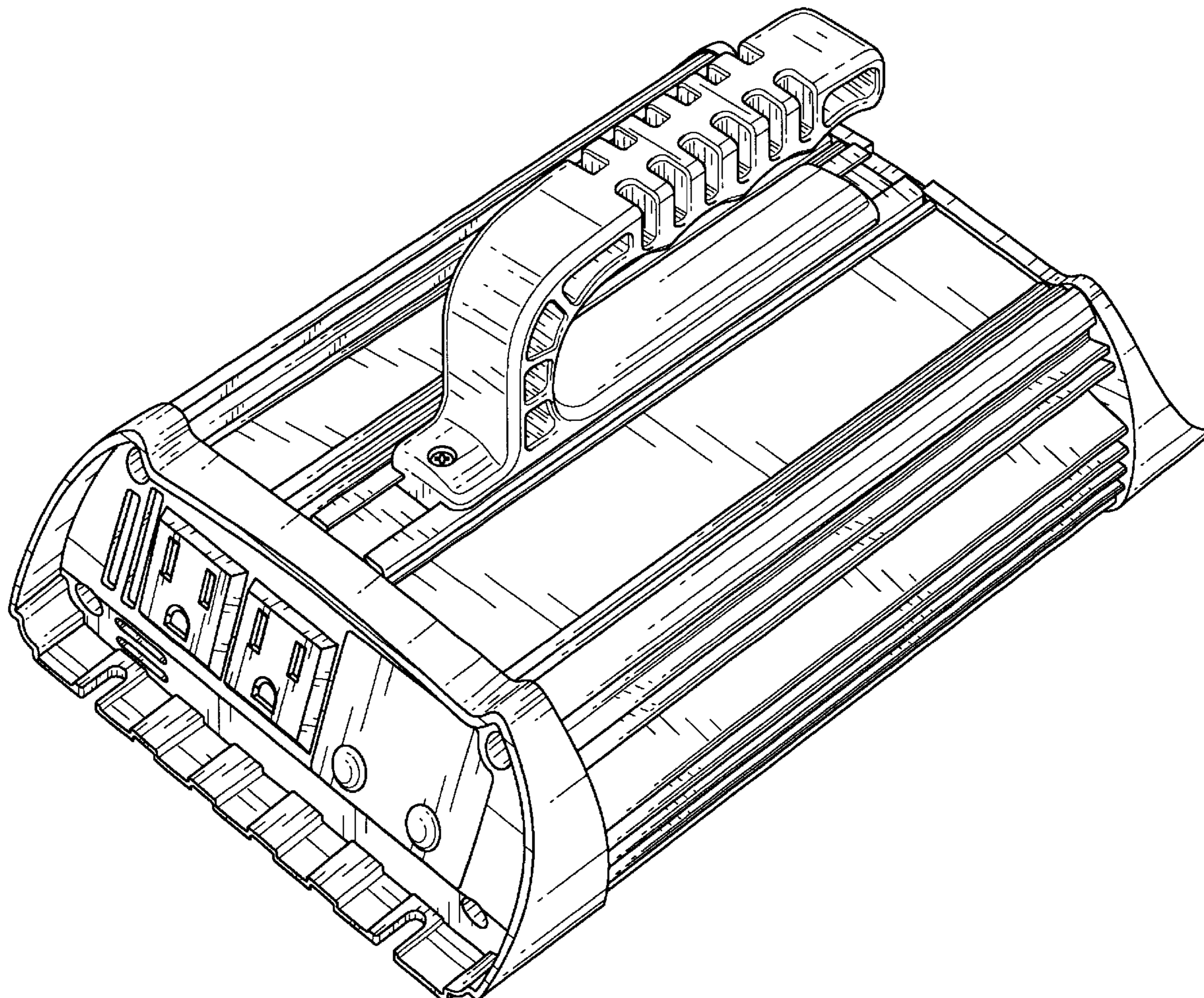
FIG. 1 is a perspective view from the front-top-right side of  
the inverter showing our new design;  
FIG. 2 is an enlarged front view of the design shown in FIG.  
1;  
FIG. 3 is a rear view of the design shown in FIG. 1;  
FIG. 4 is a left side view of the design shown in FIG. 1;  
FIG. 5 is a right side view of the design shown in FIG. 1;  
FIG. 6 is a top view of the design shown in FIG. 1; and,  
FIG. 7 is a bottom view of the design shown in FIG. 1.

(56) **References Cited**

**U.S. PATENT DOCUMENTS**

D372,017 S \* 7/1996 Suematsu ..... D13/110  
D436,918 S \* 1/2001 Matsuda ..... D13/110

**1 Claim, 7 Drawing Sheets**



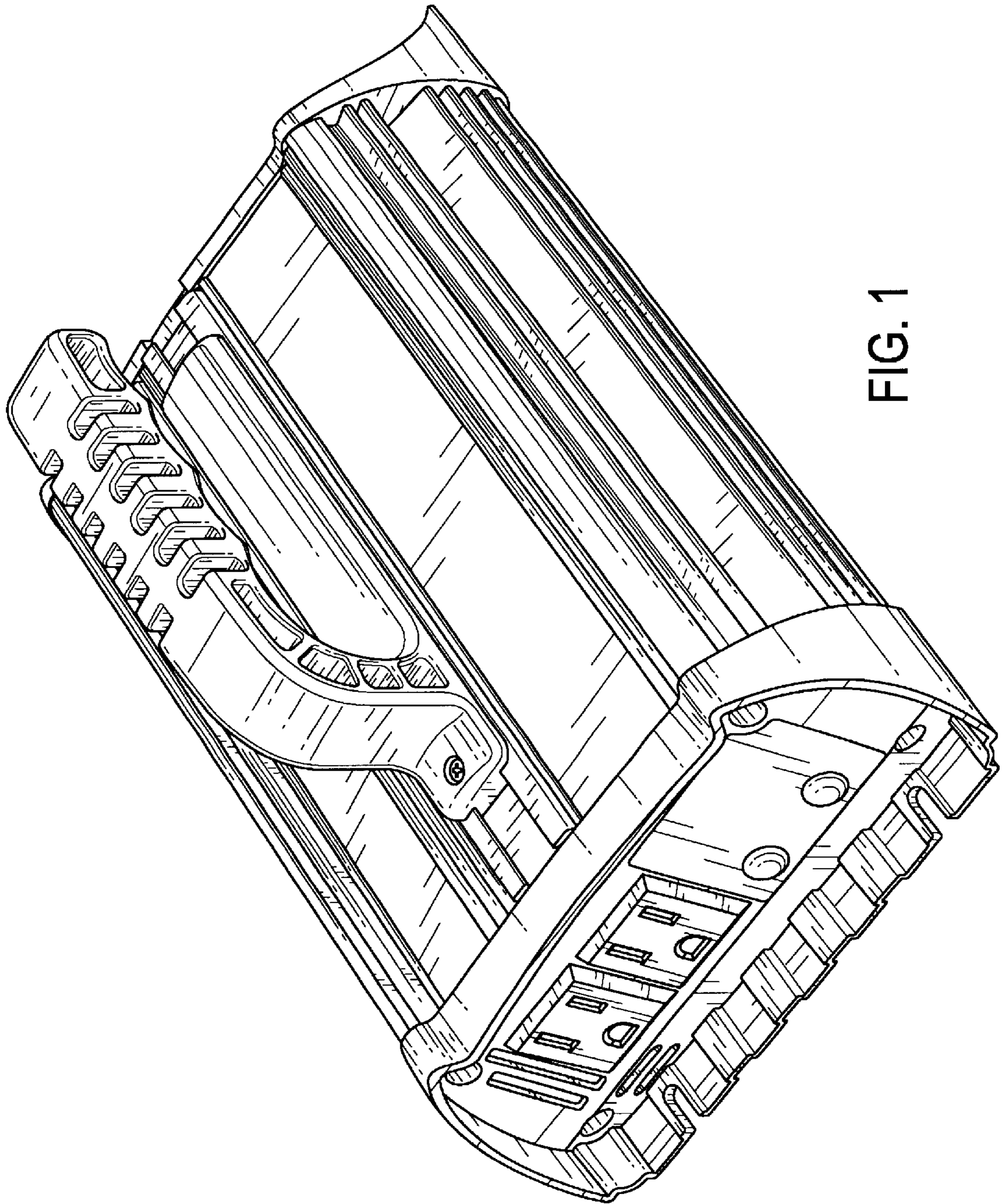


FIG. 1

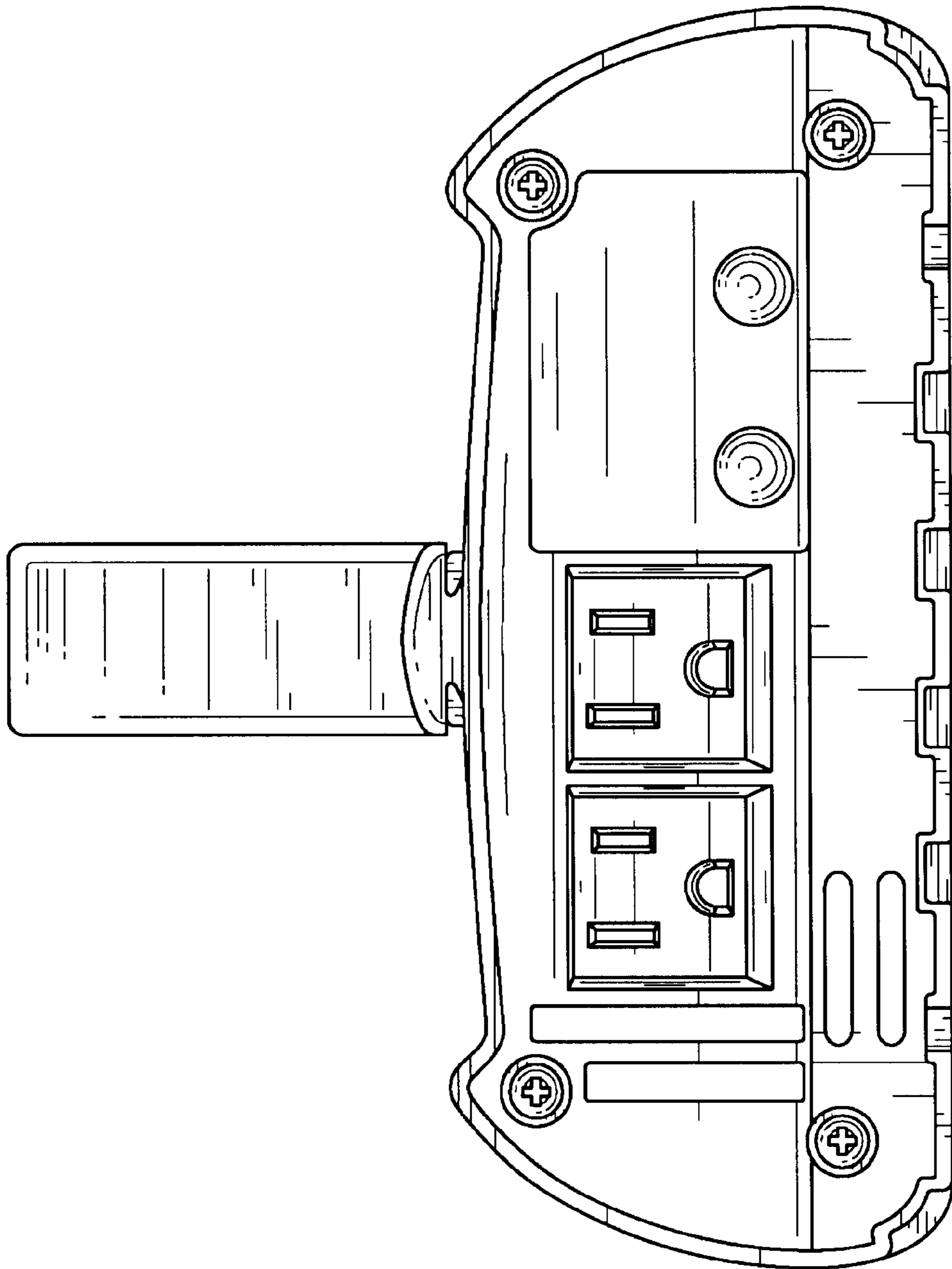


FIG. 2

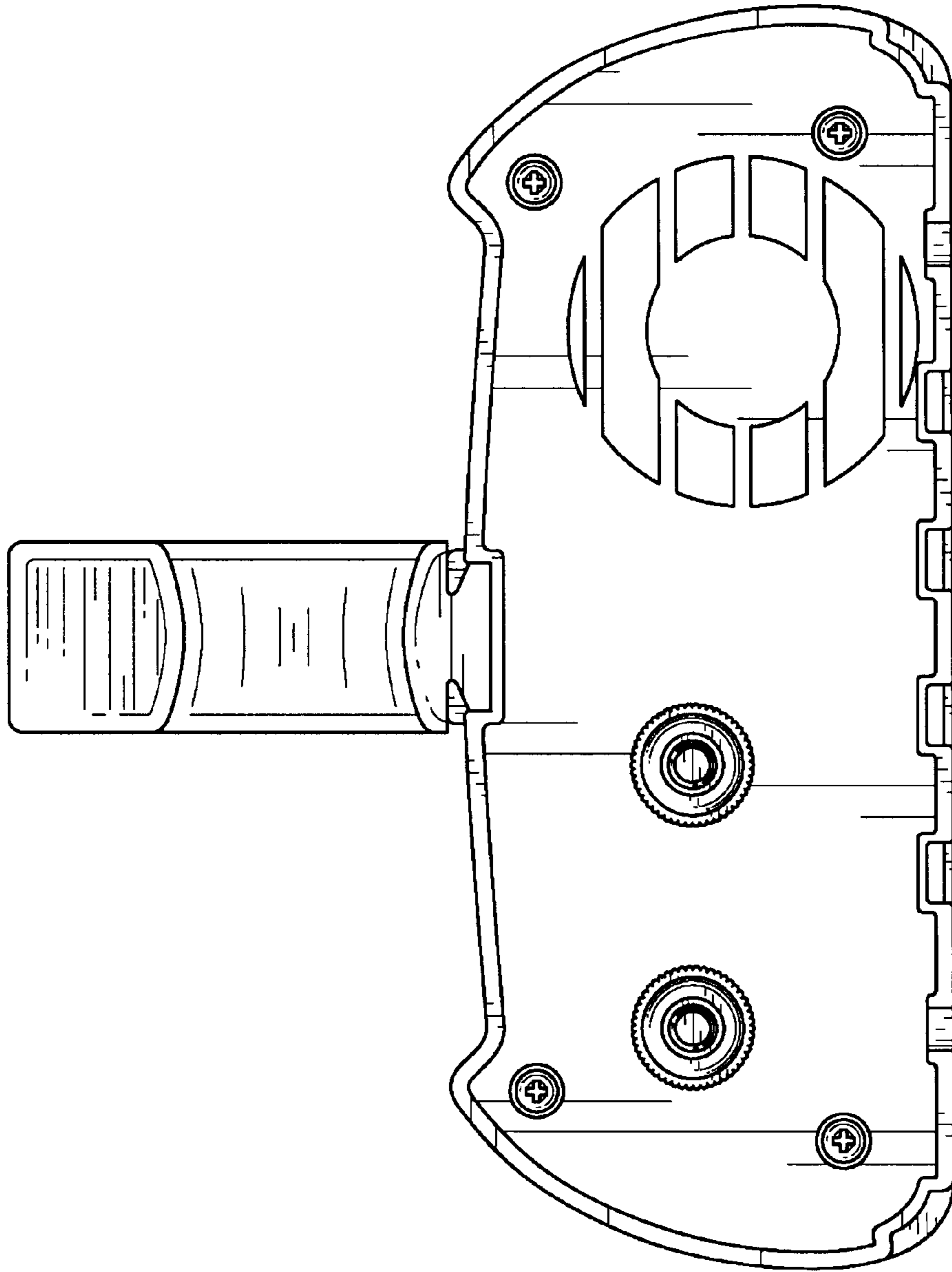


FIG. 3

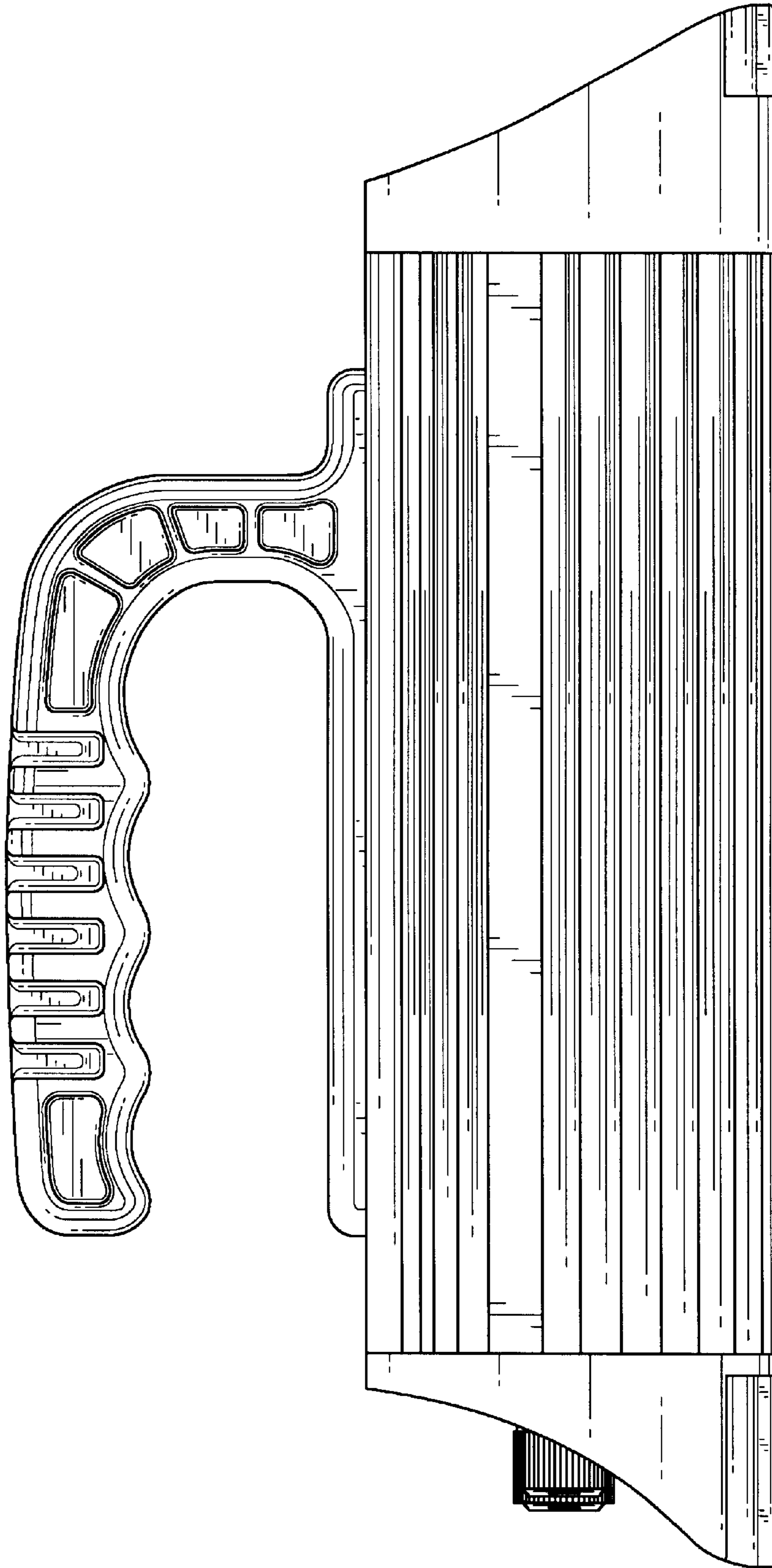


FIG. 4

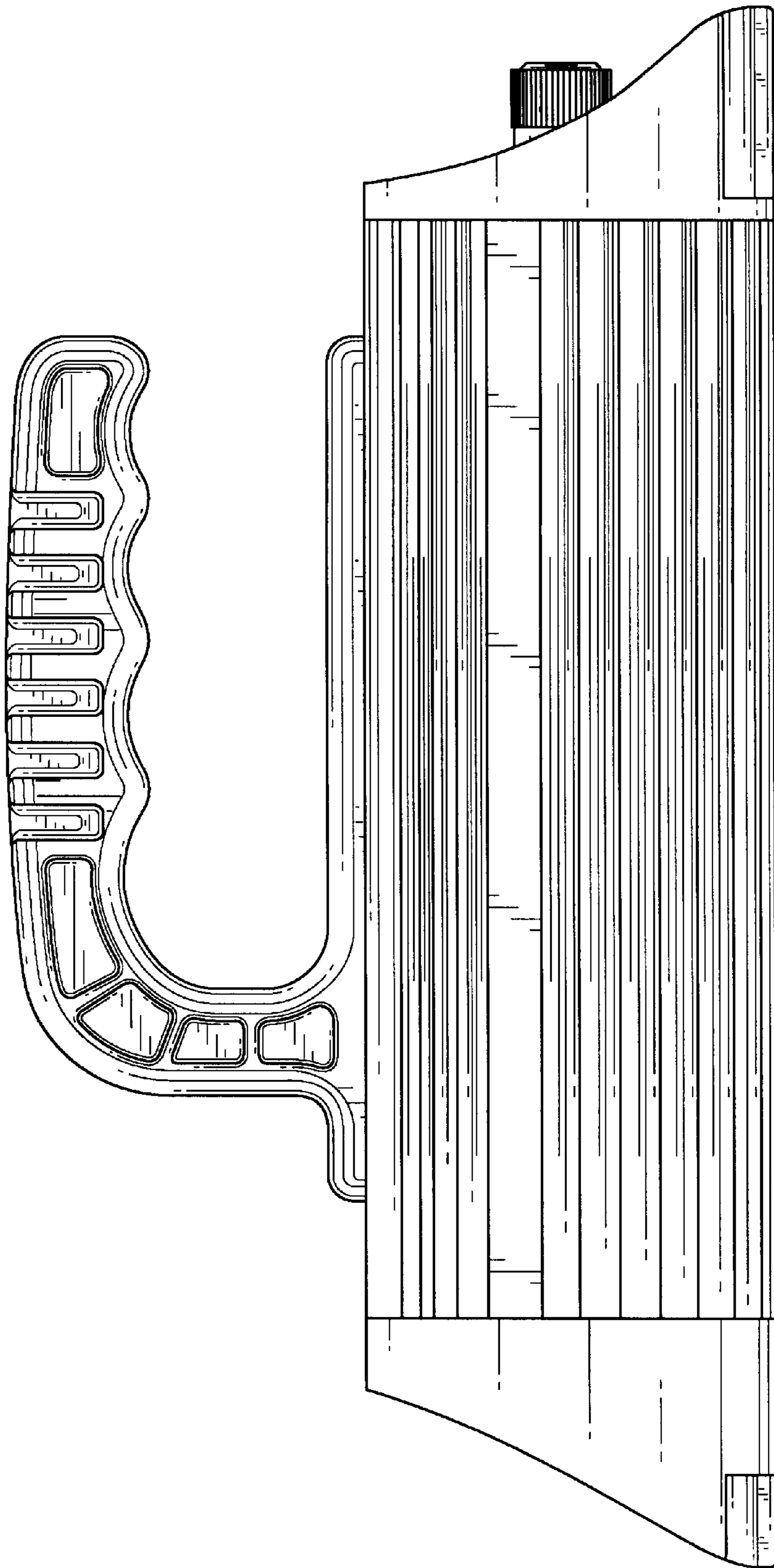


FIG. 5

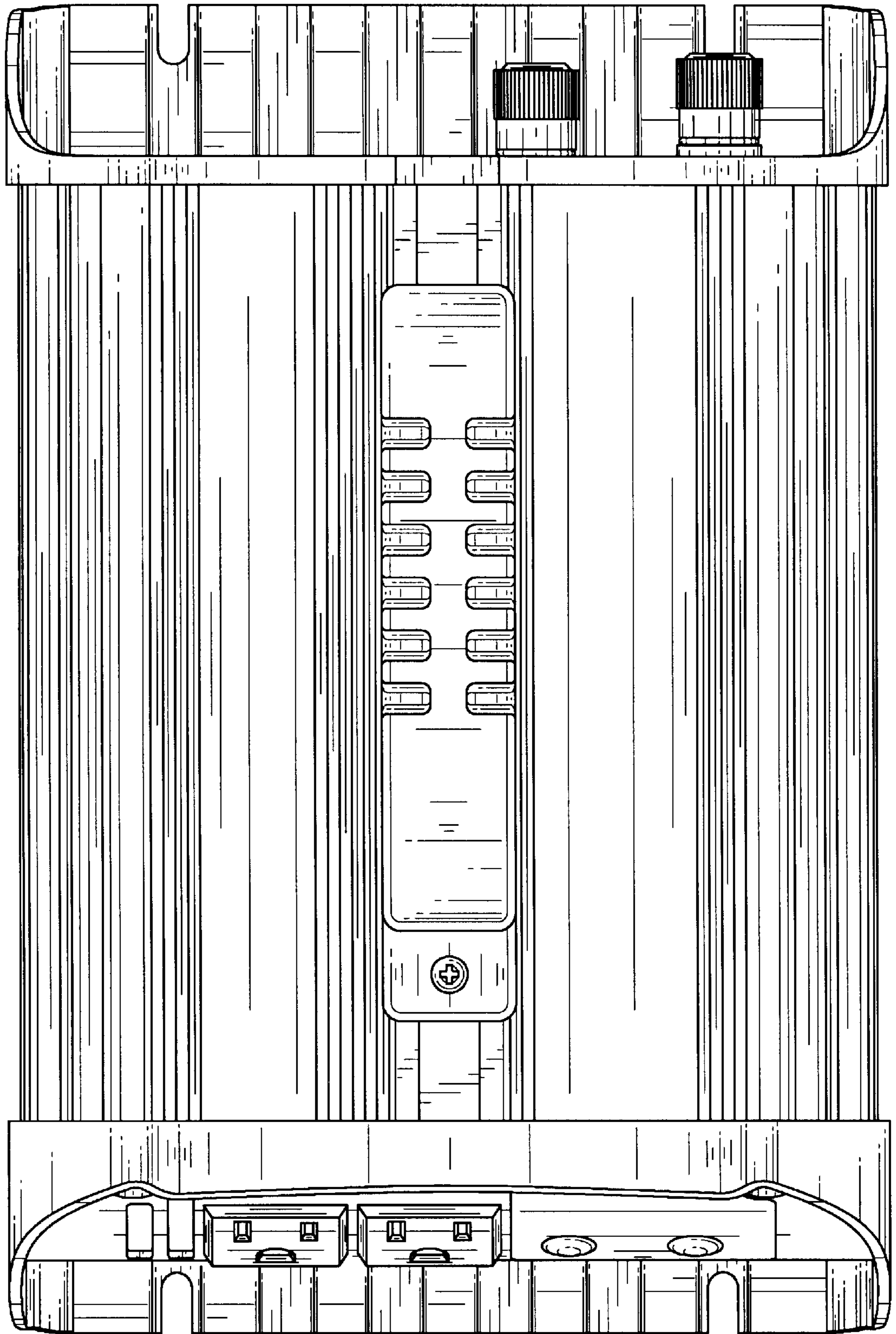


FIG. 6

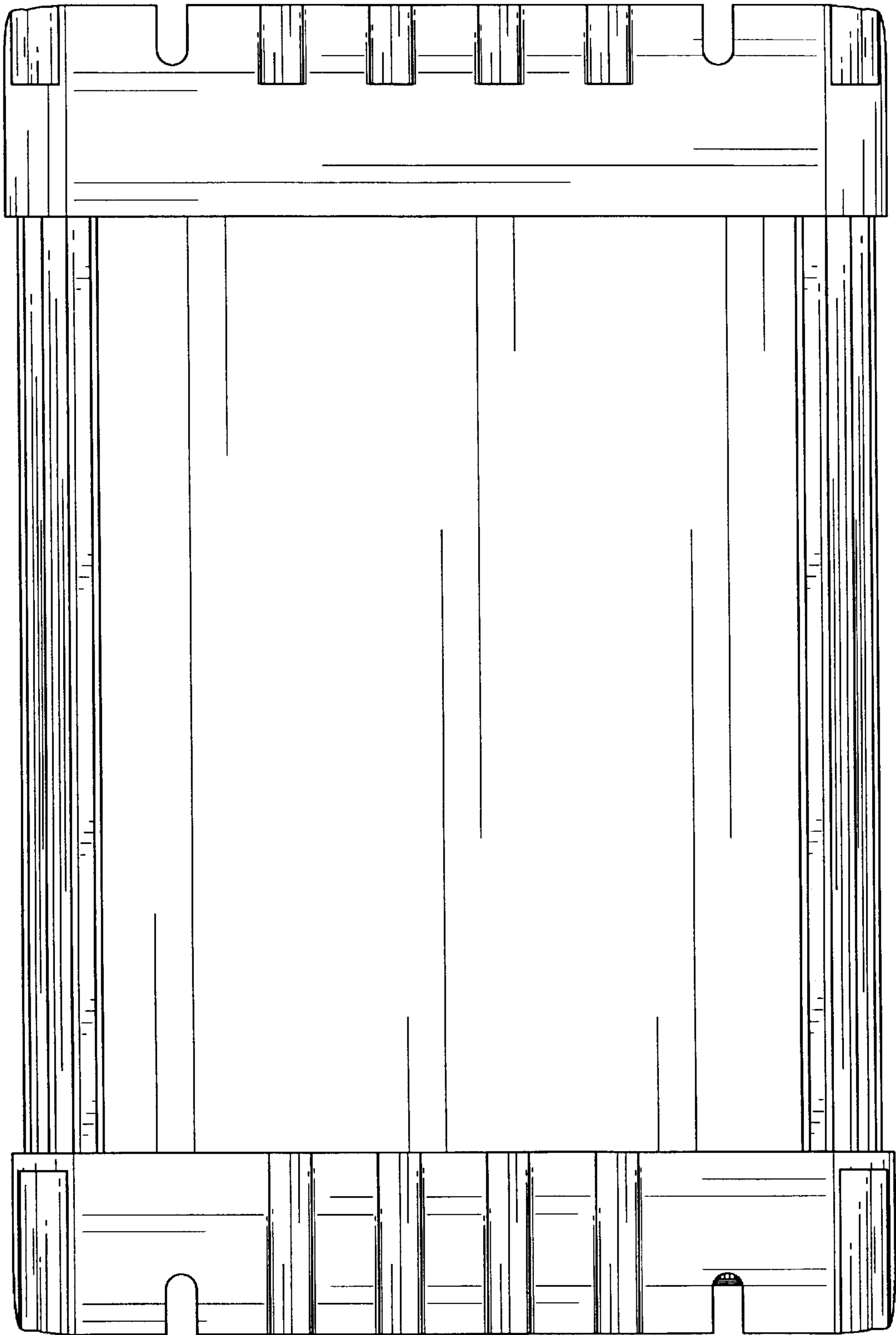


FIG. 7