



US00D479192S

(12) **United States Design Patent**
Fujihara et al.

(10) **Patent No.:** **US D479,192 S**

(45) **Date of Patent:** **** Sep. 2, 2003**

(54) **BATTERY**

(75) Inventors: **Yoshihisa Fujihara**, Osaka (JP); **Naoto Sugimune**, Osaka (JP); **Yoshiki Somatomo**, Osaka (JP)

(73) Assignee: **Hitachi Maxell, Ltd.**, Osaka (JP)

(**) Term: **14 Years**

(21) Appl. No.: **29/167,651**

(22) Filed: **Sep. 19, 2002**

(30) **Foreign Application Priority Data**

Mar. 20, 2002 (JP) 2002-007448

(51) **LOC (7) Cl.** **13-02**

(52) **U.S. Cl.** **D13/103**

(58) **Field of Search** D13/103; D14/436;
429/96-100, 159, 162, 163, 176

(56) **References Cited**

U.S. PATENT DOCUMENTS

4,060,669 A * 11/1977 Fanciullo 429/162 X
D302,005 S * 7/1989 Kizawa et al. D13/103
D375,941 S * 11/1996 Kerklaan D14/436 X
6,482,544 B1 * 11/2002 Shiota et al. 429/176 X

OTHER PUBLICATIONS

Official Japanese Gazette, Sep. 4, 2002.

* cited by examiner

Primary Examiner—Joel Sincavage

(74) *Attorney, Agent, or Firm*—Birch, Stewart, Kolasch & Birch, LLP

(57) **CLAIM**

The ornamental design for a battery, substantially as shown and described.

DESCRIPTION

FIG. 1 is a perspective view of the battery of the present invention;

FIG. 2 is a front view of the battery of the present invention;

FIG. 3 is a rear view of the battery of the present invention;

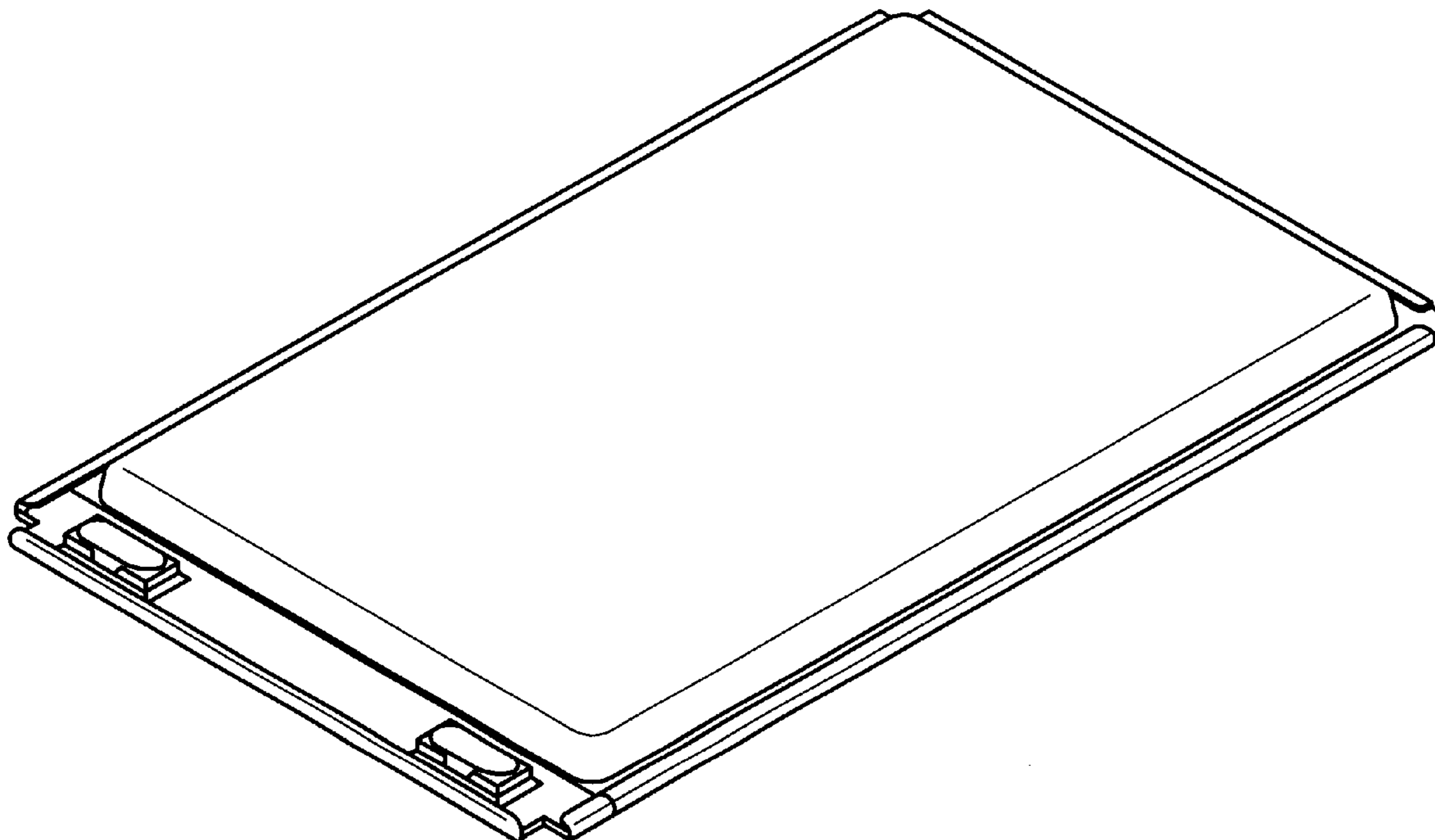
FIG. 4 is a left side view of the battery of the present invention;

FIG. 5 is a right side view of the battery of the present invention;

FIG. 6 is a top plan view of the battery of the present invention; and,

FIG. 7 is a bottom view of the battery of the present invention.

1 Claim, 4 Drawing Sheets



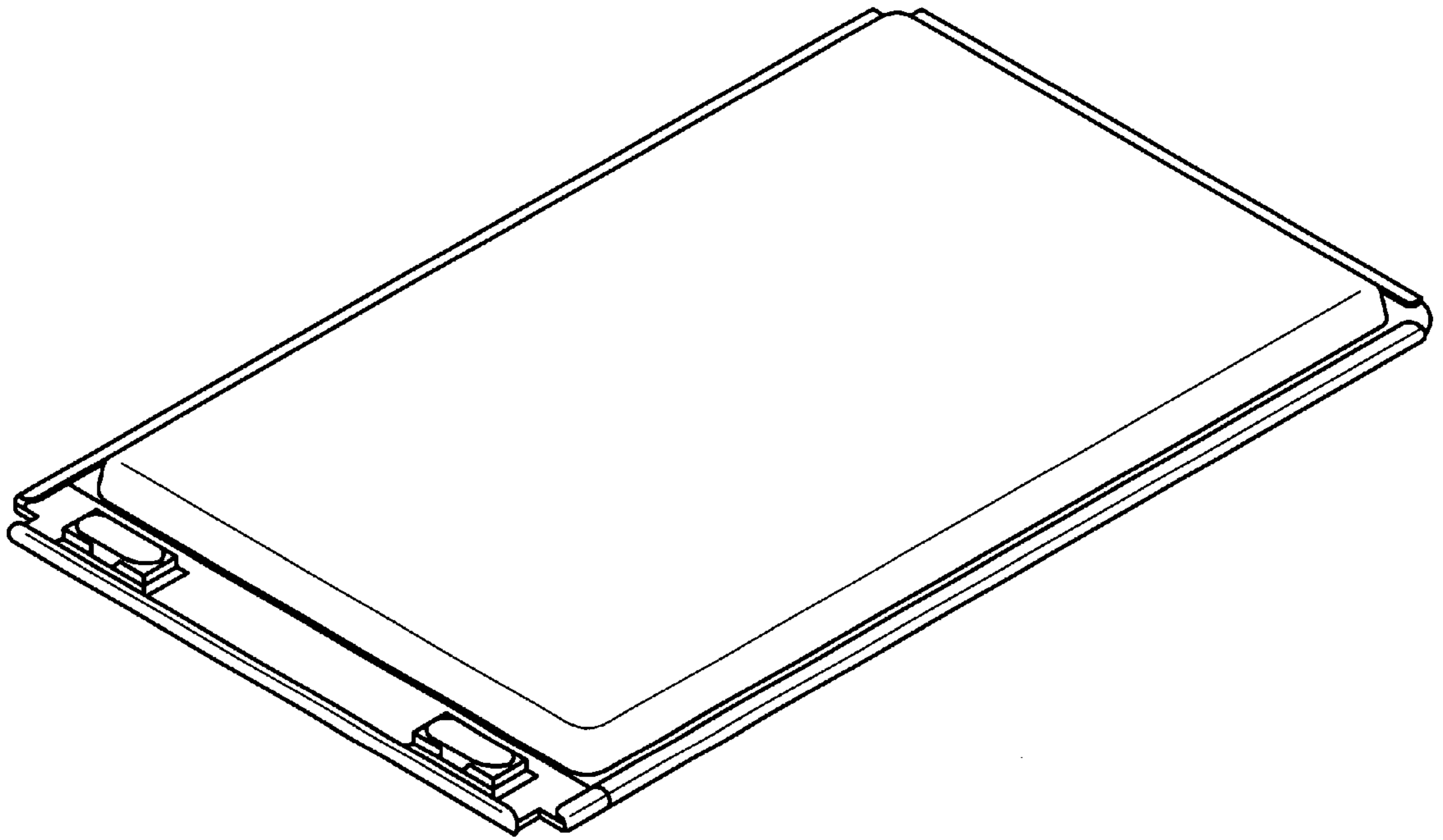


FIG. 1

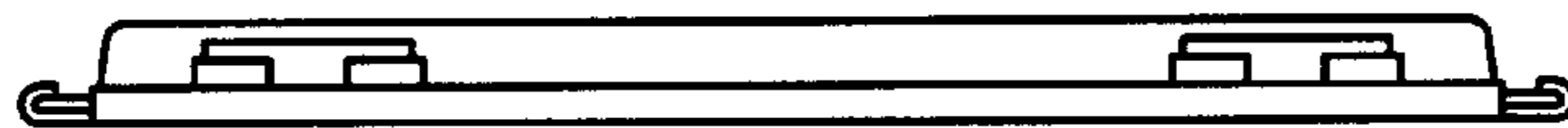


FIG. 2

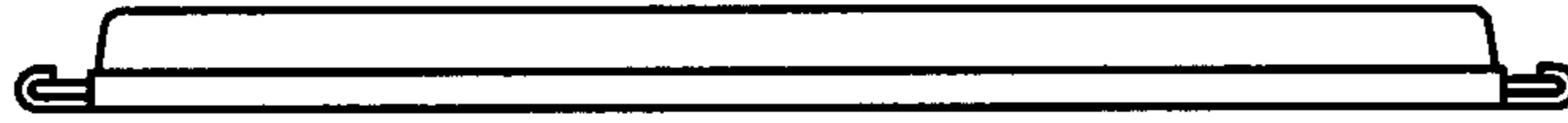


FIG.3

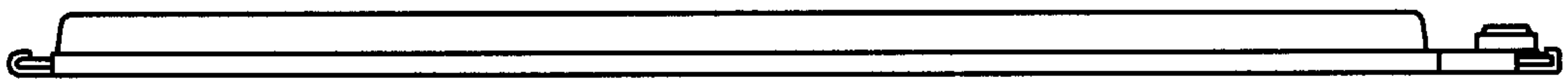


FIG.4

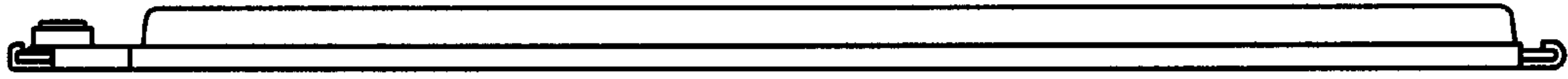


FIG. 5

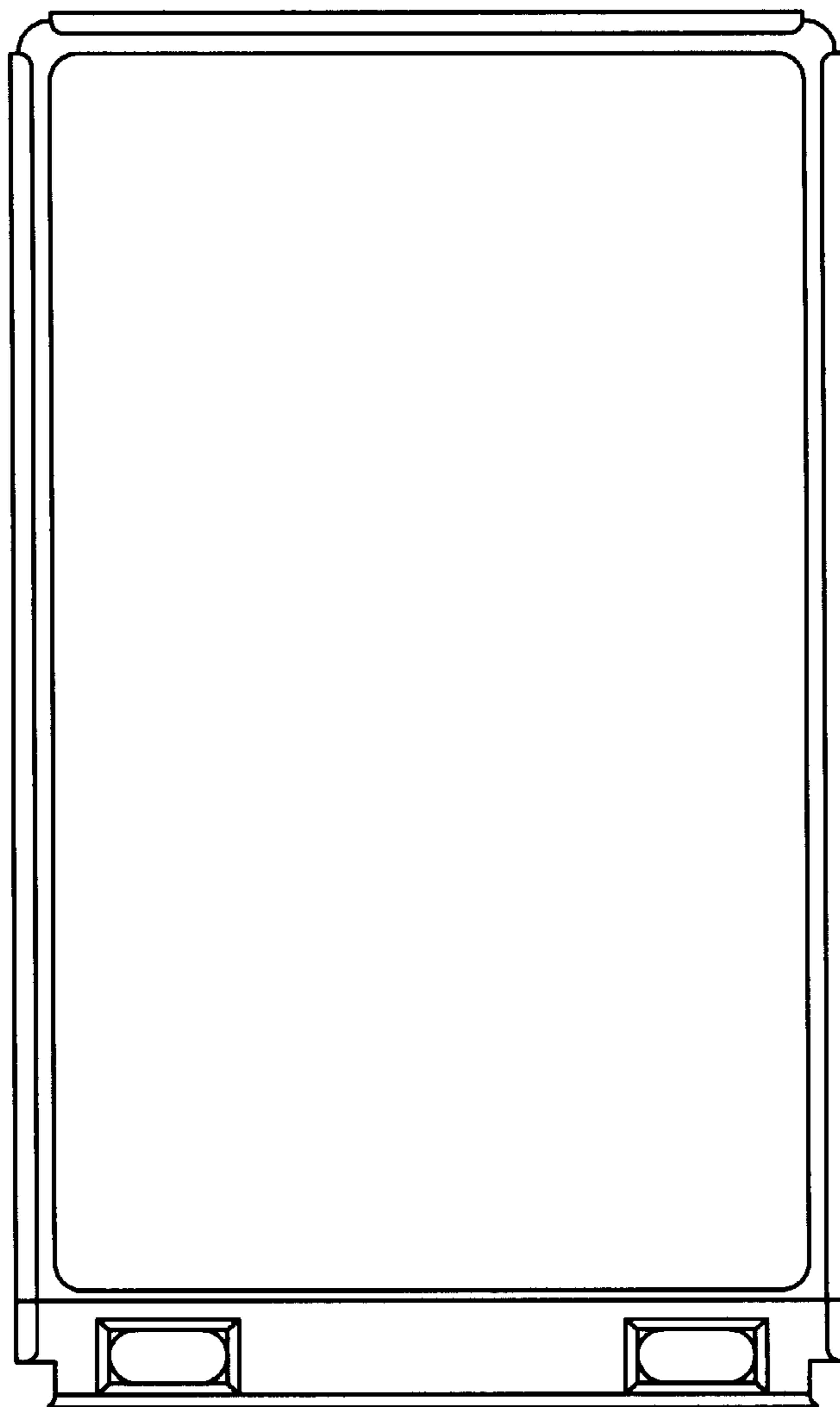


FIG. 6

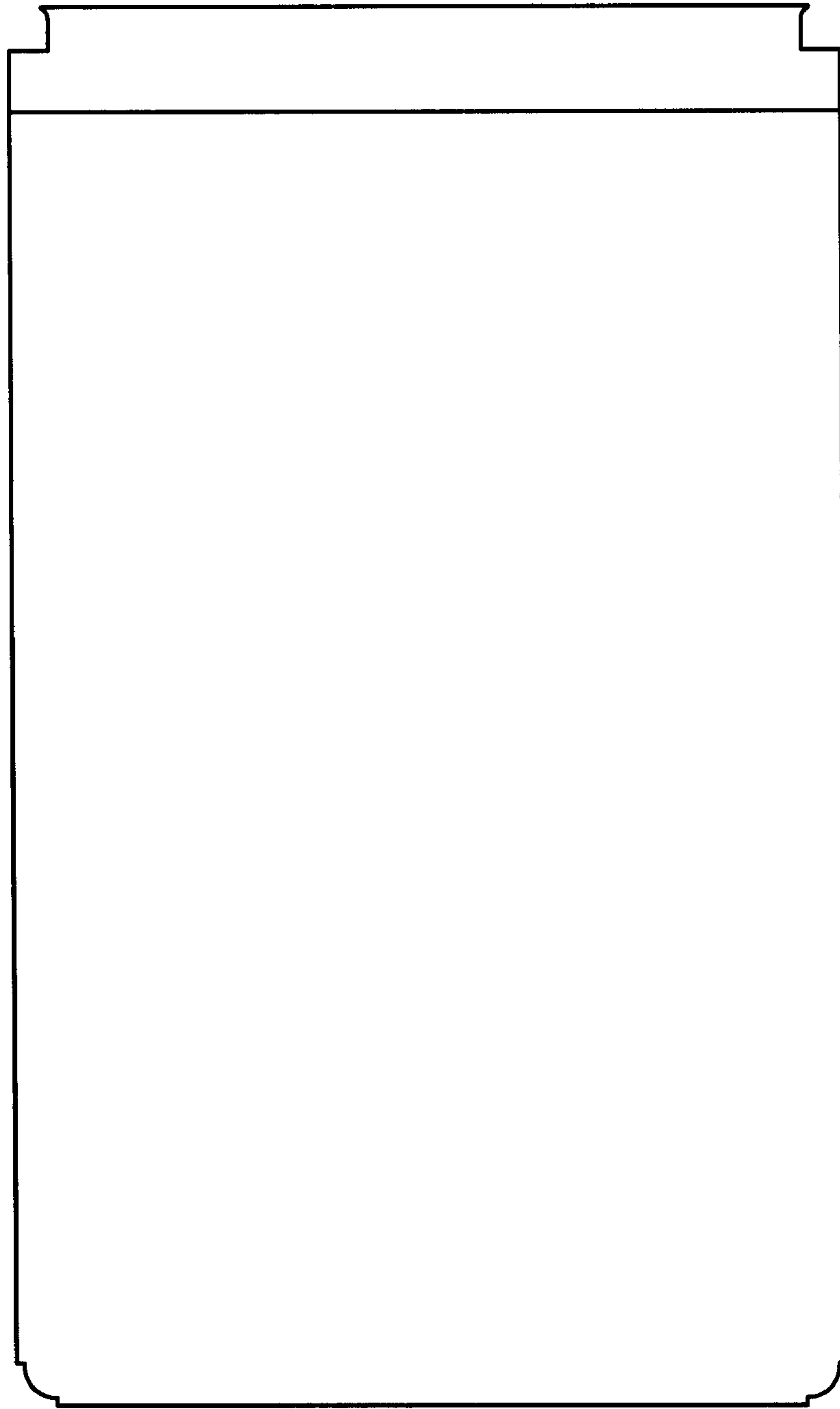


FIG. 7