



US00D479191S

(12) **United States Design Patent**
Peress et al.

(10) **Patent No.:** **US D479,191 S**

(45) **Date of Patent:** **** Sep. 2, 2003**

(54) **BRIEFCASE SOLAR POWER GENERATOR**

(75) Inventors: **Sass M. Peress**, Montreal (CA); **Po K. Lau**, Montreal (CA)

(73) Assignee: **ICP Global Technologies Inc.**, Montreal (CA)

(**) Term: **14 Years**

(21) Appl. No.: **29/165,689**

(22) Filed: **Aug. 16, 2002**

(51) **LOC (7) Cl.** **13-02**

(52) **U.S. Cl.** **D13/102**

(58) **Field of Search** D13/102; 136/244-246;
429/34

(56) **References Cited**

FOREIGN PATENT DOCUMENTS

JP 01295468 * 11/1989
JP 06187868 * 7/1994

* cited by examiner

Primary Examiner—Holly Baynham

(74) *Attorney, Agent, or Firm*—Rothwell, Figg, Ernst & Manbeck, p.c.

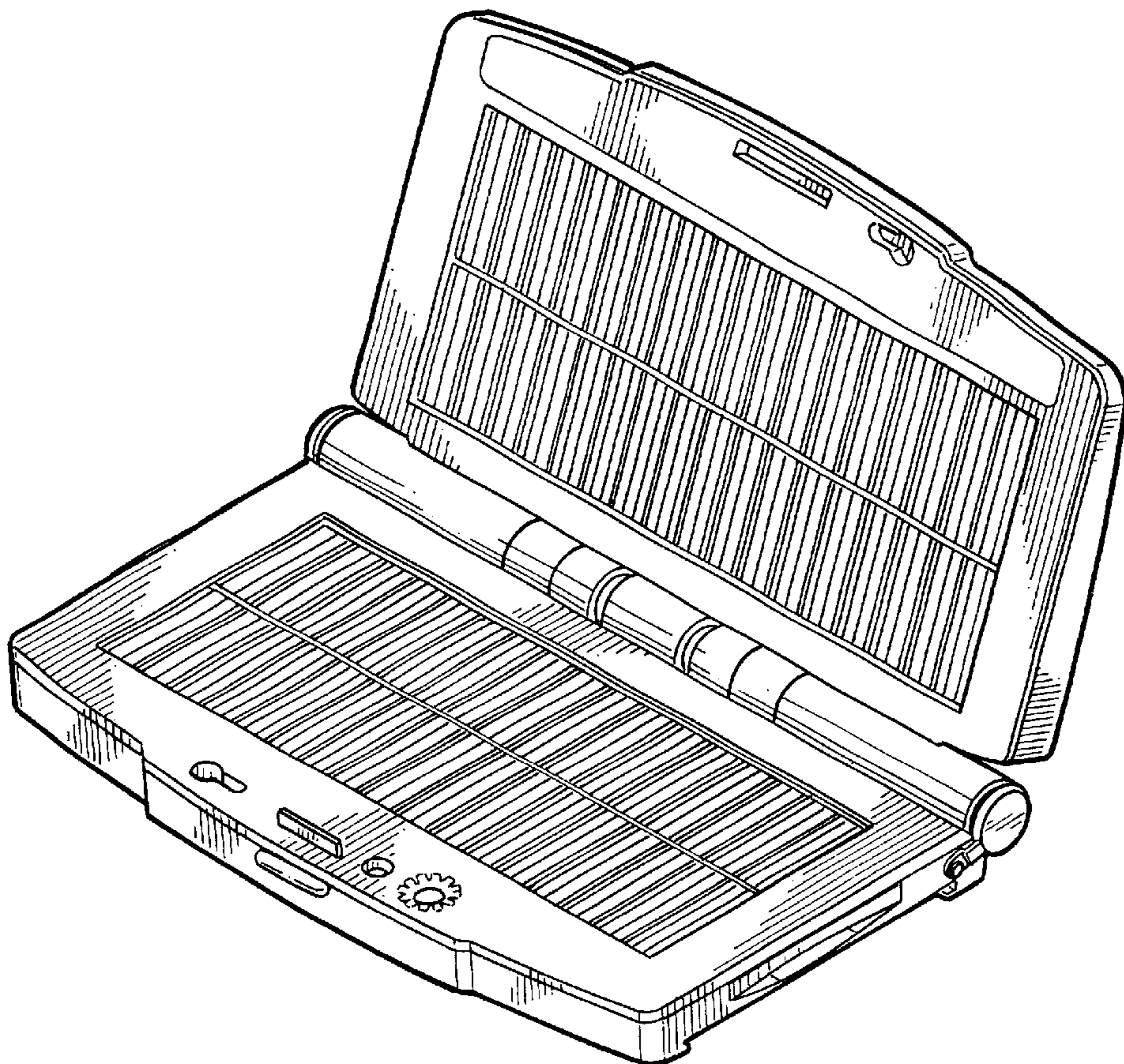
(57) **CLAIM**

The ornamental design for a briefcase solar power generator, as shown and described.

DESCRIPTION

FIG. 1 is a perspective view from above, taken from front right, of the subject design, in an open condition; FIG. 2 is a like perspective view, with the device in a closed condition; FIG. 3 is a plan view of the top of the device, in a closed condition; FIG. 4 is an elevational view of the front of the device, in a closed condition; FIG. 5 is an elevational view of the right side of the device, in a closed condition; FIG. 6 is an elevational view of the left side of the device, in a closed condition; FIG. 7 is a plan view of the bottom of the device, in a closed condition; and, FIG. 8 is a perspective view from above, taken from back right, of the subject device in a closed condition.

1 Claim, 5 Drawing Sheets



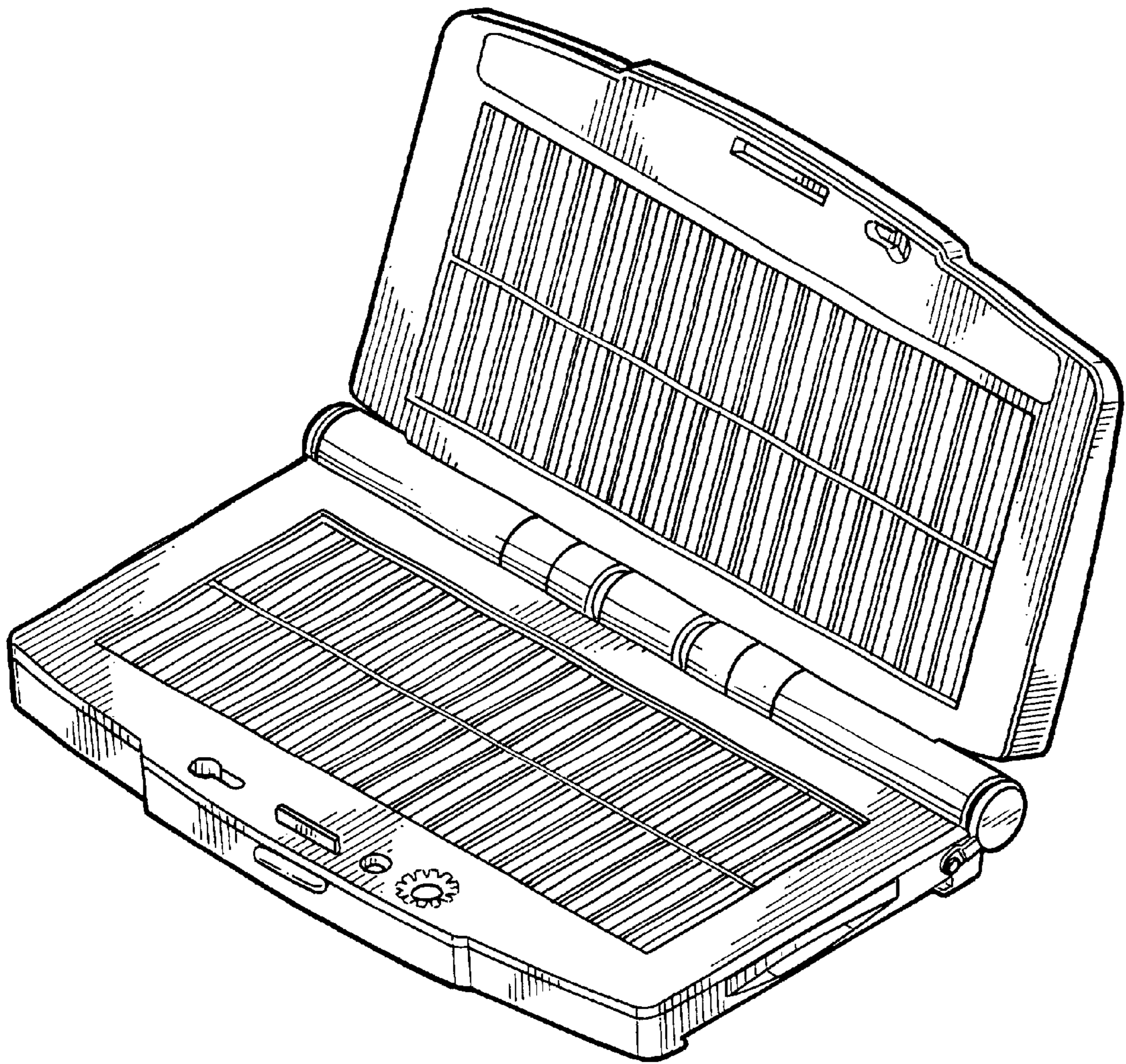


FIG. 1

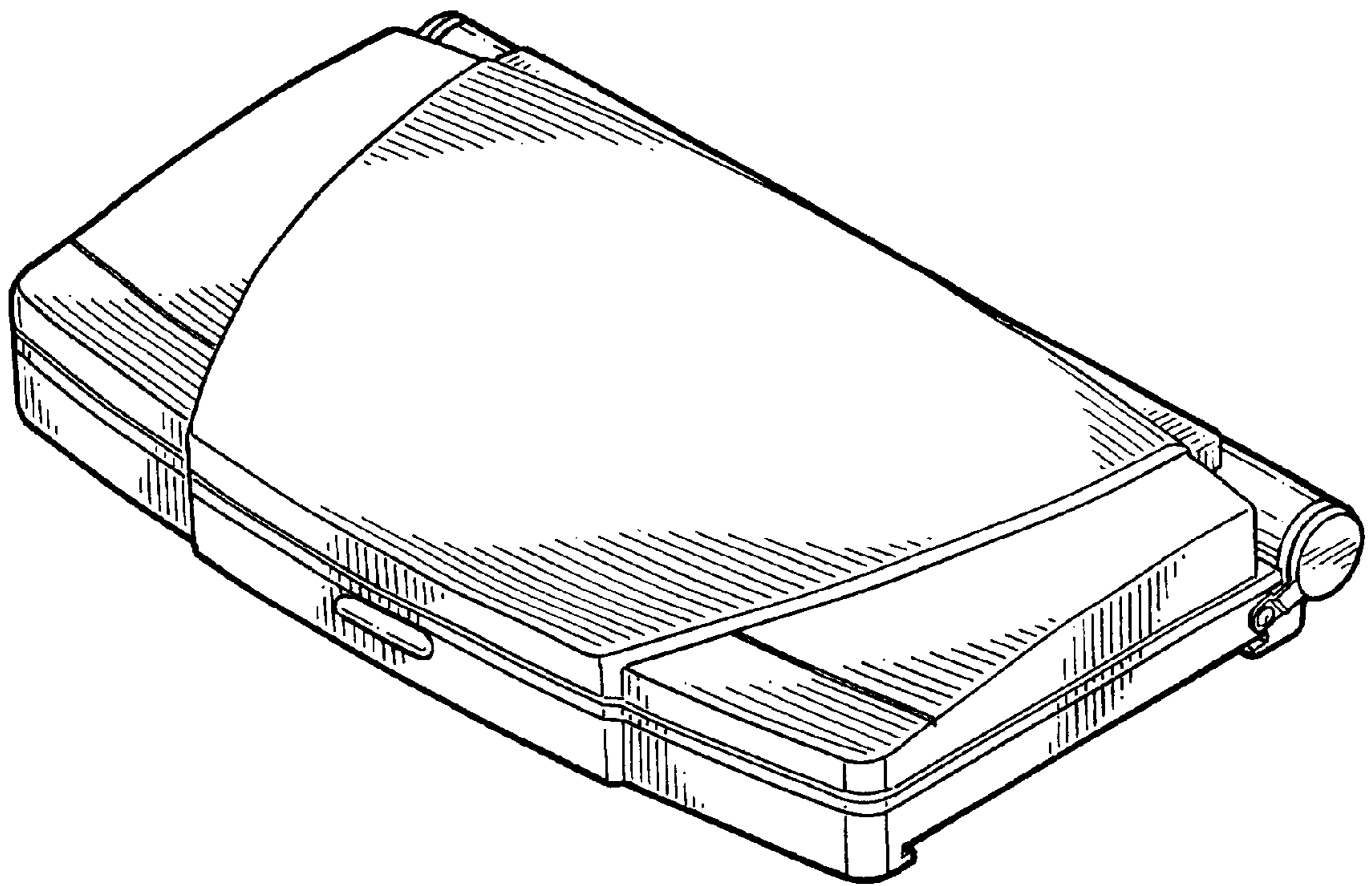


FIG. 2

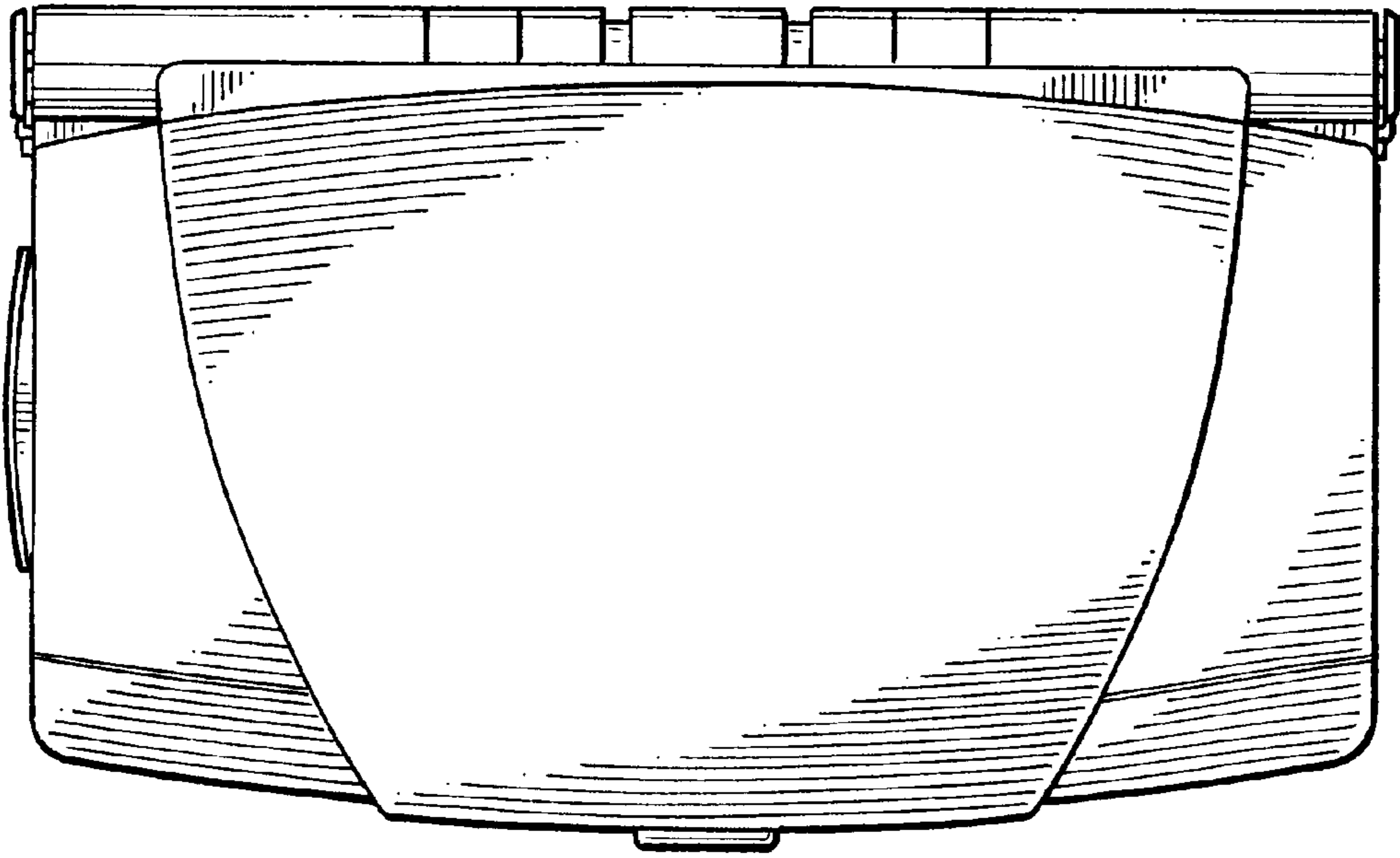


FIG. 3

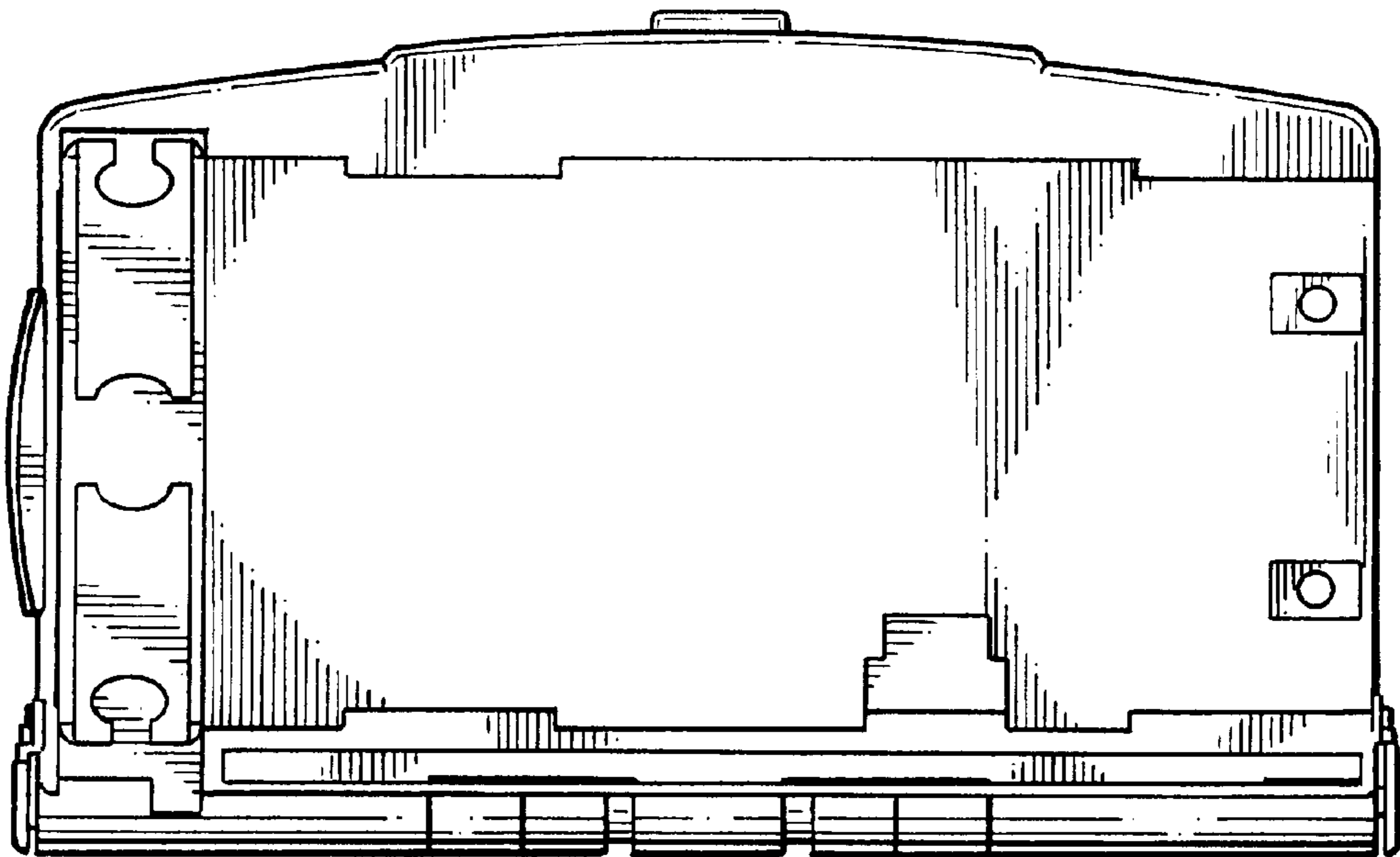


FIG. 7

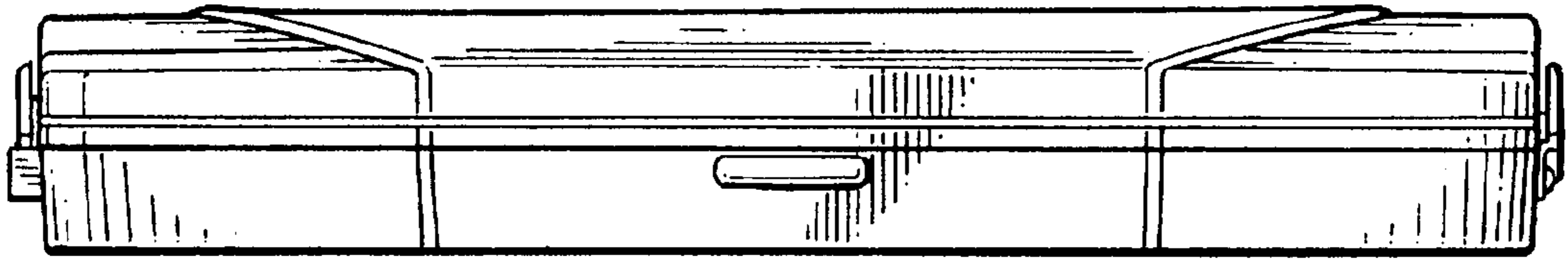


FIG. 4

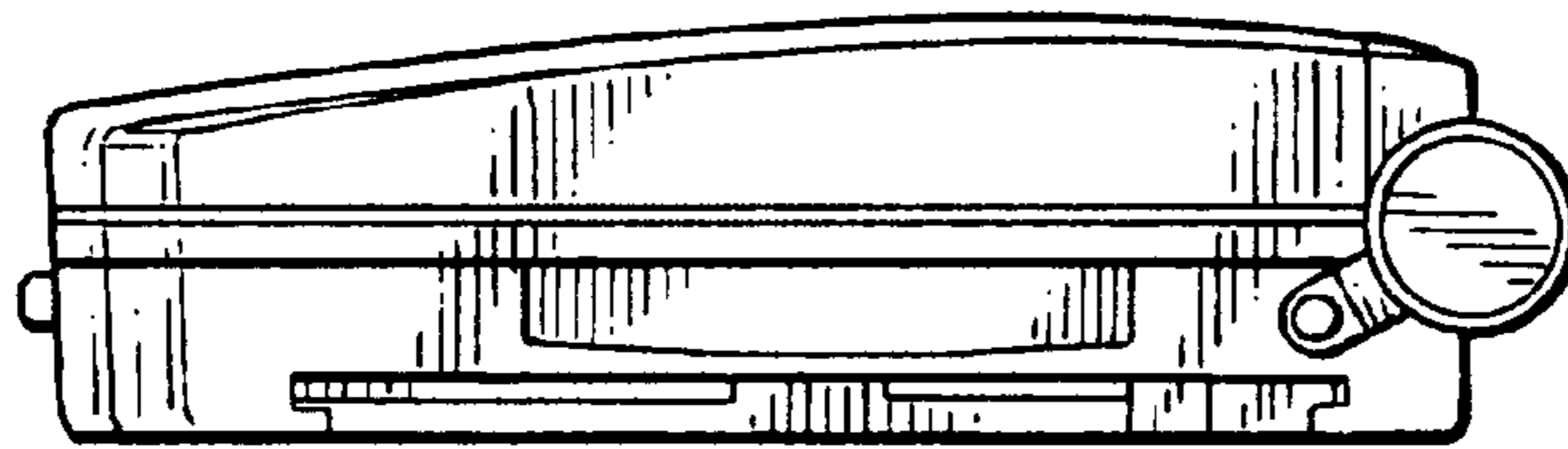


FIG. 5

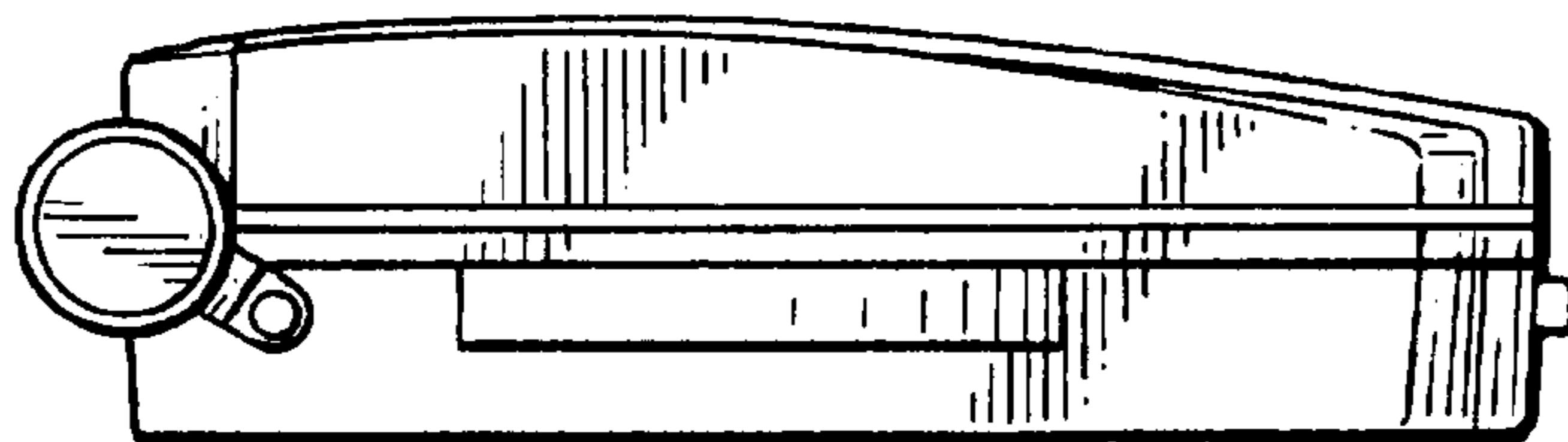


FIG. 6

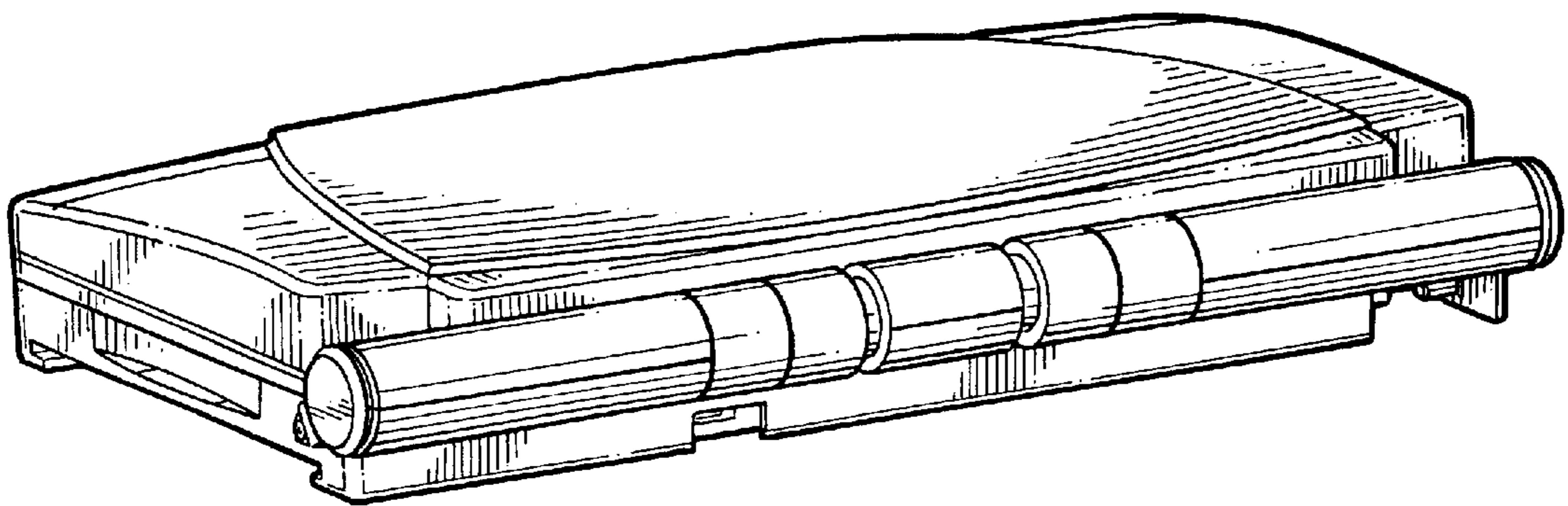


FIG. 8