



US00D479179S

(12) **United States Design Patent**  
**Lian**

(10) **Patent No.:** **US D479,179 S**

(45) **Date of Patent:** **\*\* Sep. 2, 2003**

(54) **WHEEL COVER AND RIM SHIELD WITH MULTI-RIDGED GRIP**

(76) **Inventor:** **Ryan N. Lian**, 769 Sunny Lake, Anoka, MN (US) 55303

(\*\*) **Term:** **14 Years**

(21) **Appl. No.:** **29/171,525**

(22) **Filed:** **Nov. 25, 2002**

(51) **LOC (7) Cl.** ..... **12-16**

(52) **U.S. Cl.** ..... **D12/213**

(58) **Field of Search** ..... D12/213; D9/452, D9/454; D7/391-392.1; 301/37.101, 37.103, 37.104, 37.42, 108.1, 108.5; 220/908, 912; D8/DIG. 1, 300, 307

(56) **References Cited**

**U.S. PATENT DOCUMENTS**

3,854,448	A	12/1974	Kromanaker	
4,784,440	A	11/1988	Fair	
4,811,991	A	3/1989	Moreno et al.	
4,874,206	A	10/1989	Sampson	
D305,635	S	* 1/1990	Pope	D12/213
D336,460	S	* 6/1993	Marquez	D12/213
D337,090	S	* 7/1993	Wilfong, III	D12/213
D338,185	S	* 8/1993	Dowd	D12/213
D340,220	S	* 10/1993	Rocamora et al.	D12/213
D340,439	S	* 10/1993	Carbone	D12/213
5,423,599	A	6/1995	Sherod et al.	
5,524,972	A	6/1996	Cailor et al.	
D377,162	S	* 1/1997	Maynard	D12/213

D377,332	S	* 1/1997	Cruz, III	D12/213
D378,364	S	* 3/1997	Clifton	D12/213
D379,171	S	* 5/1997	Hope et al.	D12/213
D379,172	S	* 5/1997	Hale	D12/213
D390,181	S	* 2/1998	Morrison	D12/213
D402,614	S	* 12/1998	Martinez	D12/213
D418,102	S	* 12/1999	Schehr	D12/213
D434,714	S	* 12/2000	White	D12/213
D446,763	S	* 8/2001	Denison et al.	D12/213

\* cited by examiner

*Primary Examiner*—Stacia Cadmus

(74) *Attorney, Agent, or Firm*—Donald R. Schoonover

(57) **CLAIM**

I claim the ornamental design for a wheel cover and rim shield with multi-ridged grip, as shown and described.

**DESCRIPTION**

FIG. 1 is a perspective view of a wheel cover and rim shield with multi-ridged grip showing my new design;

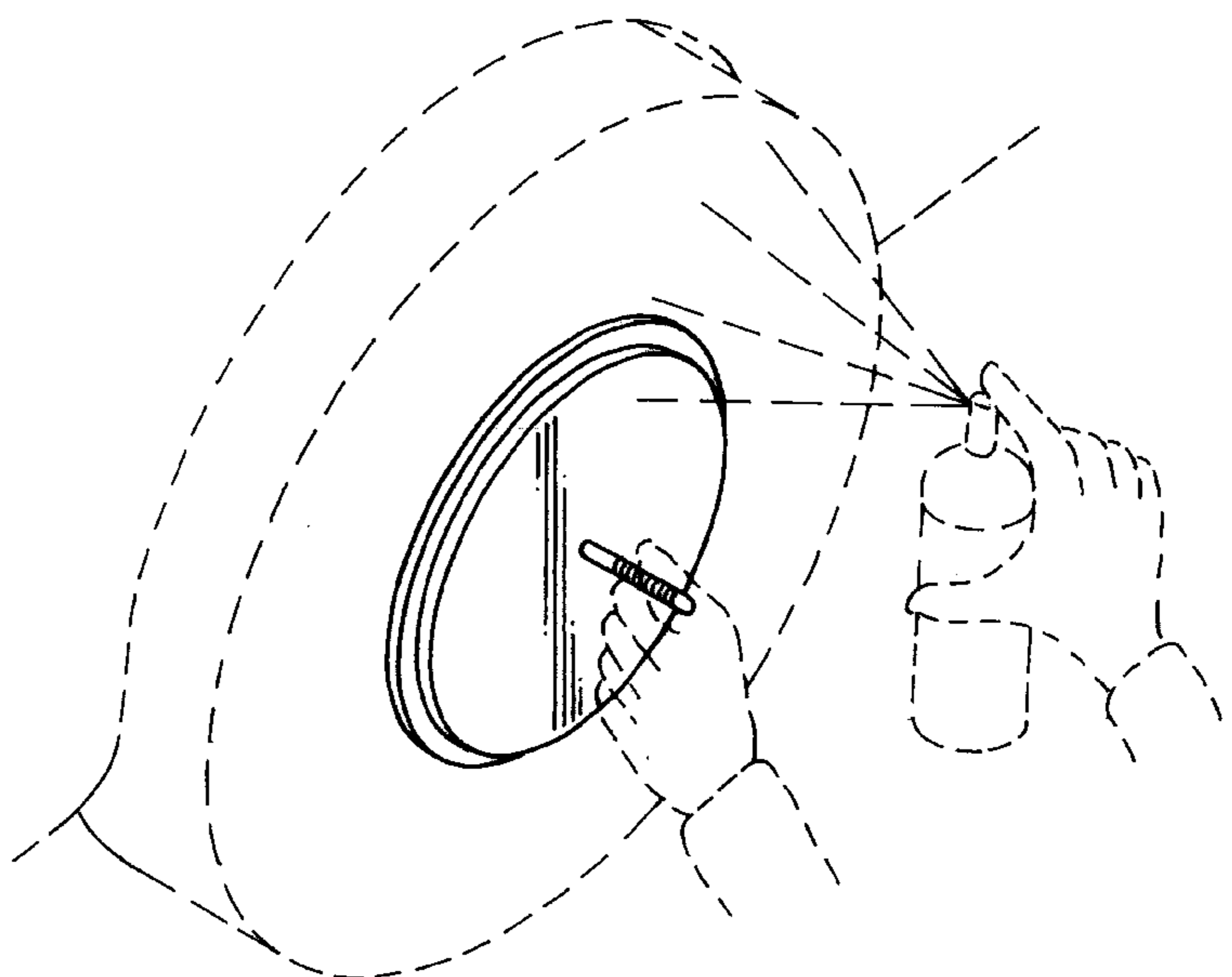
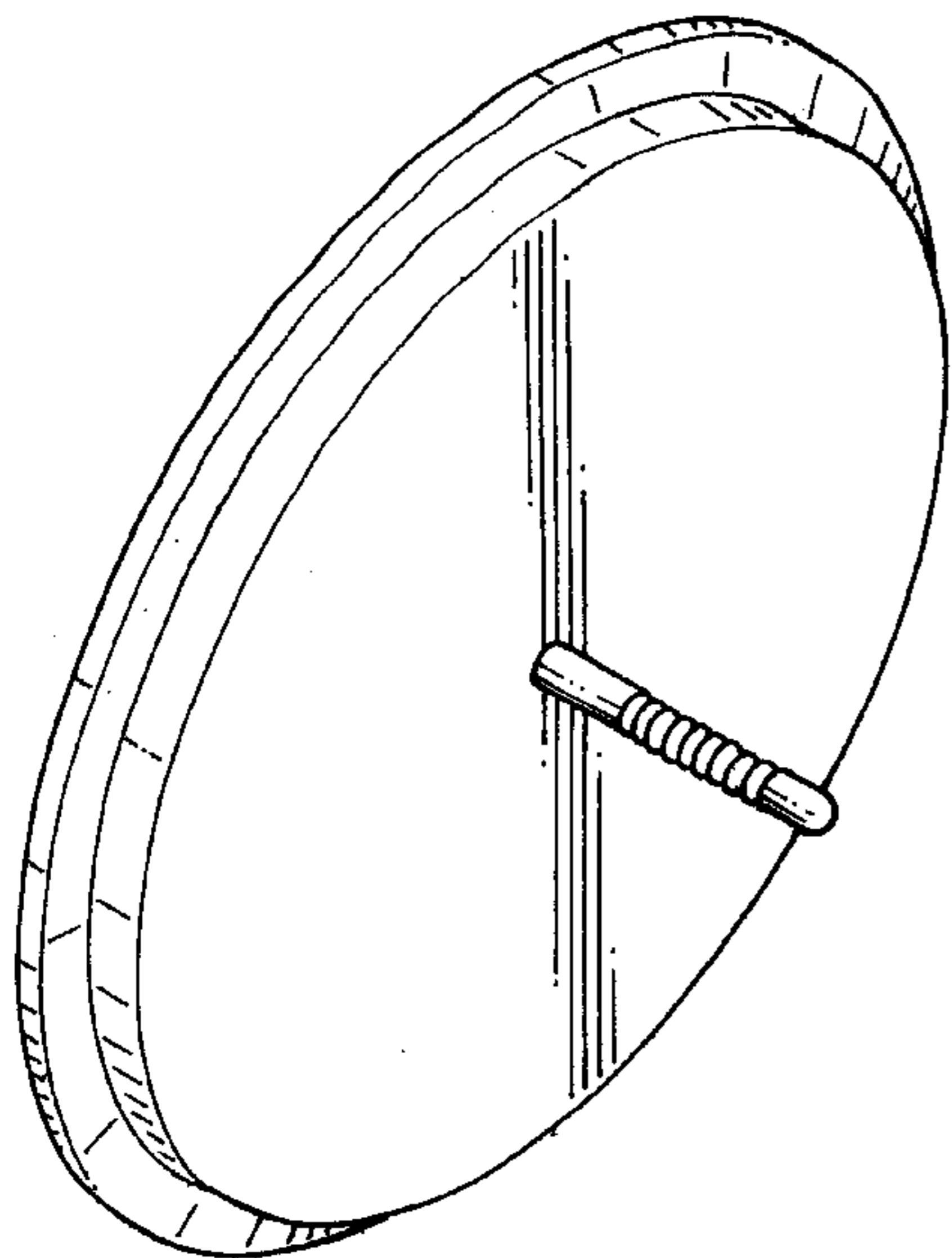
FIG. 2 is top plan view thereof, the bottom plan view, the left side elevational view and the right side elevational view being identical thereto;

FIG. 3 is a front elevational view thereof;

FIG. 4 is a rear elevational view thereof; and

FIG. 5 is a reduced perspective view showing the wheel cover and rim shield with multi-ridged grip in use; the broken lines depict environmental structure and form no part of the claimed design.

**1 Claim, 4 Drawing Sheets**



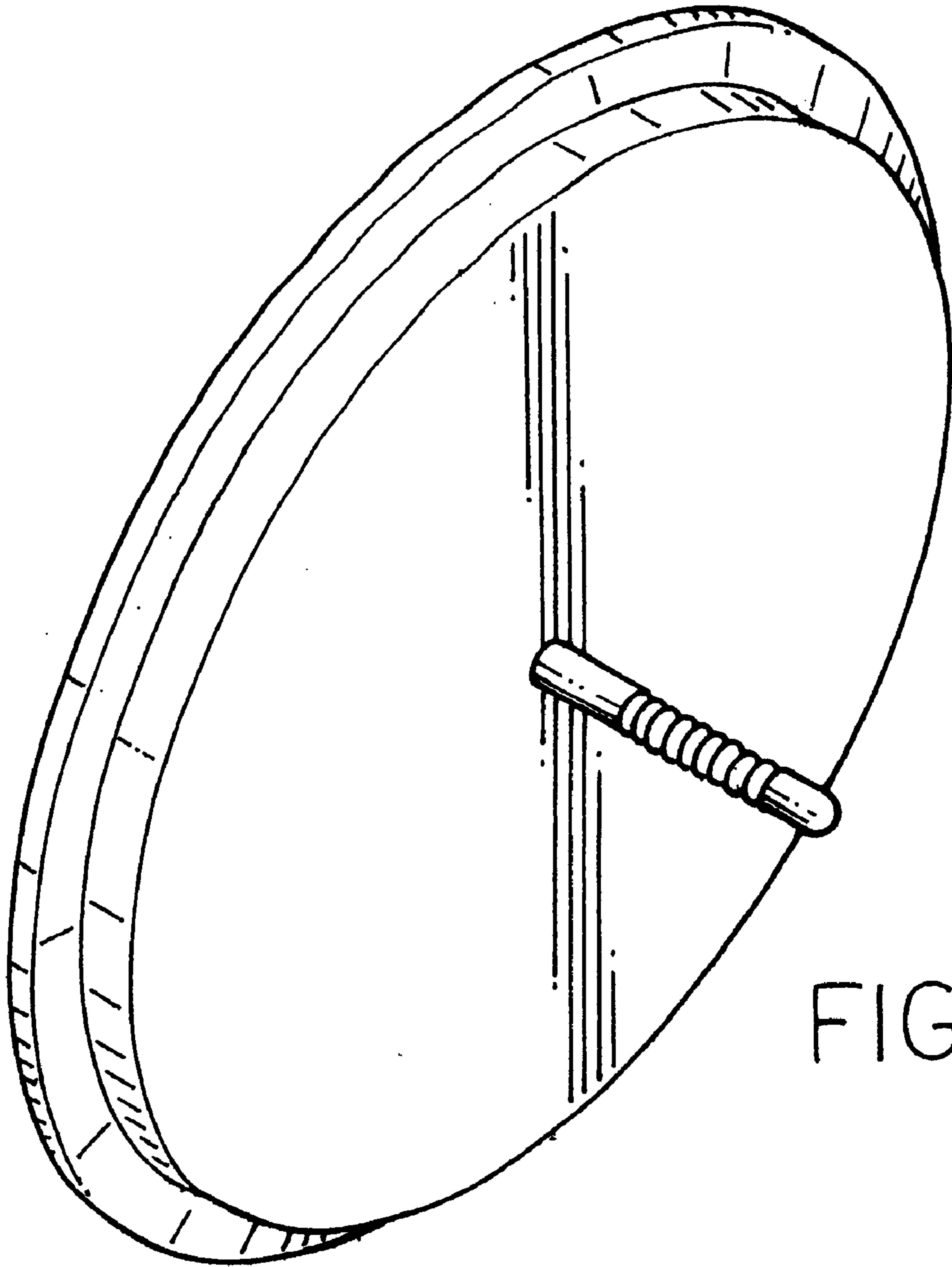


FIG. 1

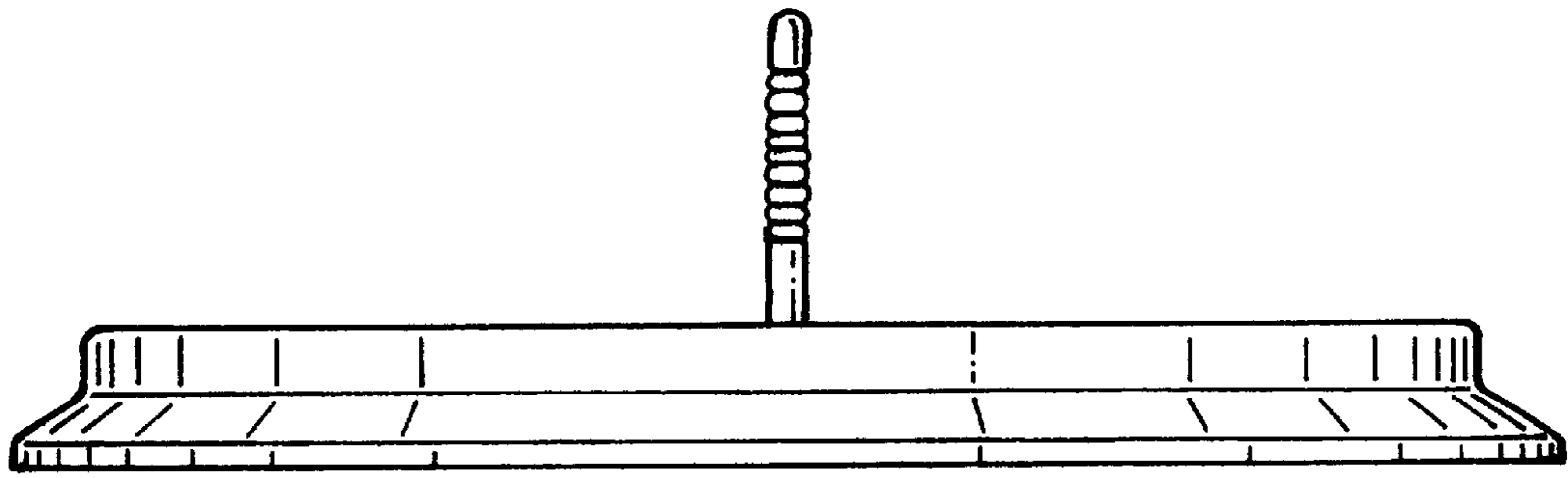


FIG. 2.

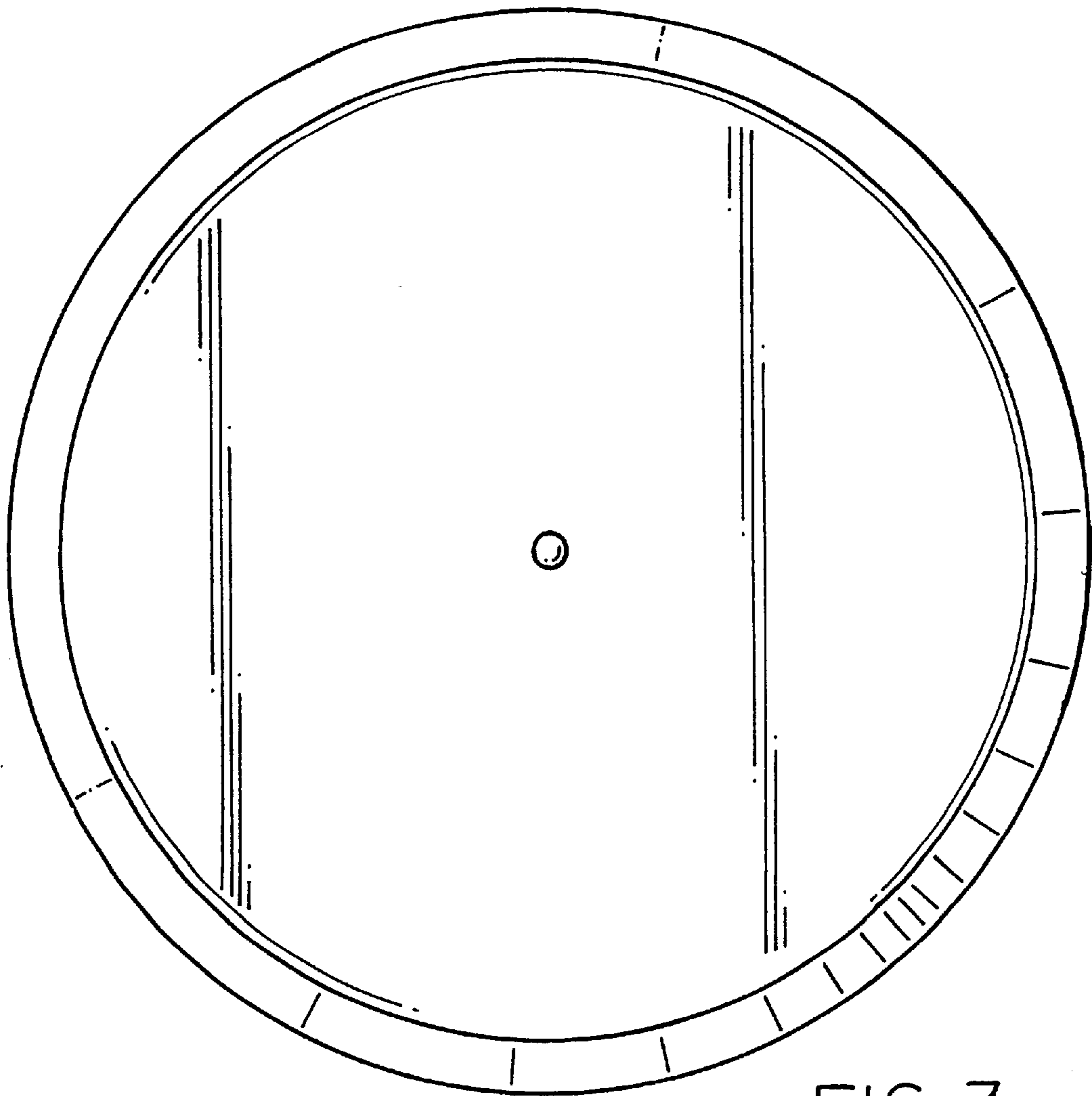


FIG. 3.

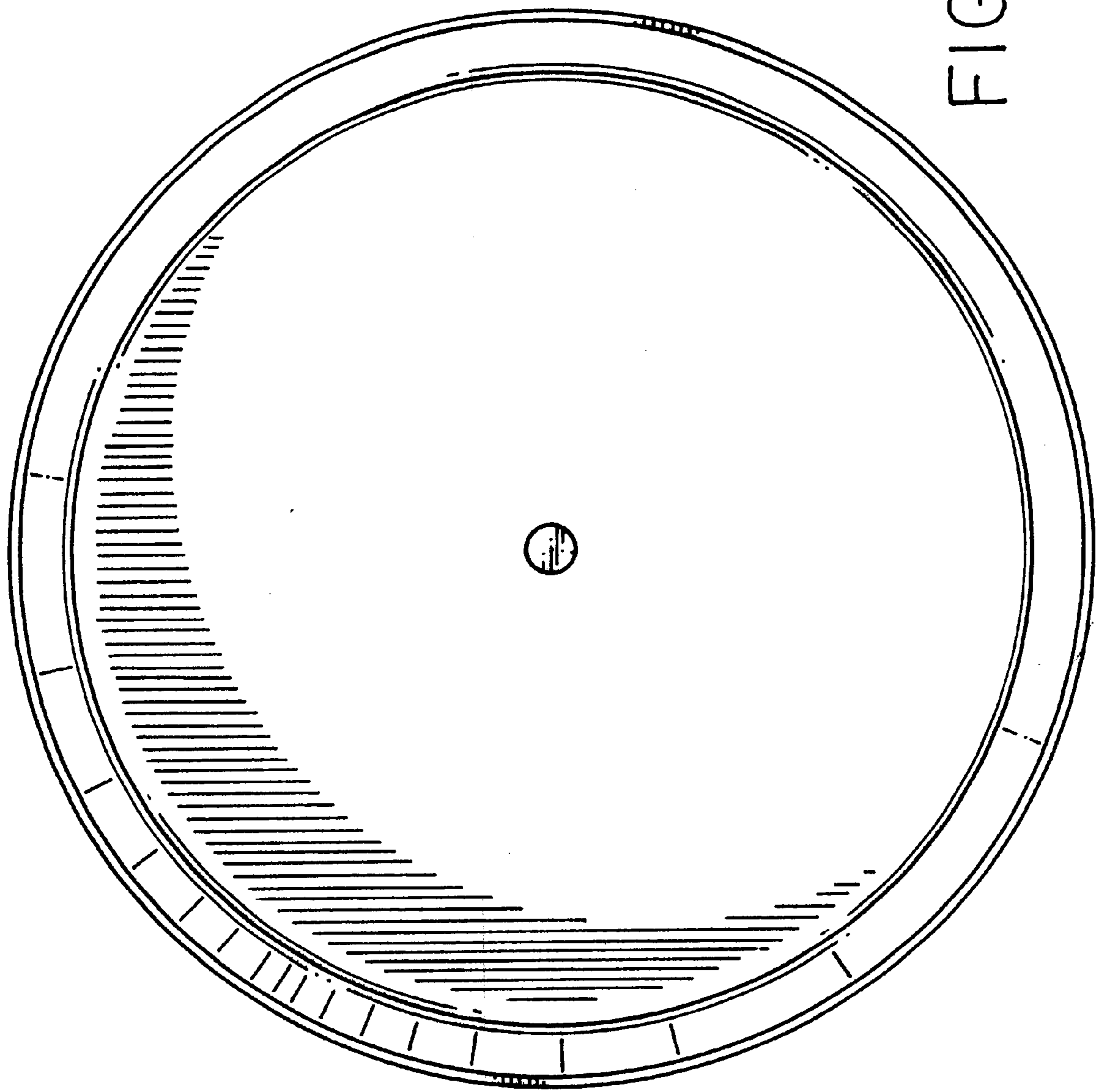


FIG.4.

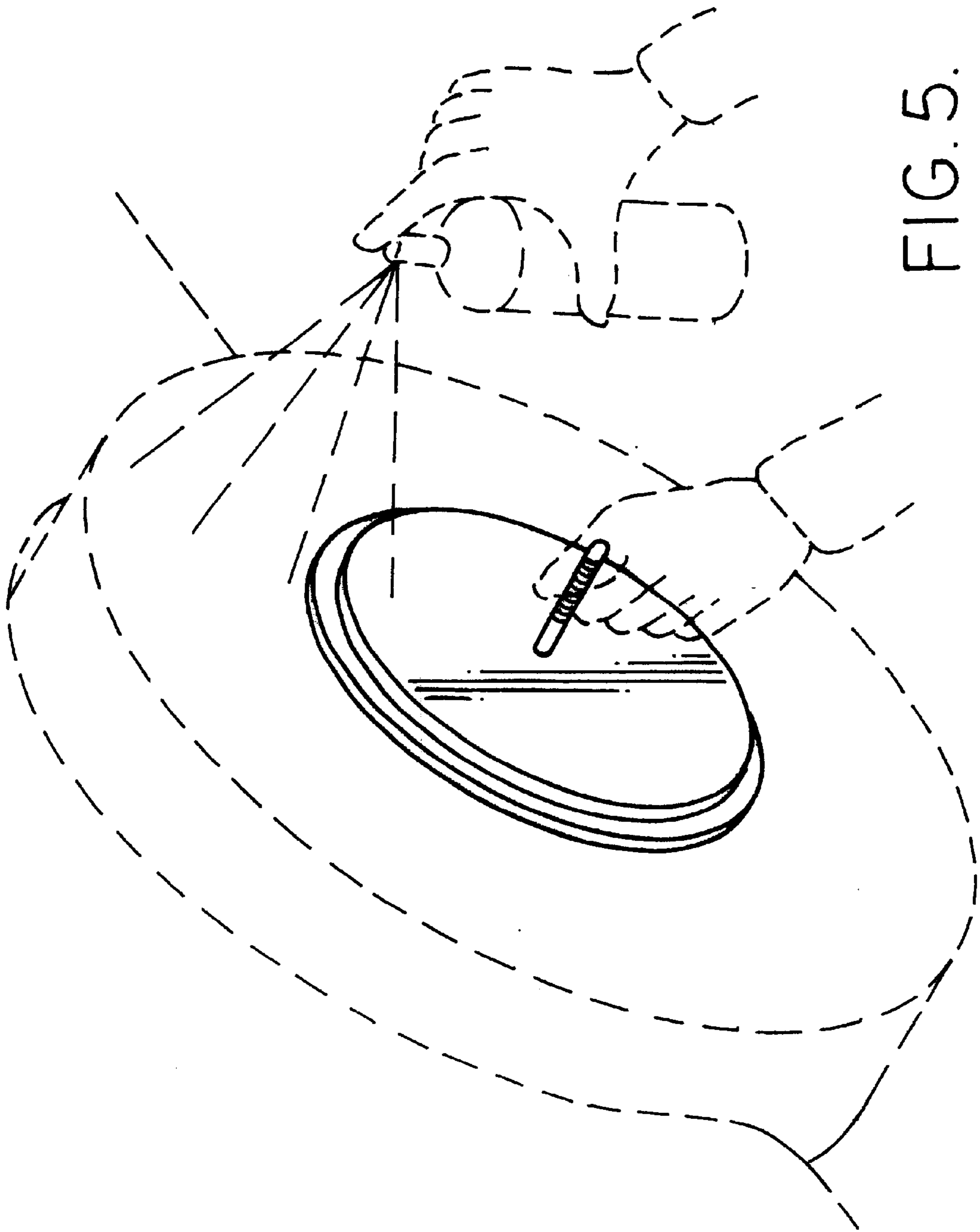


FIG. 5.