



US00D479177S

(12) **United States Design Patent**  
**Nordmann**

(10) **Patent No.:** **US D479,177 S**

(45) **Date of Patent:** **\*\* Sep. 2, 2003**

(54) **FRONT FACE OF A VEHICLE WHEEL**

(75) **Inventor:** **Christoph Nordmann, Munich (DE)**

(73) **Assignee:** **Bayerische Motoren Werke  
Aktiengesellschaft, Munich (DE)**

(\*\*) **Term:** **14 Years**

D447,106 S	*	8/2001	Chung	.....	D12/209
D450,030 S	*	11/2001	Pfeiffer	.....	D12/211
D450,289 S	*	11/2001	Chung	.....	D12/211
D454,107 S	*	3/2002	Chung	.....	D12/211
D454,825 S	*	3/2002	Amatino	.....	D12/211
D460,733 S	*	7/2002	Bintoro	.....	D12/211
D466,070 S	*	11/2002	Lee	.....	D12/211
D471,503 S	*	3/2003	Baumgartner	.....	D12/211

(21) **Appl. No.:** **29/150,165**

(22) **Filed:** **Nov. 9, 2001**

(51) **LOC (7) Cl.** ..... **12-16**

(52) **U.S. Cl.** ..... **D12/211**

(58) **Field of Search** ..... **D12/204-211;**  
**301/37.101, 64.101, 65**

**FOREIGN PATENT DOCUMENTS**

WO DM/0047770 4/1999

\* cited by examiner

*Primary Examiner*—Stacia Cadmus

(74) *Attorney, Agent, or Firm*—Crowell & Moring LLP

(56) **References Cited**

**U.S. PATENT DOCUMENTS**

D208,542 S	*	9/1967	Halibrand	.....	D12/211
D337,563 S	*	7/1993	Boselli	.....	D12/209
D388,047 S	*	12/1997	Pfeiffer et al.	.....	D12/211
D396,208 S	*	7/1998	Baumgartner et al.	.....	D12/211
D407,681 S	*	4/1999	Sacco et al.	.....	D12/209
D409,548 S	*	5/1999	Chung	.....	D12/209
D409,968 S		5/1999	Goplen	.....	D12/211
D418,473 S	*	1/2000	Chung	.....	D12/211
D424,500 S	*	5/2000	Johnson	.....	D12/209
D438,504 S	*	3/2001	Muzzarelli	.....	D12/211
D441,339 S	*	5/2001	Hussaini et al.	.....	D12/211

(57) **CLAIM**

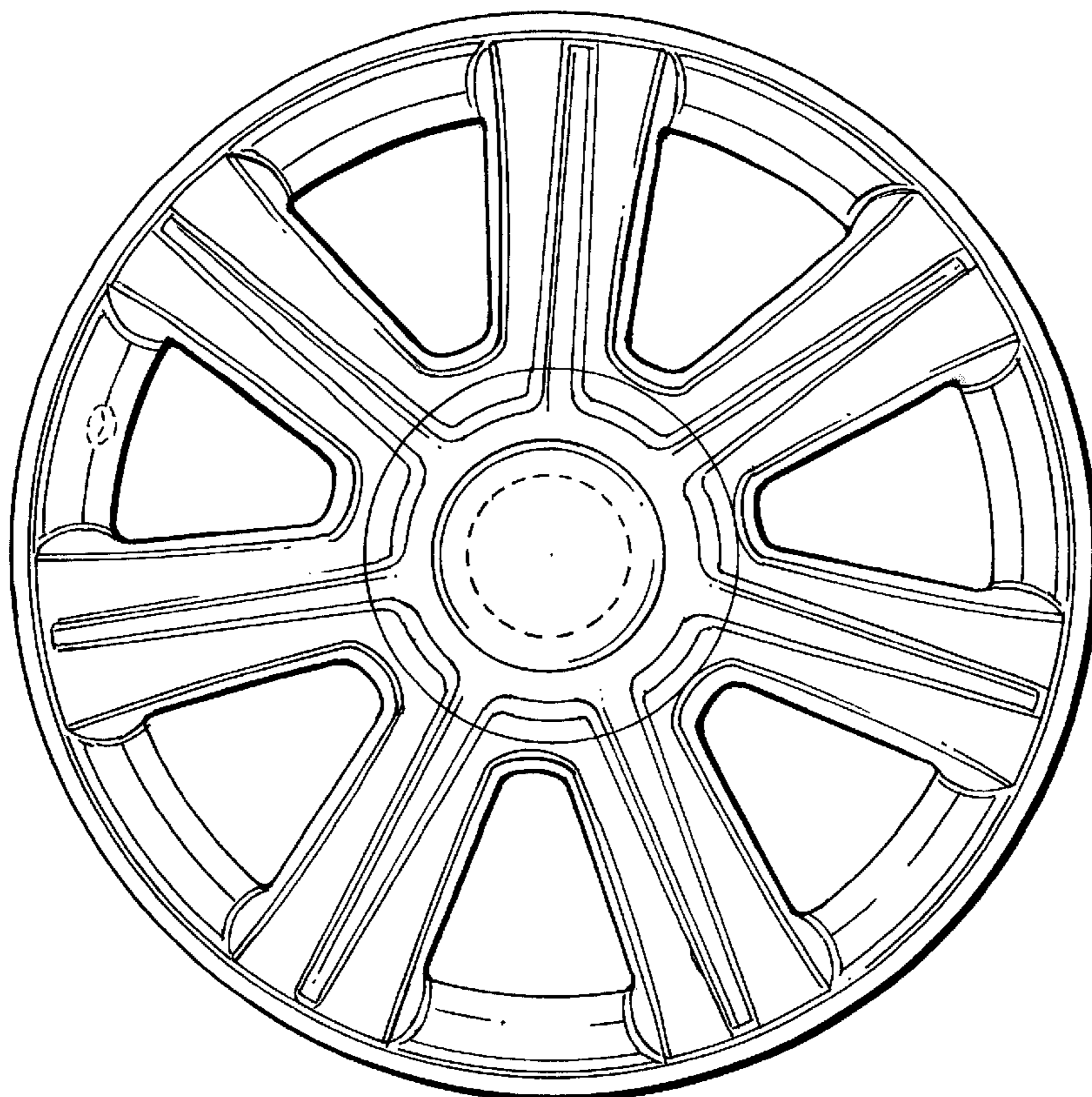
The ornamental design for a front face of a vehicle wheel, as shown and described.

**DESCRIPTION**

FIG. 1 is a front view of a front face of a vehicle wheel according to my novel design; and,  
FIG. 2 is a perspective view of the front face of a vehicle wheel according to my novel design.

The dash lines included depict environment and are not part of the claimed design.

**1 Claim, 1 Drawing Sheet**



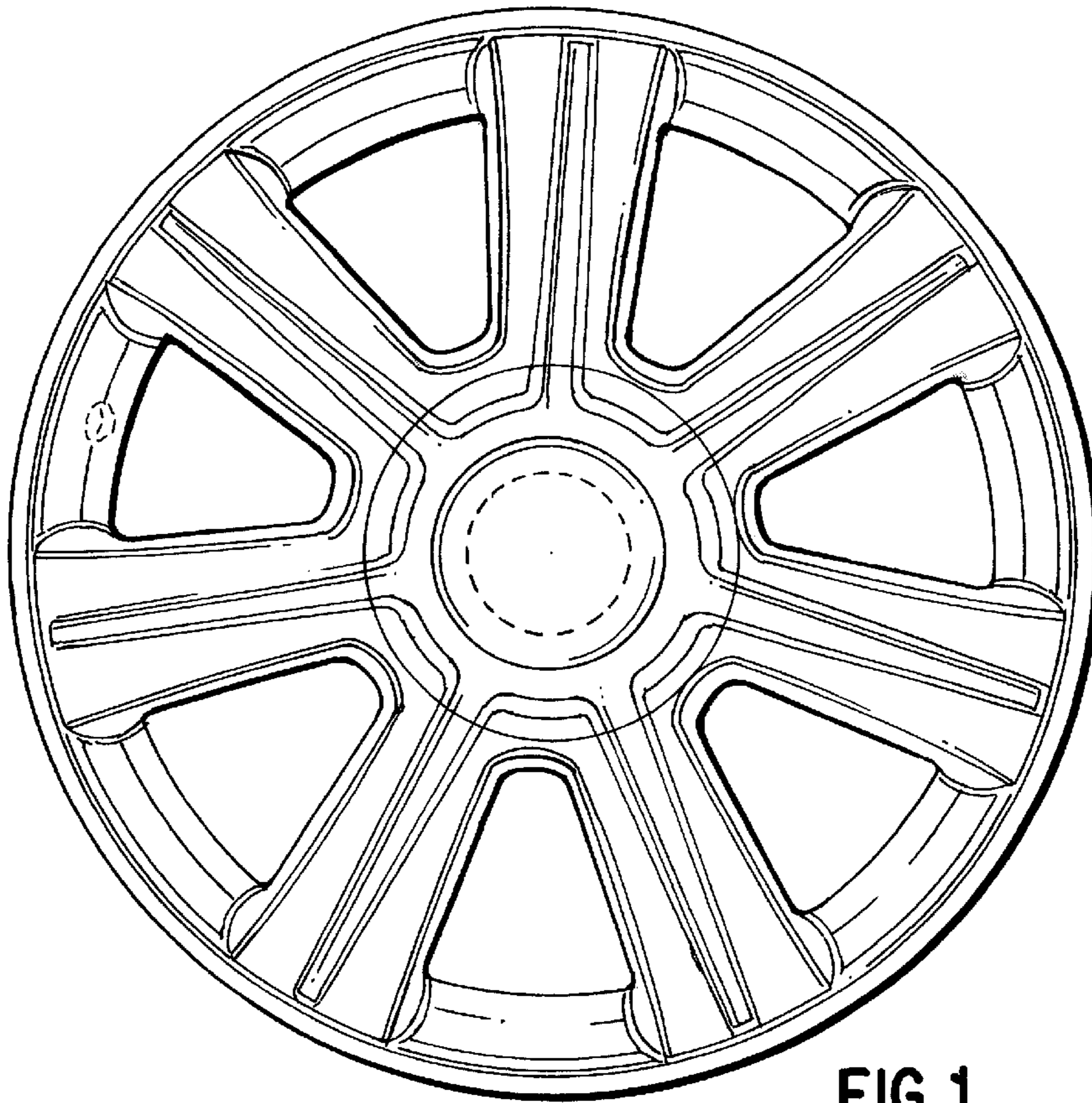


FIG. 1

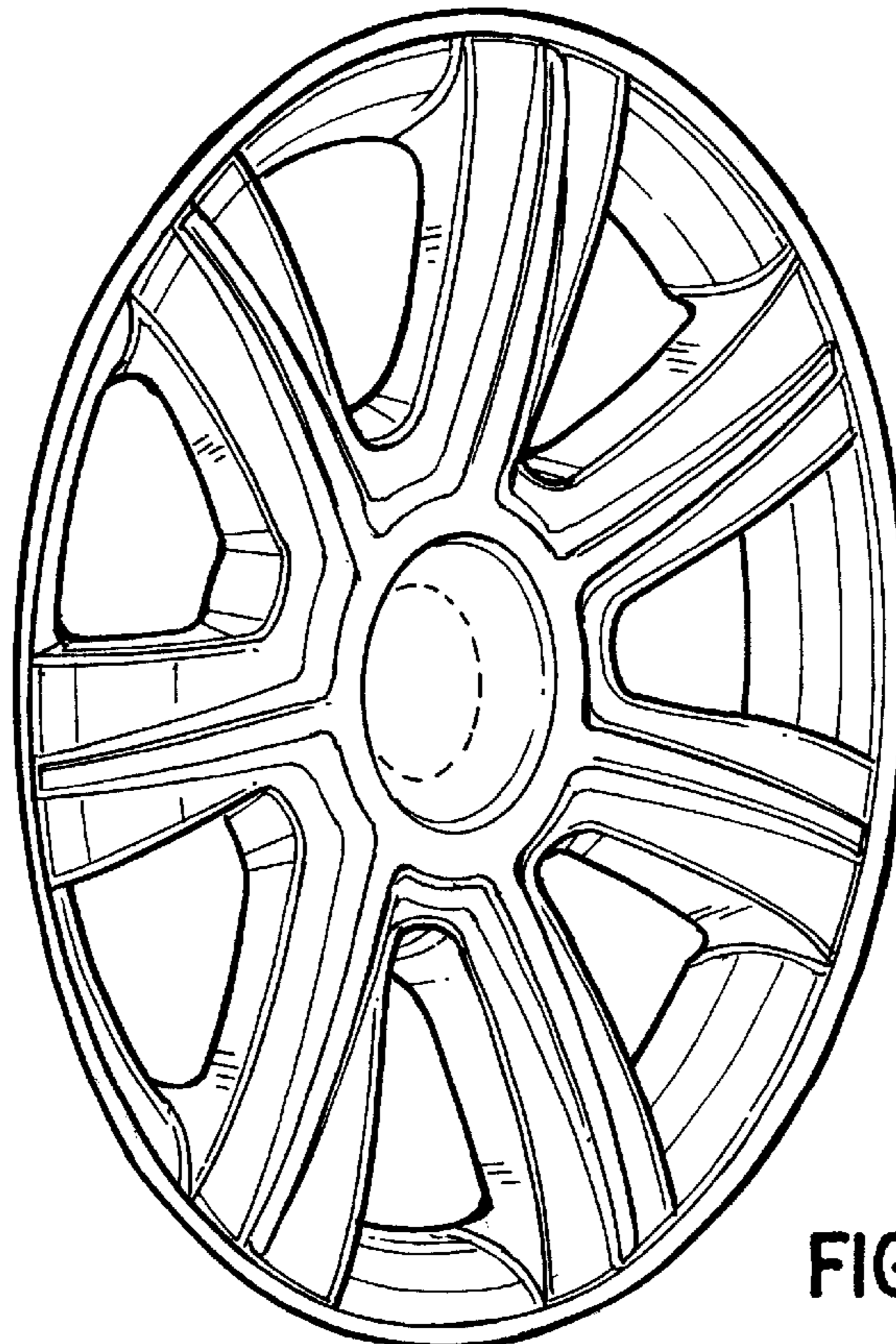


FIG. 2