



US00D479175S

(12) **United States Design Patent**
Yun

(10) **Patent No.:** **US D479,175 S**

(45) **Date of Patent:** **** Sep. 2, 2003**

(54) **VEHICLE WHEEL FRONT FACE**

(75) **Inventor:** **Woon Hong Yun, Downey, CA (US)**

(73) **Assignee:** **American Racing Equipment, Inc.,
Rancho Dominguez, CA (US)**

(**) **Term:** **14 Years**

(21) **Appl. No.:** **29/176,255**

(22) **Filed:** **Feb. 20, 2003**

(51) **LOC (7) Cl. 12-16**

(52) **U.S. Cl. D12/209**

(58) **Field of Search D12/204-211;
301/37.101, 64.101, 65**

(56) **References Cited**

U.S. PATENT DOCUMENTS

D410,614 S	6/1999	Fitzgerald	D12/209
D413,852 S	9/1999	Cullen	D12/209
D414,154 S	* 9/1999	Carter	D12/209
D419,513 S	1/2000	Hartanto	D12/209
D431,517 S	10/2000	Donikoglu	D12/209
D432,069 S	10/2000	Chung	D12/209
D432,971 S	10/2000	Donikoglu	D12/209
D432,972 S	10/2000	Chung	D12/209
D433,375 S	11/2000	Fitzgerald	D12/209
D435,006 S	12/2000	Brown	D12/209

D436,070 S	1/2001	Lee	D12/209
D436,340 S	1/2001	Kaucher	D12/209
D436,907 S	1/2001	Ong	D12/209
D437,276 S	2/2001	Hodges	D12/209
D442,535 S	* 5/2001	Lotson	D12/209
D453,725 S	* 2/2002	Brown et al.	D12/209
D456,756 S	5/2002	Hodges et al.	D12/209
D460,731 S	* 7/2002	Cahyono	D12/209
D461,443 S	* 8/2002	Fitzgerald	D12/211
D464,307 S	* 10/2002	Chung	D12/209
D466,465 S	* 12/2002	Kim	D12/209
D467,212 S	* 12/2002	Noriega	D12/209

* cited by examiner

Primary Examiner—Stacia Cadmus

(74) *Attorney, Agent, or Firm*—Thompson Hine LLP

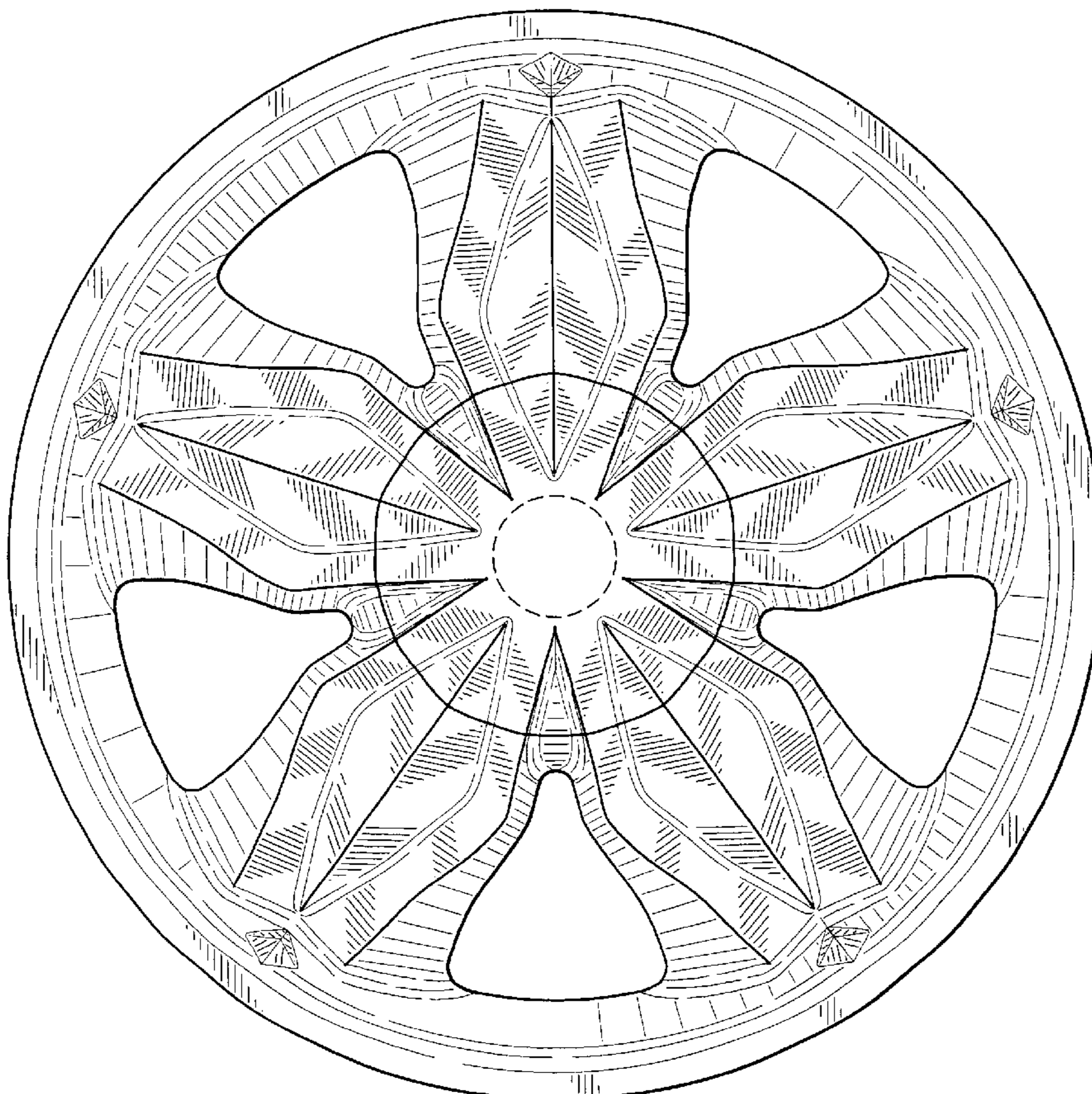
(57) **CLAIM**

The ornamental design for a vehicle wheel front face, as shown and described.

DESCRIPTION

FIG. 1 is a perspective view taken from the left hand side of my new vehicle wheel front face; and, FIG. 2 is a front elevational view thereof. The broken lines shown in FIGS. 1 and 2 of the drawings are for illustrative purposes only and the subject matter depicted thereby constitutes no part of the claimed design.

1 Claim, 2 Drawing Sheets



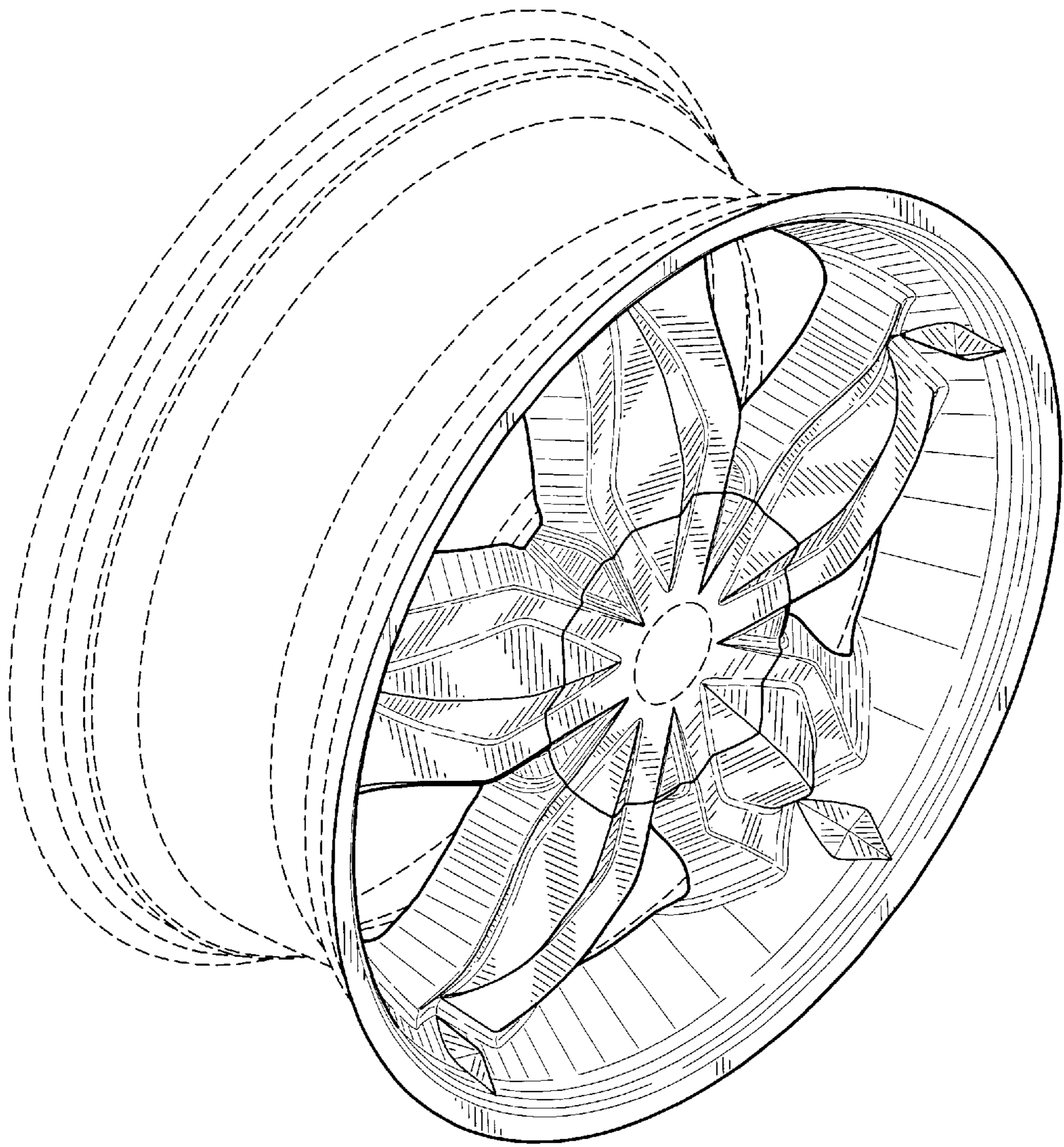


FIG. 1

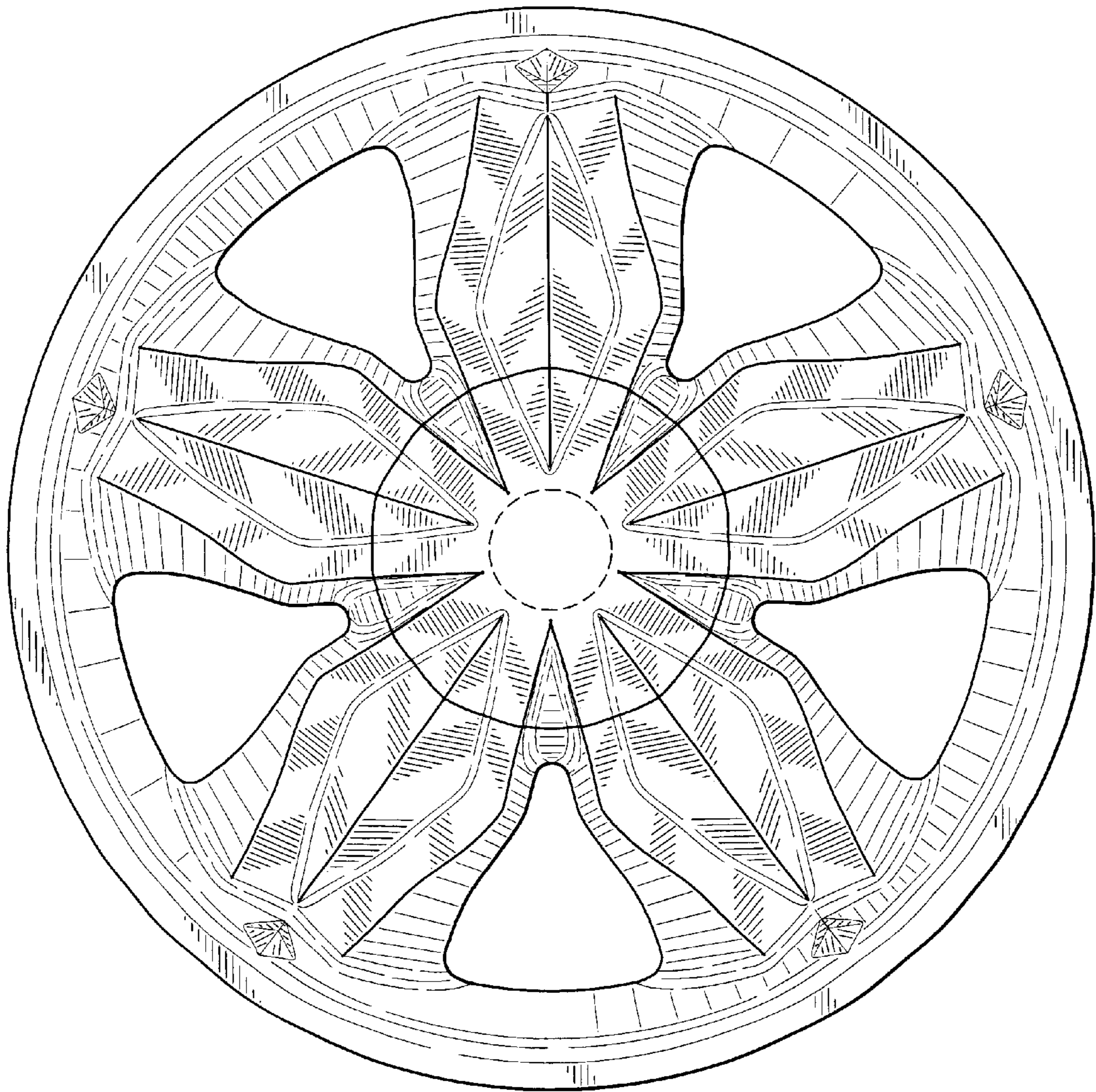


FIG. 2