



US00D479171S

(12) **United States Design Patent**
Boyer

(10) **Patent No.:** **US D479,171 S**

(45) **Date of Patent:** **** Sep. 2, 2003**

(54) **SURFACE CONFIGURATION OF A FRONT FENDER FOR A VEHICLE**

(75) Inventor: **Boyke Boyer**, Ismaning (DE)

(73) Assignee: **Bayerische Motoren Werke Aktiengesellschaft**, Munich (DE)

(**) Term: **14 Years**

(21) Appl. No.: **29/168,901**

(22) Filed: **Oct. 11, 2002**

(30) **Foreign Application Priority Data**

Apr. 16, 2002 (DE) 4 02 03 456

(51) **LOC (7) Cl.** **12-16**

(52) **U.S. Cl.** **D12/196**

(58) **Field of Search** D12/196, 184, D12/90-92, 185; 280/847-849, 152.1, 153.1

(56) **References Cited**

U.S. PATENT DOCUMENTS

D440,196 S	*	4/2001	Pfeiffer	D12/196
D453,315 S	*	2/2002	Sacco et al.	D12/196
D459,686 S	*	7/2002	Sinkwitz	D12/196
D469,045 S	*	1/2003	Murkett	D12/196
D471,844 S	*	3/2003	Pfeiffer	D12/92

* cited by examiner

Primary Examiner—Melody N. Brown

(74) *Attorney, Agent, or Firm*—Crowell & Moring LLP

(57) **CLAIM**

The ornamental design for a surface configuration of a front fender for a vehicle, as shown and described.

DESCRIPTION

This application is related to co-pending application Ser. No. 29/168,898, of the inventor, entitled "Surface Configuration of a Vehicle, Toy and/or Other Replicas."

FIG. 1 is a front view of a first embodiment of a surface configuration of a front fender for a vehicle according to my novel design;

FIG. 2 is a perspective view of the first embodiment of the surface configuration of a front fender for a vehicle according to my novel design;

FIG. 3 is a perspective view of the first embodiment of the surface configuration of a front fender for a vehicle according to my novel design;

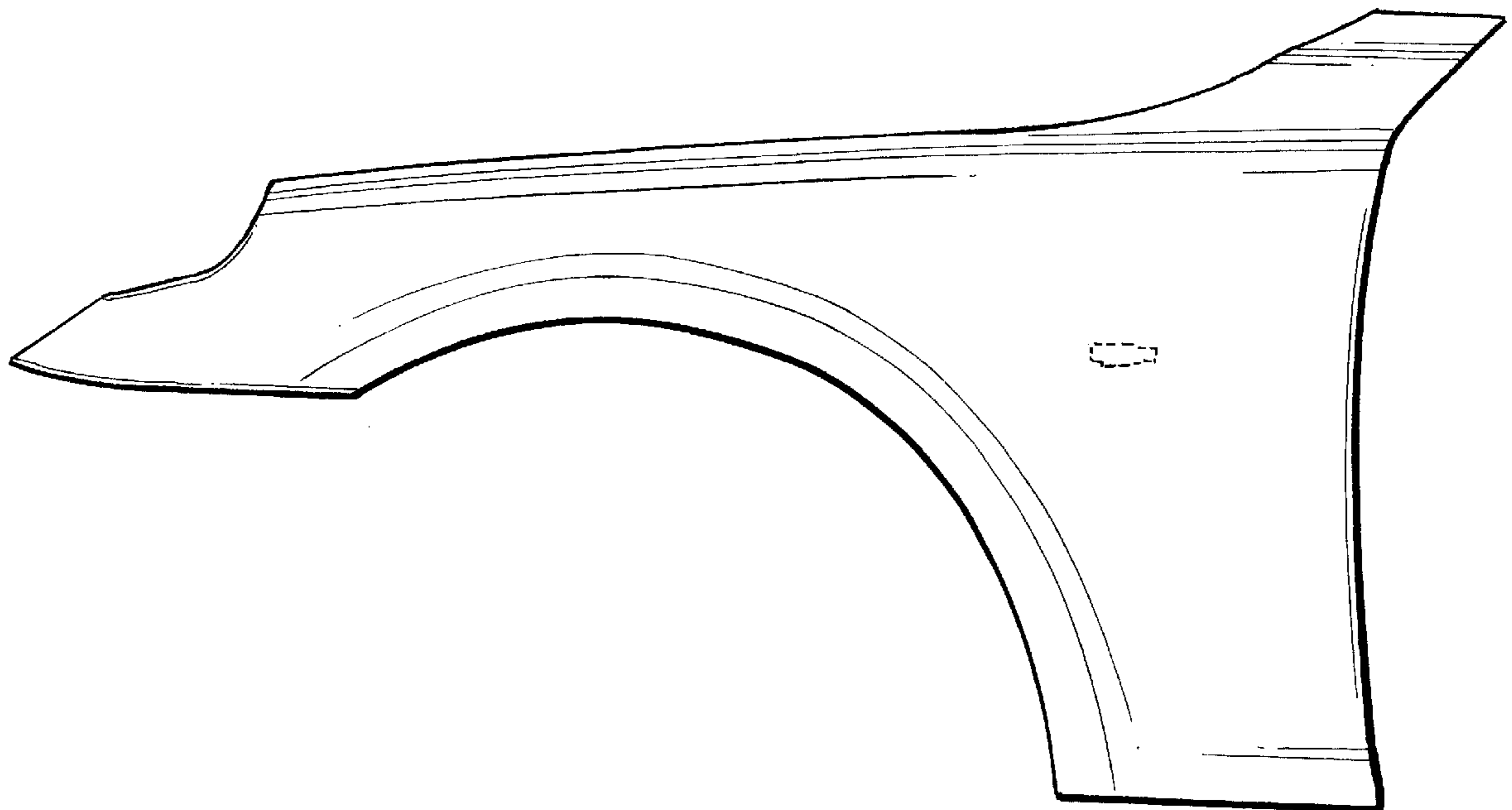
FIG. 4 is a front view of a second embodiment of the surface configuration of a front fender for a vehicle according to my novel design;

FIG. 5 is a perspective view of the second embodiment of the surface configuration of a front fender for a vehicle according to my novel design; and,

FIG. 6 is a perspective view of the second embodiment of the surface configuration of a front fender for a vehicle according to my novel design.

The broken lines included depict environment and are not part of the claimed design.

1 Claim, 2 Drawing Sheets



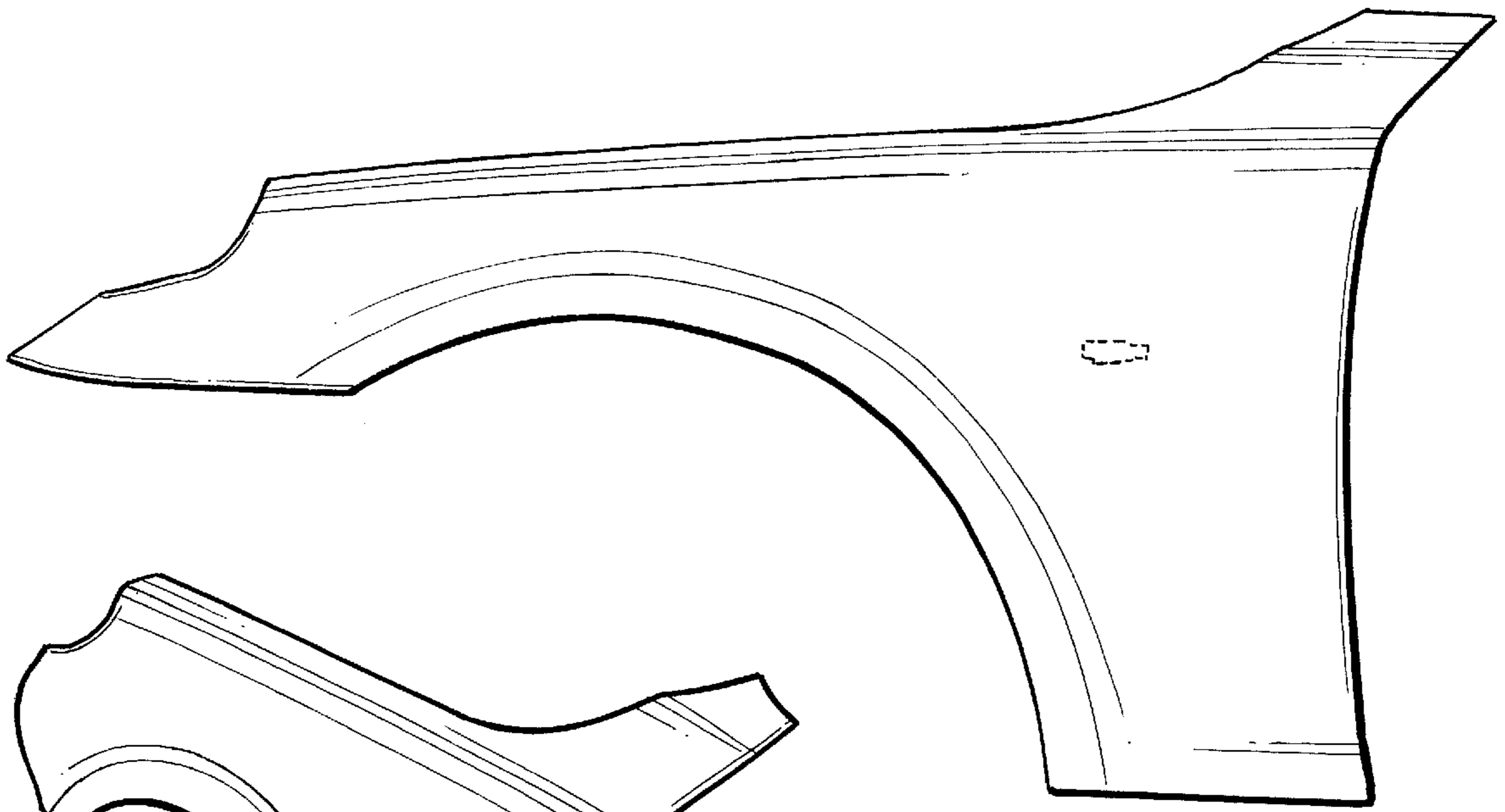


FIG. 1

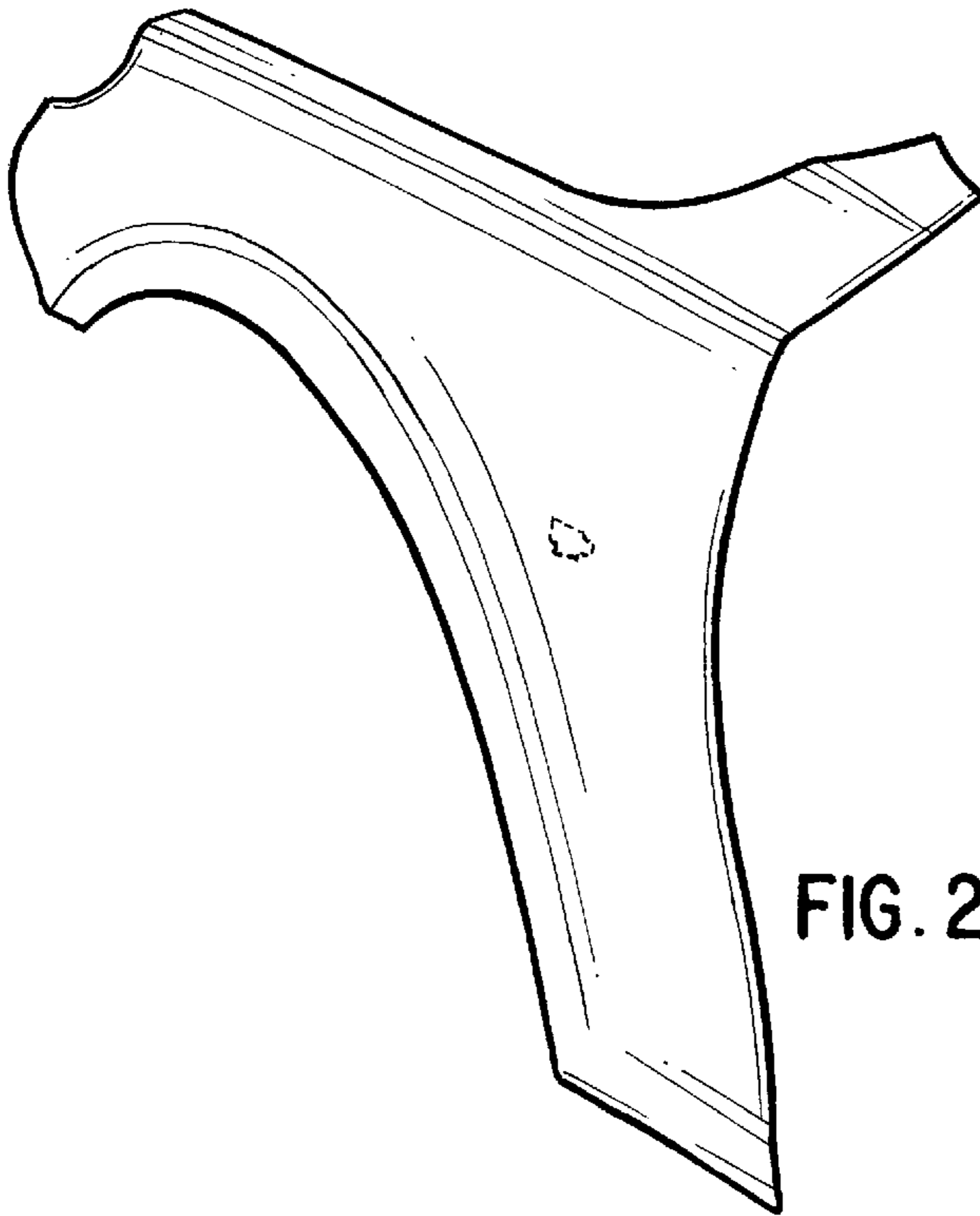


FIG. 2

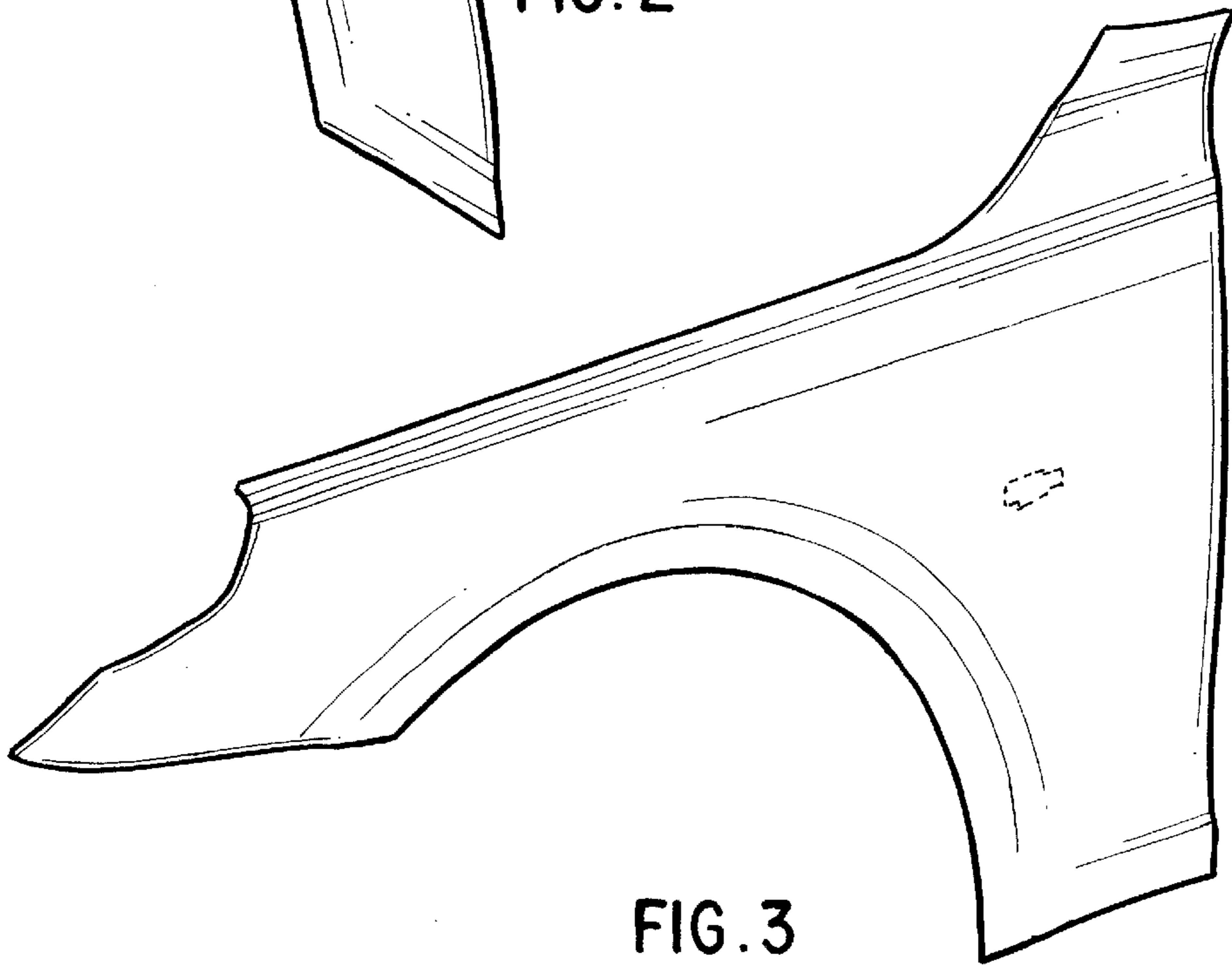


FIG. 3

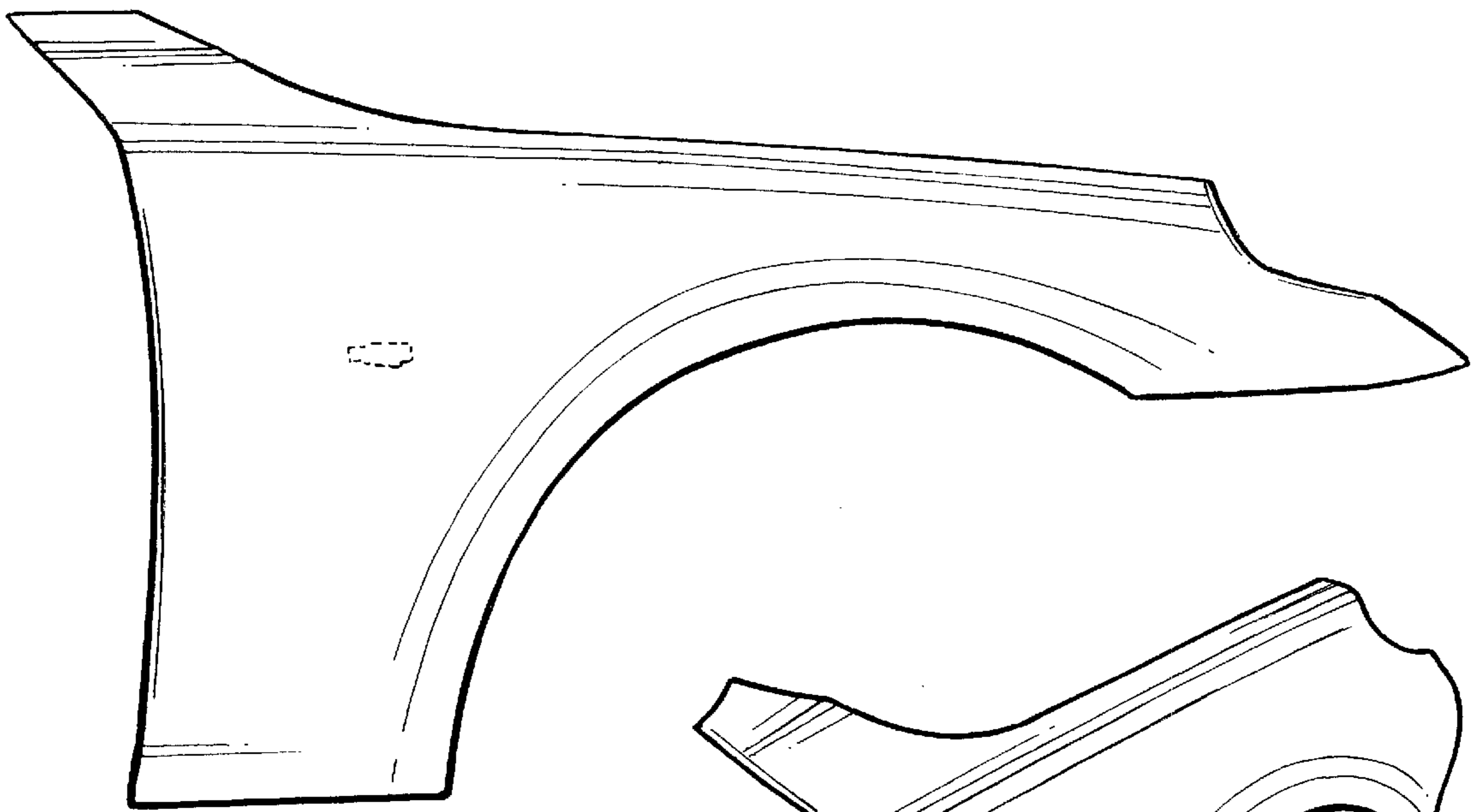


FIG. 4

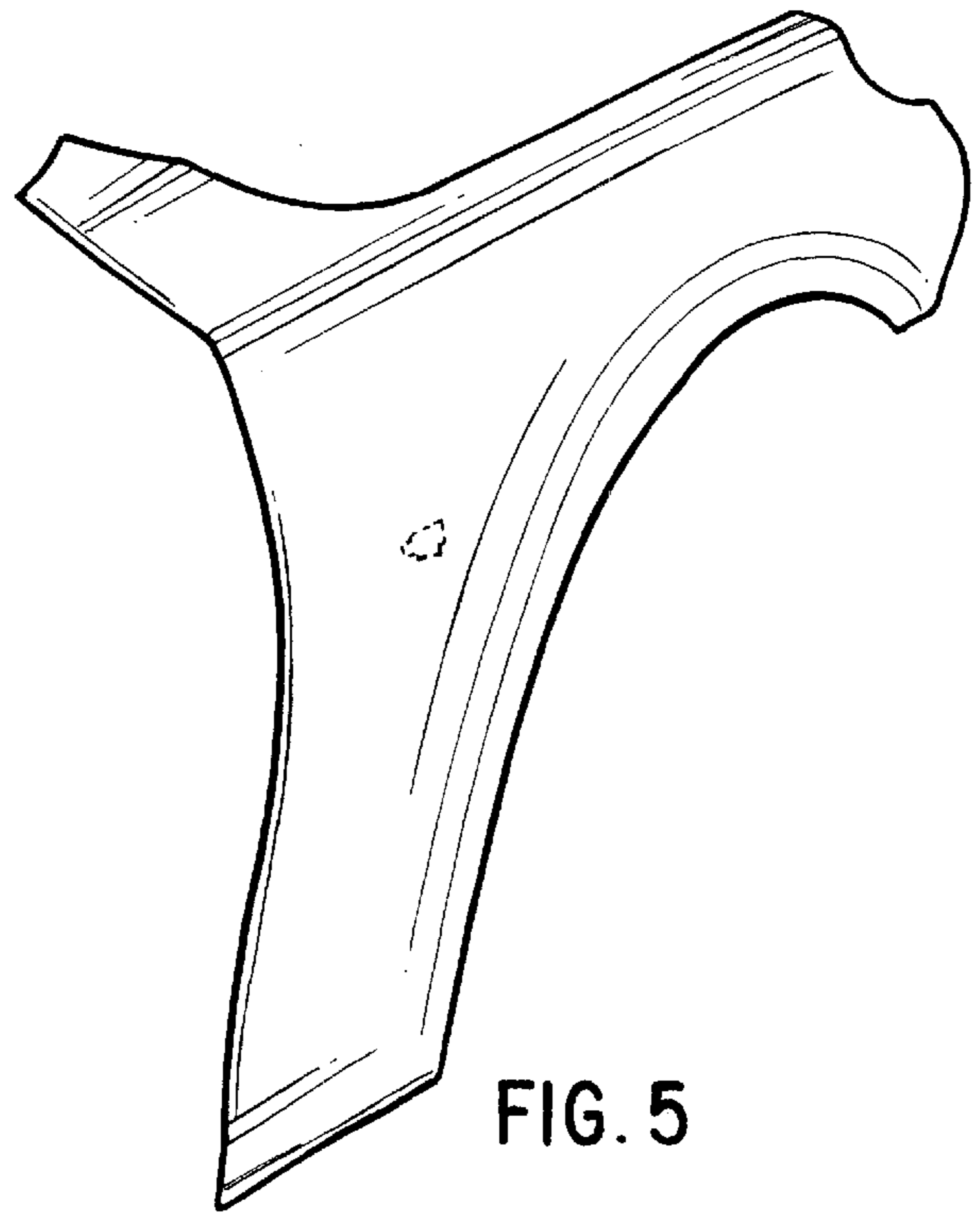


FIG. 5

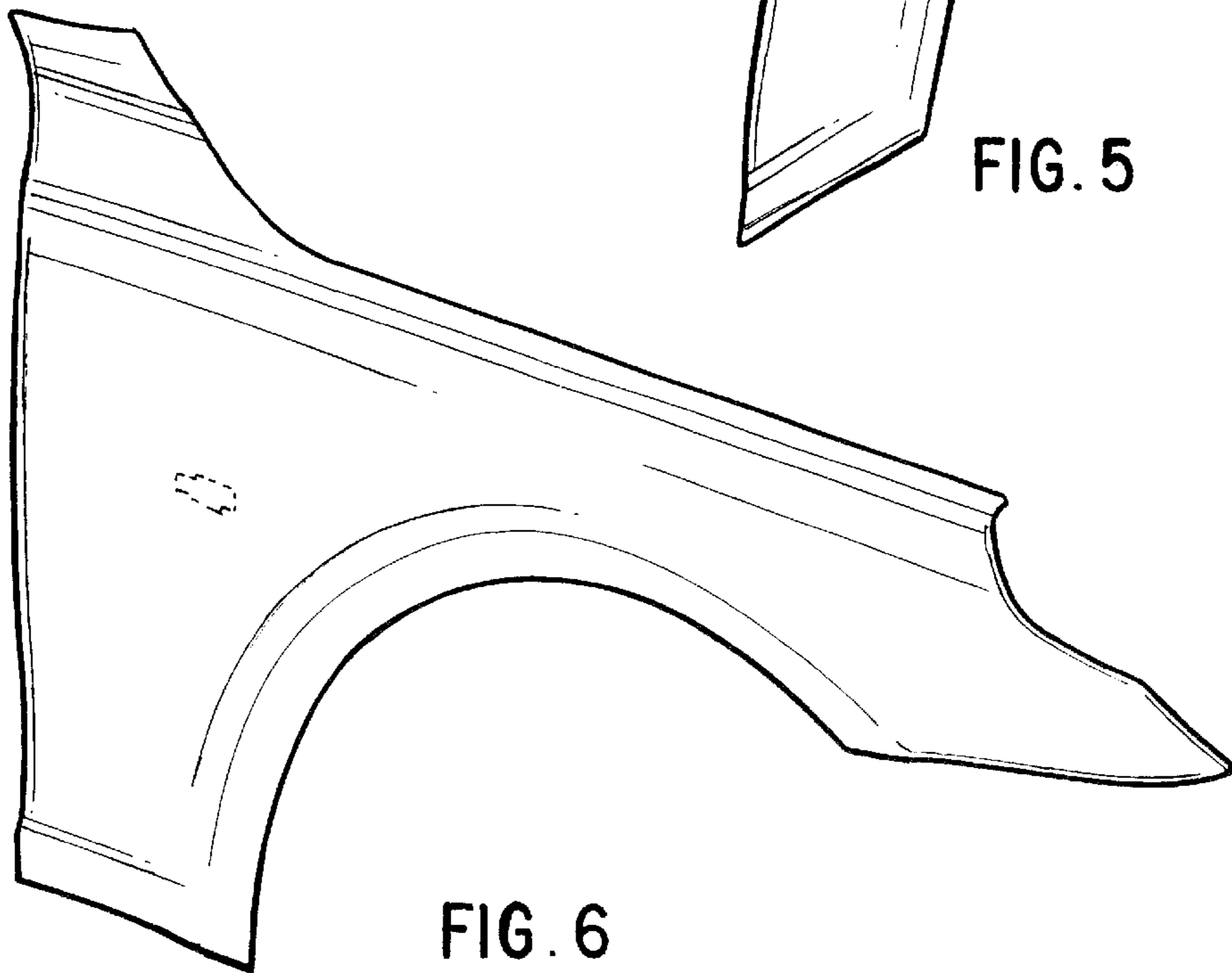


FIG. 6