



US00D479168S

(12) **United States Design Patent**  
**Faust et al.**

(10) **Patent No.:** **US D479,168 S**

(45) **Date of Patent:** **\*\* Sep. 2, 2003**

(54) **STEERING WHEEL WITH STICK**

(75) Inventors: **John Faust**, Burlingame, CA (US);  
**Fred Swan**, Castro Valley, CA (US);  
**Ming Yu**, Taipei (TW); **Wayne Tsai**,  
Hsinchu (TW); **Megan Liu**, Hsinchu  
(TW); **Manuel Tavano**, San Donato  
Milanese (IT); **Matteo Montani**, Vailate  
(IT); **Klaus Fiorino**, Magenta (IT);  
**Andrea Zardoni**, Villasanta (IT)

(73) Assignee: **Logitech Europe S.A.** (CH)

(\*\*) Term: **14 Years**

(21) Appl. No.: **29/161,157**

(22) Filed: **May 21, 2002**

(51) **LOC (7) Cl.** ..... **12-16**

(52) **U.S. Cl.** ..... **D12/176**

(58) **Field of Search** ..... D12/175, 176,  
D12/179; 74/552, 558, 558.5

(56) **References Cited**

**U.S. PATENT DOCUMENTS**

D424,488 S	*	5/2000	Thorpe	.....	D12/176
D463,336 S	*	9/2002	Prather et al.	.....	D12/176
D463,764 S	*	10/2002	Swan et al.	.....	D12/176
D464,595 S	*	10/2002	Zorkendorfer et al.	.....	D12/176
D471,138 S	*	4/2003	Hisoda et al.	.....	D12/176

\* cited by examiner

*Primary Examiner*—Melody N. Brown

(74) *Attorney, Agent, or Firm*—Townsend and Townsend  
and Crew LLP

(57) **CLAIM**

The ornamental design for a steering wheel with stick, as  
shown and described.

**DESCRIPTION**

FIG. 1 is a perspective view of a steering wheel with stick  
showing our new design according to one embodiment;

FIG. 2 is a right side elevational view, the left side eleva-  
tional view being a mirror image thereof;

FIG. 3 is a front elevational view of the wheel portion of the  
steering wheel with stick taken along line 3—3 in FIG. 2;

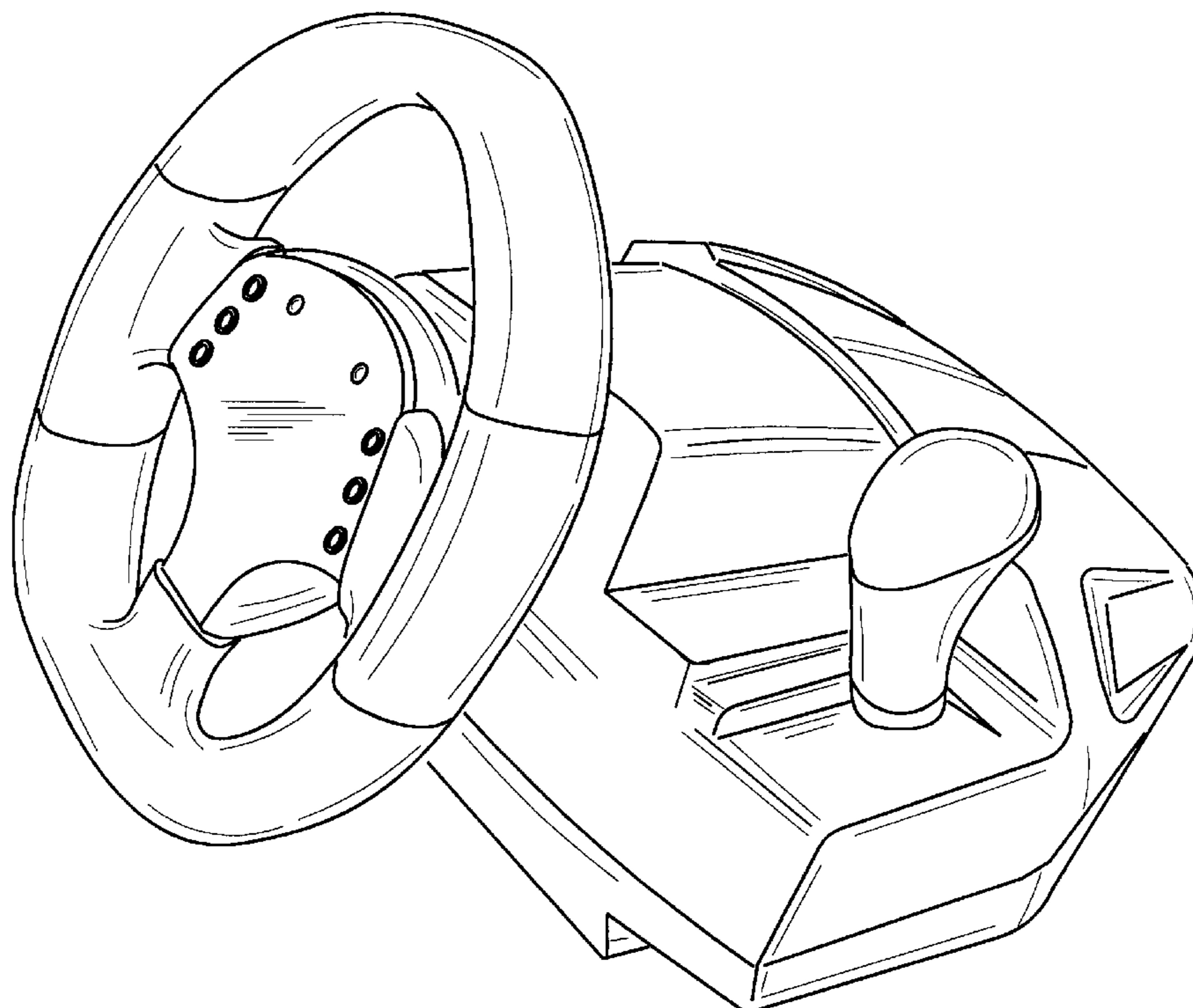
FIG. 4 is a rear elevational view of the steering wheel with  
stick of FIG. 1;

FIG. 5 is a perspective view of a body portion of the steering  
wheel with stick of FIG. 1; and,

FIG. 6 is a perspective view of a steering wheel with stick  
showing a second embodiment of our new design, all other  
drawing views are substantially the same as in FIGS. 1–5.

The broken lines shown in the FIGS. 2 and 4 drawing views  
are for illustrative purposes only and form no part of the  
claimed design.

**1 Claim, 4 Drawing Sheets**



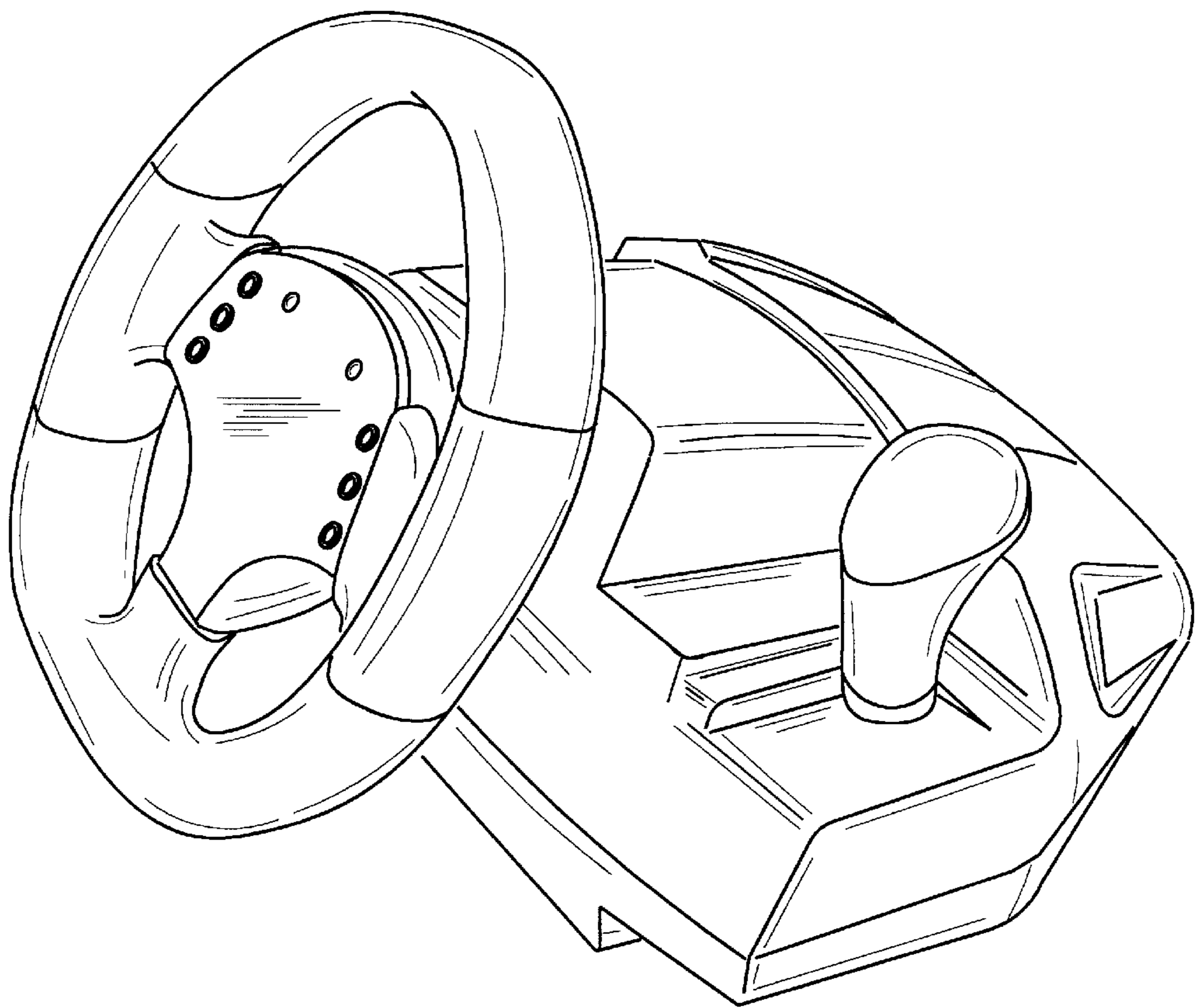


FIG. 1

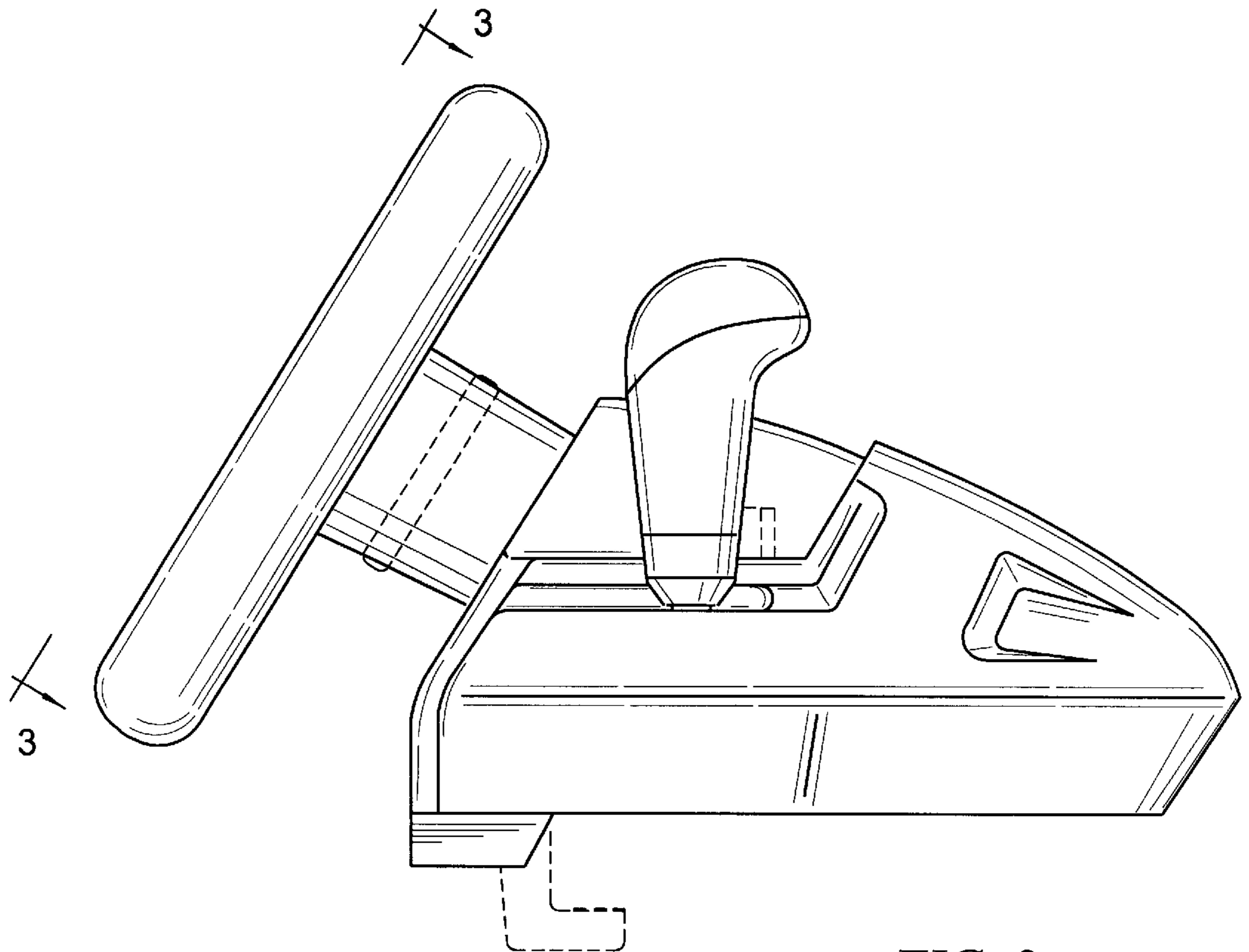


FIG. 2

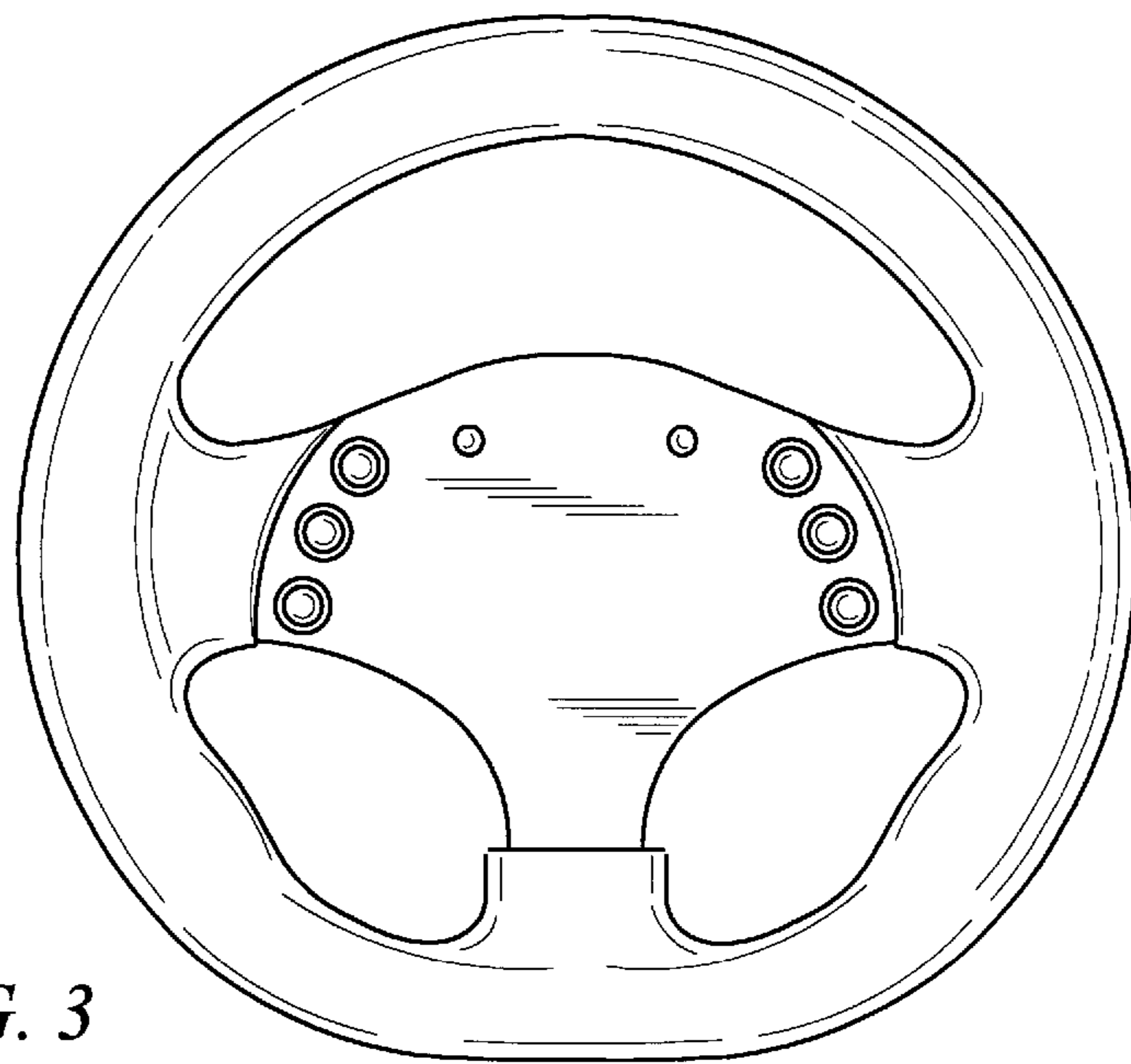


FIG. 3

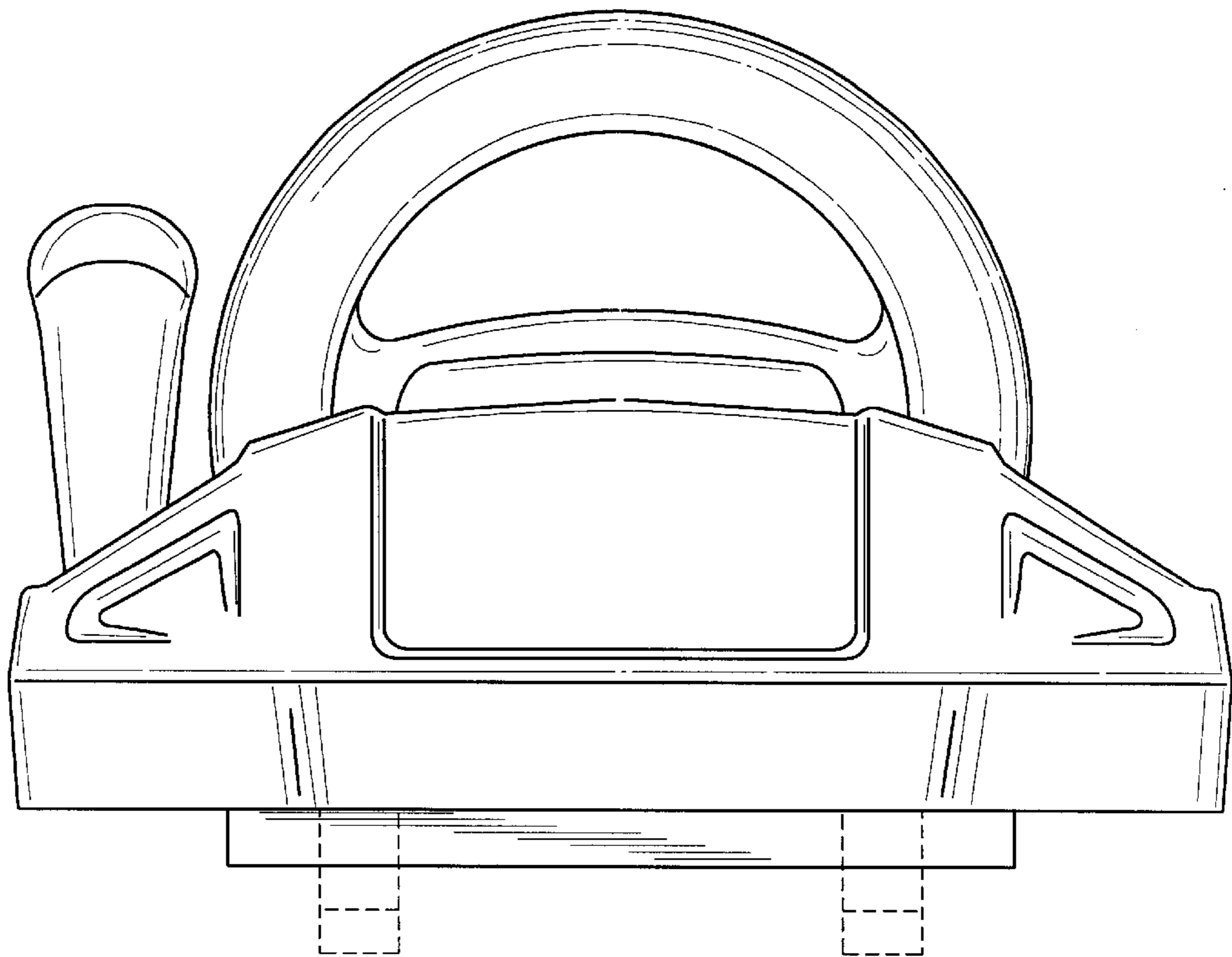


FIG. 4

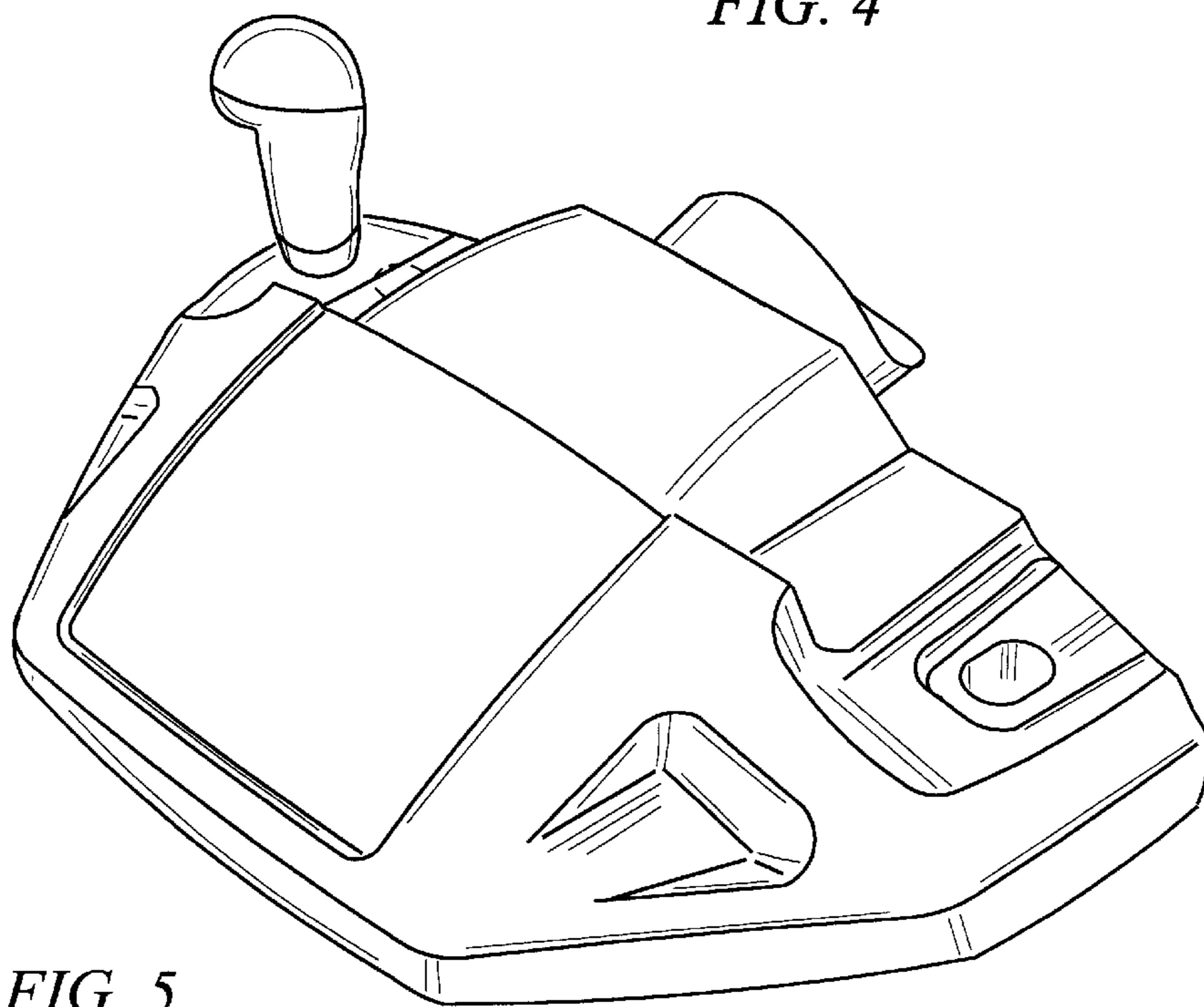
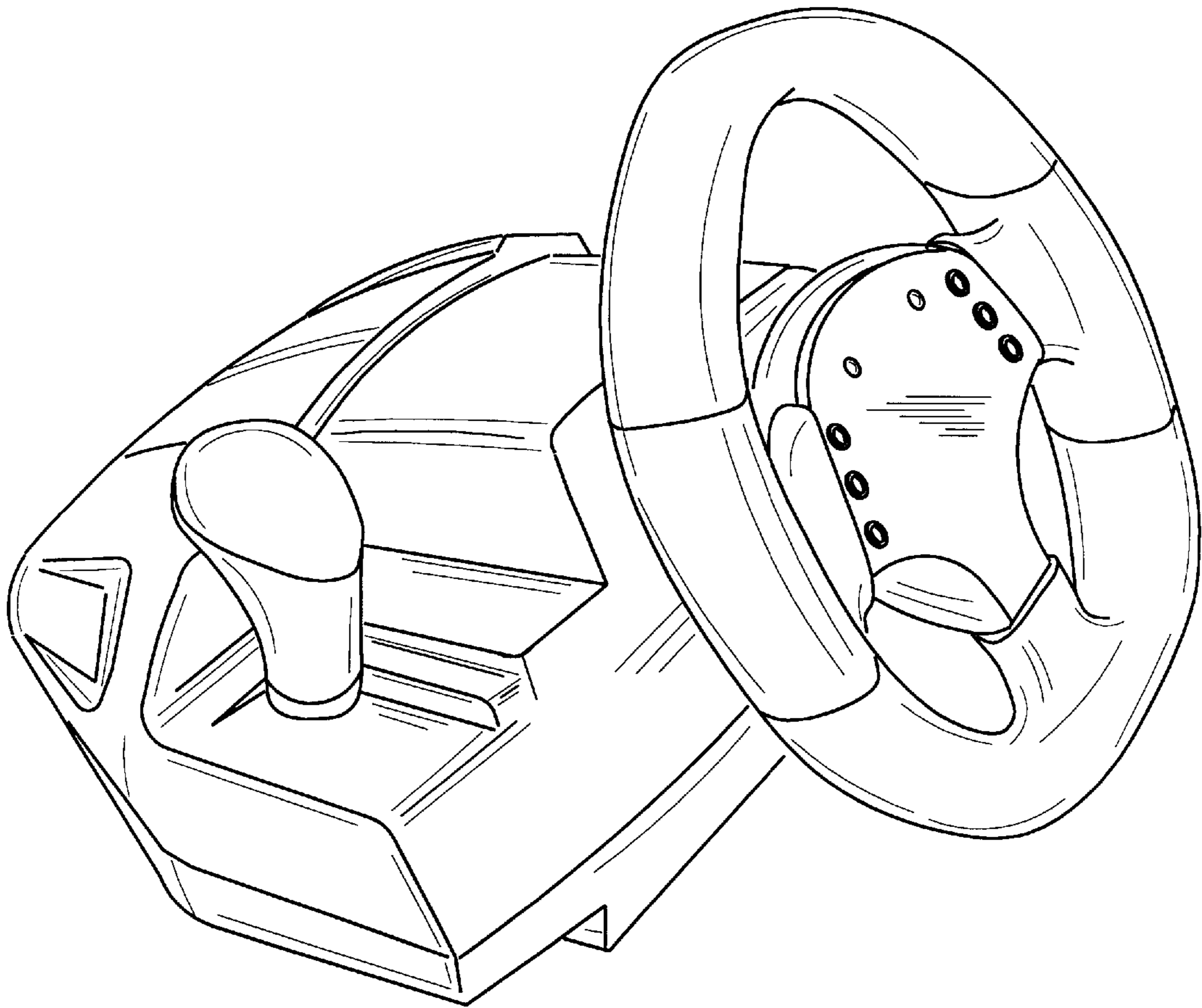


FIG. 5



*FIG. 6*