



US00D479167S

(12) **United States Design Patent**  
**Faust et al.**

(10) **Patent No.:** **US D479,167 S**

(45) **Date of Patent:** **\*\* Sep. 2, 2003**

(54) **PEDALS WITH FLOOR LOCK**

D425,839 S \* 5/2000 Asakura ..... D12/174  
D444,435 S \* 7/2001 Saleen ..... D12/174

(75) Inventors: **John Faust**, Burlingame, CA (US);  
**Fred Swan**, Castro Valley, CA (US);  
**David McVicar**, El Dorado, CA (US);  
**Ming Yu**, Taipei (TW); **Robinson Luo**,  
Taichung (TW); **Manuel Tavano**, San  
Donato Milanese (IT); **Matteo**  
**Montani**, Vailate (IT); **Klaus Fiorino**,  
Magenta (IT); **Andrea Zardoni**,  
Villasanta (IT)

\* cited by examiner

*Primary Examiner*—Melody N. Brown  
(74) *Attorney, Agent, or Firm*—Townsend and Townsend  
and Crew LLP

(73) Assignee: **Logitech Europe S.A.** (CH)

(\*\*) Term: **14 Years**

(21) Appl. No.: **29/161,104**

(22) Filed: **May 21, 2002**

(51) **LOC (7) Cl.** ..... **12-16**

(52) **U.S. Cl.** ..... **D12/174**

(58) **Field of Search** ..... D12/174, 125;  
74/560-563; 280/259; 403/257

(57) **CLAIM**

The ornamental design for pedals with floor lock, as shown  
and described.

**DESCRIPTION**

FIG. 1 is a perspective view of pedals with floor lock  
showing our new design;

FIG. 2 is another perspective view thereof;

FIG. 3 is a right side elevational view thereof;

FIG. 4 is a left side elevational view thereof; and,

FIG. 5 is a bottom plan view thereof.

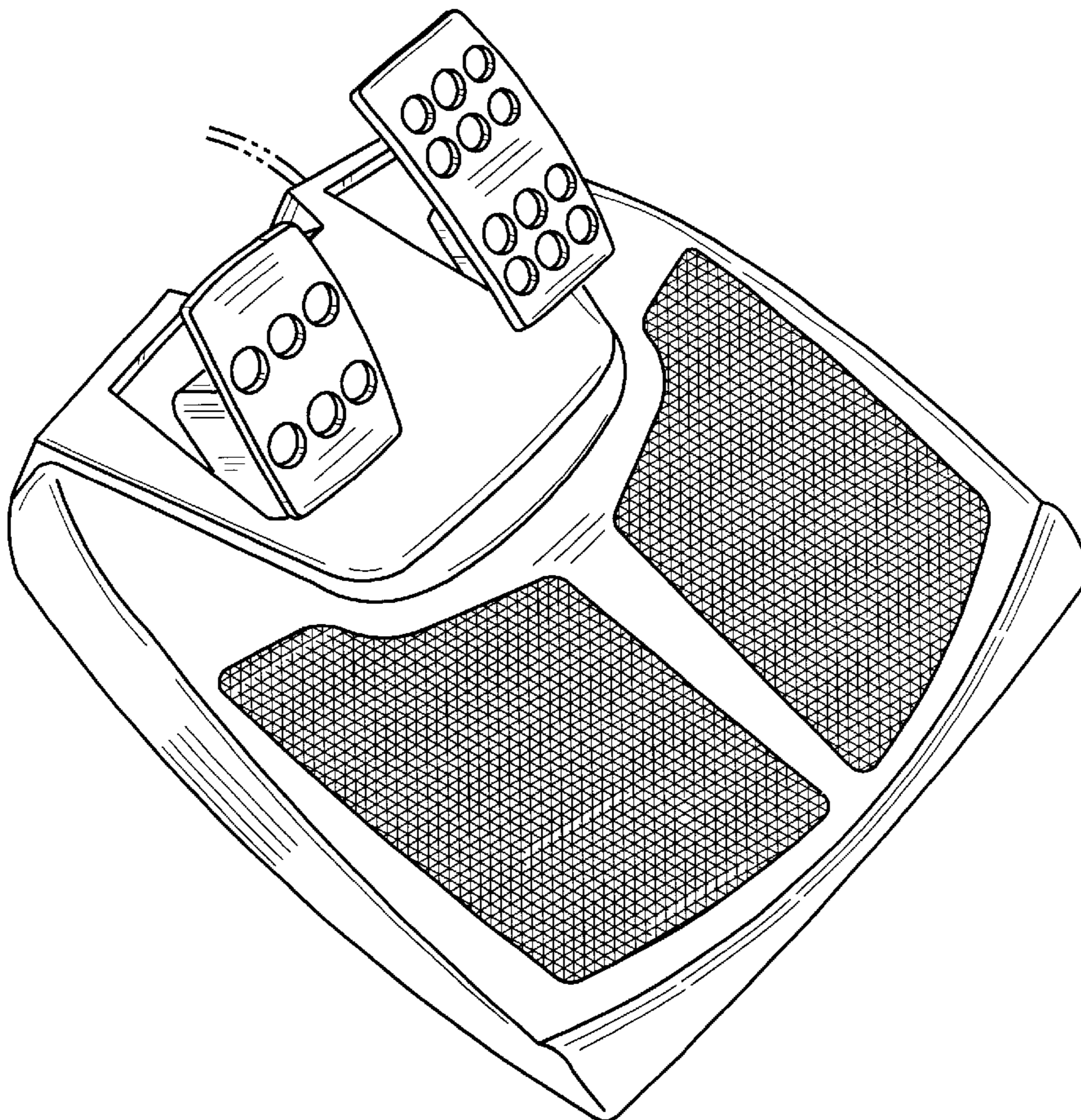
The broken lines shown in FIGS. 1 and 2 drawing views are  
for illustrative purposes only and form no part of the claimed  
design.

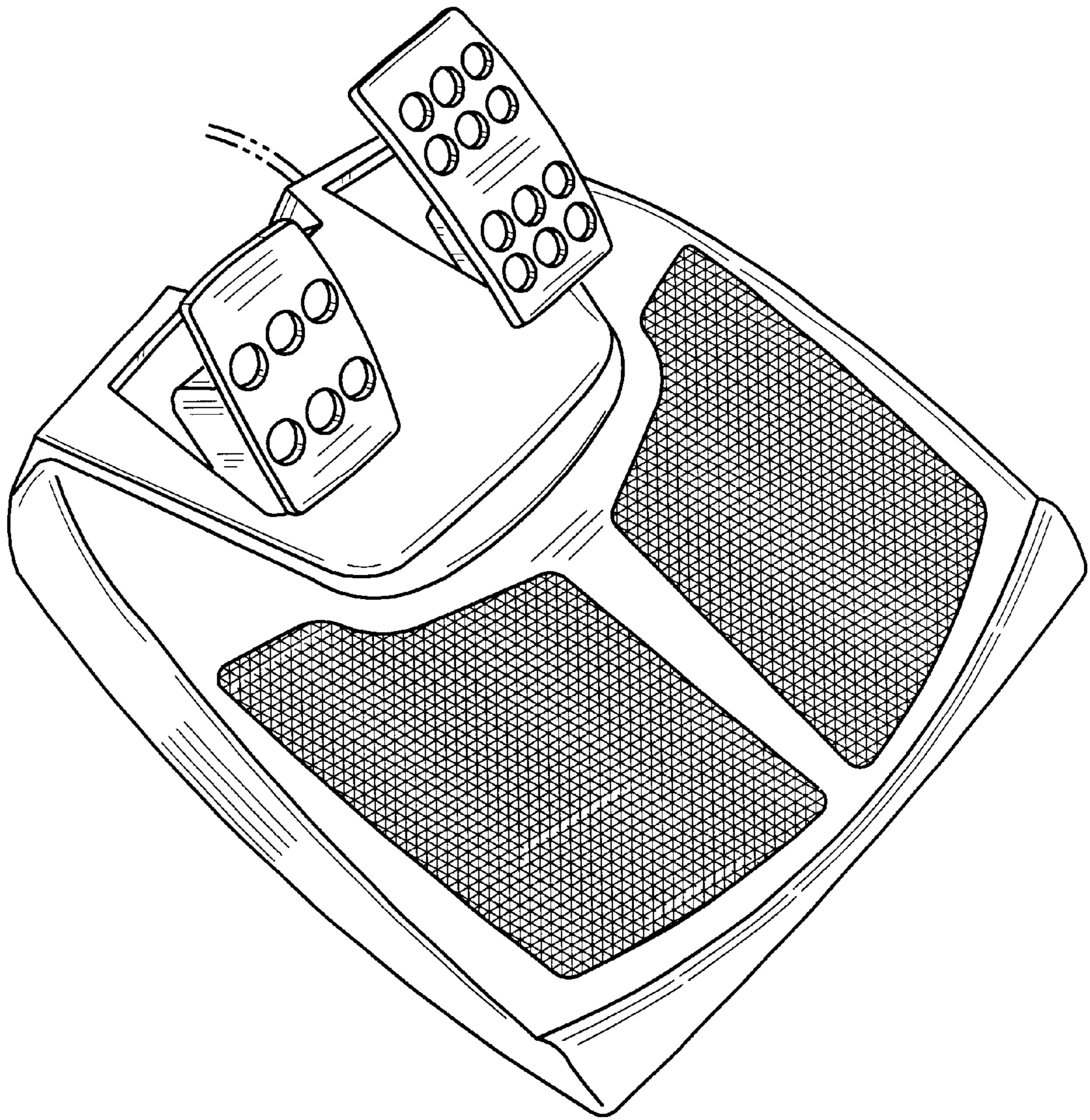
(56) **References Cited**

**U.S. PATENT DOCUMENTS**

5,398,570 A \* 3/1995 Chae ..... 74/563

**1 Claim, 3 Drawing Sheets**





*FIG. 1*

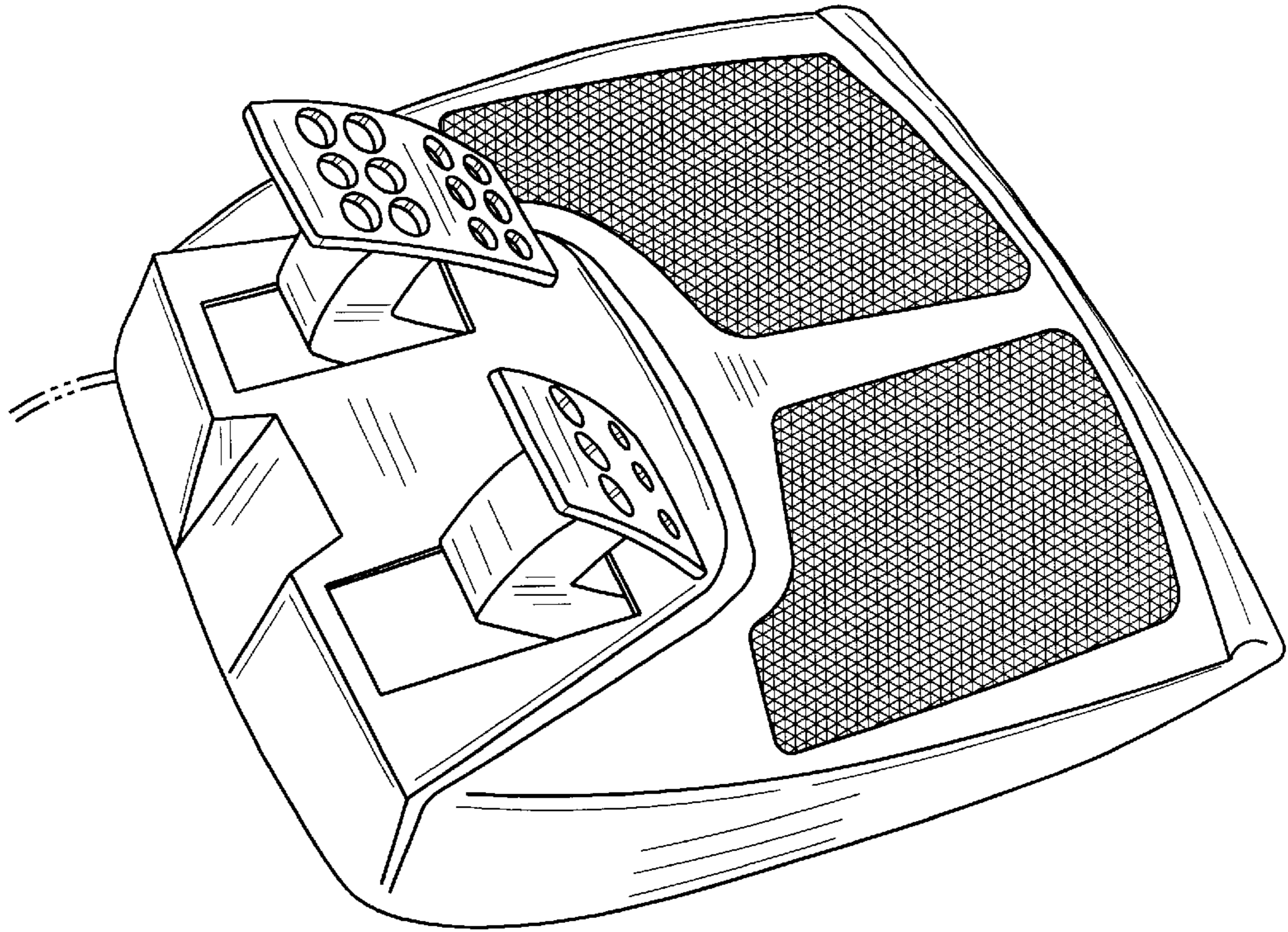


FIG. 2

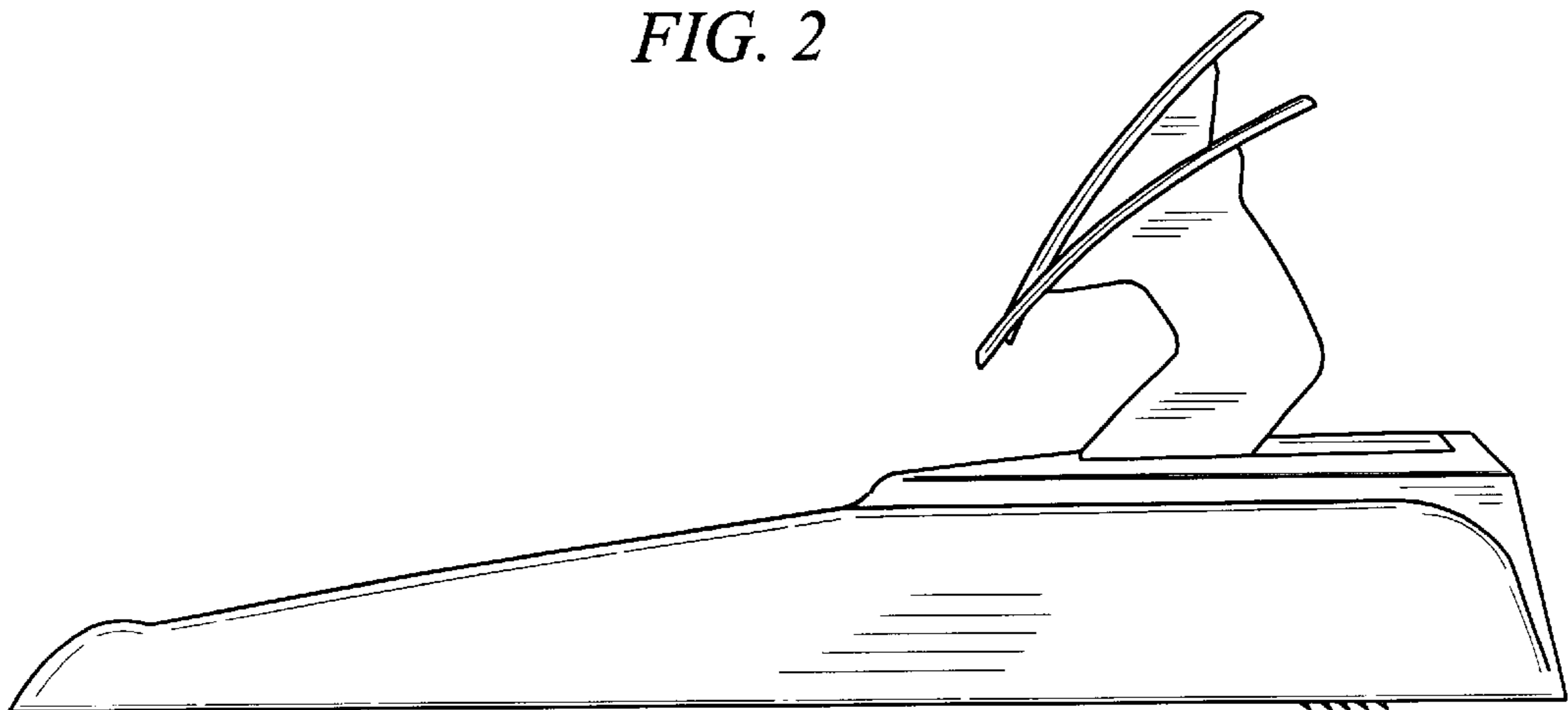


FIG. 3

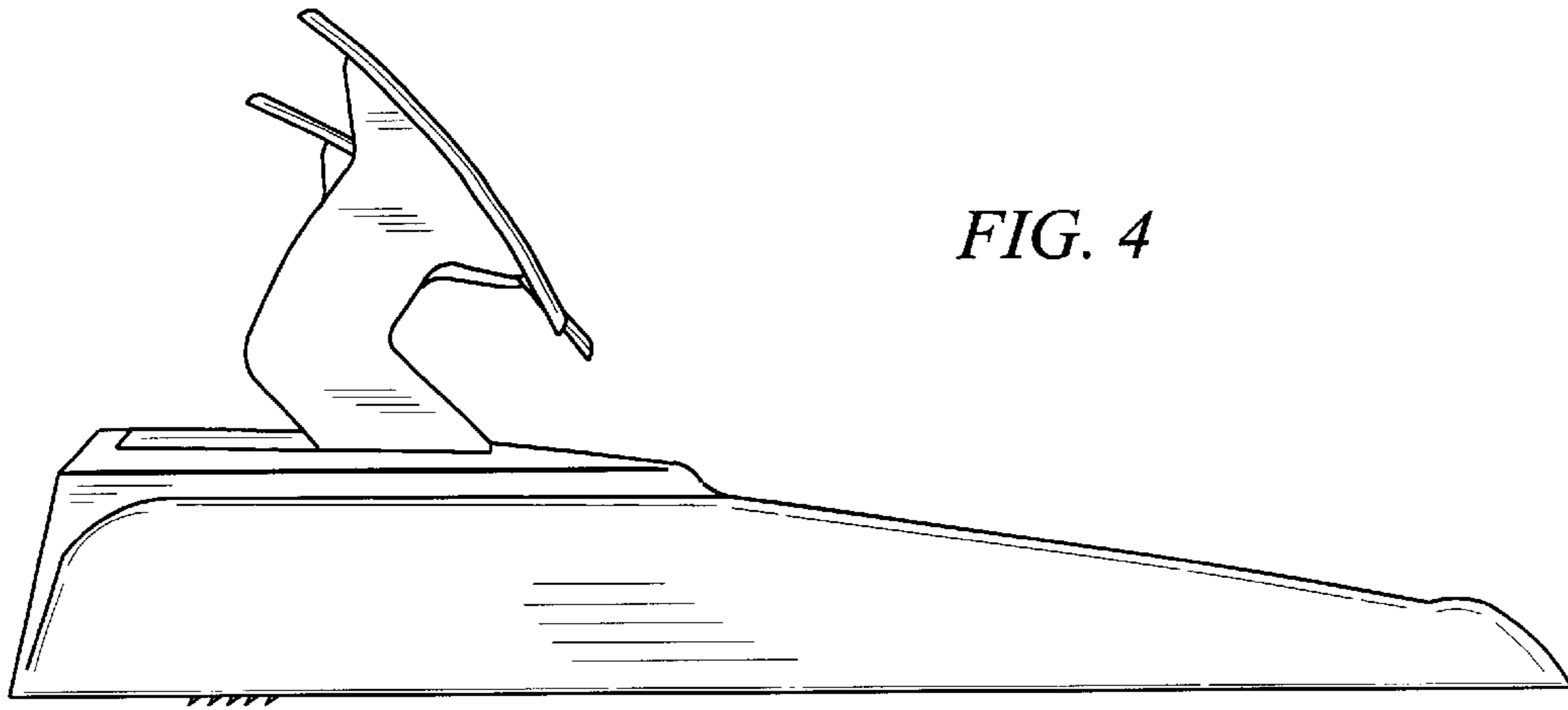


FIG. 4

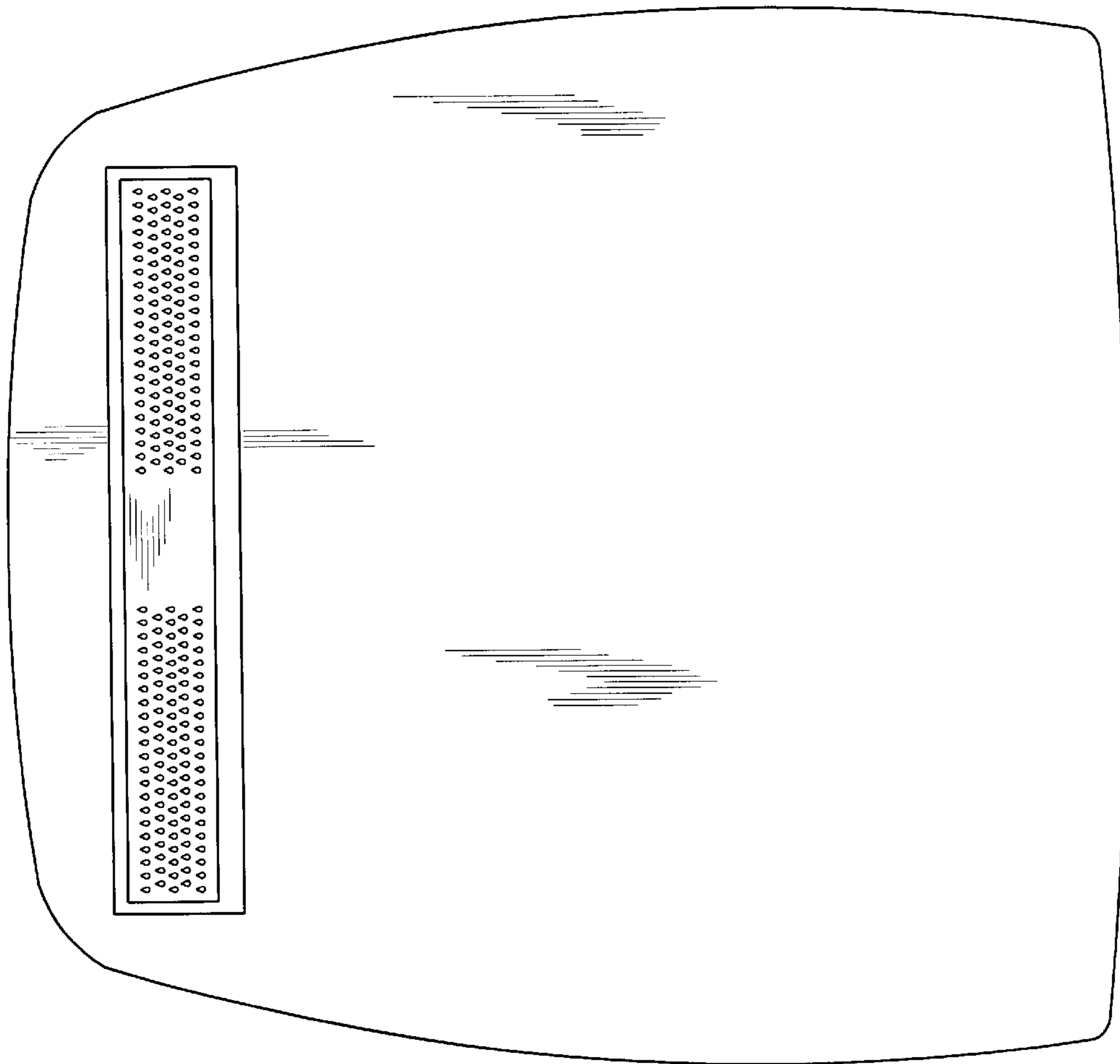


FIG. 5