



US00D479164S

(12) **United States Design Patent**  
**Wu**

(10) **Patent No.:** **US D479,164 S**

(45) **Date of Patent:** **\*\* Sep. 2, 2003**

(54) **WALKER**

D396,437 S \* 7/1998 Liljedahl ..... D12/130

(76) Inventor: **David Wu**, No. 35-1, Jih Hsin Street,  
Tu Cheng City, Taipei Hsien (TW)

\* cited by examiner

(\*\*) Term: **14 Years**

*Primary Examiner*—Marcus A. Jackson  
(74) *Attorney, Agent, or Firm*—Troxell Law Office PLLC

(21) Appl. No.: **29/169,829**

(57) **CLAIM**

(22) Filed: **Oct. 28, 2002**

The ornamental design for walker, as shown and described.

(51) **LOC (7) Cl.** ..... **12-12**

**DESCRIPTION**

(52) **U.S. Cl.** ..... **D12/130**

FIG. 1 is a perspective view of a walker showing my new design;

(58) **Field of Search** ..... D12/128-133;

280/47.27, 47.28, 47.29, 47.35; 135/65,  
67, 70

FIG. 2 is a front elevational view thereof;

FIG. 3 is a rear elevational view thereof;

FIG. 4 is a top plan view thereof;

FIG. 5 is a bottom pan view thereof;

FIG. 6 is a side elevational view thereof, the opposite side  
being a mirror image of that shown; and,

FIG. 7 illustrates the walker in folded status.

(56) **References Cited**

**U.S. PATENT DOCUMENTS**

D356,762 S \* 3/1995 Silbersky ..... D12/130

D361,050 S \* 8/1995 Macmillan ..... D12/130

D385,233 S \* 10/1997 Doyle et al. .... D12/130

**1 Claim, 7 Drawing Sheets**





Fig. 1

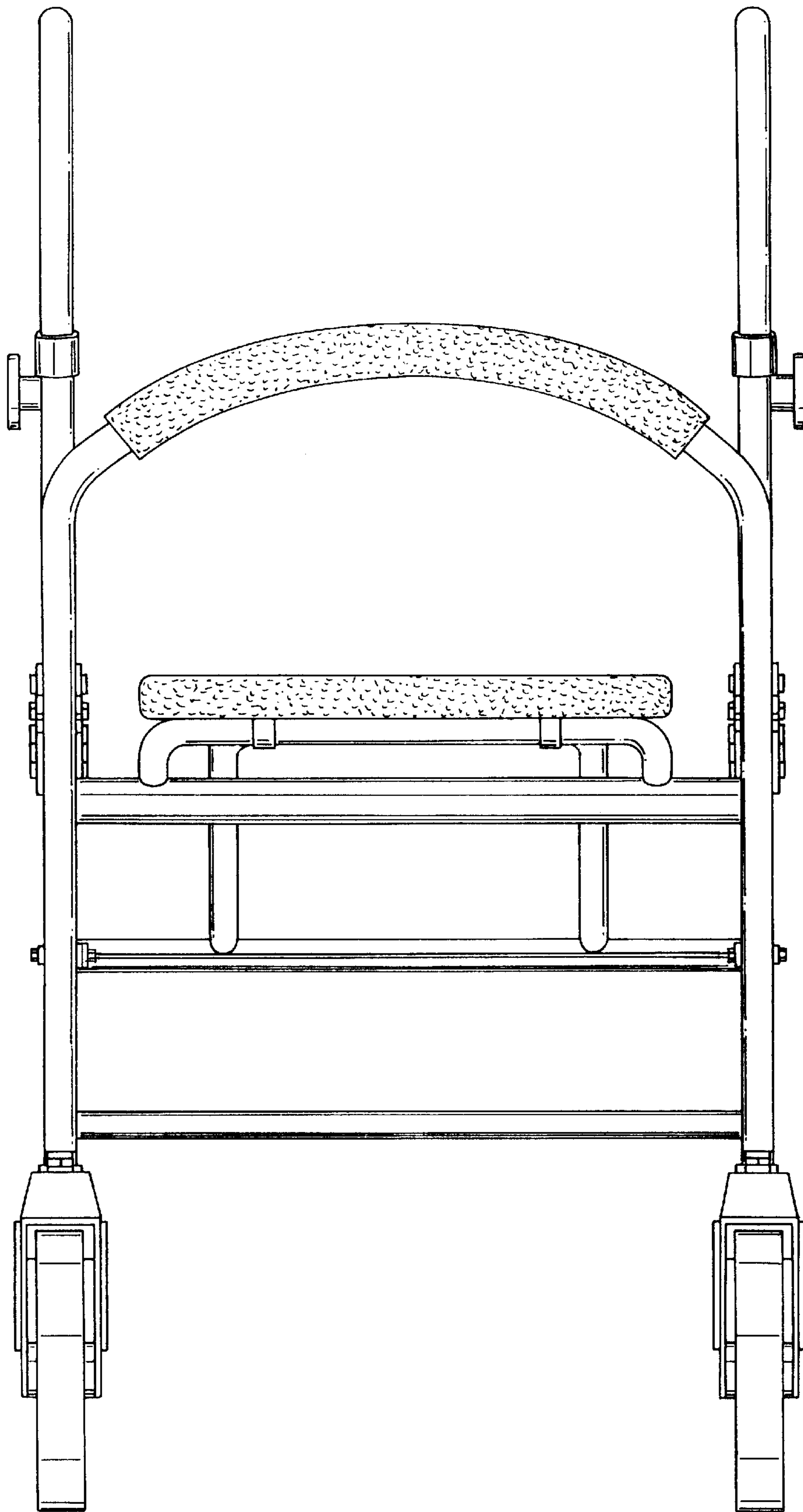


Fig. 2

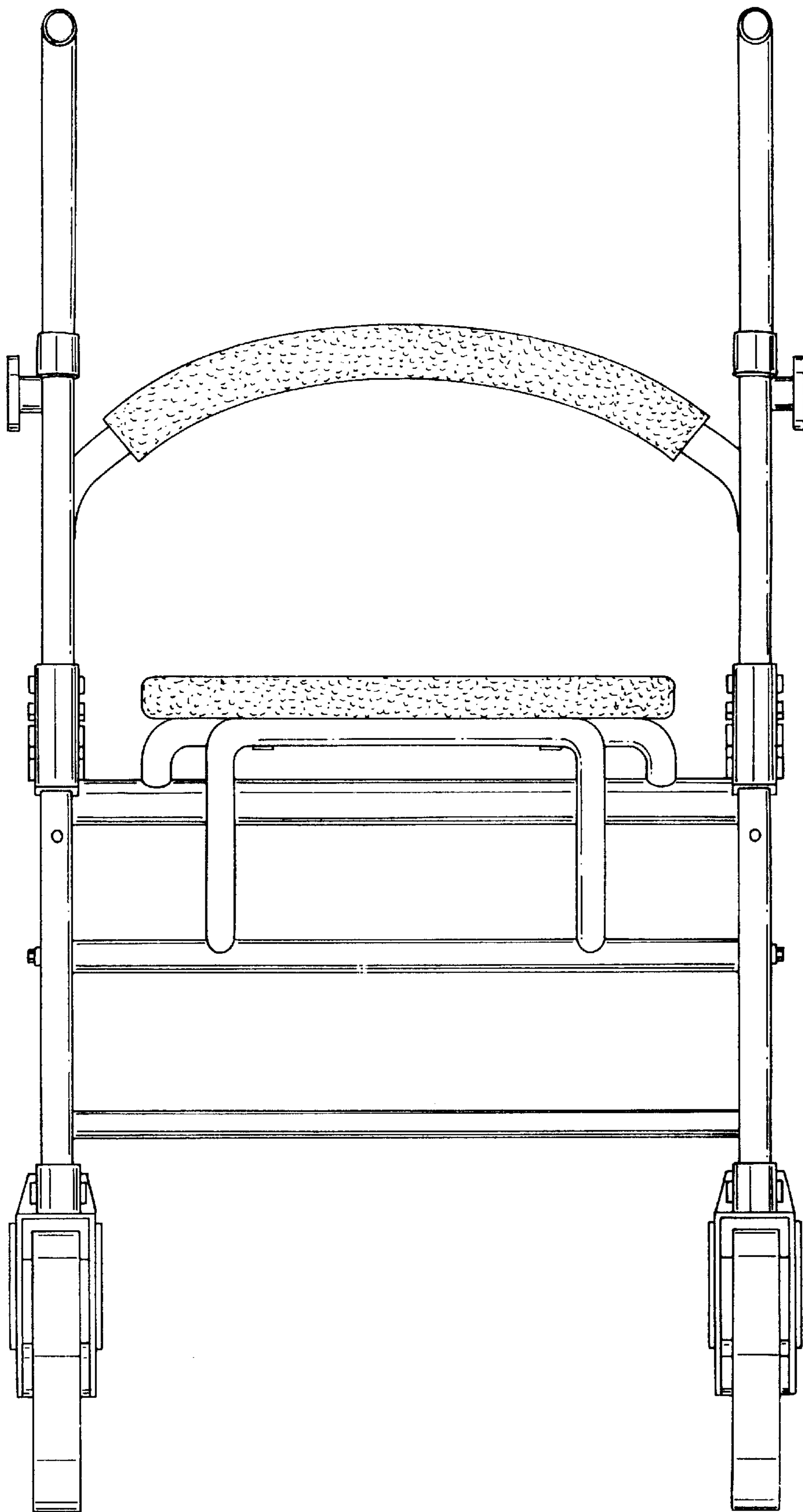


Fig. 3

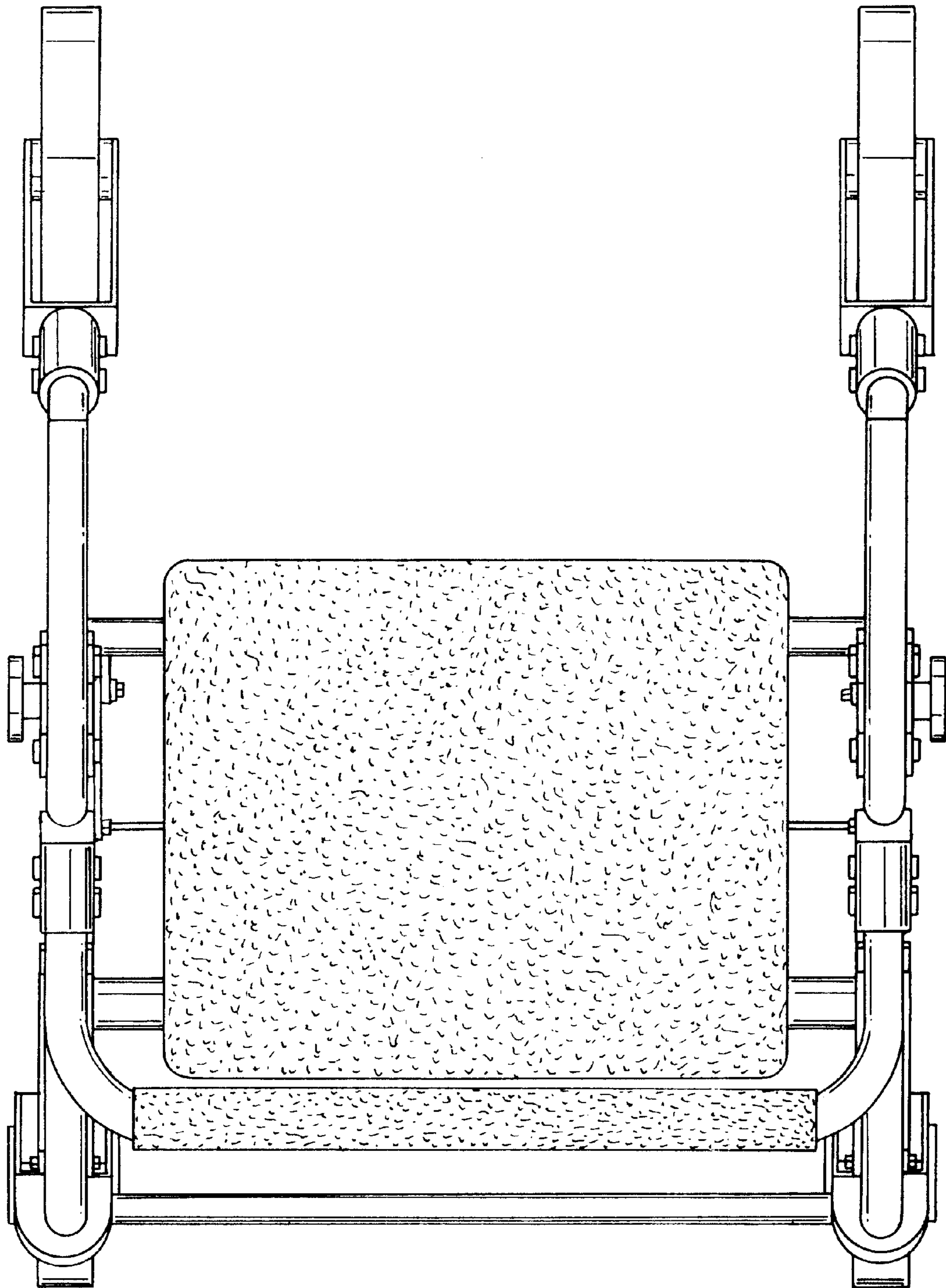


Fig. 4

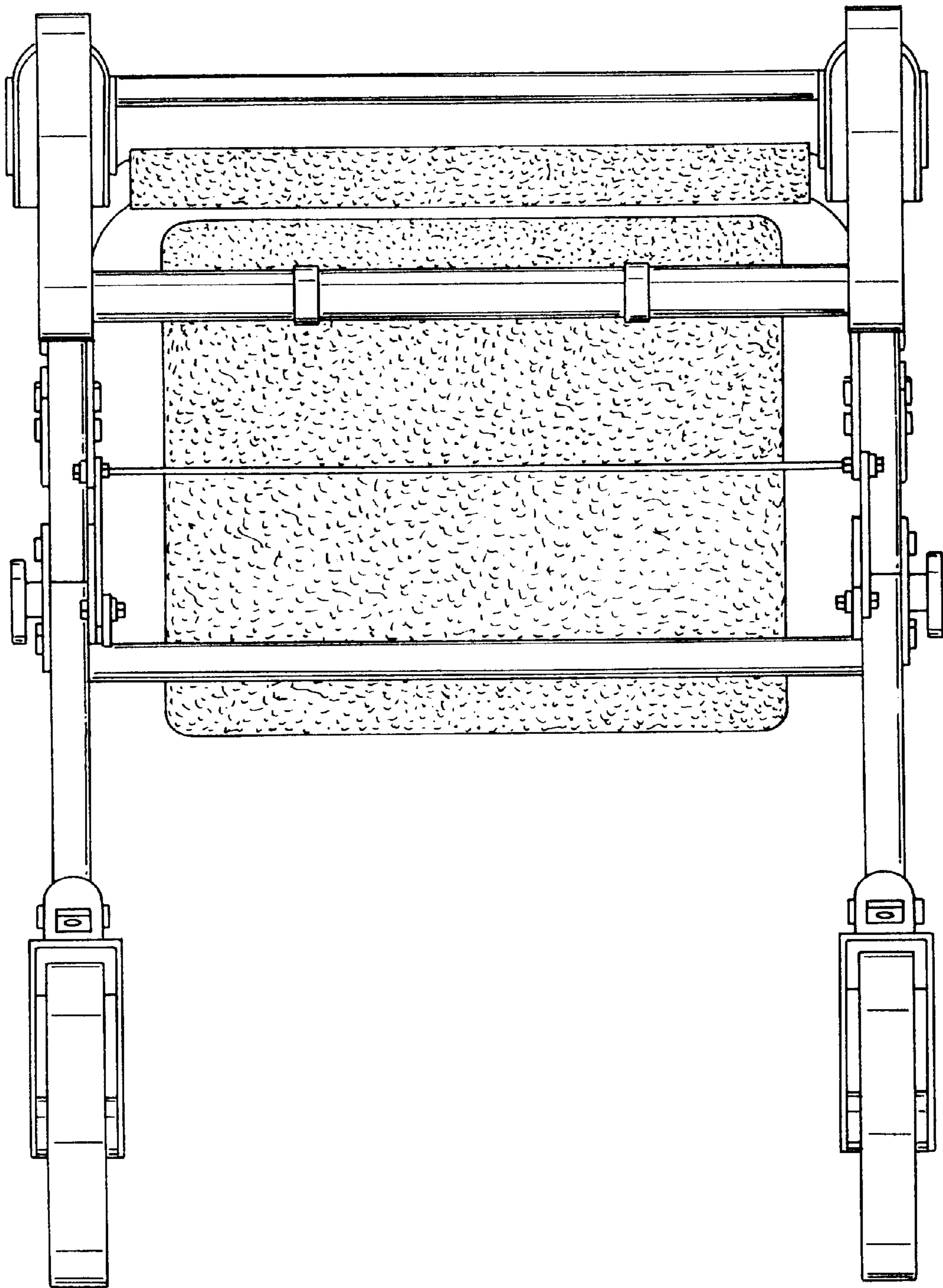


Fig. 5

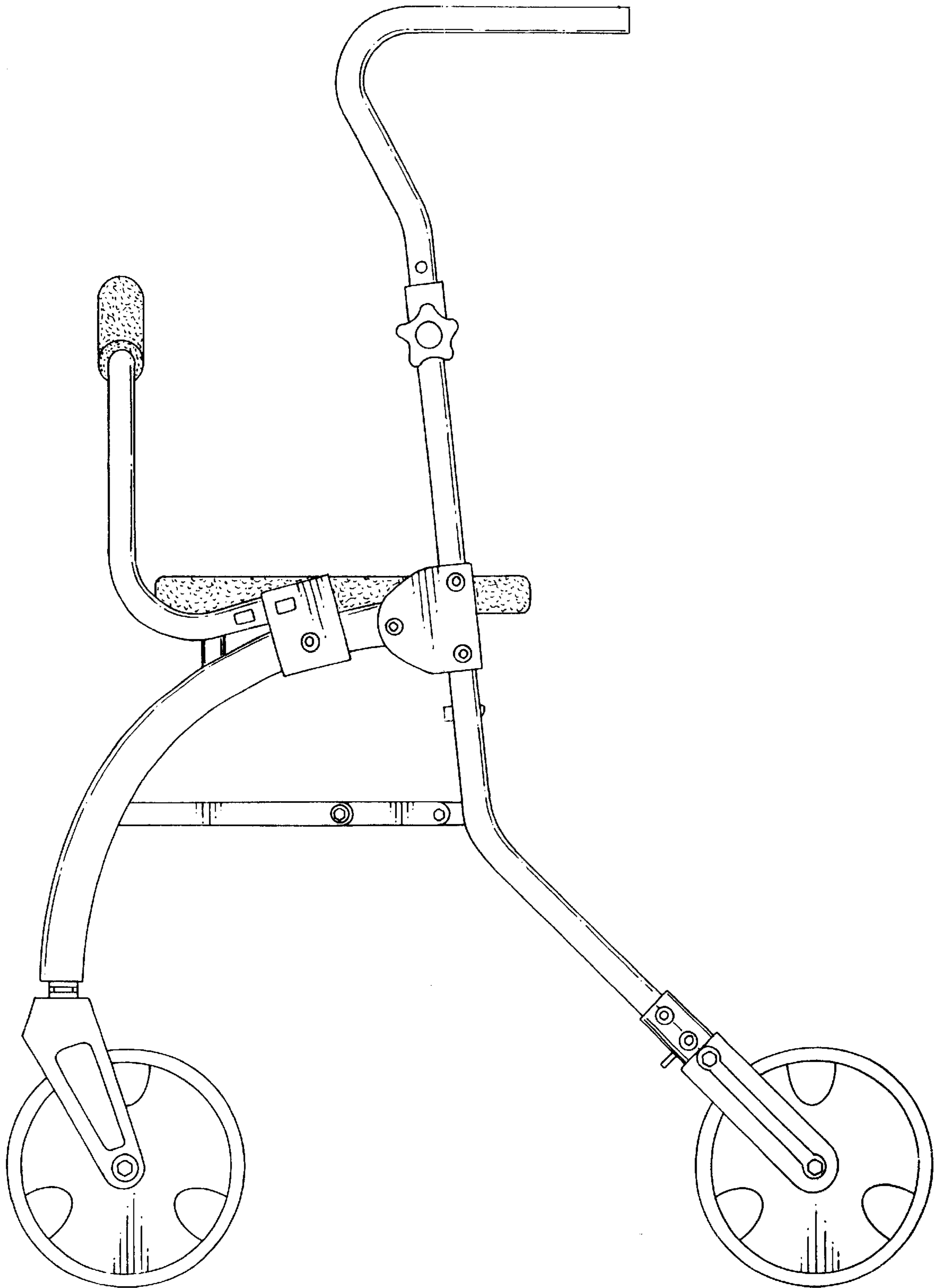


Fig. 6

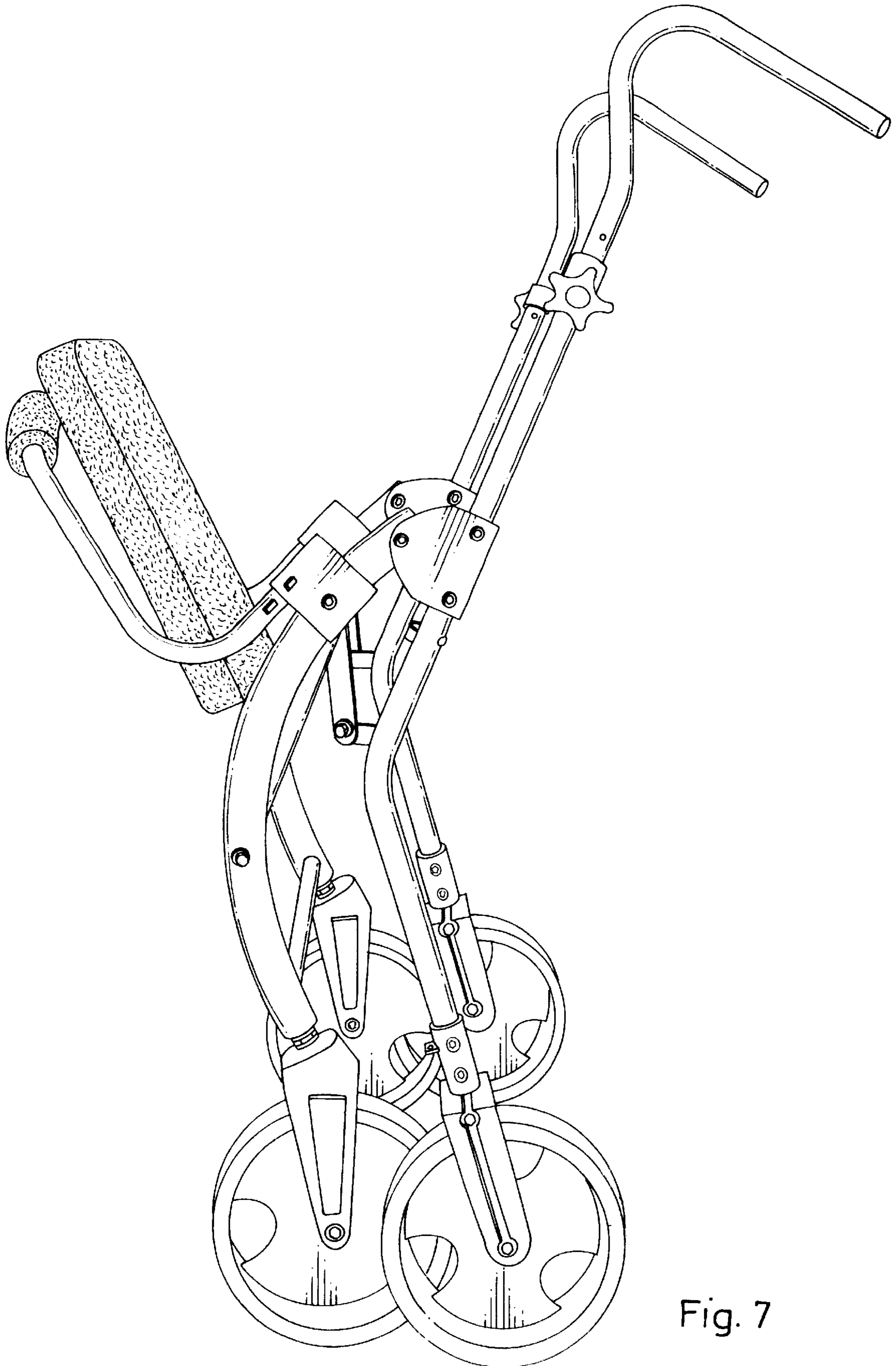


Fig. 7