



US00D479162S

(12) **United States Design Patent**
Skibo

(10) **Patent No.:** **US D479,162 S**

(45) **Date of Patent:** **** Sep. 2, 2003**

(54) **SOUND PRODUCING GENERATOR FOR BICYCLES**

(76) **Inventor:** **Paul A. Skibo**, 10 Caitlin Cir., Naugatuck, CT (US) 06477

(**) **Term:** **14 Years**

(21) **Appl. No.:** **29/161,205**

(22) **Filed:** **May 28, 2002**

(51) **LOC (7) Cl.** **12-11**

(52) **U.S. Cl.** **D12/114**

(58) **Field of Search** D12/111, 114;
446/189, 404, 421; 280/288.4; 248/689;
116/56, 61, 62

(56) **References Cited**

U.S. PATENT DOCUMENTS

2,367,430 A * 1/1945 Redlund 116/56
D341,554 S * 11/1993 Freling D12/114
5,611,558 A * 3/1997 Randmae 280/288.4

6,039,338 A * 3/2000 Perea et al. 280/288.4

* cited by examiner

Primary Examiner—Alan P. Douglas

Assistant Examiner—Linda Brooks

(74) *Attorney, Agent, or Firm*—Melvin I. Stoltz

(57) **CLAIM**

The ornamental design for a sound producing generator for bicycles, as shown and described.

DESCRIPTION

FIG. 1 is a perspective view of the sound producing generator for bicycles showing my new design;

FIG. 2 is a top plan view thereof;

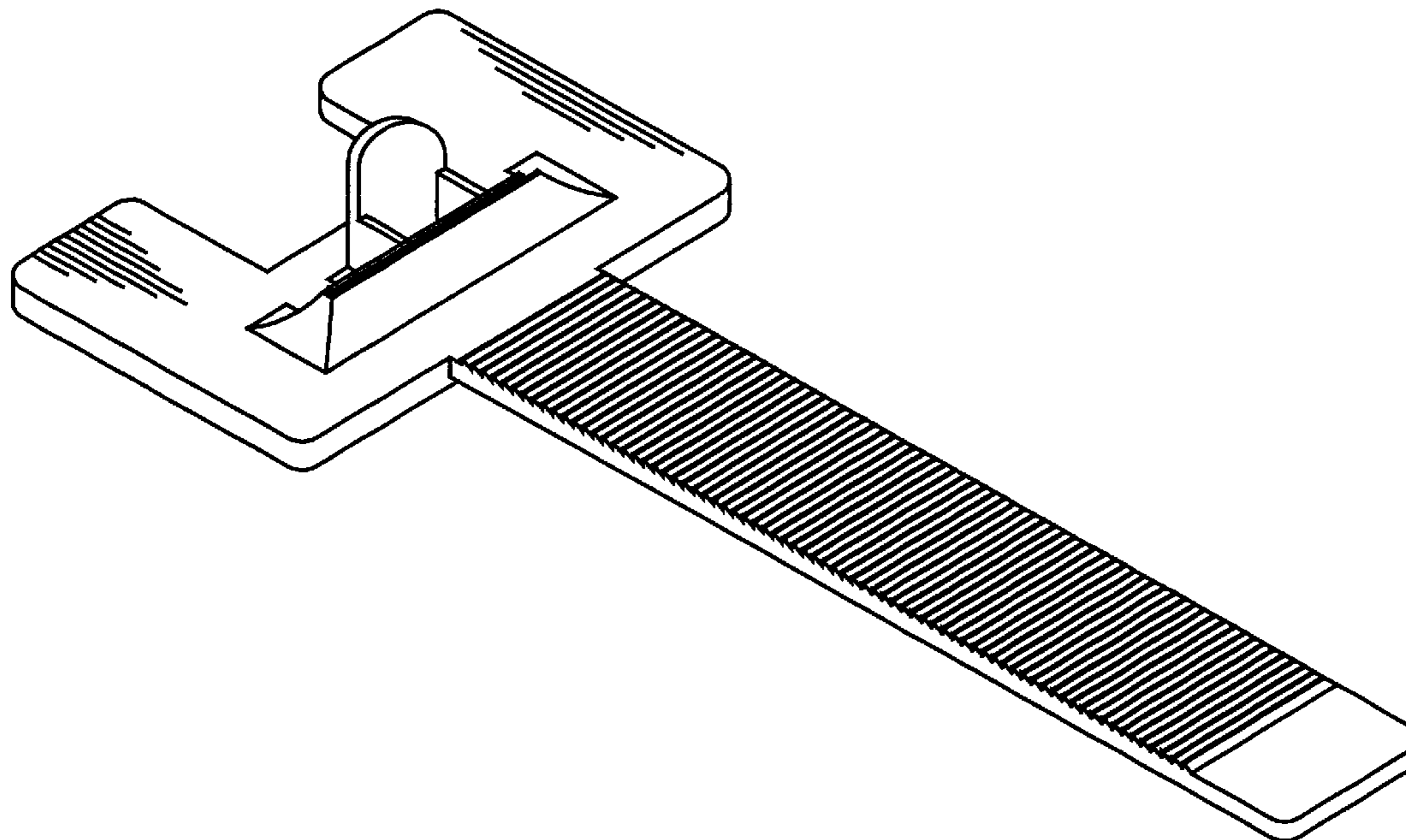
FIG. 3 is a bottom plan view thereof;

FIG. 4 is a side elevational view thereof, looking from left side of FIG. 2, the opposed side being a mirror image thereof; and

FIG. 5 is a front elevational view thereof; and,

FIG. 6 is a rear elevational view thereof.

1 Claim, 3 Drawing Sheets



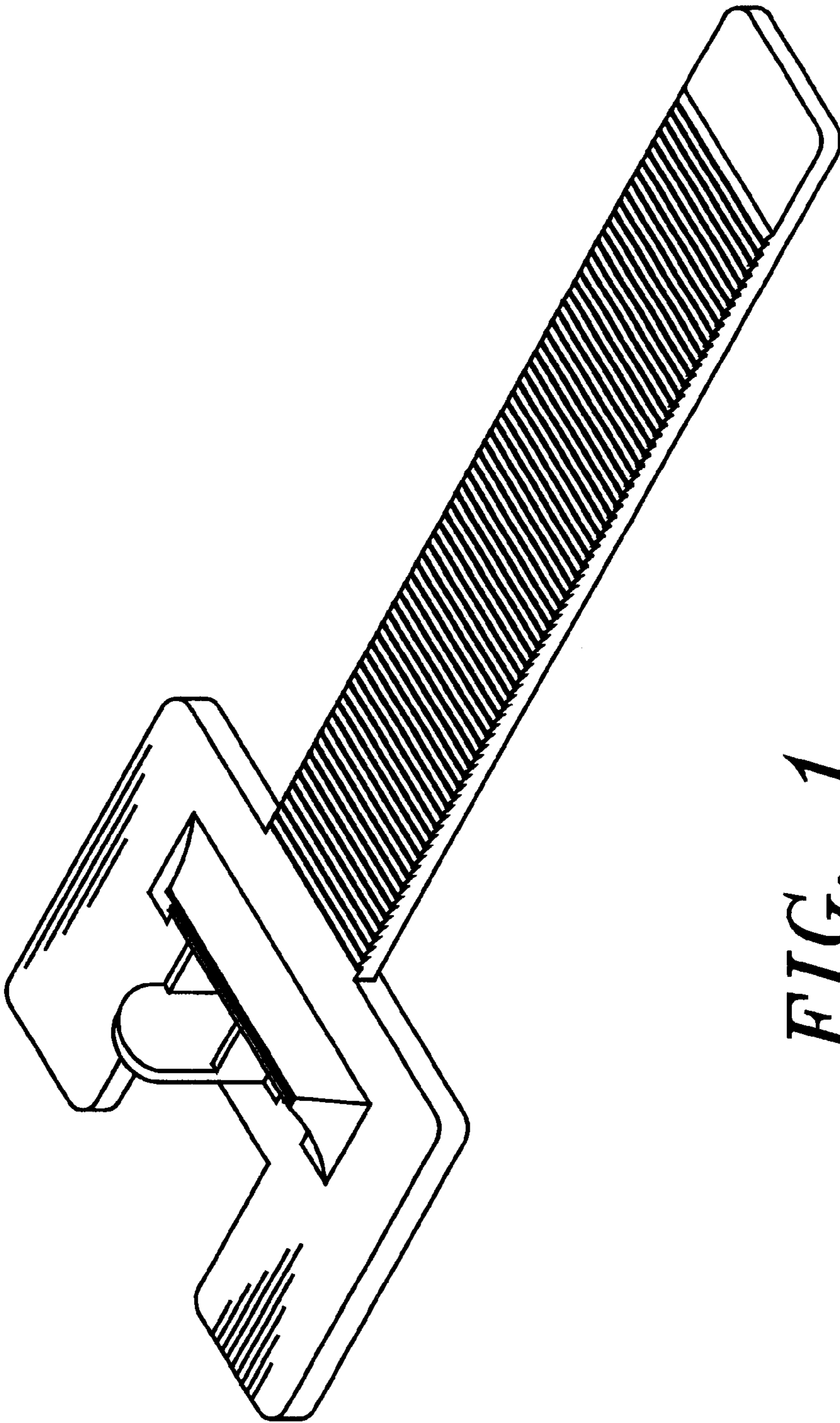


FIG. 1

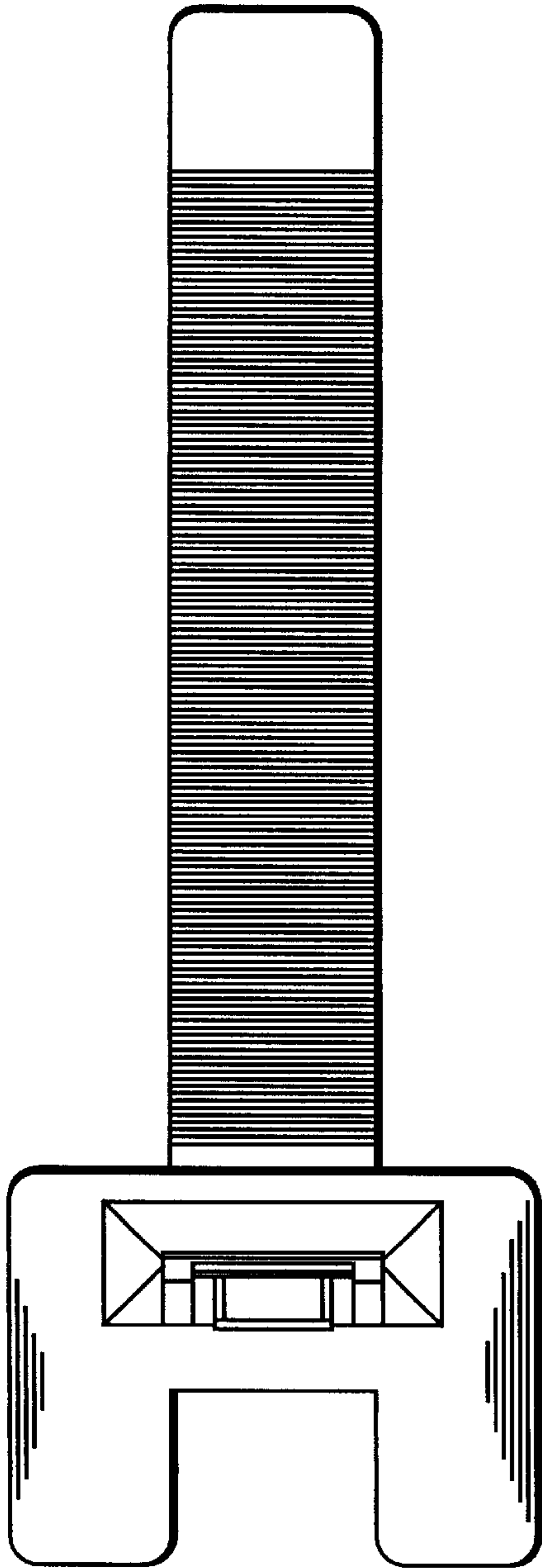


FIG. 2

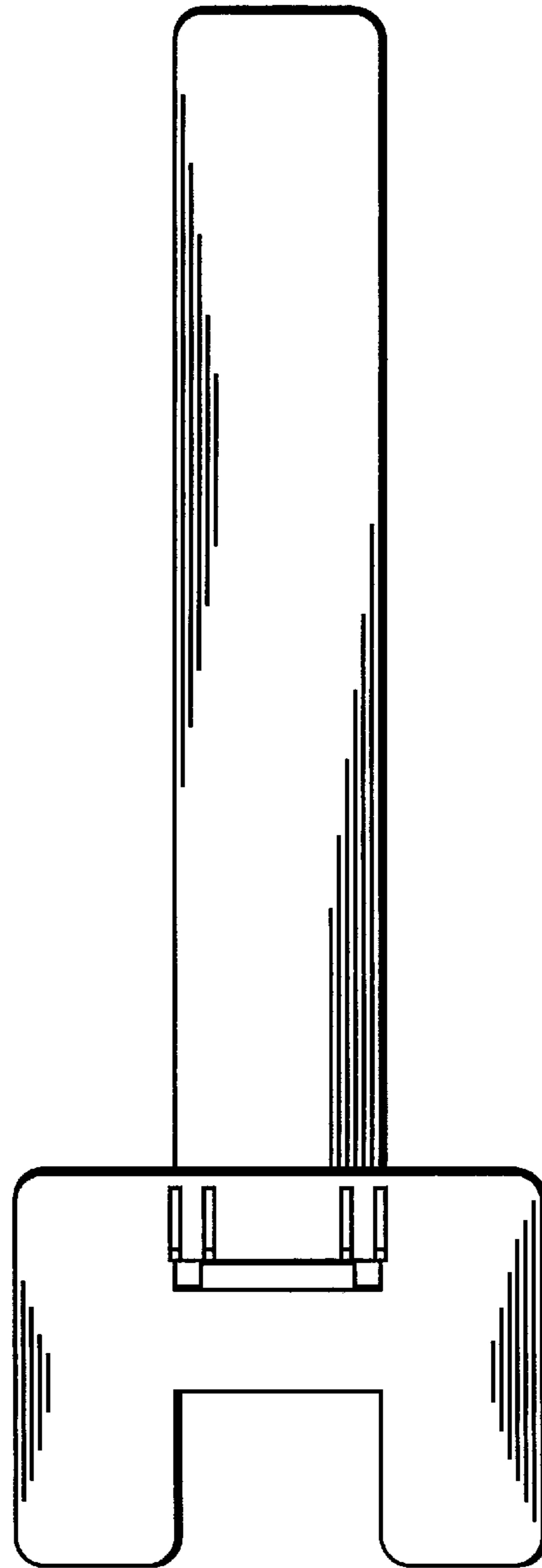


FIG. 3

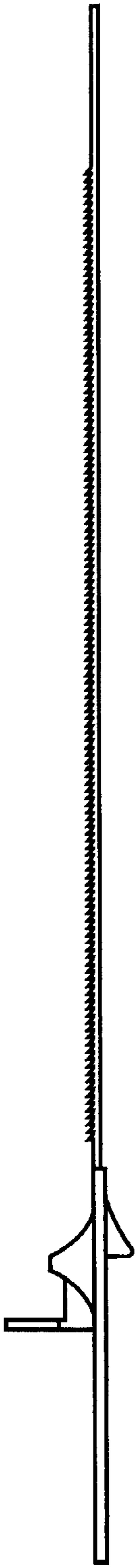


FIG. 4

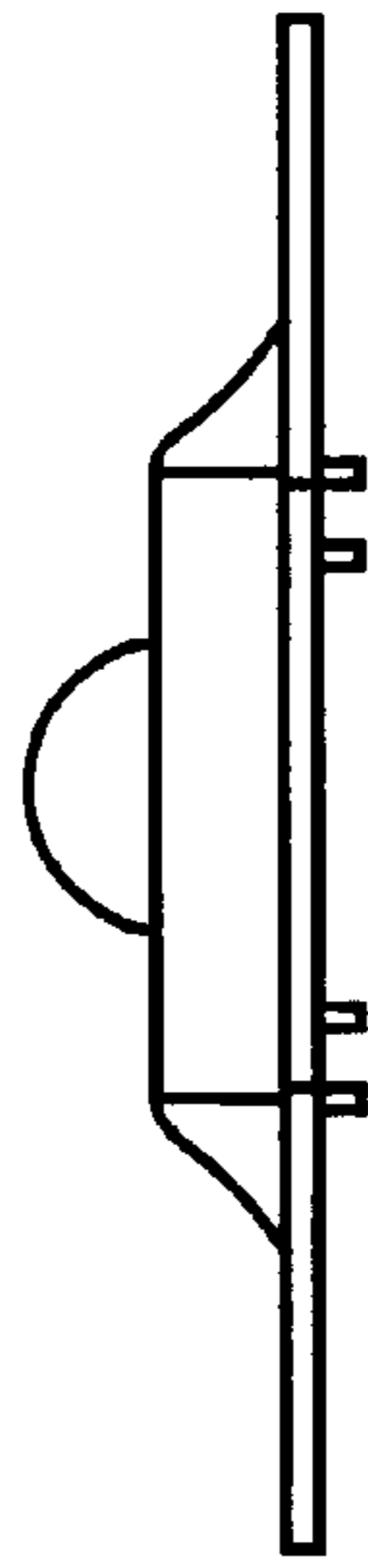


FIG. 6

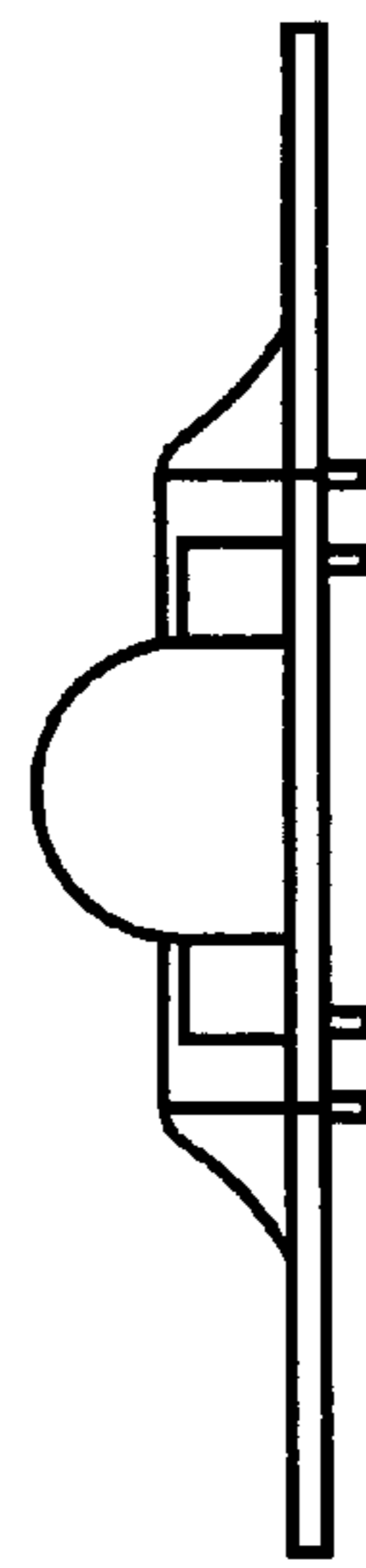


FIG. 5