



US00D479161S

(12) **United States Design Patent**
Halbert

(10) **Patent No.:** **US D479,161 S**

(45) **Date of Patent:** **** Sep. 2, 2003**

(54) **FLAG HOLDER FOR MOTORCYCLE
LICENSE PLATE FRAME**

(76) Inventor: **Wesley Halbert**, 15518 Via Bahia St.,
Hesperia, CA (US) 92345

(**) Term: **14 Years**

(21) Appl. No.: **29/156,409**

(22) Filed: **Mar. 1, 2002**

(51) **LOC (7) Cl.** **12-11**

(52) **U.S. Cl.** **D12/114**

(58) **Field of Search** D12/110, 114,
D12/193, 223; 280/288.4, 495, 500-505,
491.1; D11/182, 183, 166; 40/210; D8/373;
D20/13; 403/187, 188, 192; 248/534-541;
116/173

(56) **References Cited**

U.S. PATENT DOCUMENTS

D296,542 S * 7/1988 Binford D12/223
5,732,927 A * 3/1998 Purpura 248/539
5,815,976 A * 10/1998 Jernigan et al. 248/538 X

OTHER PUBLICATIONS

Custom Chrome 1999 catalog, universal flag holders on
page 3.8.*

Harley-Davidson ® 2000 Genuine Motor Accessories and
Genuine Motor Parts catalog, Tour-Pak ® and sissy bar flag
mounts on p. 504.*

* cited by examiner

Primary Examiner—Alan P. Douglas

Assistant Examiner—Linda Brooks

(74) *Attorney, Agent, or Firm*—Timothy Thut Tyson; Ted
Masters; Freilich, Hornbaker & Rosen

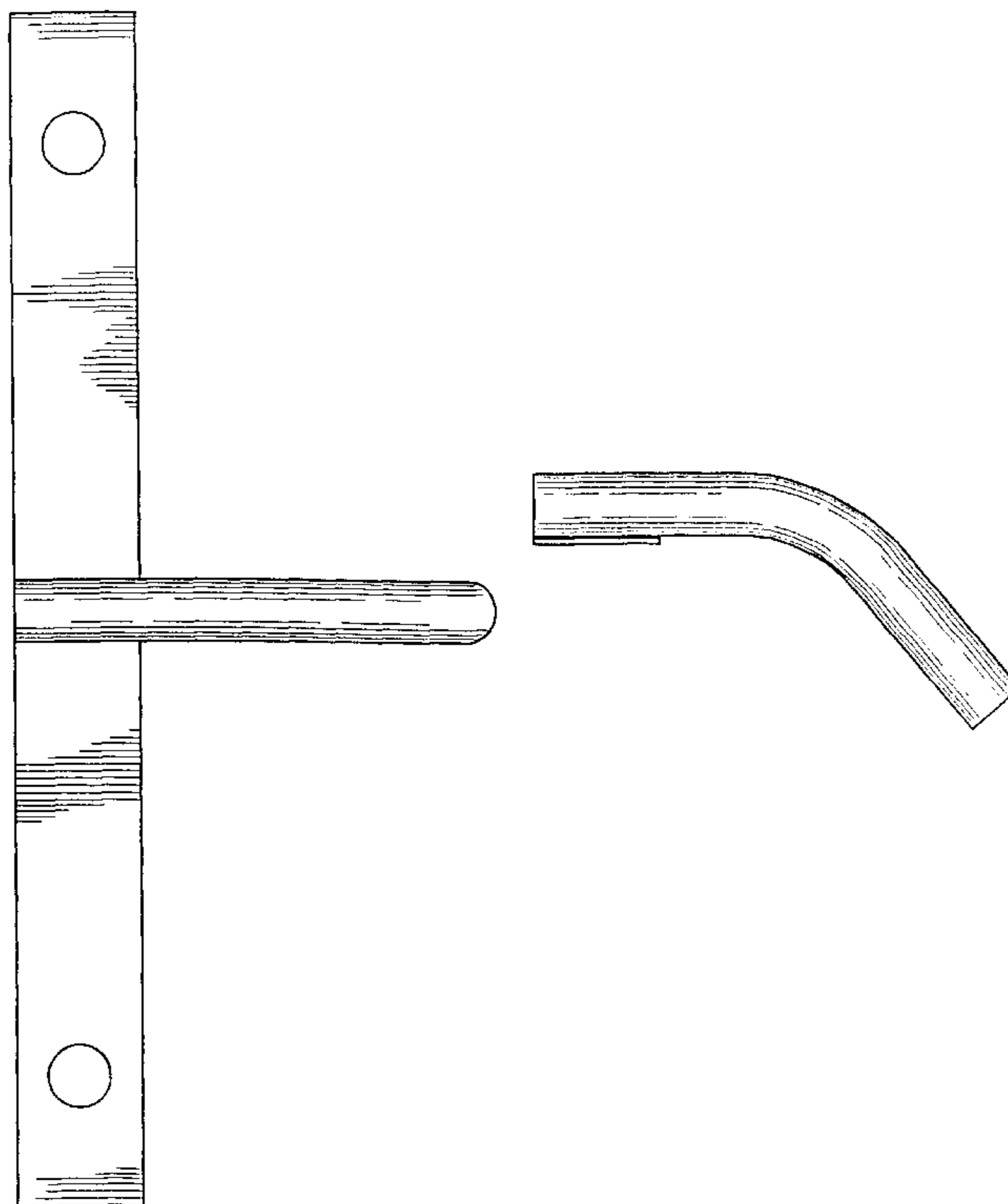
(57) **CLAIM**

The ornamental design for a flag holder for motorcycle
license plate frame, as shown.

DESCRIPTION

FIG. 1 is a front elevation view of a flag holder for
motorcycle license plate frame showing my new design;
FIG. 2 is a rear elevation view thereof;
FIG. 3 is a left side elevation view thereof;
FIG. 4 is a right side elevation view thereof;
FIG. 5 is a bottom plan view thereof;
FIG. 6 is a top plan view thereof;
FIG. 7 is a front elevation view of a second embodiment
thereof;
FIG. 8 is a rear elevation view of FIG. 7;
FIG. 9 is a bottom plan view of FIG. 7;
FIG. 10 is a top plan view of FIG. 7;
FIG. 11 is a right side view of FIG. 7;
FIG. 12 is a left side view of FIG. 7;
FIG. 13 is a front elevation view of a third embodiment
thereof;
FIG. 14 is a rear elevation view of FIG. 13;
FIG. 15 is a bottom plan view of FIG. 13;
FIG. 16 is a top plan view of FIG. 13;
FIG. 17 is a left side elevation view of FIG. 13; and,
FIG. 18 is a right side elevation view of FIG. 13.

1 Claim, 6 Drawing Sheets



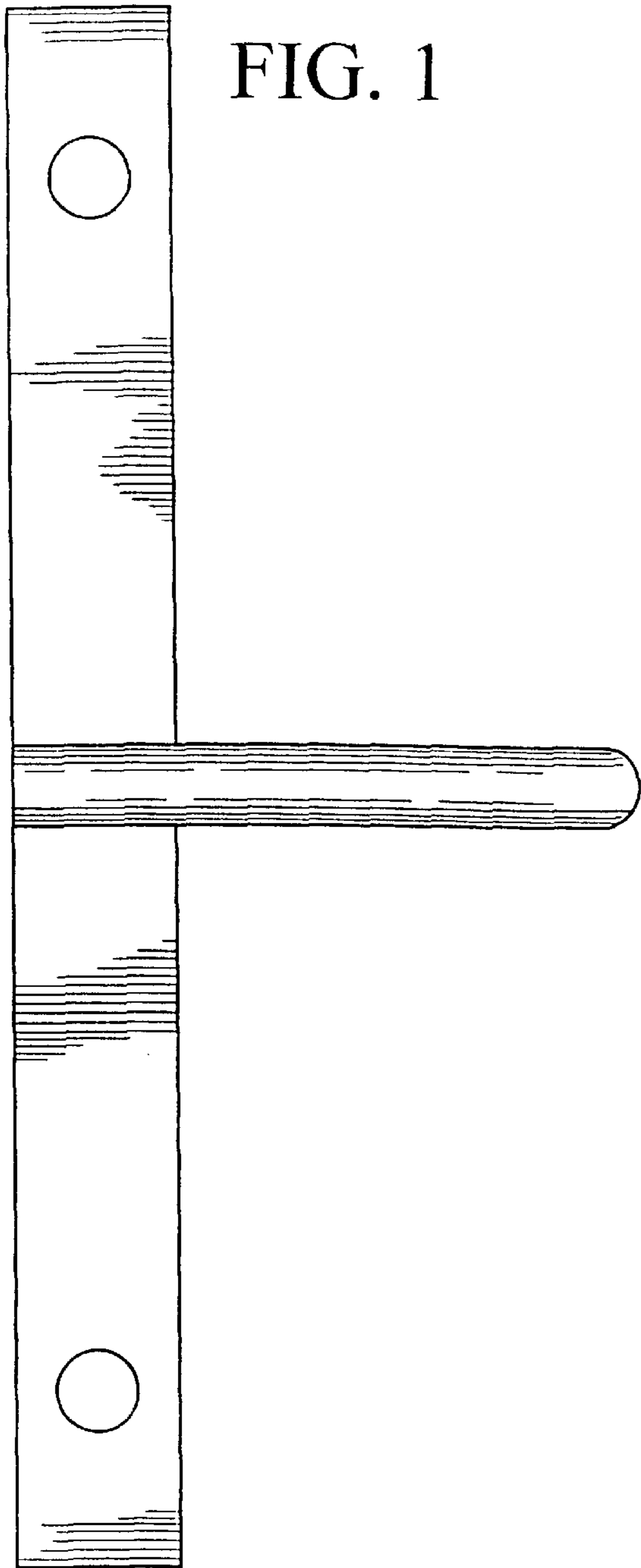


FIG. 1

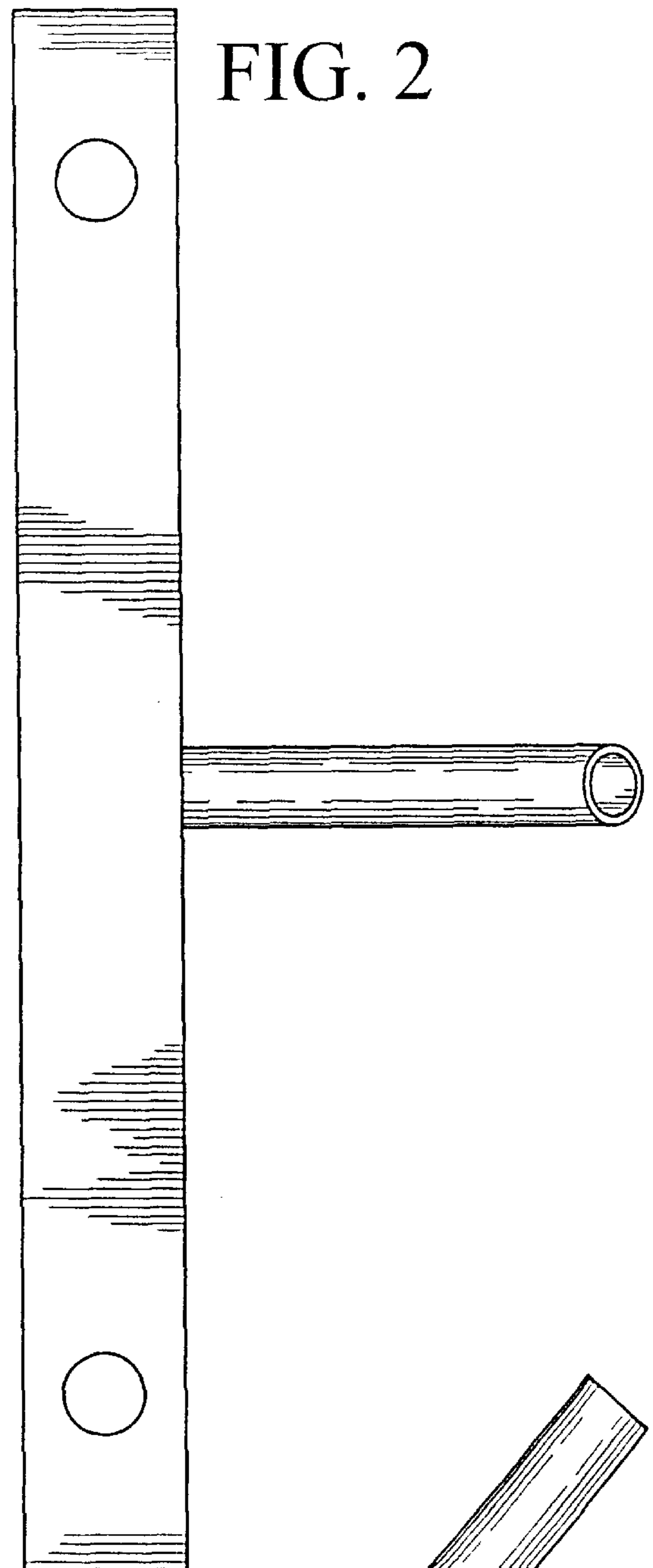


FIG. 2

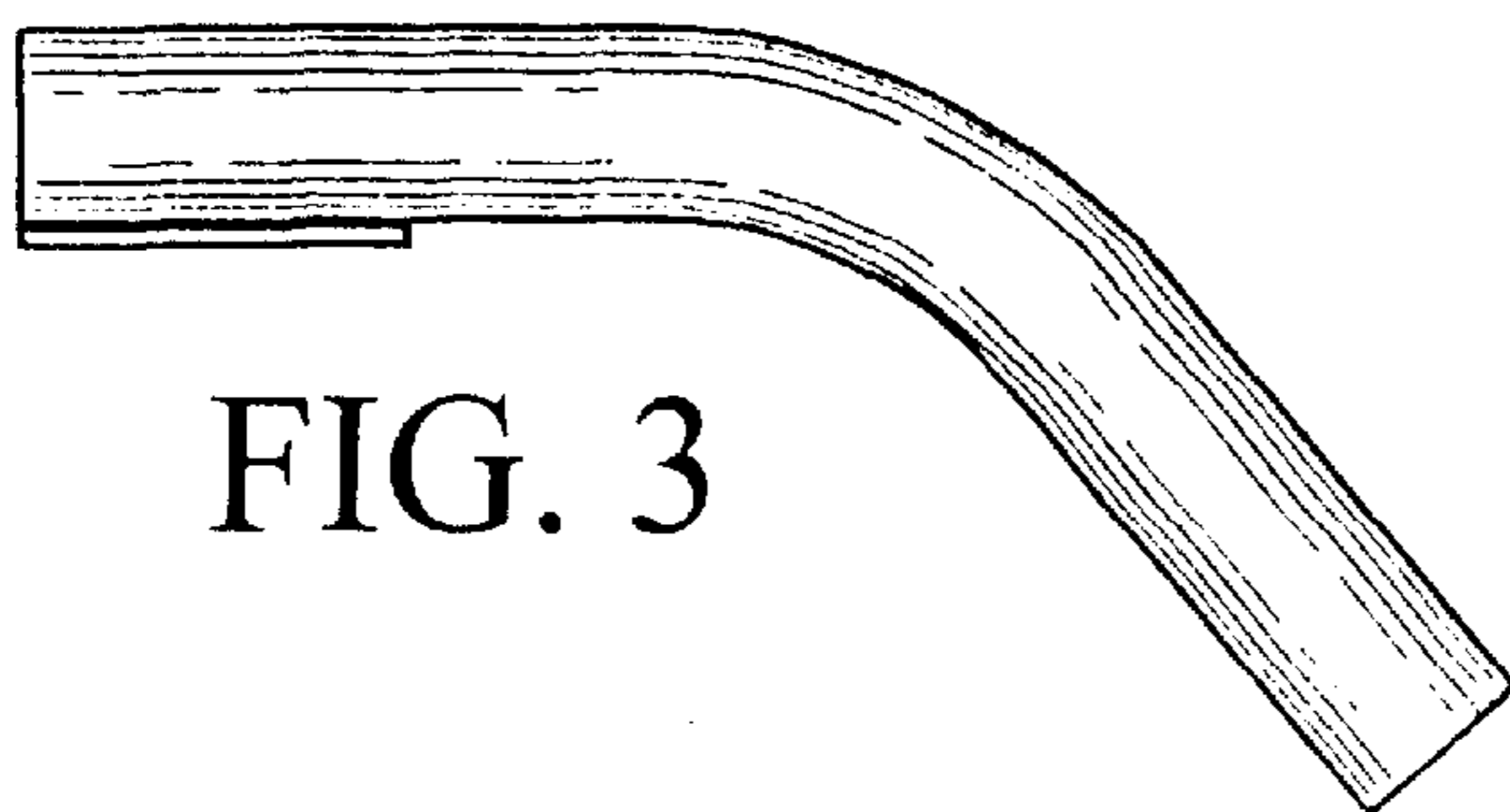


FIG. 3

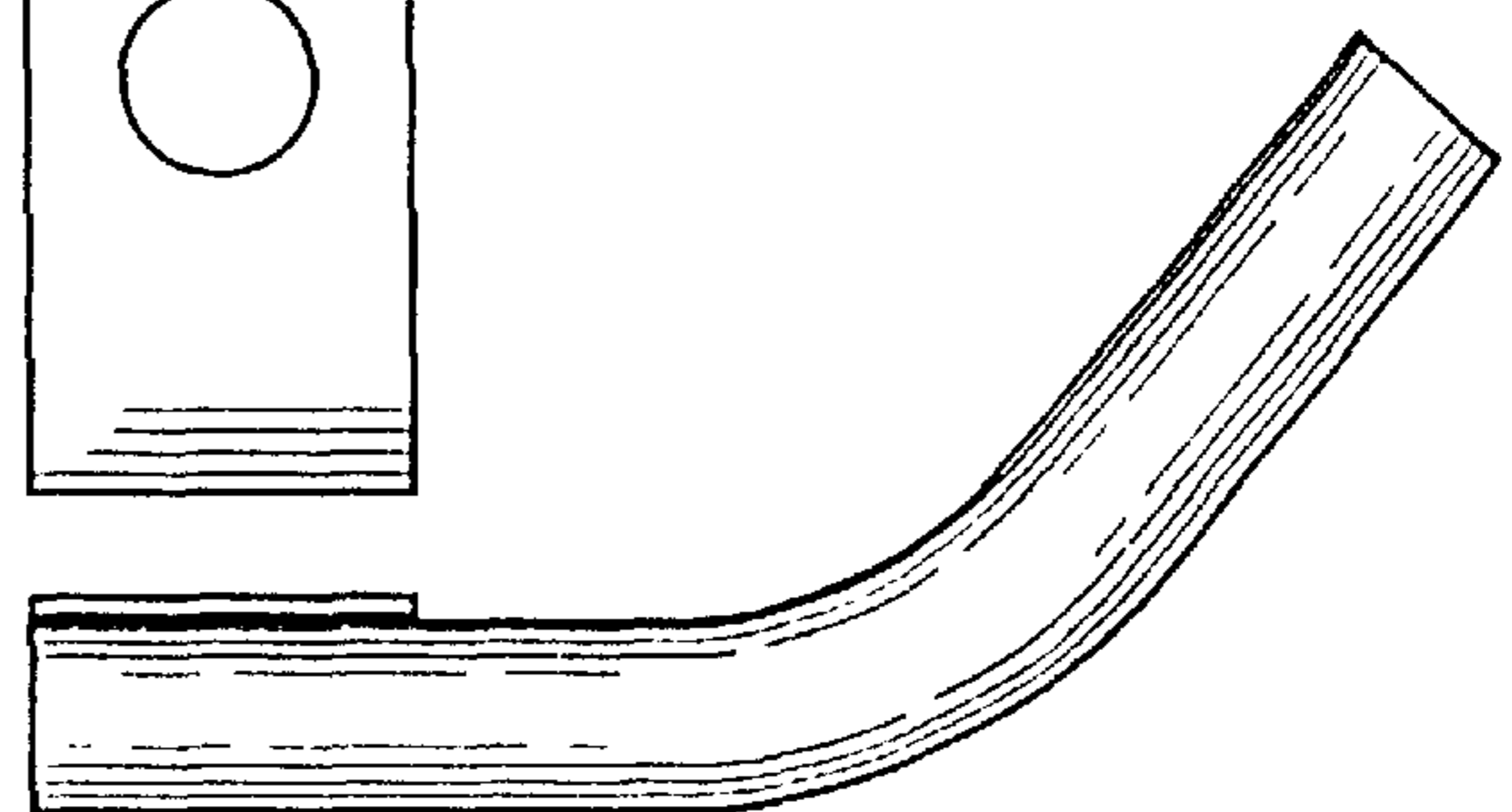


FIG. 4

FIG. 5

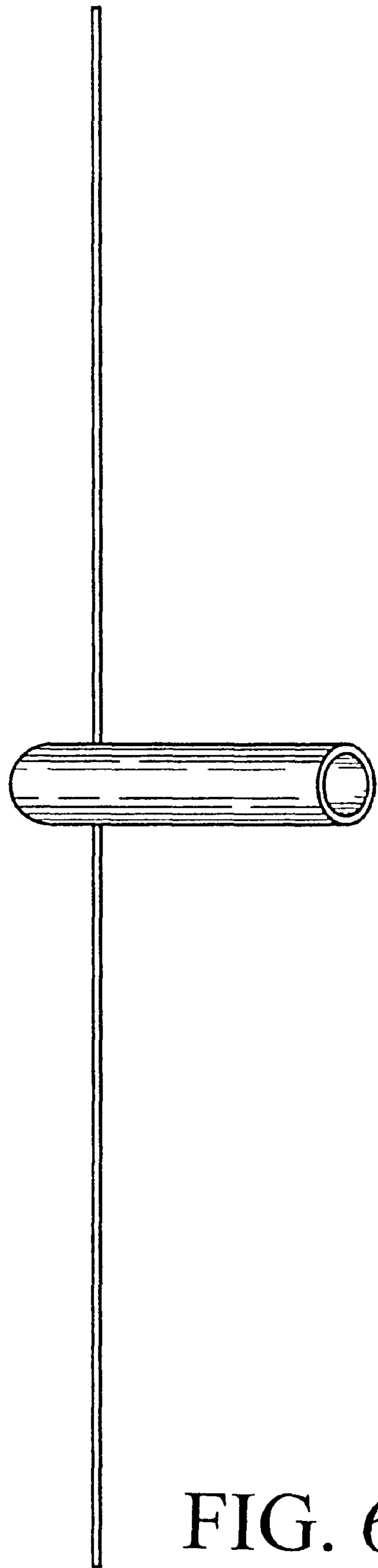
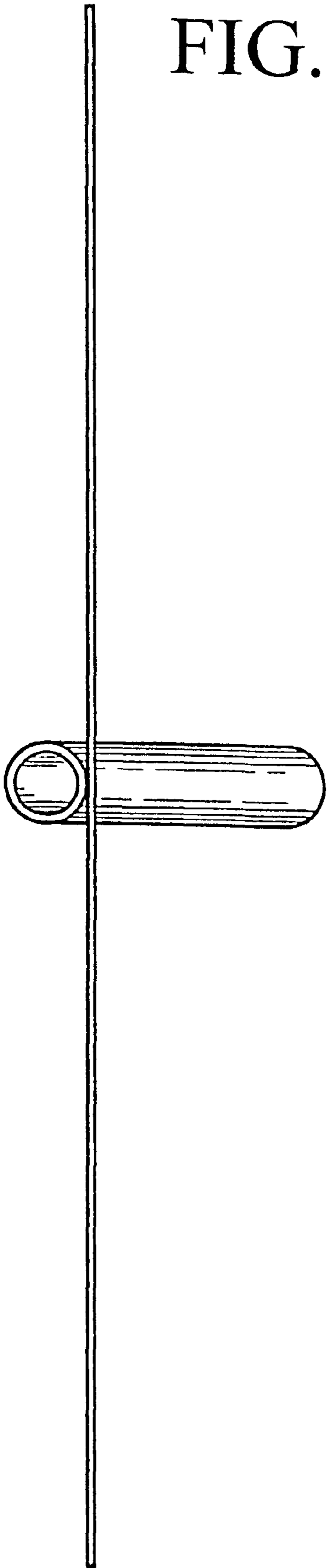


FIG. 6

FIG. 7

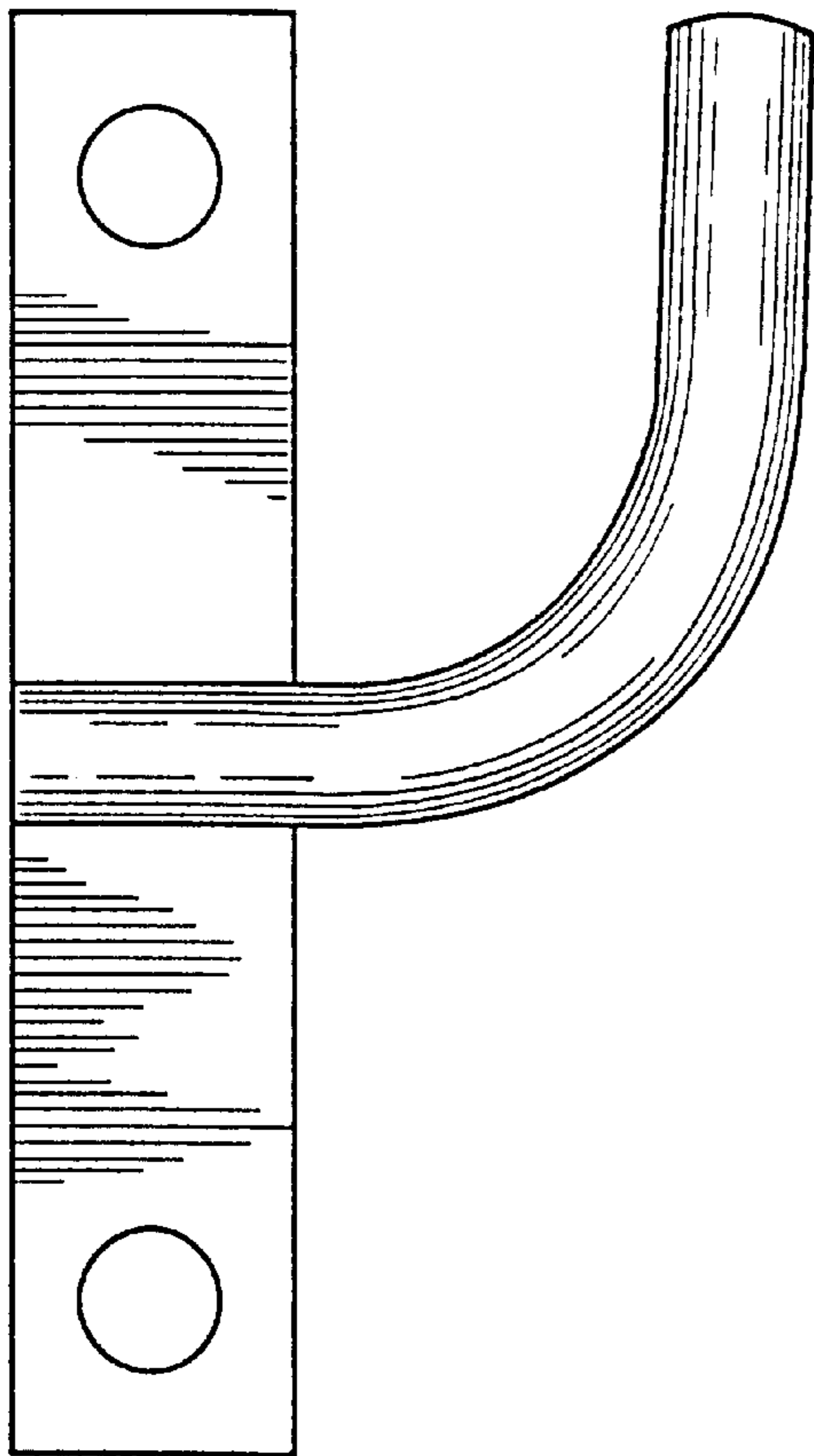


FIG. 9

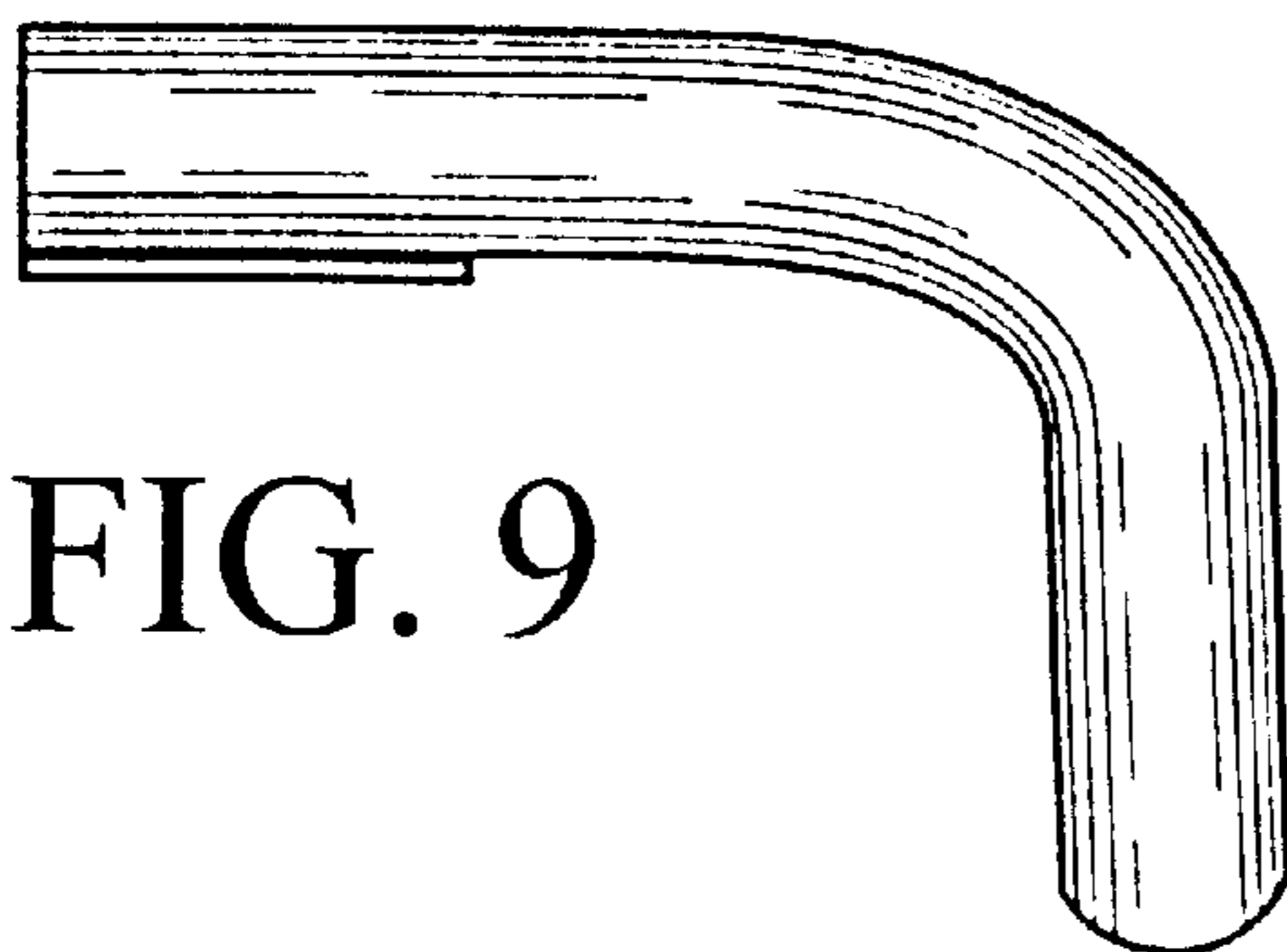


FIG. 10

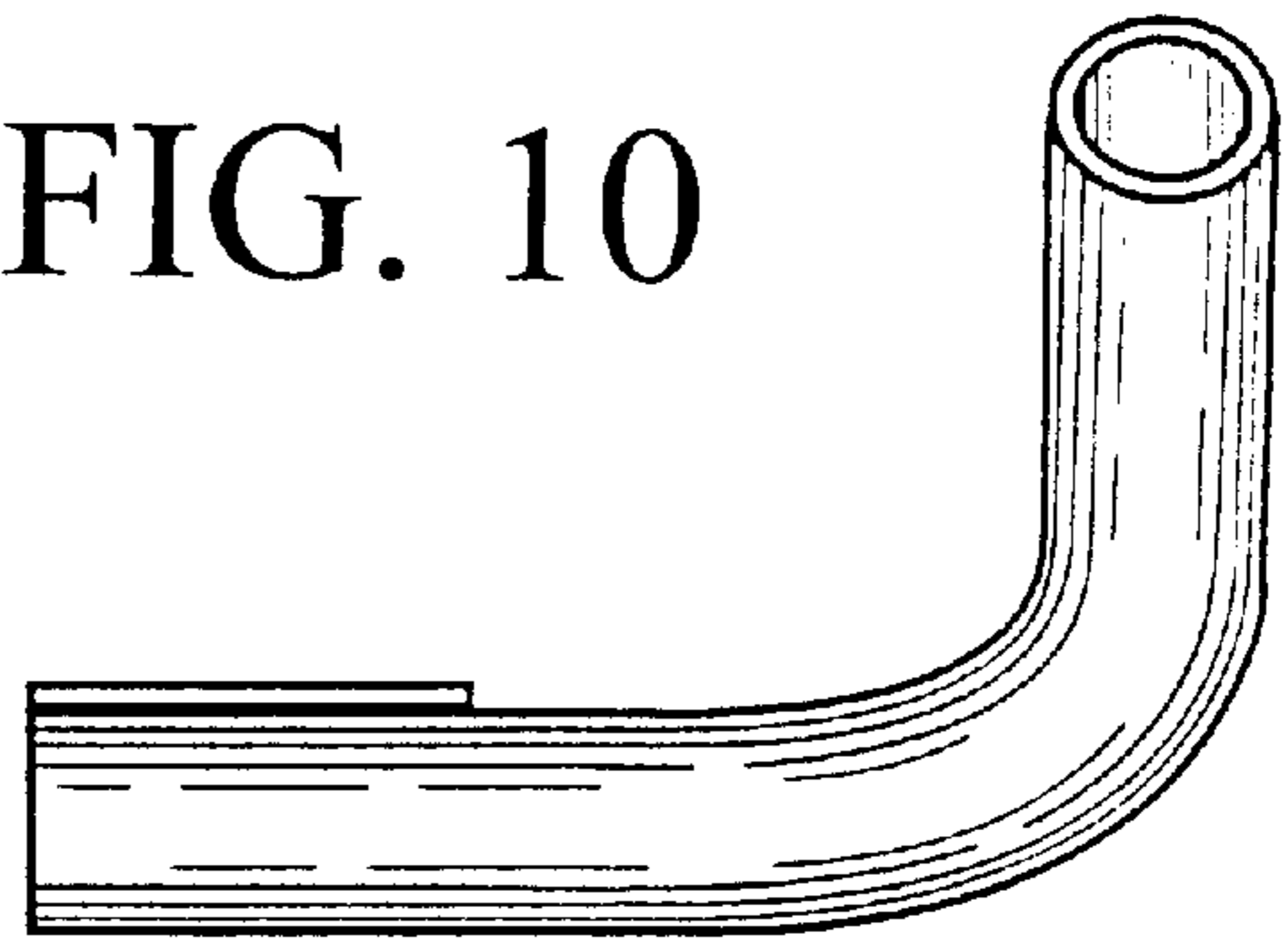
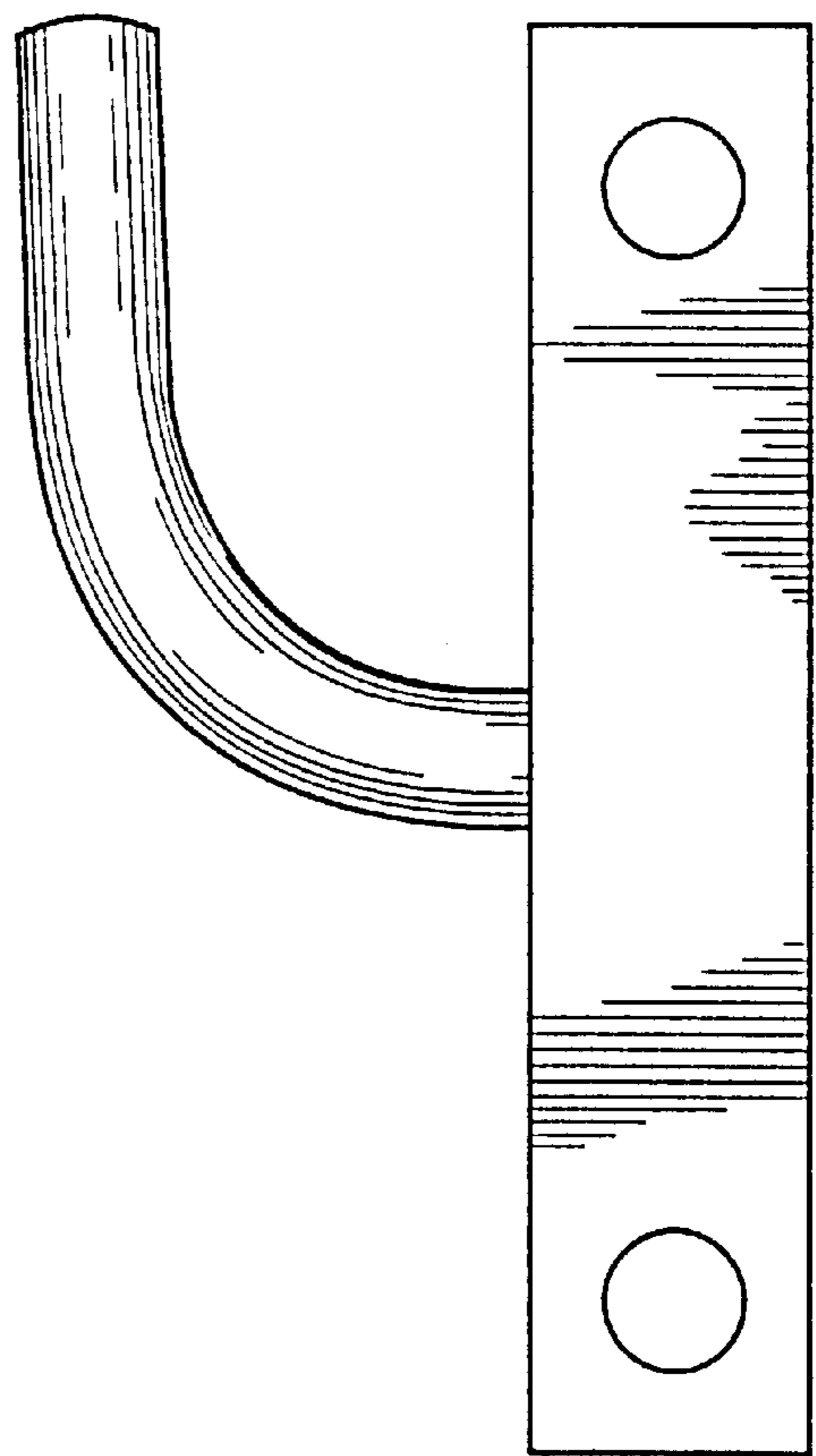


FIG. 8



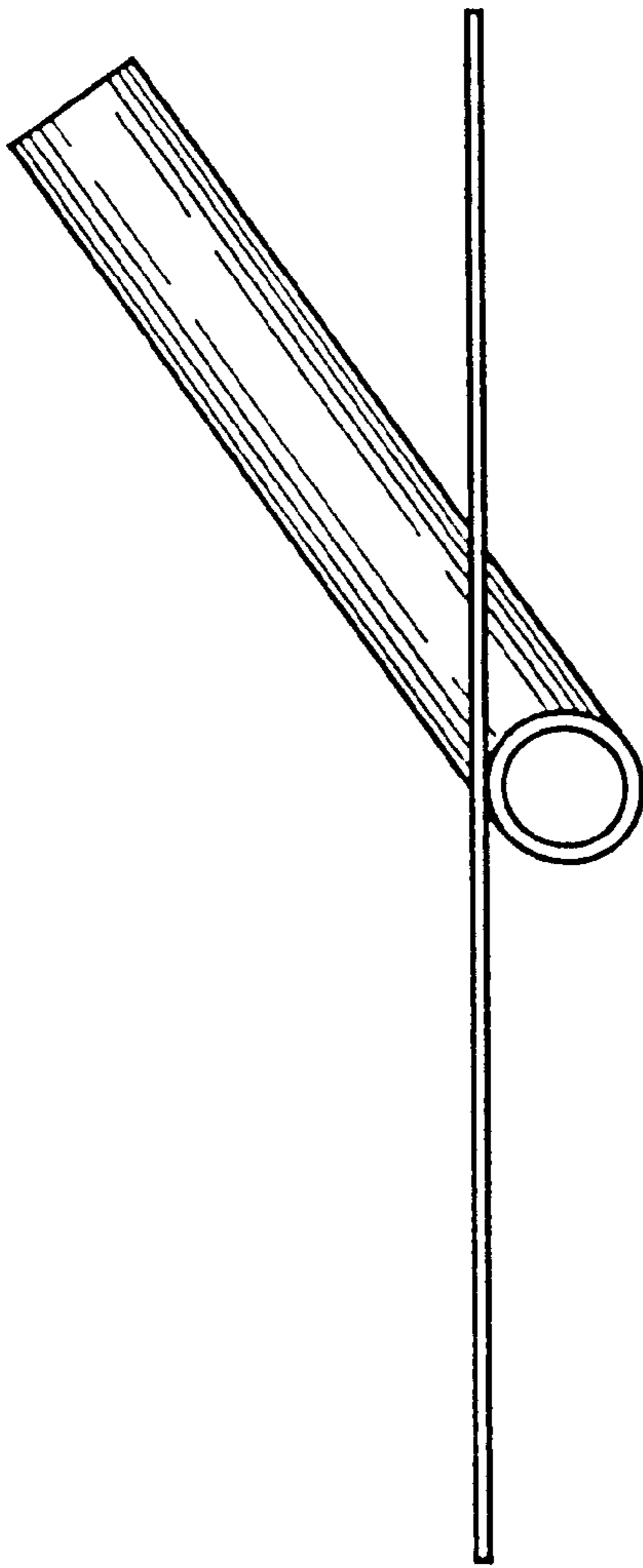


FIG. 11

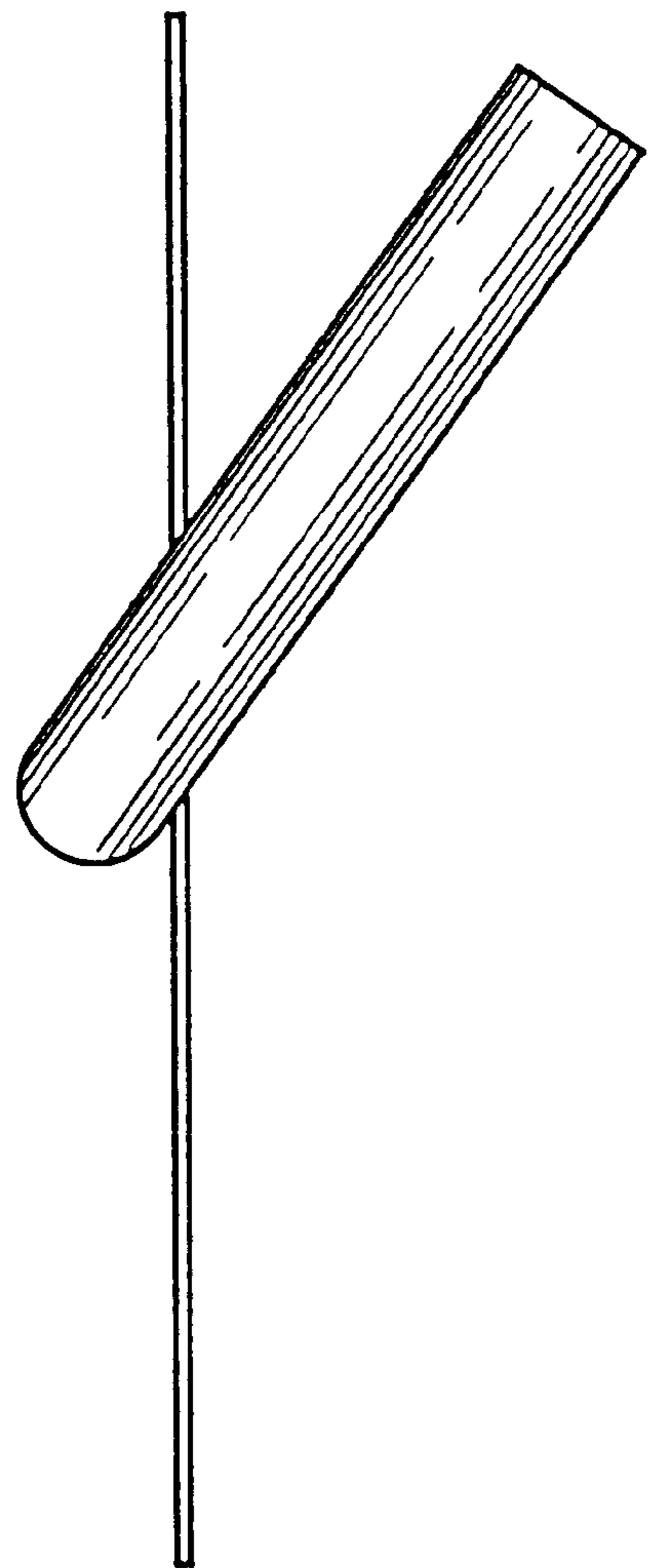


FIG. 12

FIG. 14

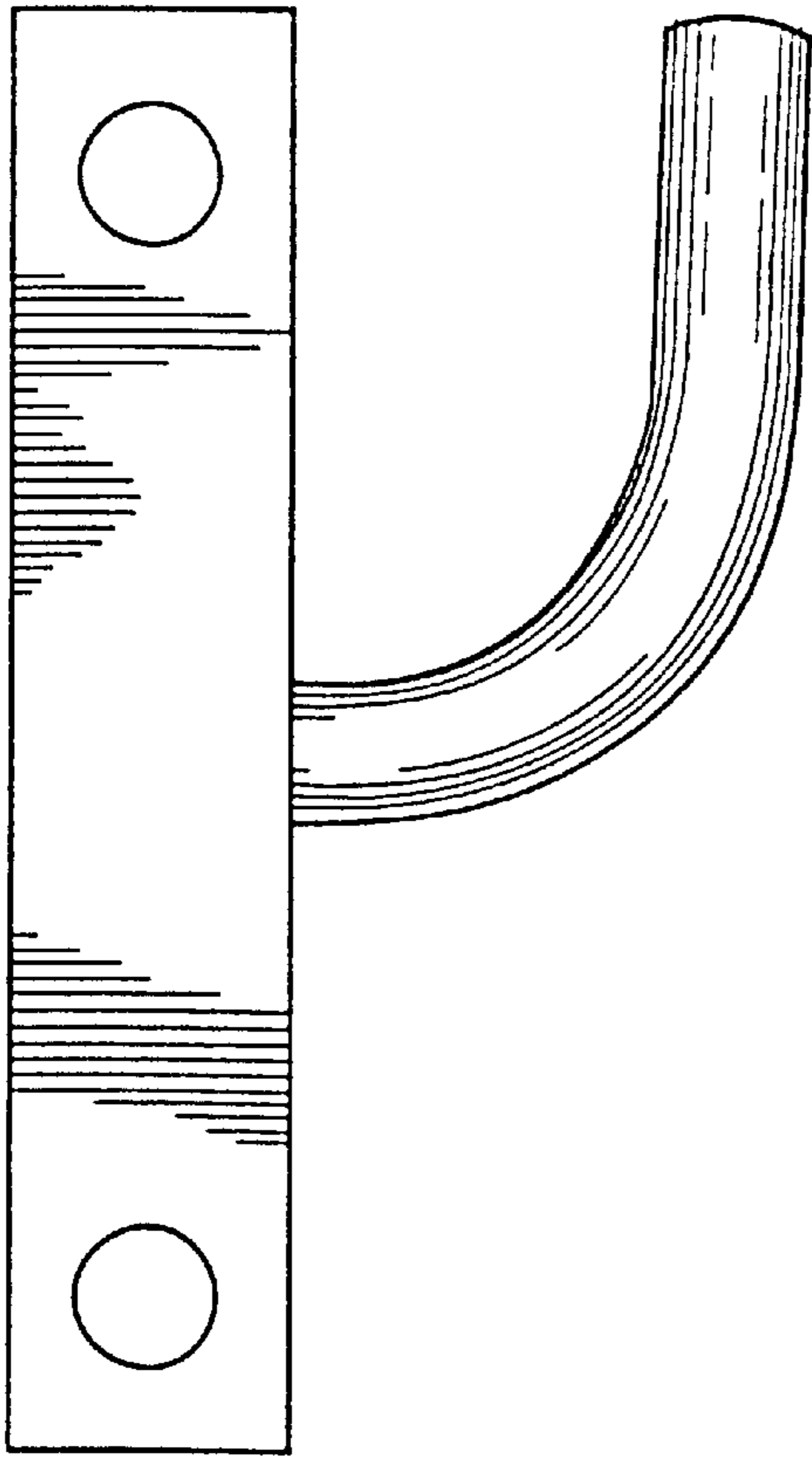


FIG. 15

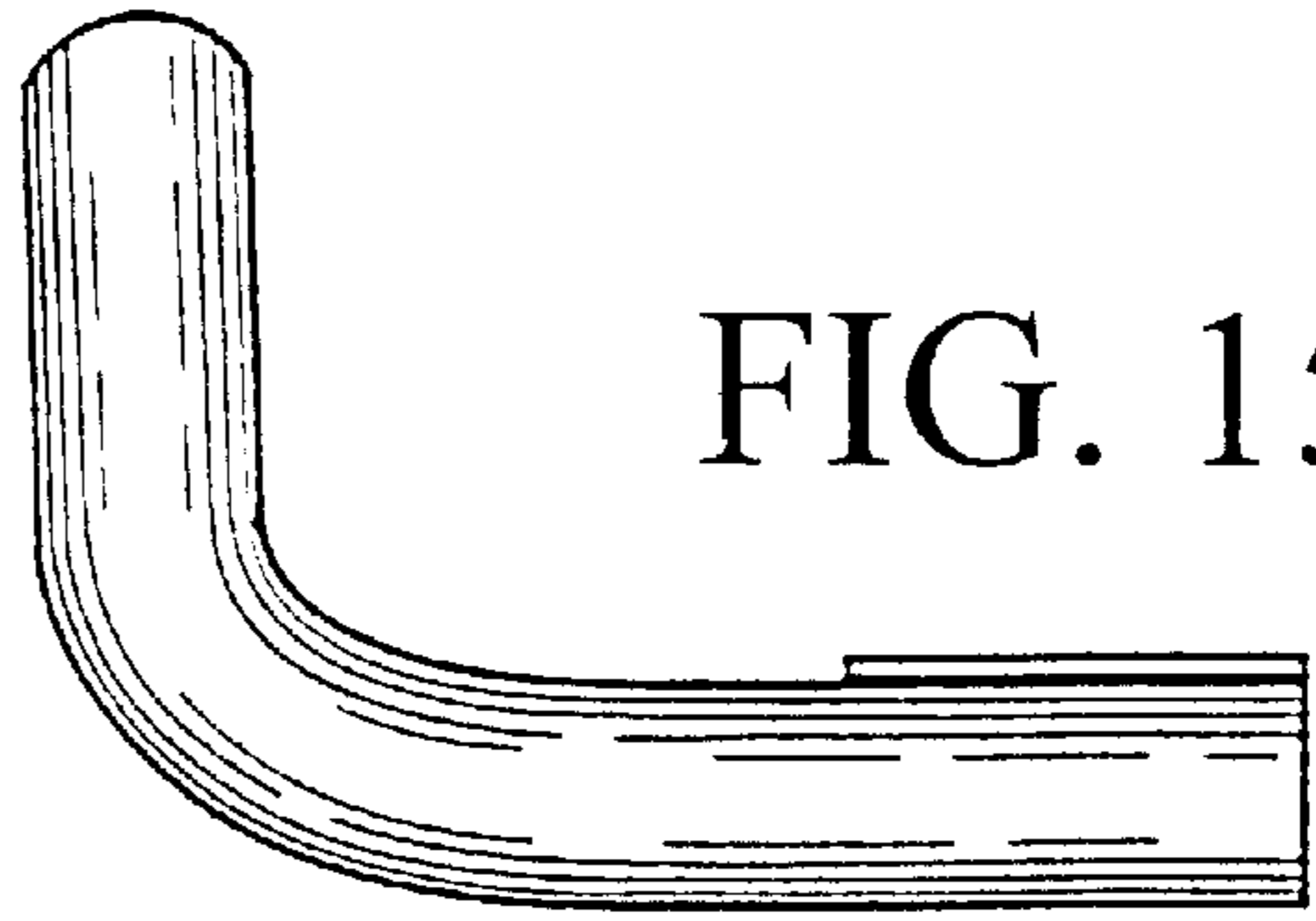


FIG. 13

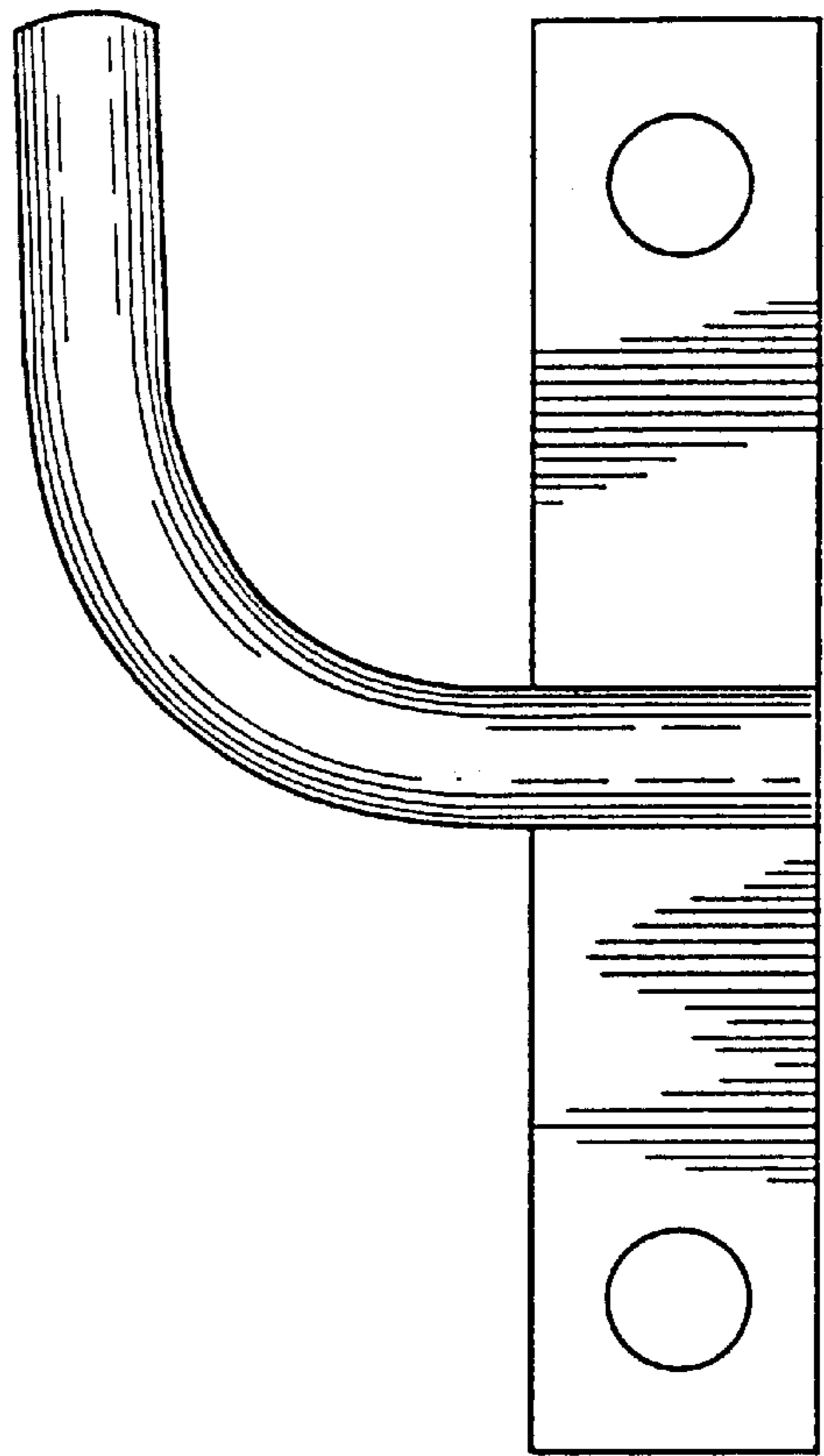
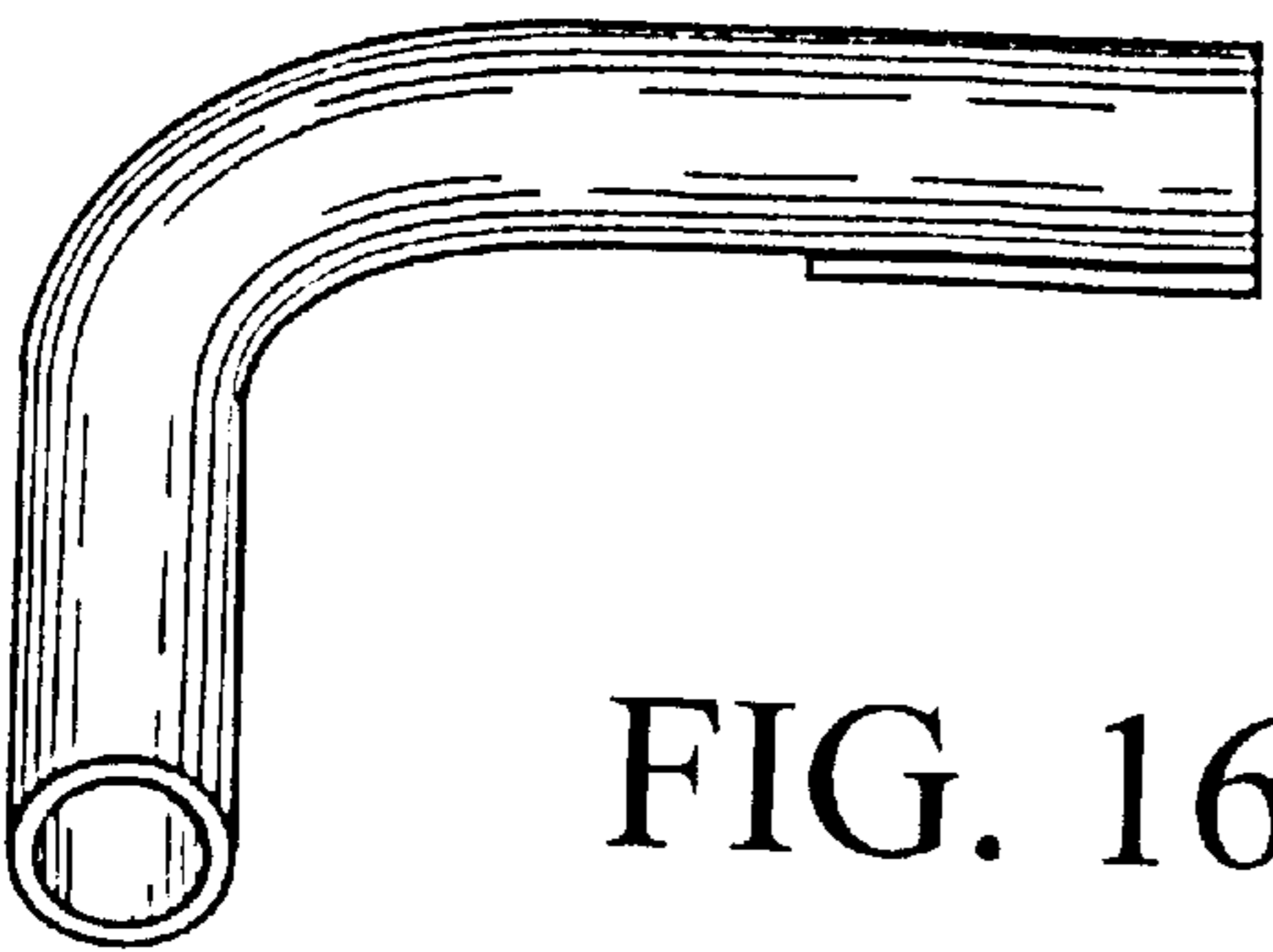


FIG. 16



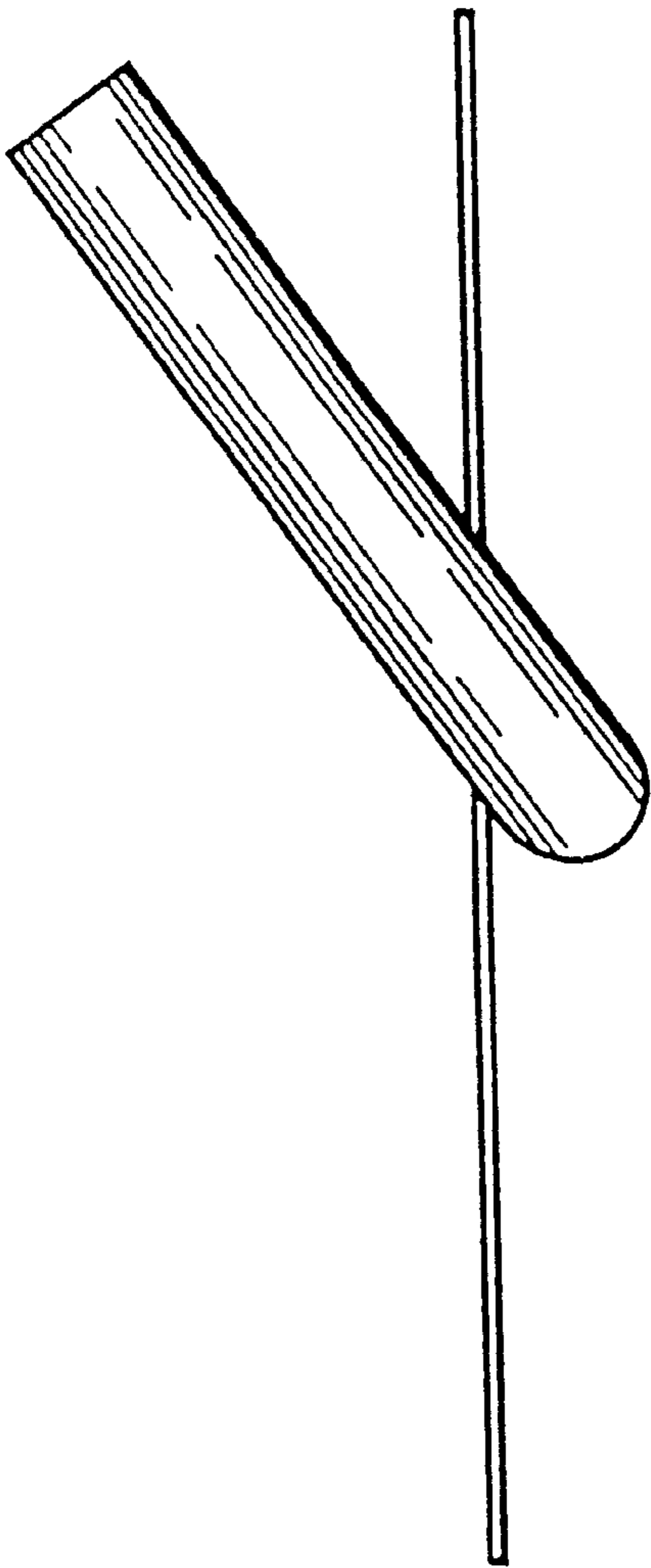


FIG. 18

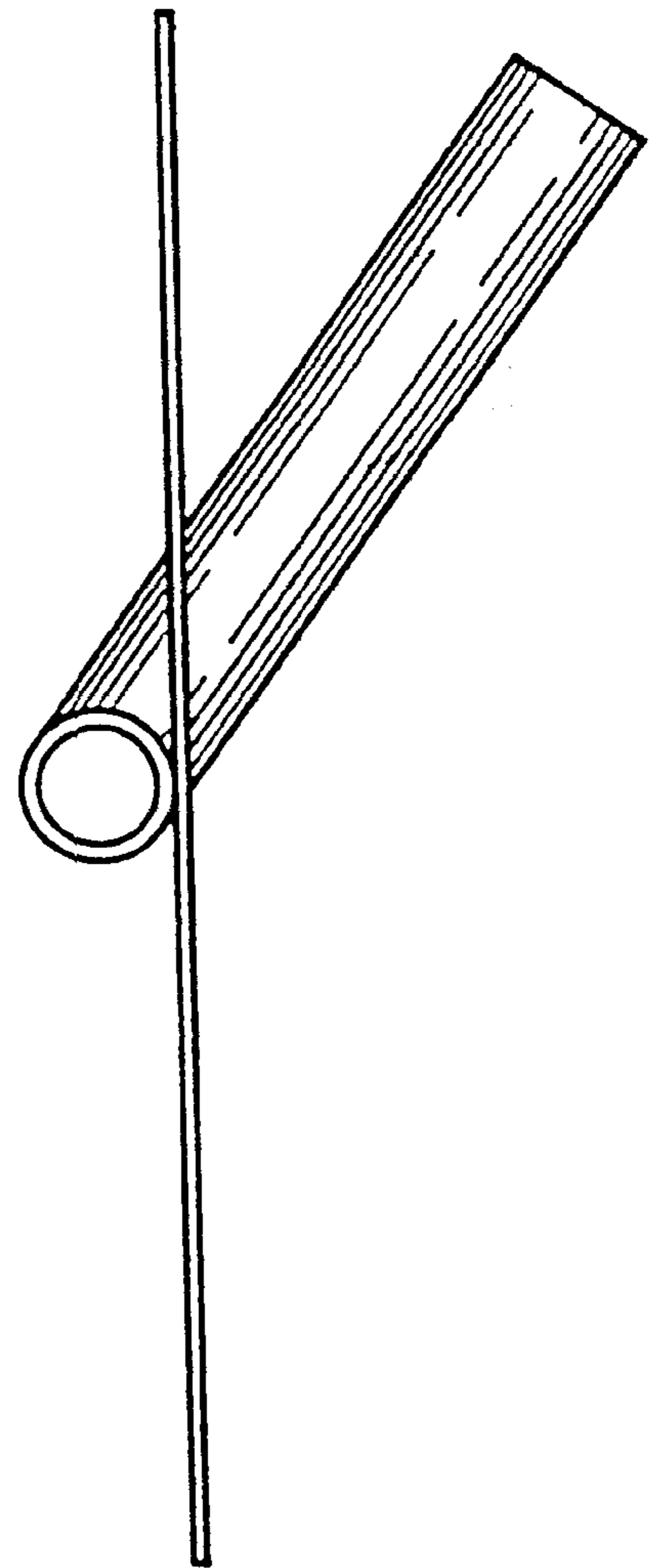


FIG. 17