



US00D479160S

(12) **United States Design Patent**
Hyndman et al.

(10) **Patent No.:** **US D479,160 S**

(45) **Date of Patent:** **** Sep. 2, 2003**

(54) **TRICYCLE BODY**

(75) Inventors: **Lance Hyndman**, St. Albert (CA);
Jared Jensen, Clyde (CA); **John Lehman**,
Westlock (CA); **Darlene Pysyk**, Westlock (CA);
Jason Rosenau, Westlock (CA); **Edwin Sterling**,
Westlock (CA); **Larry Strilchuk**, Clyde (CA);
Clayton Strilchuk, Clyde (CA)

(73) Assignee: **Lehman Trikes, Inc.**, Westlock (CA)

(**) Term: **14 Years**

(21) Appl. No.: **29/156,588**

(22) Filed: **Feb. 28, 2002**

(30) **Foreign Application Priority Data**

Feb. 25, 2002 (CA) 98757

(51) **LOC (7) Cl.** **12-11**

(52) **U.S. Cl.** **D12/110**

(58) **Field of Search** D12/85, 107, 110,
D12/112, 182; 180/210, 215, 217; 296/78.1,
192, 195-198

(56) **References Cited**

U.S. PATENT DOCUMENTS

D233,031 S * 10/1974 Roth D12/85

D234,499 S * 3/1975 Altepeter D12/85

* cited by examiner

Primary Examiner—Alan P. Douglas

Assistant Examiner—Linda Brooks

(74) *Attorney, Agent, or Firm*—Davis & Bujold, P.L.L.C.

(57) **CLAIM**

The ornamental design for a tricycle body, as shown and described.

DESCRIPTION

FIG. 1 is a perspective view of the tricycle body;

FIG. 2 is a top plan view of the tricycle body;

FIG. 3 is a front elevation view of the tricycle body;

FIG. 4 is a left side elevation view of the tricycle body;

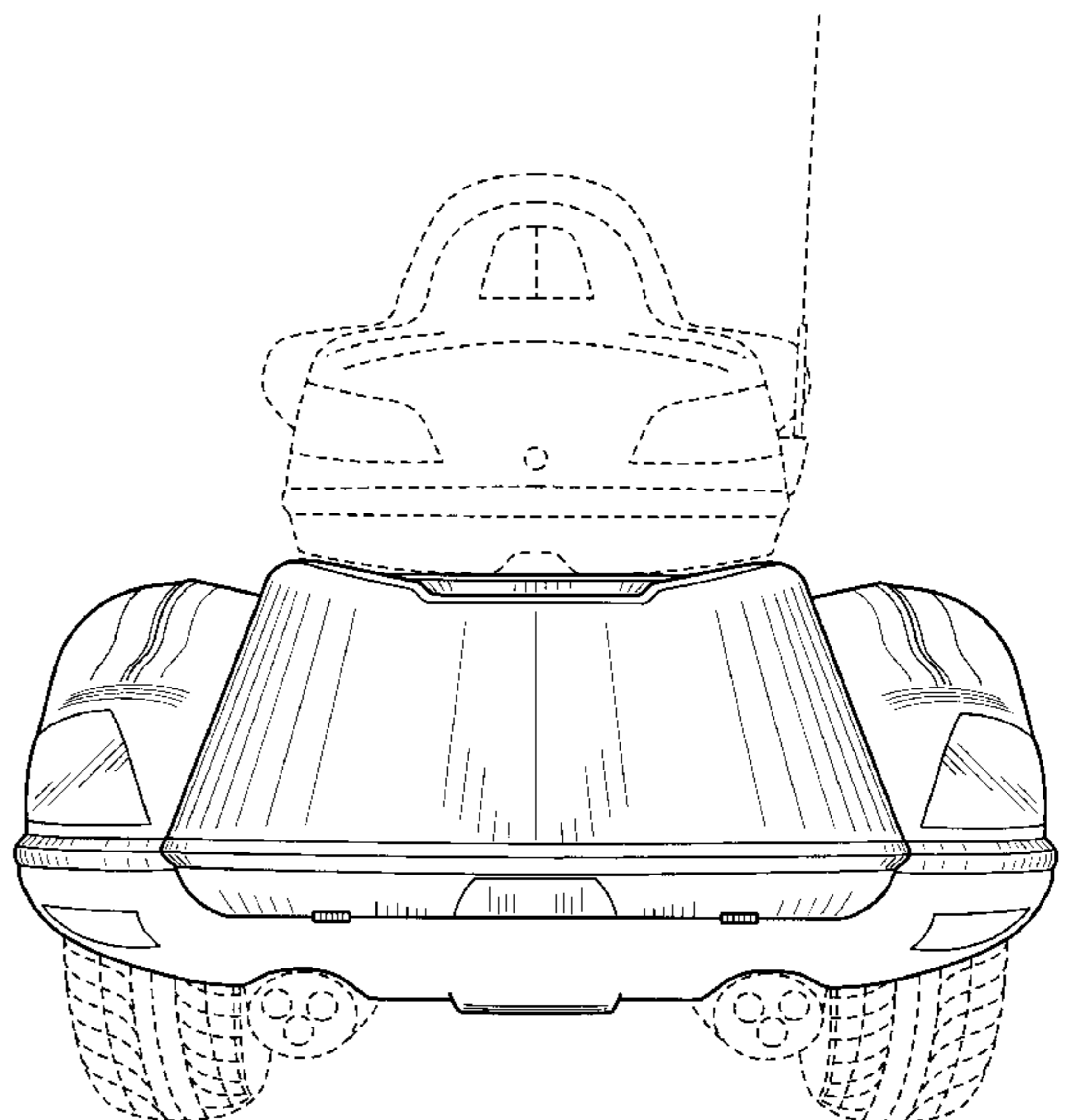
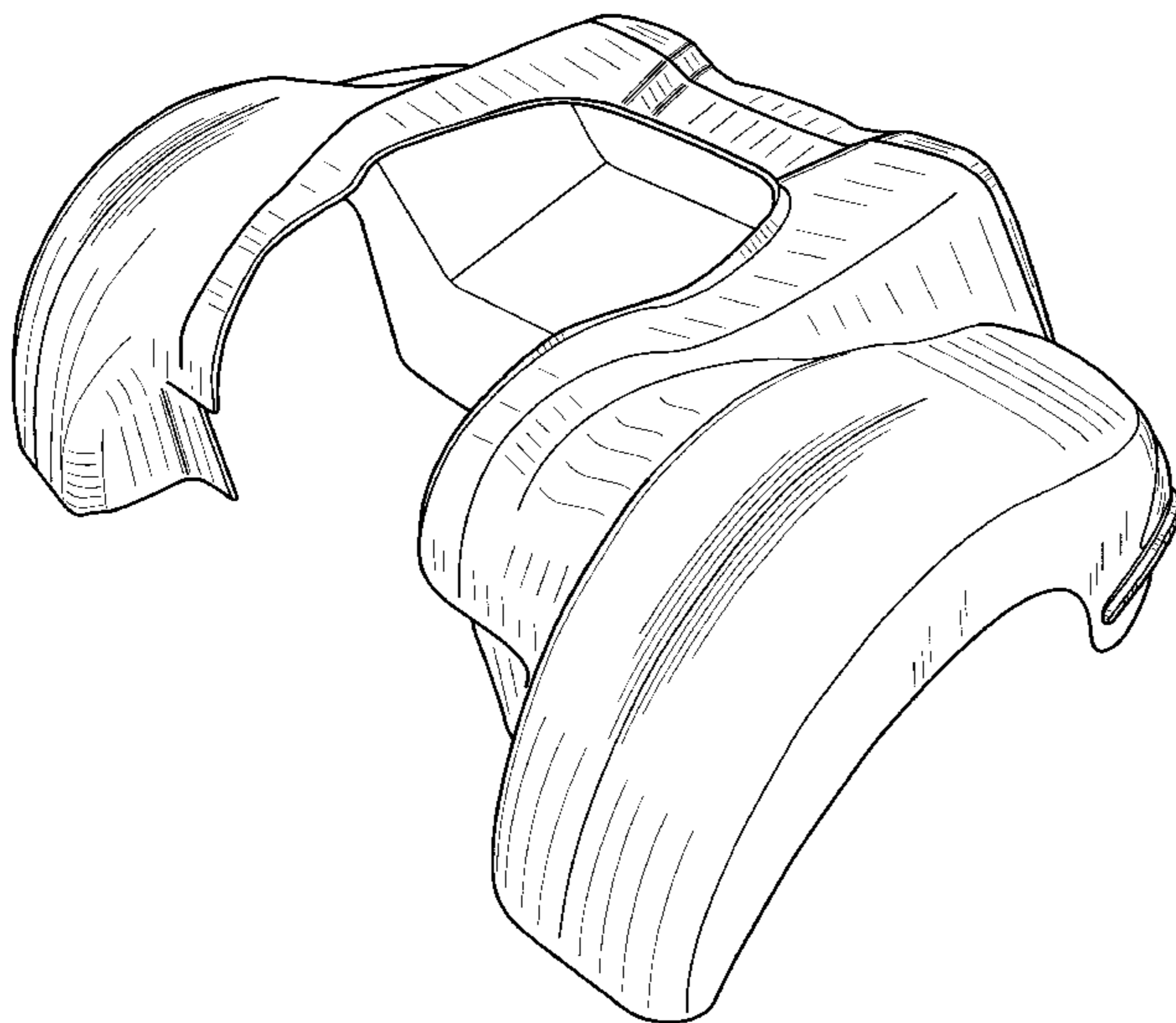
FIG. 5 is a right side elevation view of the tricycle body;

FIG. 6 is a top plan view of the tricycle body; and,

FIG. 7 is a rear elevation view of the tricycle body.

The broken lines showing the remainder of a tricycle form no part of the claimed design.

1 Claim, 7 Drawing Sheets



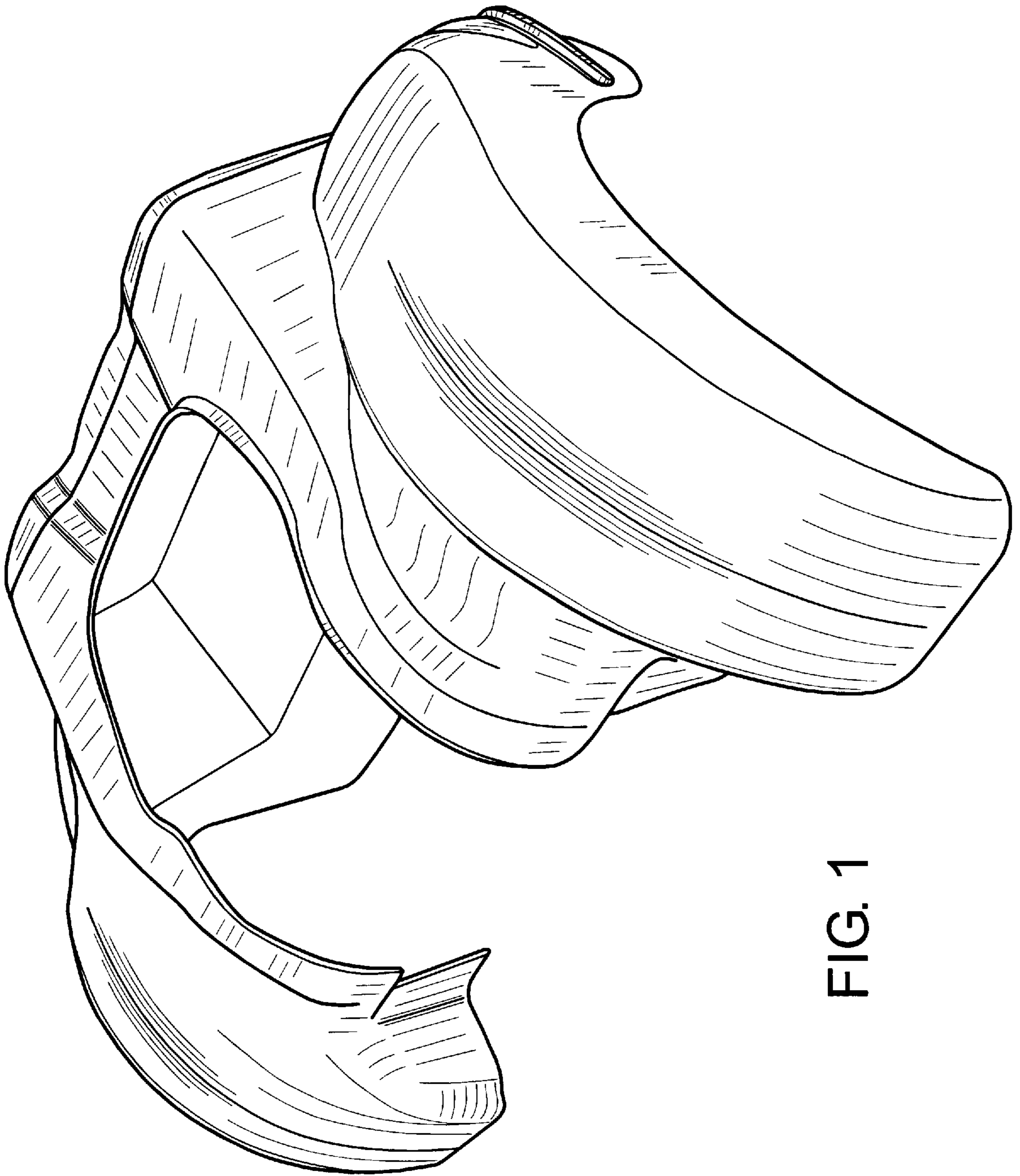


FIG. 1

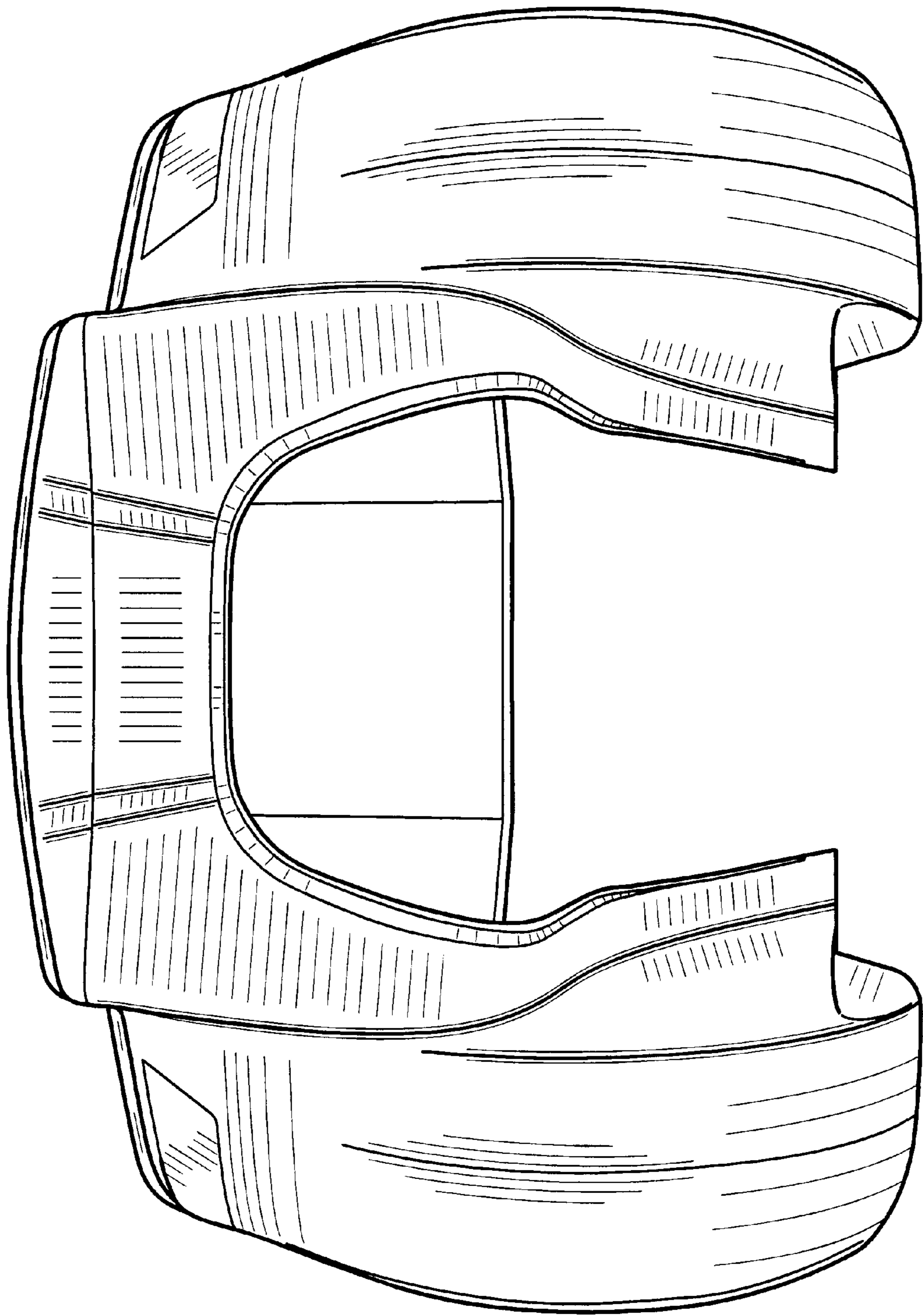


FIG. 2

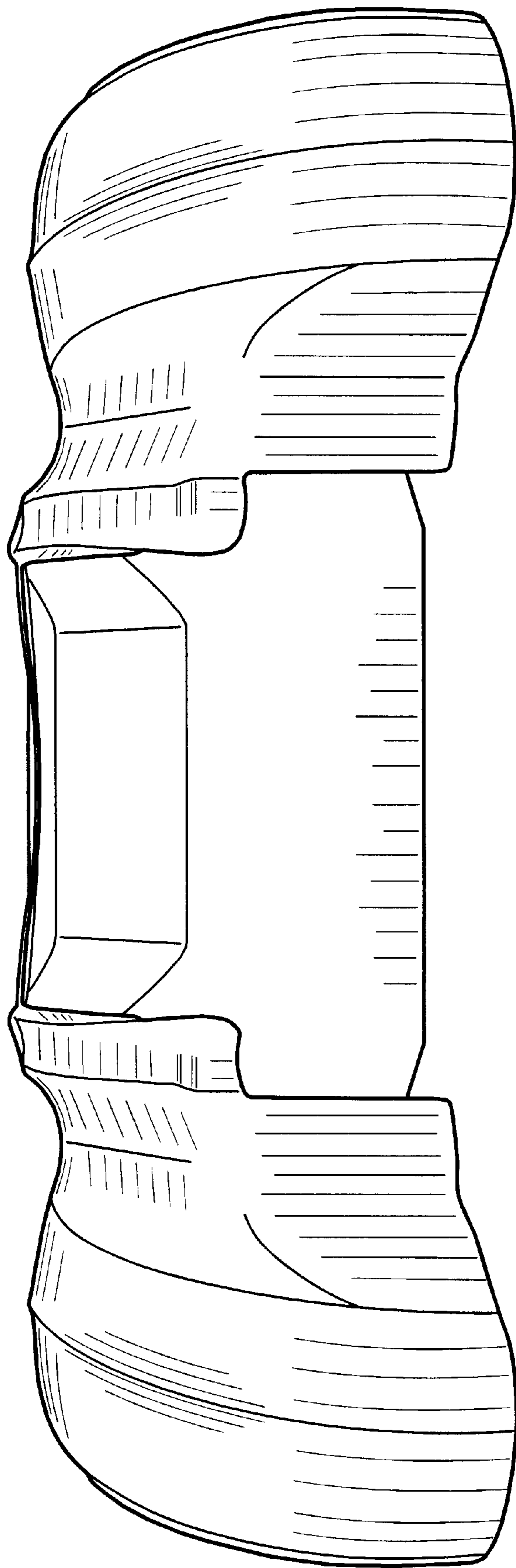


FIG. 3

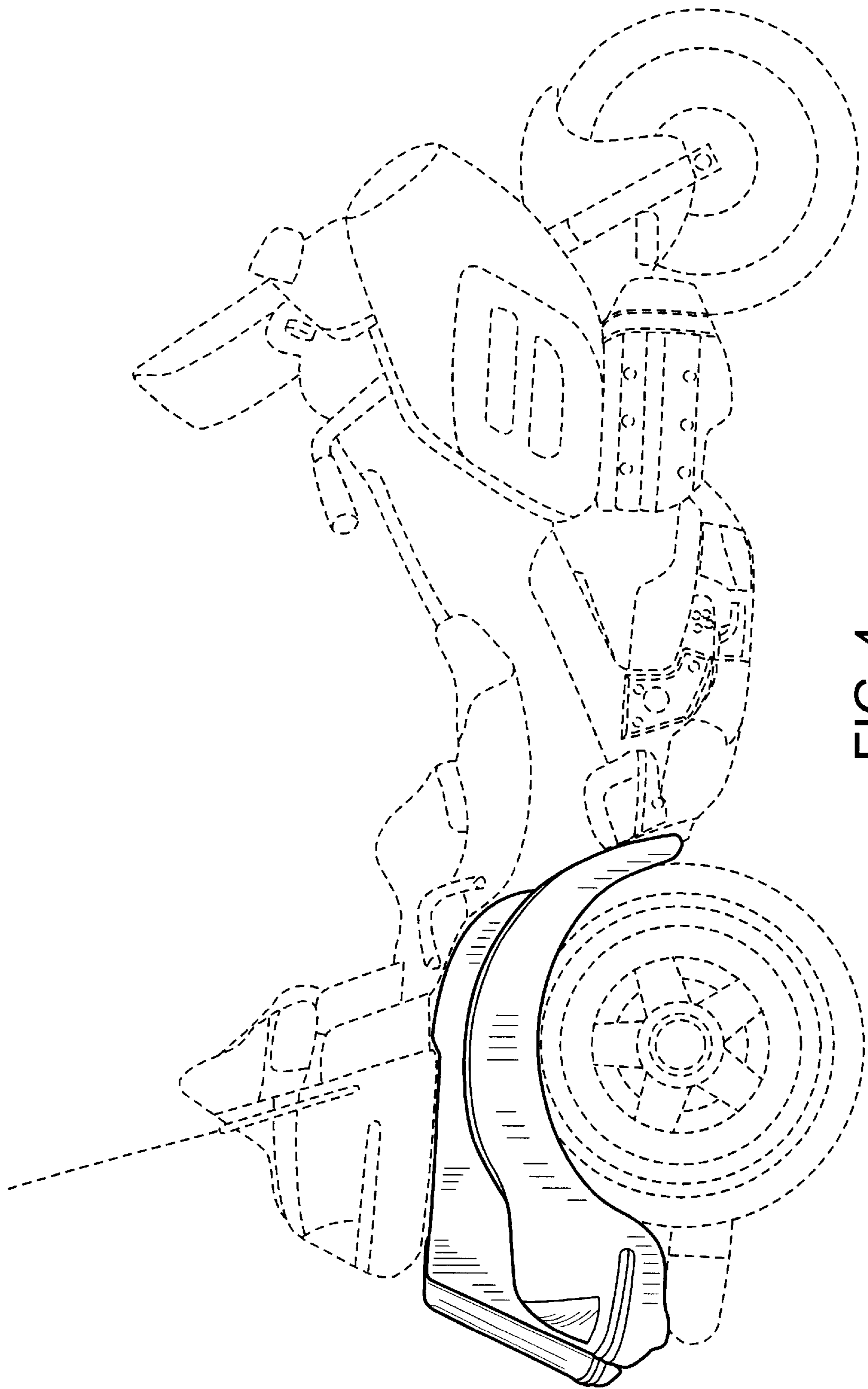


FIG. 4

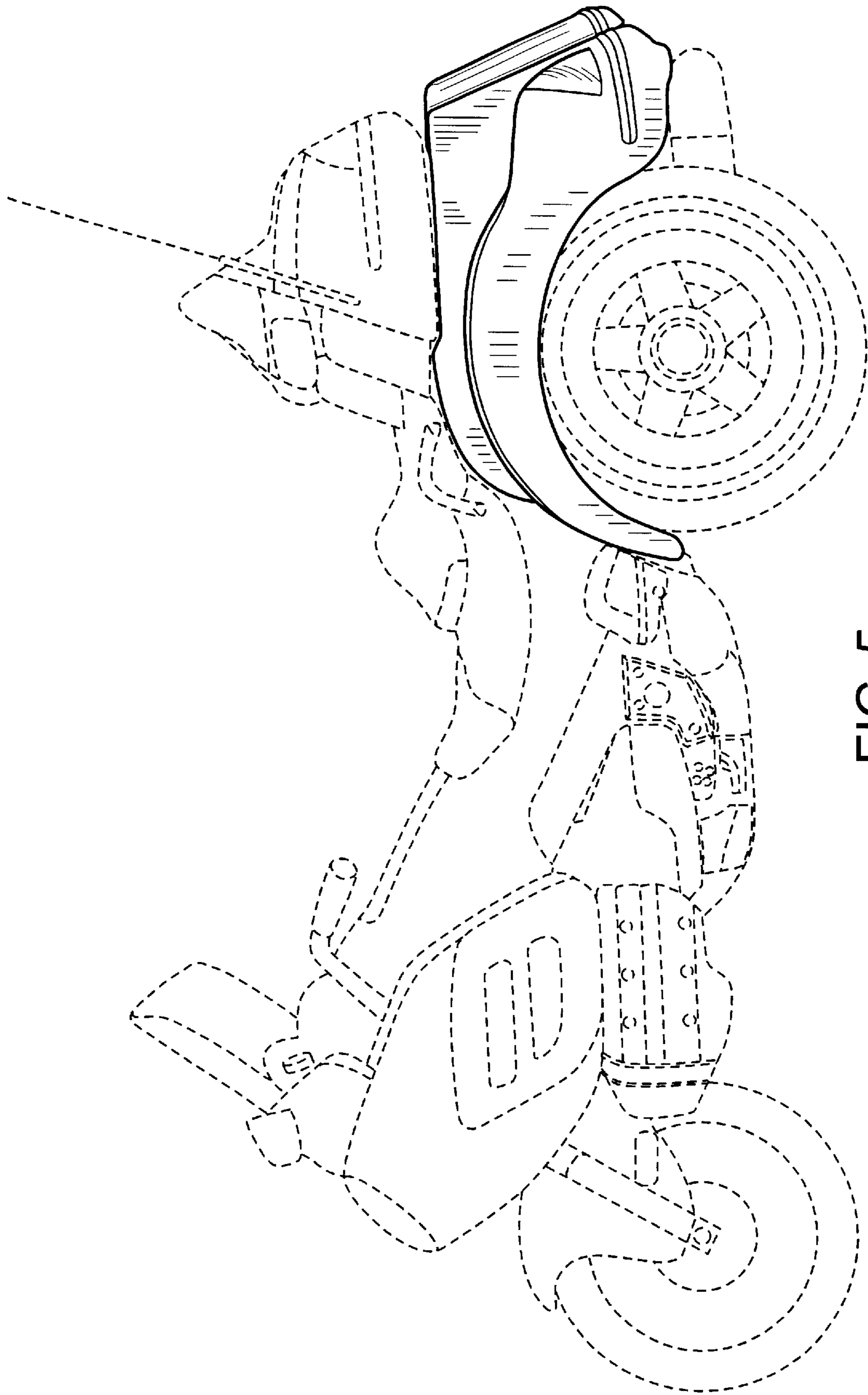


FIG. 5

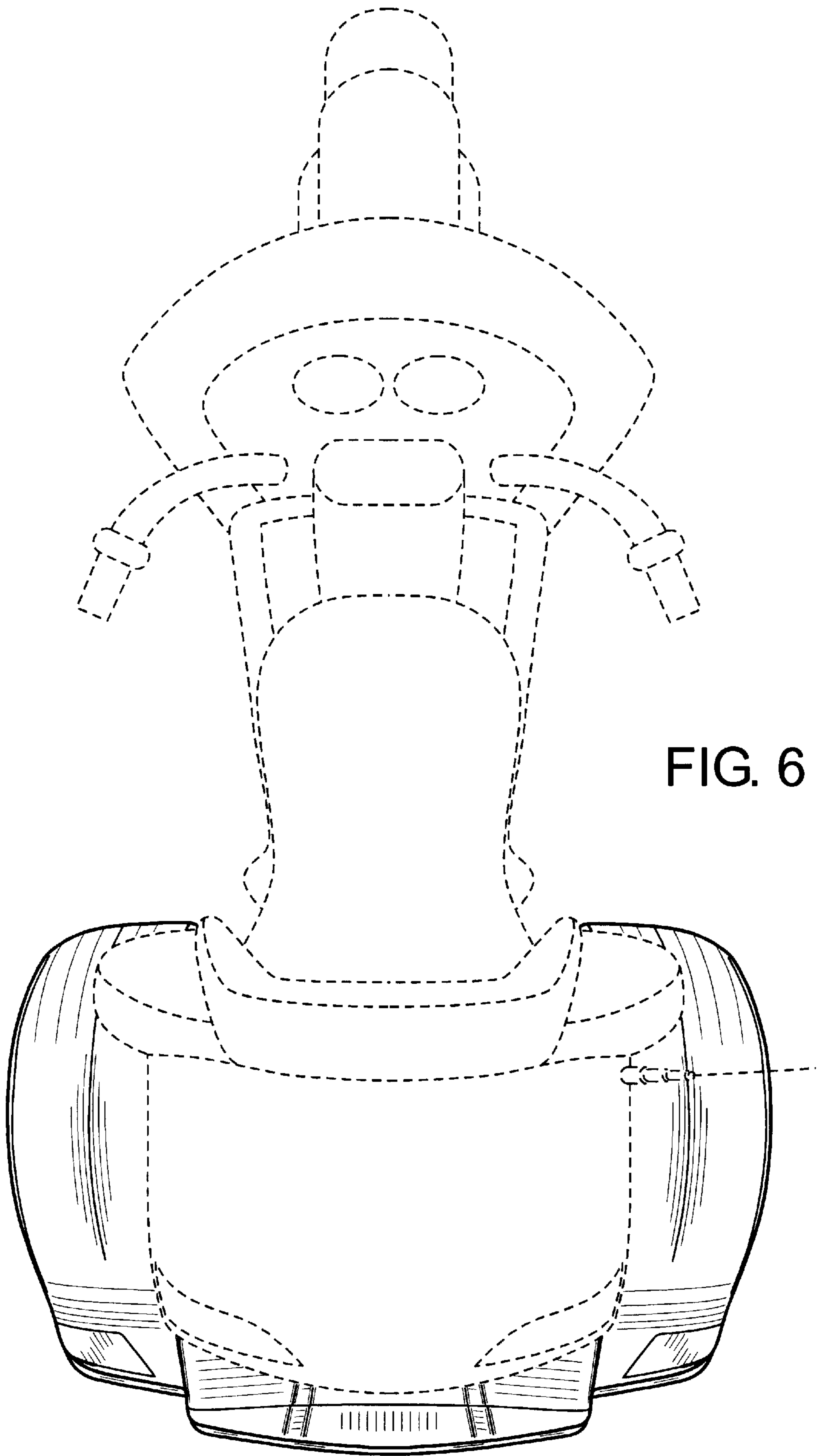


FIG. 6

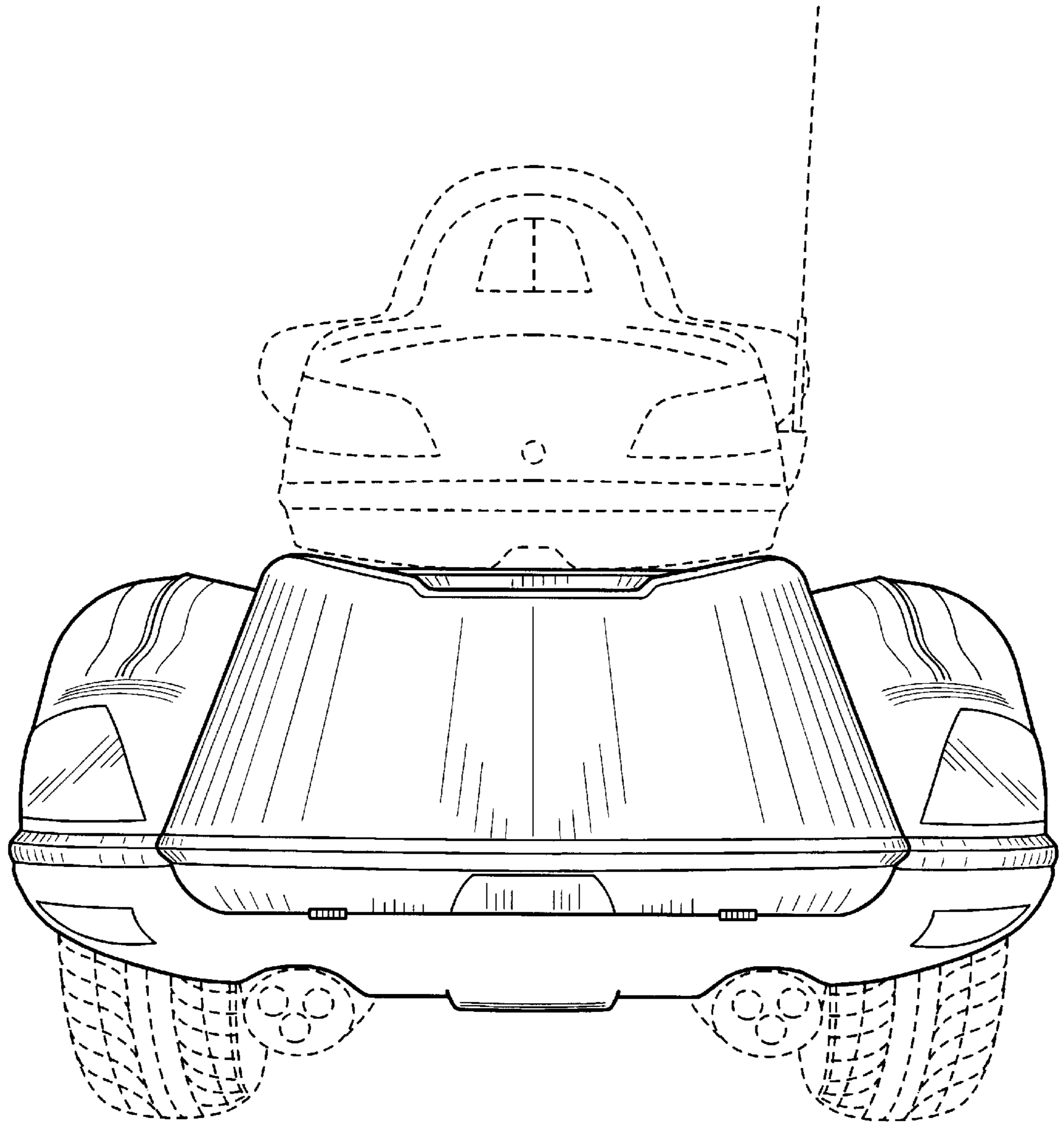


FIG. 7