



US00D479156S

(12) **United States Design Patent**
Meadows

(10) **Patent No.:** **US D479,156 S**

(45) **Date of Patent:** **** Sep. 2, 2003**

(54) **AUTOMOBILE BODY**

D466,447 S * 12/2002 Stoddard et al. D12/92

(75) Inventor: **Jordan J Meadows**, Carlsbad, CA (US)

* cited by examiner

(73) Assignee: **DaimlerChrysler Corporation**, Auburn Hills, MI (US)

Primary Examiner—Melody N. Brown
(74) *Attorney, Agent, or Firm*—Ralph E. Smith

(**) Term: **14 Years**

(57) **CLAIM**

(21) Appl. No.: **29/173,747**

The ornamental design for an automobile body, as shown and described.

(22) Filed: **Jan. 6, 2003**

DESCRIPTION

(51) **LOC (7) Cl.** **12-08**

FIG. 1 is a left side view of an automobile body showing our new design;

(52) **U.S. Cl.** **D12/91**

FIG. 2 is a side rear perspective view thereof;

(58) **Field of Search** D12/90-92, 86;

FIG. 3 is a front perspective view thereof; and,

296/185

FIG. 4 is a rear perspective view thereof;

(56) **References Cited**

It will be understood that the roof of the automobile body is plain and unornamental, and further that broken lines presented in the drawings are for illustration only, and do not form a part of the claimed design.

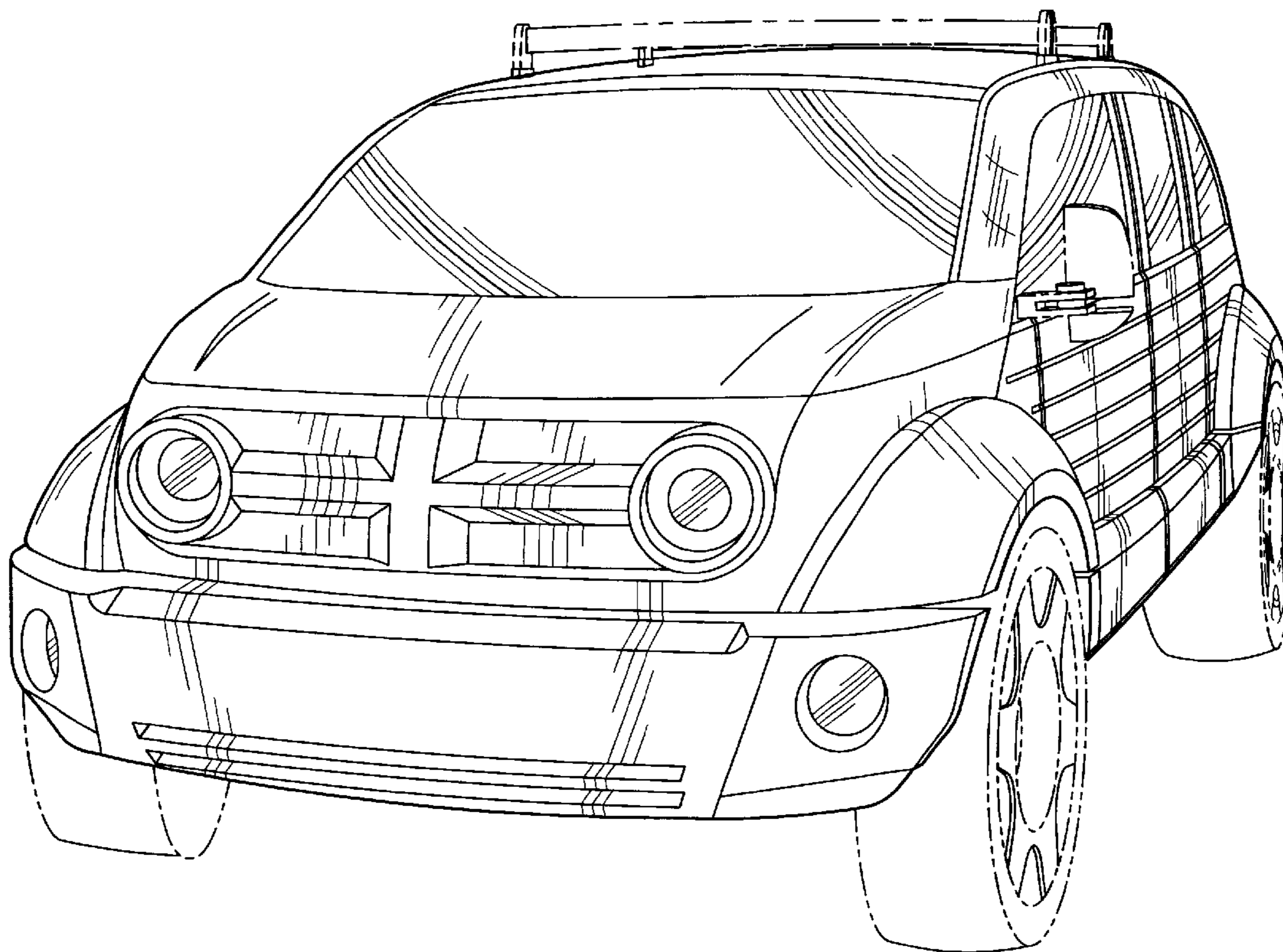
U.S. PATENT DOCUMENTS

D454,521 S * 3/2002 Allen D12/91

D466,053 S * 11/2002 O'Connell et al. D12/91

D466,443 S * 12/2002 Faurote et al. D12/92

1 Claim, 4 Drawing Sheets



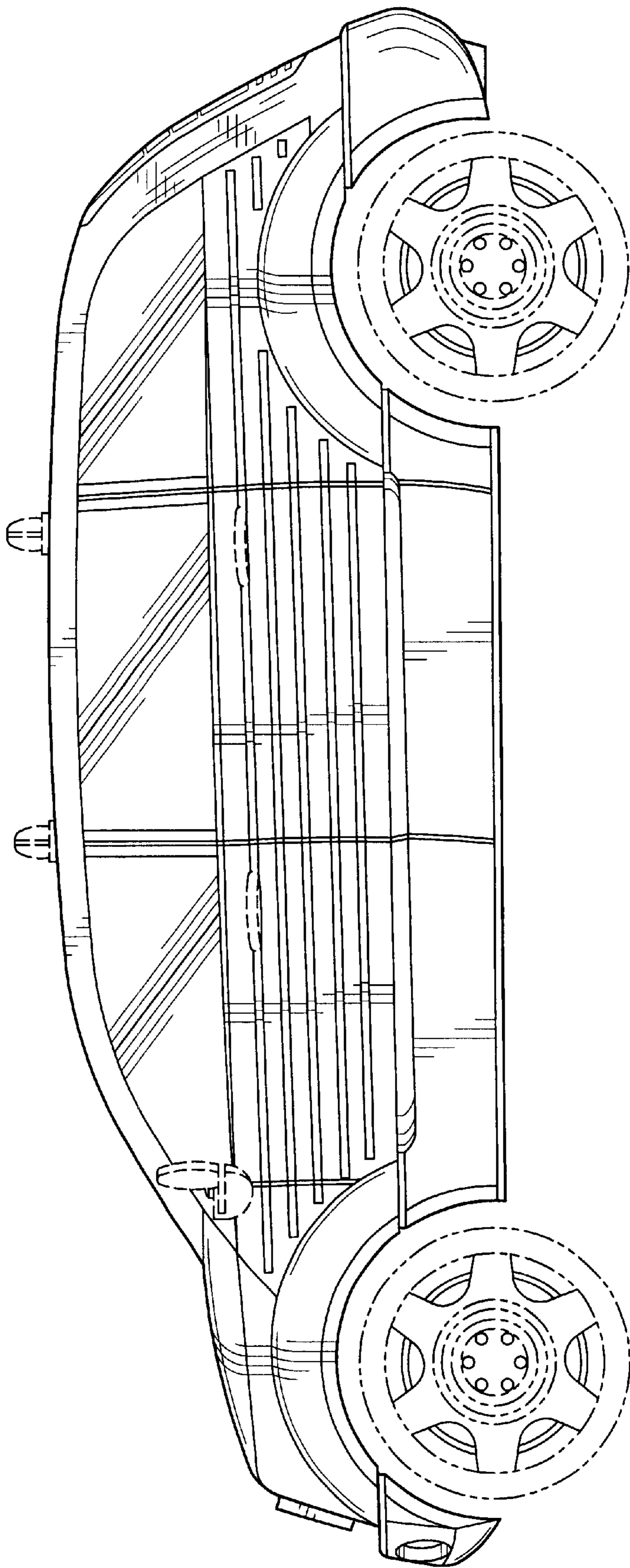


Fig-1

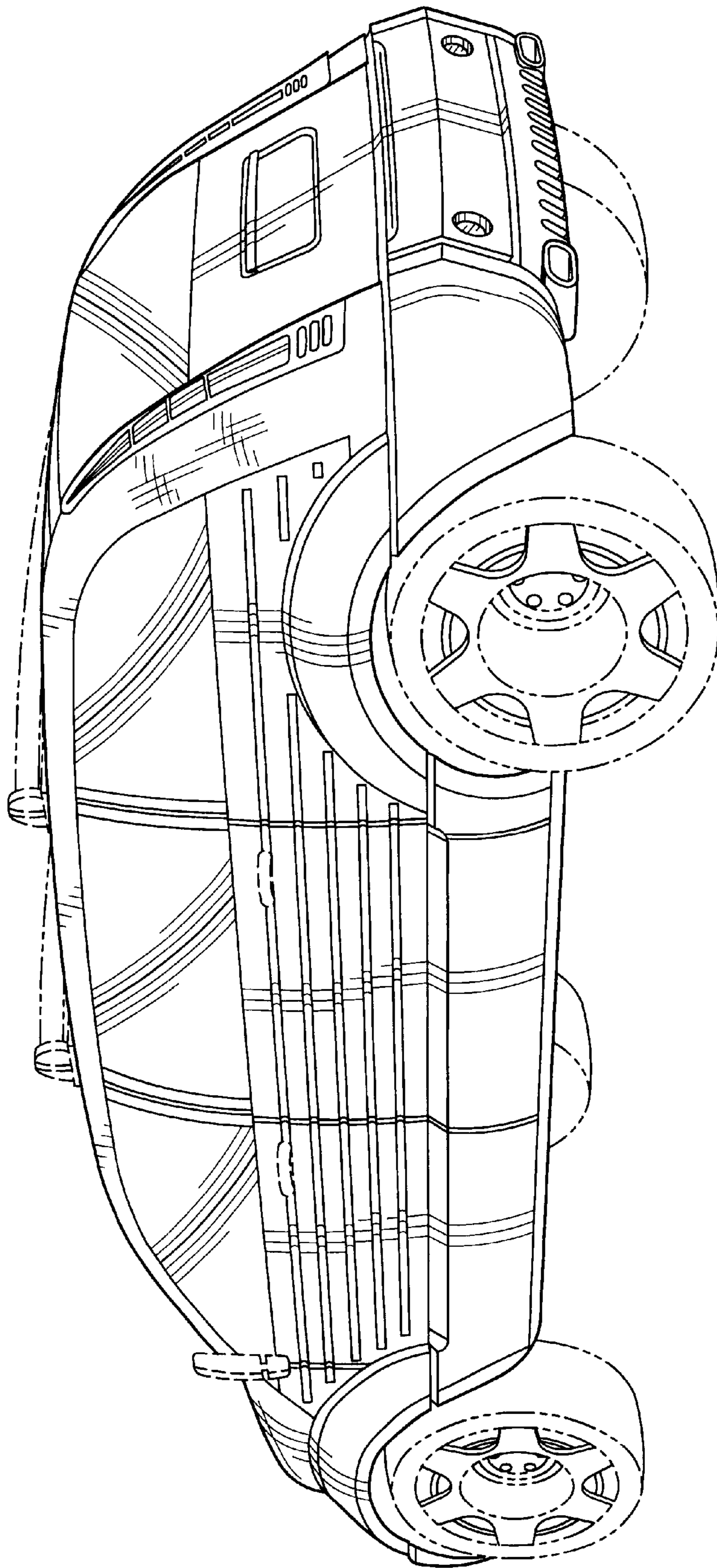
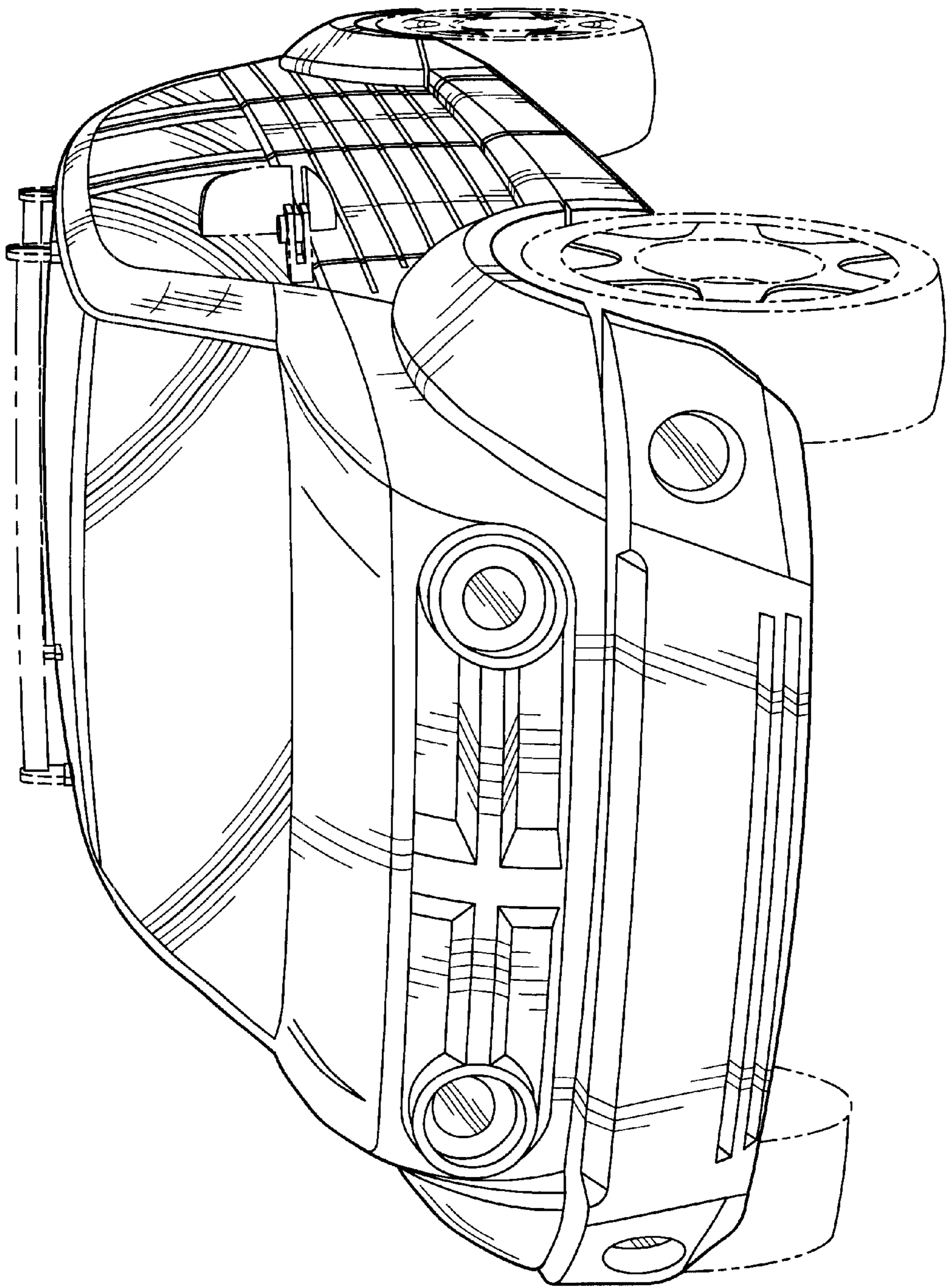


Fig-2

Fig-3



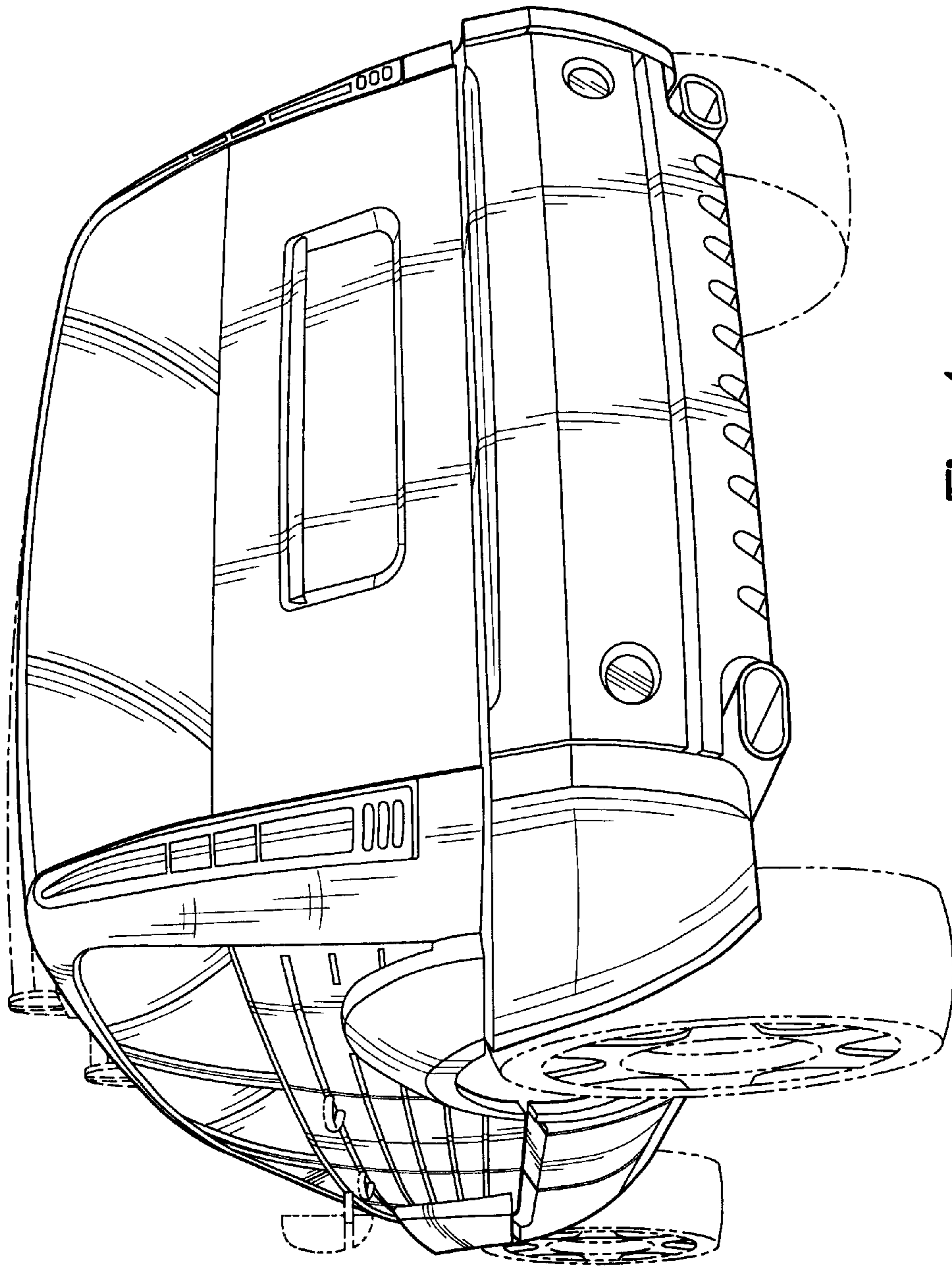


Fig-4