



US00D479154S

(12) **United States Design Patent**
Kruger et al.

(10) **Patent No.:** **US D479,154 S**

(45) **Date of Patent:** **** Sep. 2, 2003**

(54) **AUTOMOBILE BODY**

(75) Inventors: **Scott Kruger**, Shelby Township, MI (US); **Jaehak Namgoong**, Sterling Heights, MI (US); **Brandon Faurote**, Rochester, MI (US); **L. John Ozark**, Grosse Pointe Woods, MI (US); **Lance R Wagner**, Lake Orion, MI (US); **Jeffrey I Godshall**, Royal Oak, MI (US)

(73) Assignee: **DaimlerChrysler Corporation**, Auburn Hills, MI (US)

(**) Term: **14 Years**

(21) Appl. No.: **29/172,967**

(22) Filed: **Dec. 19, 2002**

(51) **LOC (7) Cl.** **12-08**

(52) **U.S. Cl.** **D12/91**

(58) **Field of Search** D12/90-92, 86;
296/185

(56) **References Cited**

U.S. PATENT DOCUMENTS

D454,521 S * 3/2002 Allen D12/91

D466,053 S * 11/2002 O'Connell et al. D12/91

D466,443 S * 12/2002 Faurote et al. D12/91

D466,451 S * 12/2002 Trostte et al. D12/98

* cited by examiner

Primary Examiner—Melody N. Brown

(74) *Attorney, Agent, or Firm*—Ralph E. Smith

(57) **CLAIM**

The ornamental design for an automobile body, as shown and described.

DESCRIPTION

FIG. 1 is a front perspective view of an automobile body showing our new design;

FIG. 2 is a side view thereof;

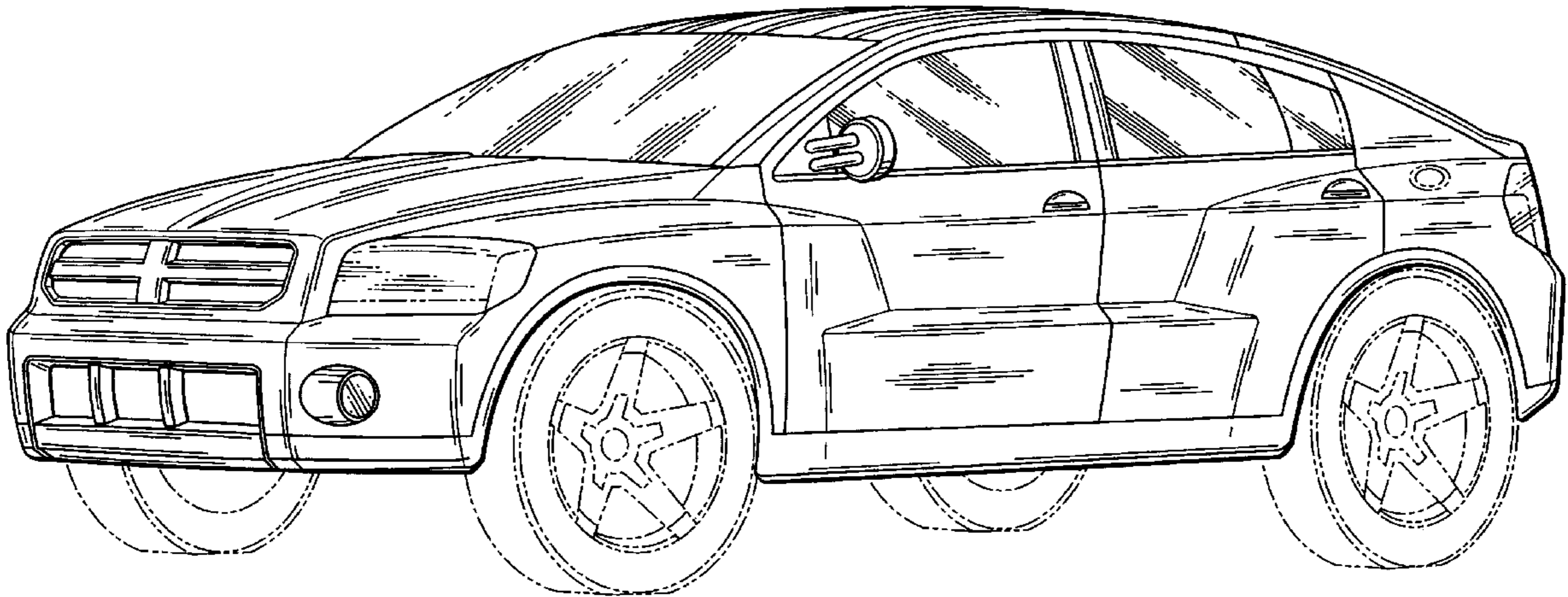
FIG. 3 is a rear perspective view thereof;

FIG. 4 is a front view thereof; and,

FIG. 5 is a rear view thereof.

It will be understood that the roof of the automobile body is plain and unornamental, and further that broken lines presented in the drawings are for illustration only, and do not form a part of the claimed design.

1 Claim, 5 Drawing Sheets



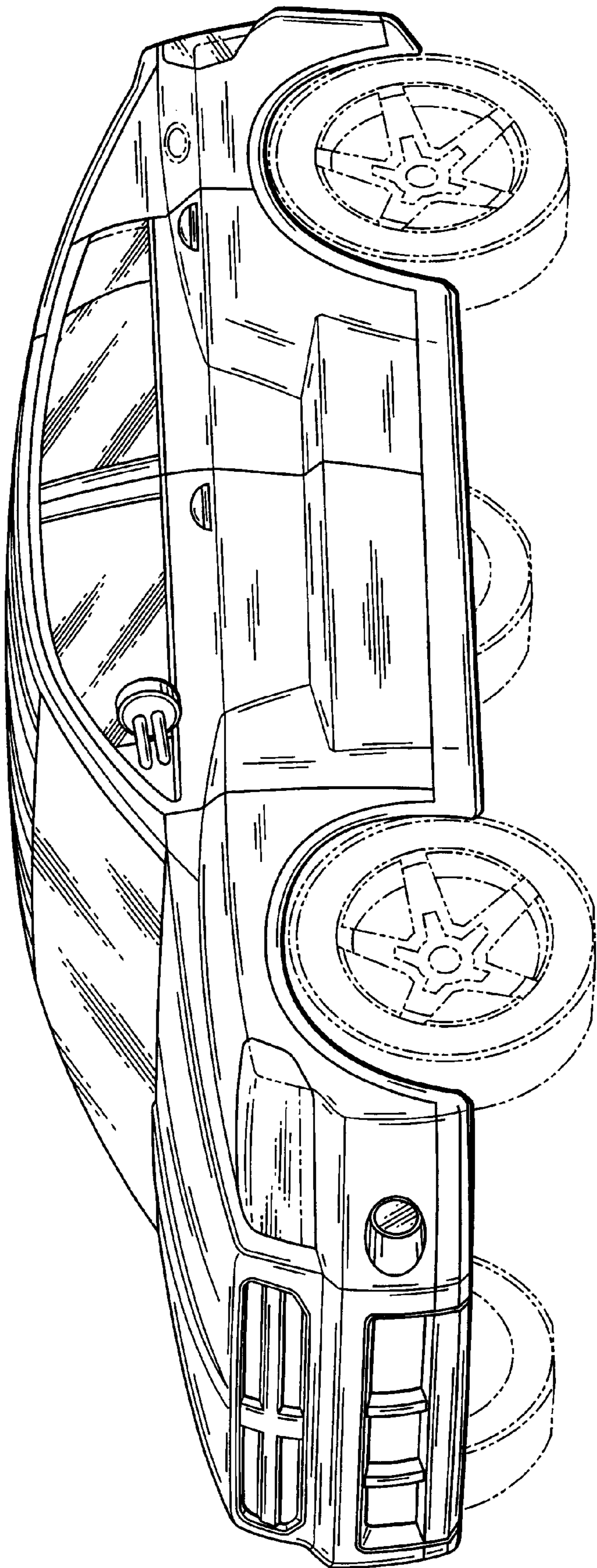


Fig. 1

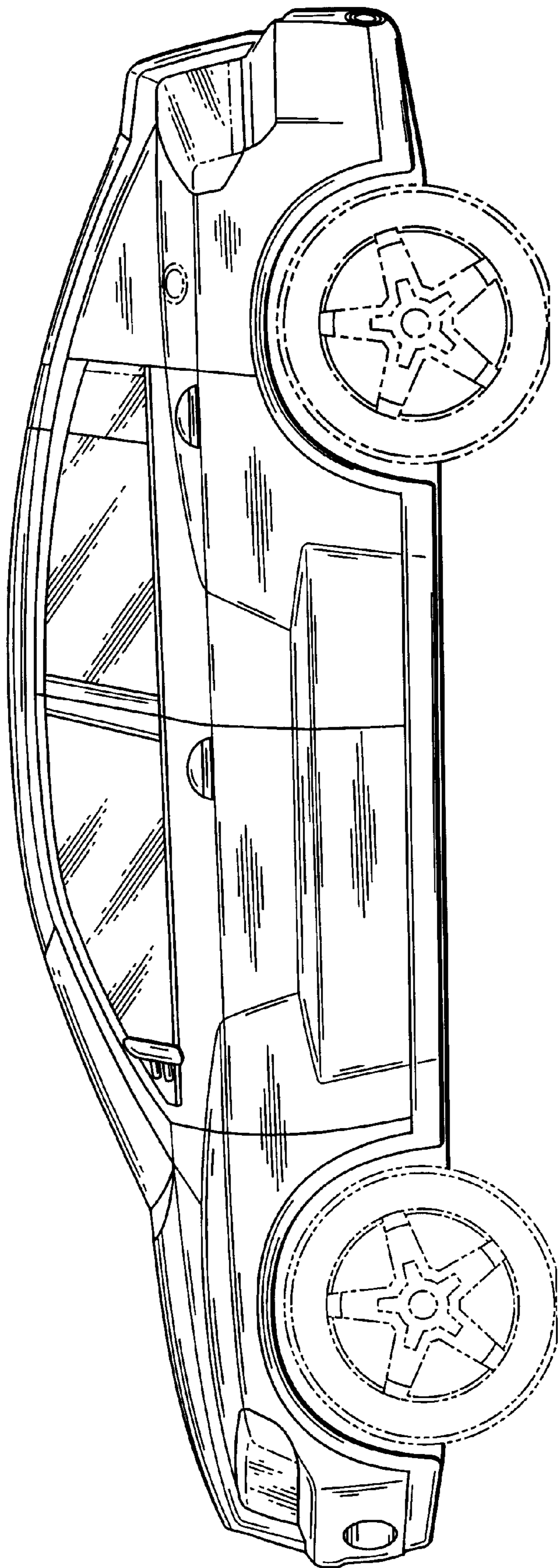


Fig. 2

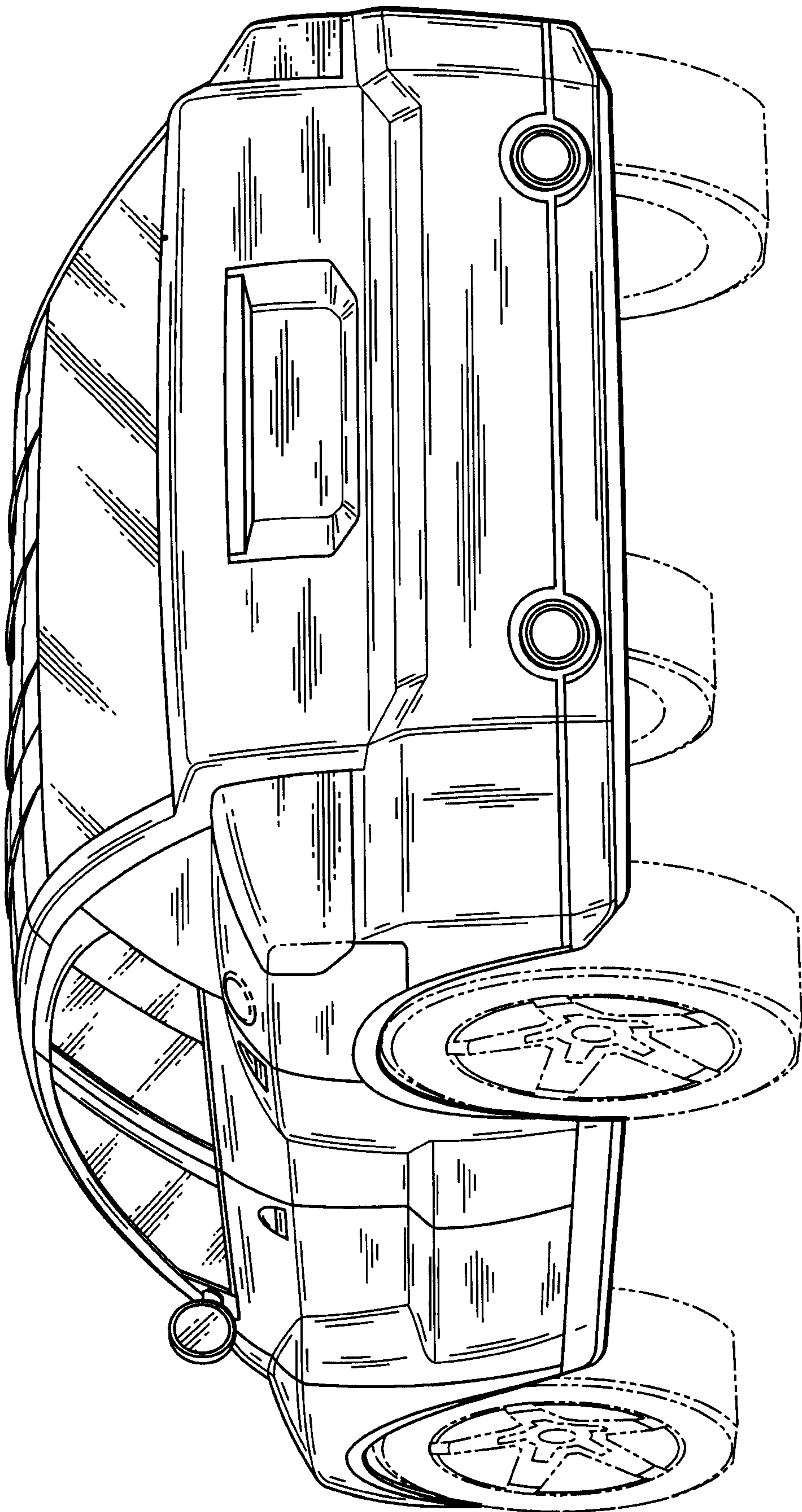


Fig. 3

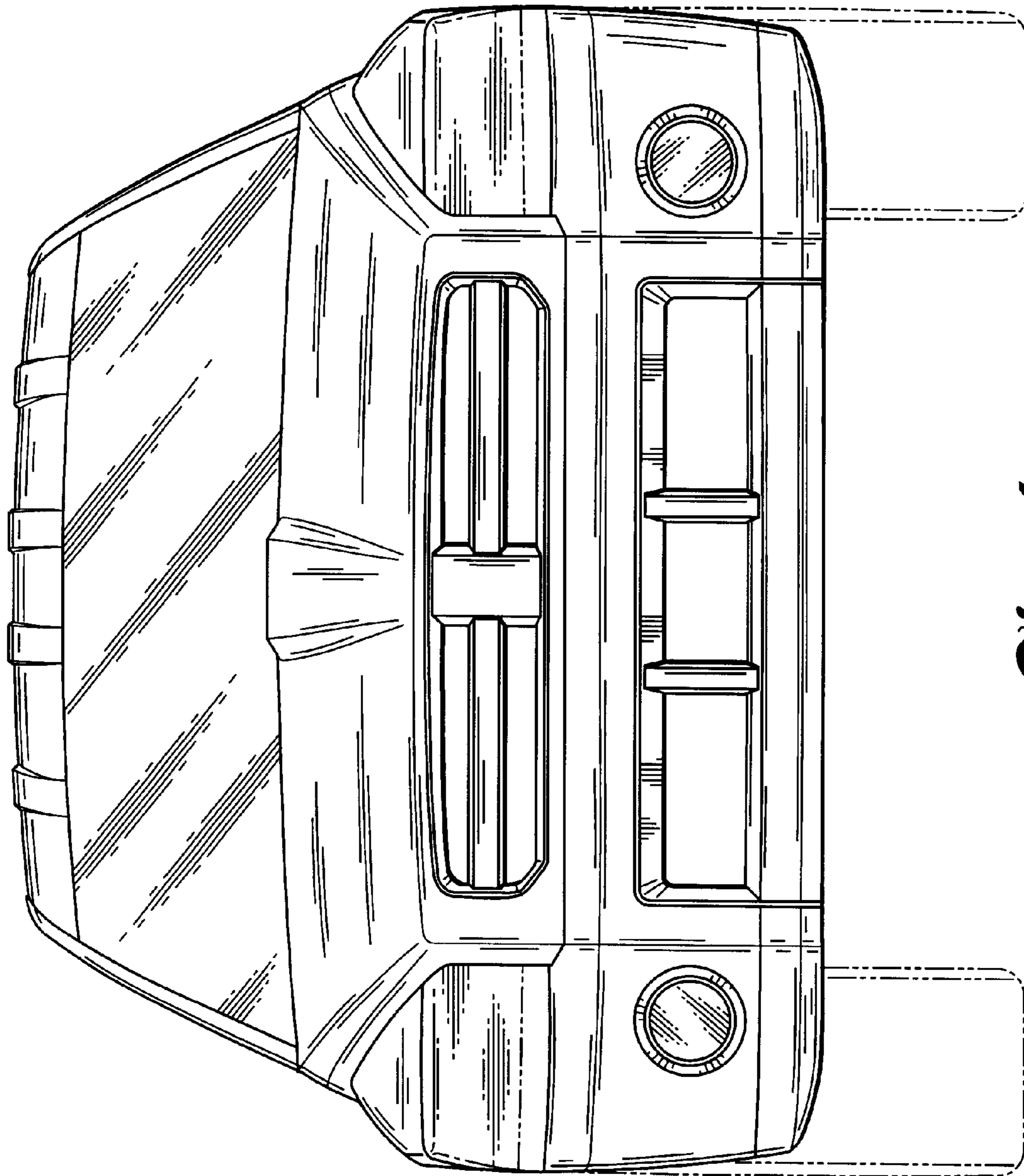


Fig. 4

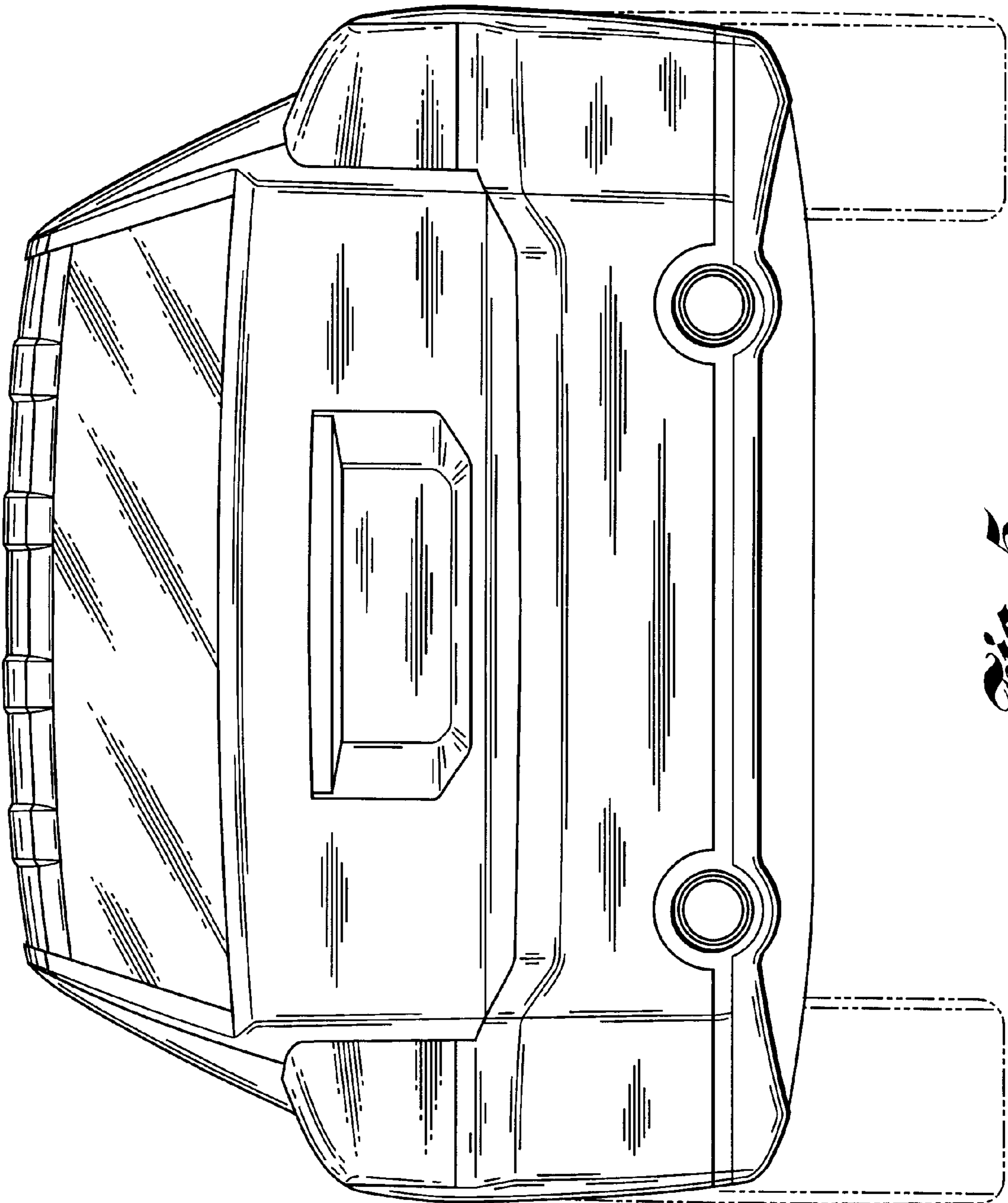


Fig. 5