



US00D479153S

(12) **United States Design Patent**
Riser

(10) **Patent No.:** **US D479,153 S**

(45) **Date of Patent:** **** *Sep. 2, 2003**

(54) **CABLE CAR**

D389,417 S * 1/1998 Polacek et al. D10/40

(75) Inventor: **Georges Riser**, Boeckten (CH)

* cited by examiner

(73) Assignee: **CWA-Constructions S.A.**, Olten (CH)

Primary Examiner—Stacia Cadmus

(*) Notice: This patent is subject to a terminal disclaimer.

(74) *Attorney, Agent, or Firm*—Sidley Austin Brown & Wood, LLP

(**) Term: **14 Years**

(57) **CLAIM**

The ornamental design of a cable car, as shown and described.

(21) Appl. No.: **29/105,837**

DESCRIPTION

(22) Filed: **Jun. 3, 1999**

(51) **LOC (7) Cl.** **12-03**

(52) **U.S. Cl.** **D12/37**

(58) **Field of Search** D12/36-40; 104/281,
104/118, 106, 89, 287, 94; 105/141-148,
329.1, 154; D10/40

FIG. 1 is a front view of a first embodiment of a cable car, showing my new design;

FIG. 2 is a rear view thereof;

FIG. 3 is left side view thereof;

FIG. 4 is a right side view thereof;

FIG. 5 is a top view thereof;

FIG. 6 is a bottom view thereof;

FIG. 7 is front perspective view thereof;

FIG. 8 is a front view of a second embodiment of a cable car, showing my new design;

FIG. 9 is a rear view thereof;

FIG. 10 is left side view thereof;

FIG. 11 is a right side view thereof;

FIG. 12 is a top view thereof;

FIG. 13 is a bottom view thereof; and,

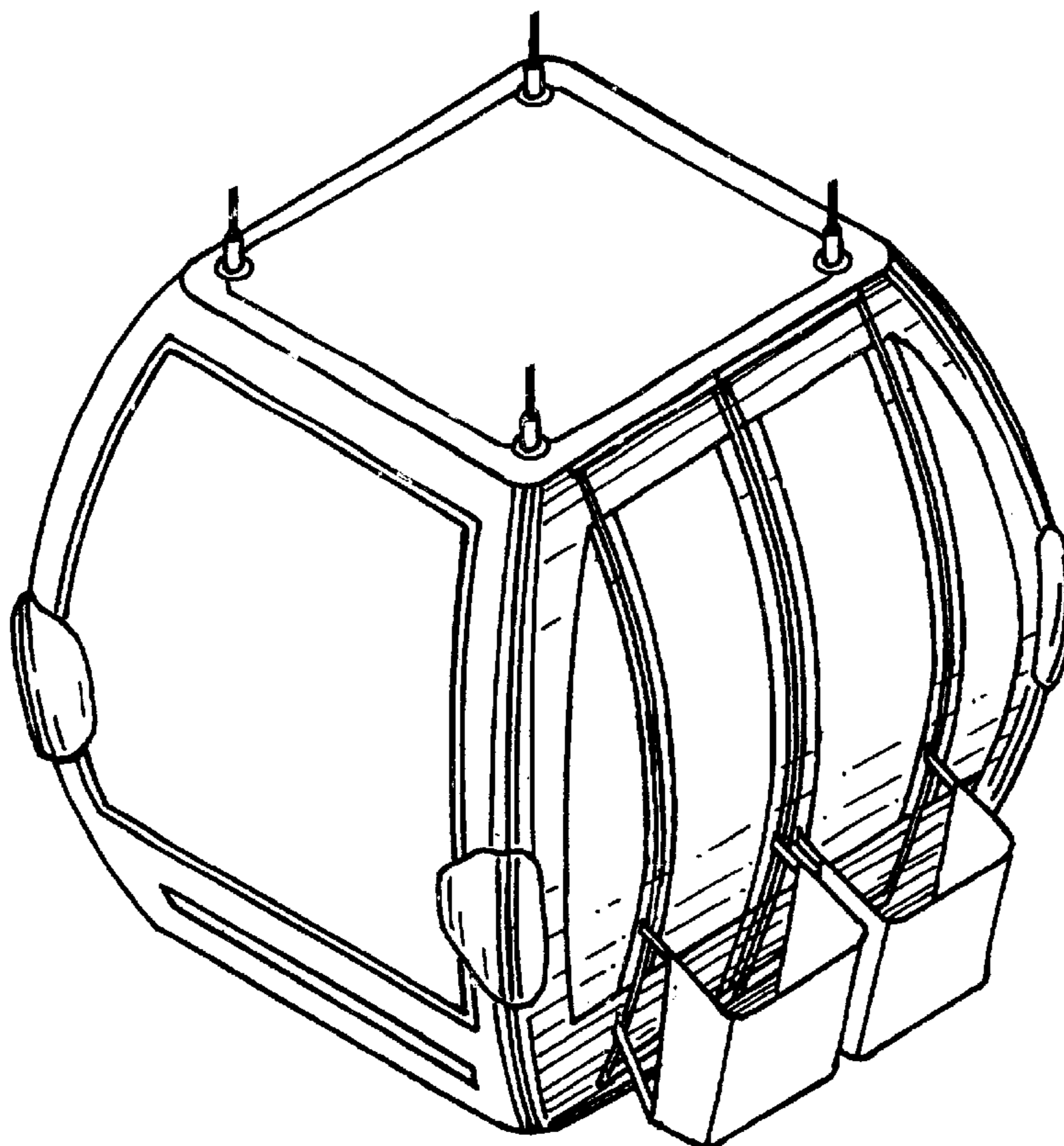
FIG. 14 is front perspective view thereof.

(56) **References Cited**

U.S. PATENT DOCUMENTS

3,094,079	A	*	6/1963	Greil	D12/37	X
D217,887	S	*	6/1970	Gerevitz	D12/37	
D218,995	S	*	10/1970	Larsen	D12/37	
D221,597	S	*	8/1971	Eggert	D12/37	
3,817,183	A	*	6/1974	Hill et al.	104/119	
D235,750	S	*	7/1975	Edwards	D12/37	
D274,320	S	*	6/1984	Kelly	D12/37	
D329,028	S	*	9/1992	Malewicki	D12/37	

1 Claim, 4 Drawing Sheets



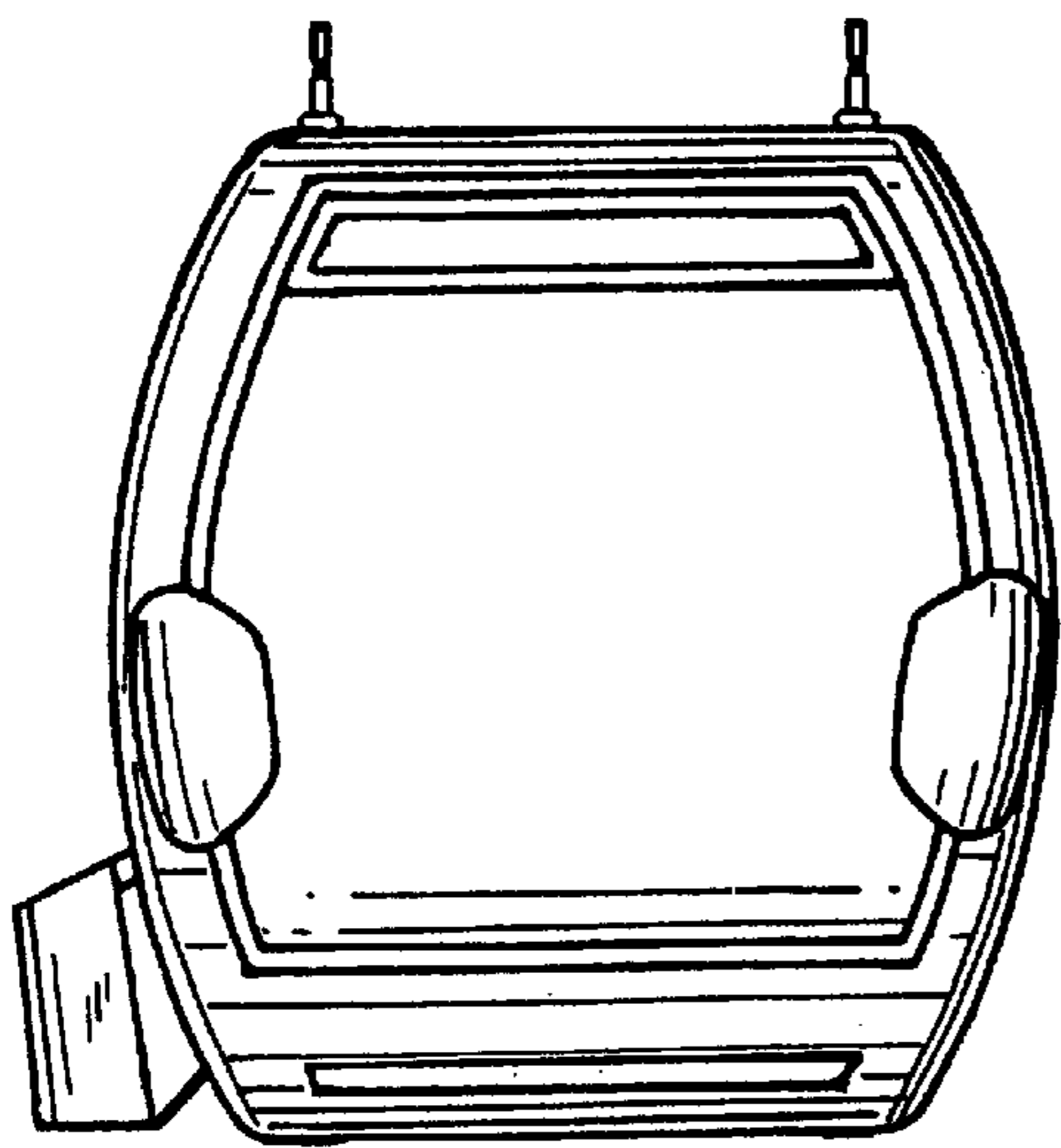


FIG. 1

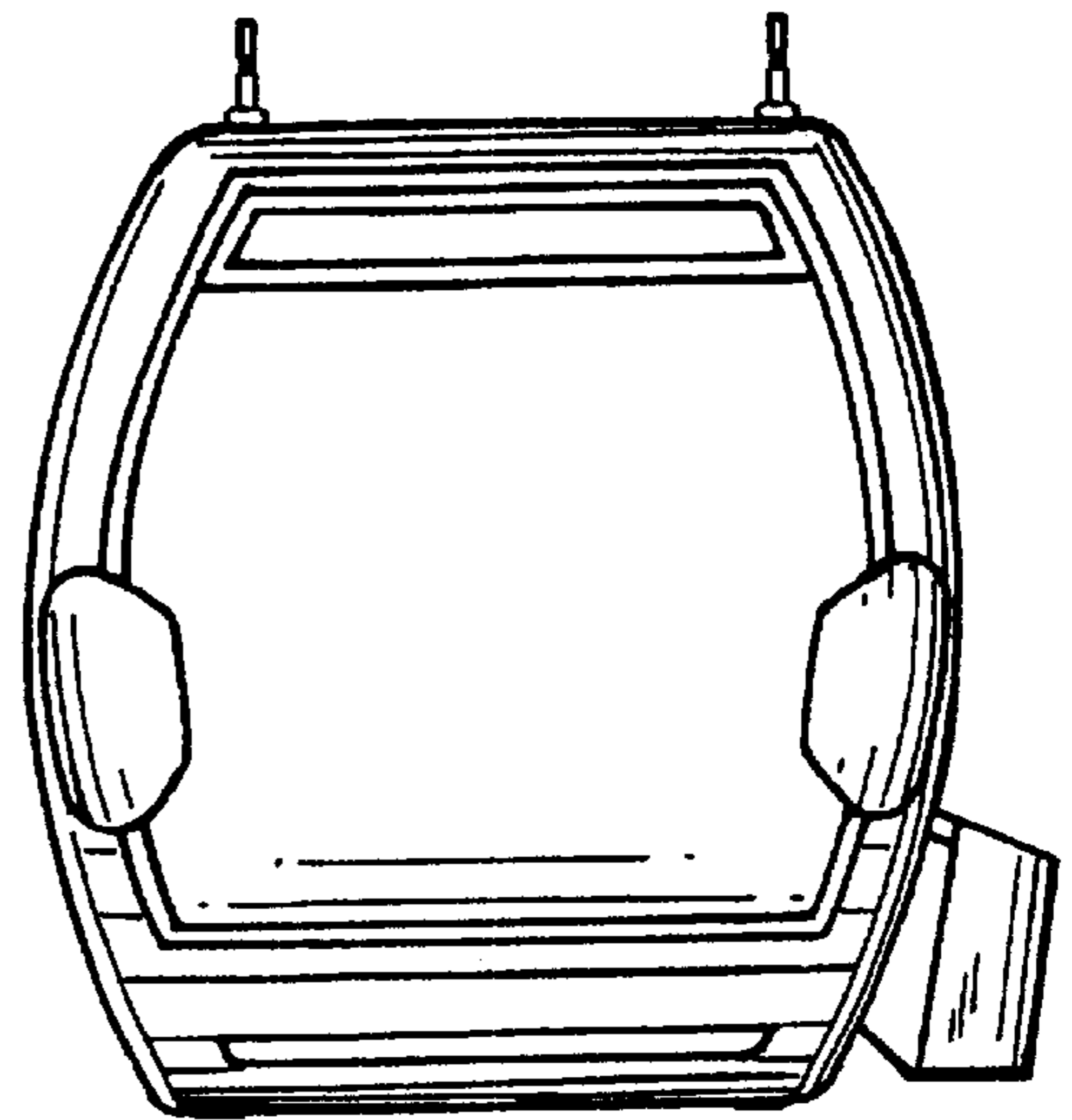


FIG. 2

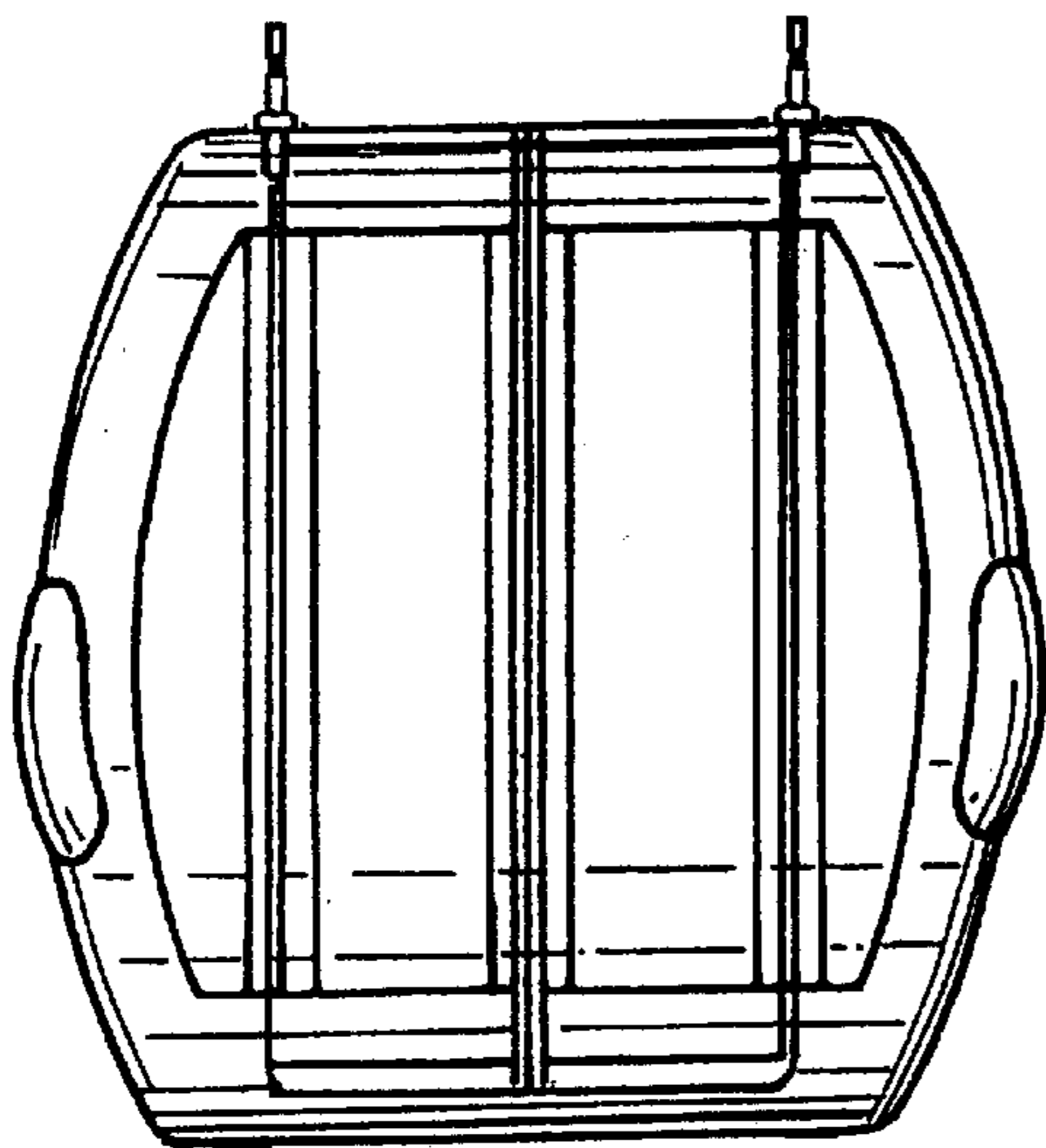


FIG. 3

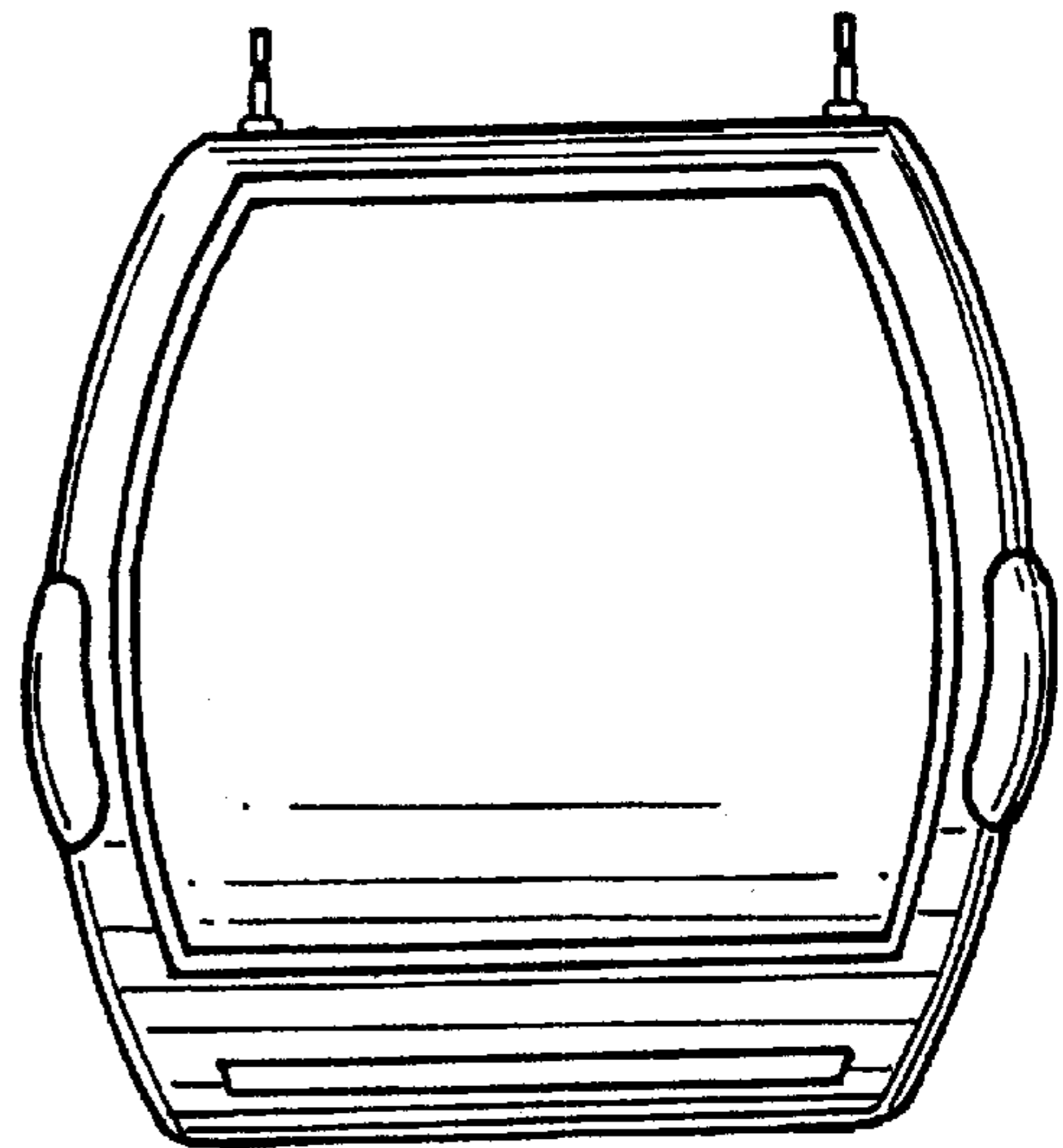


FIG. 4

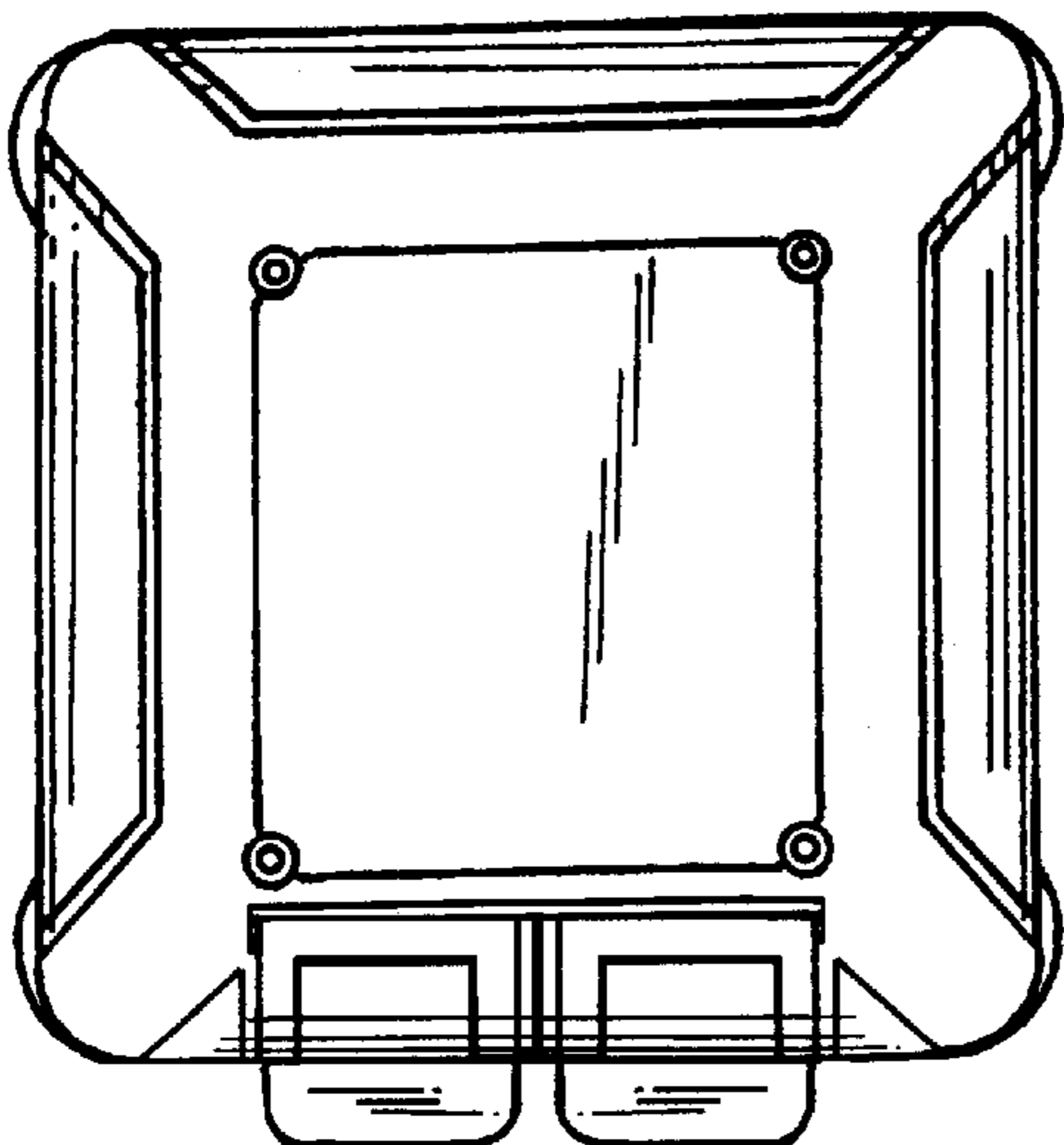


FIG. 5

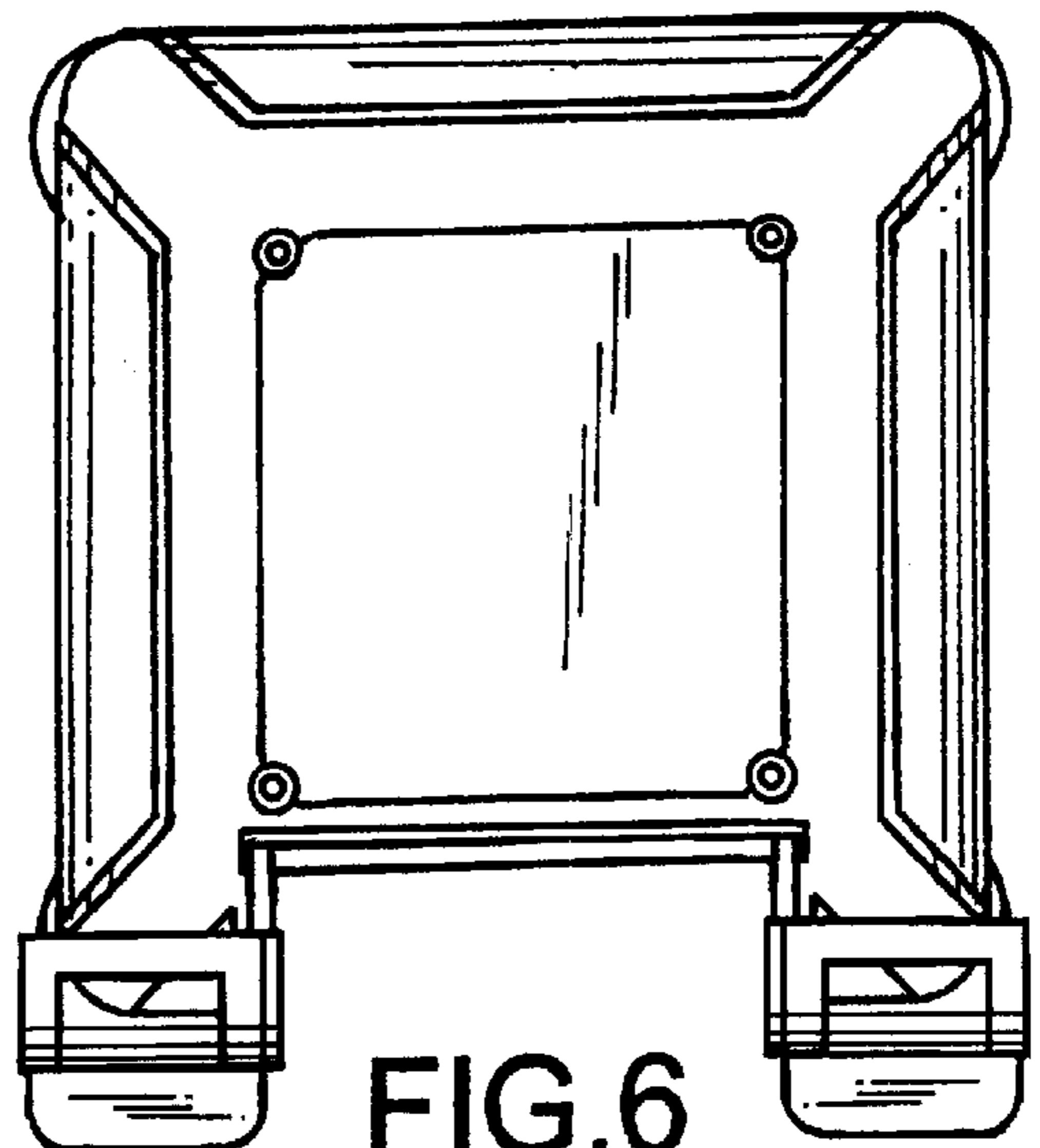


FIG. 6

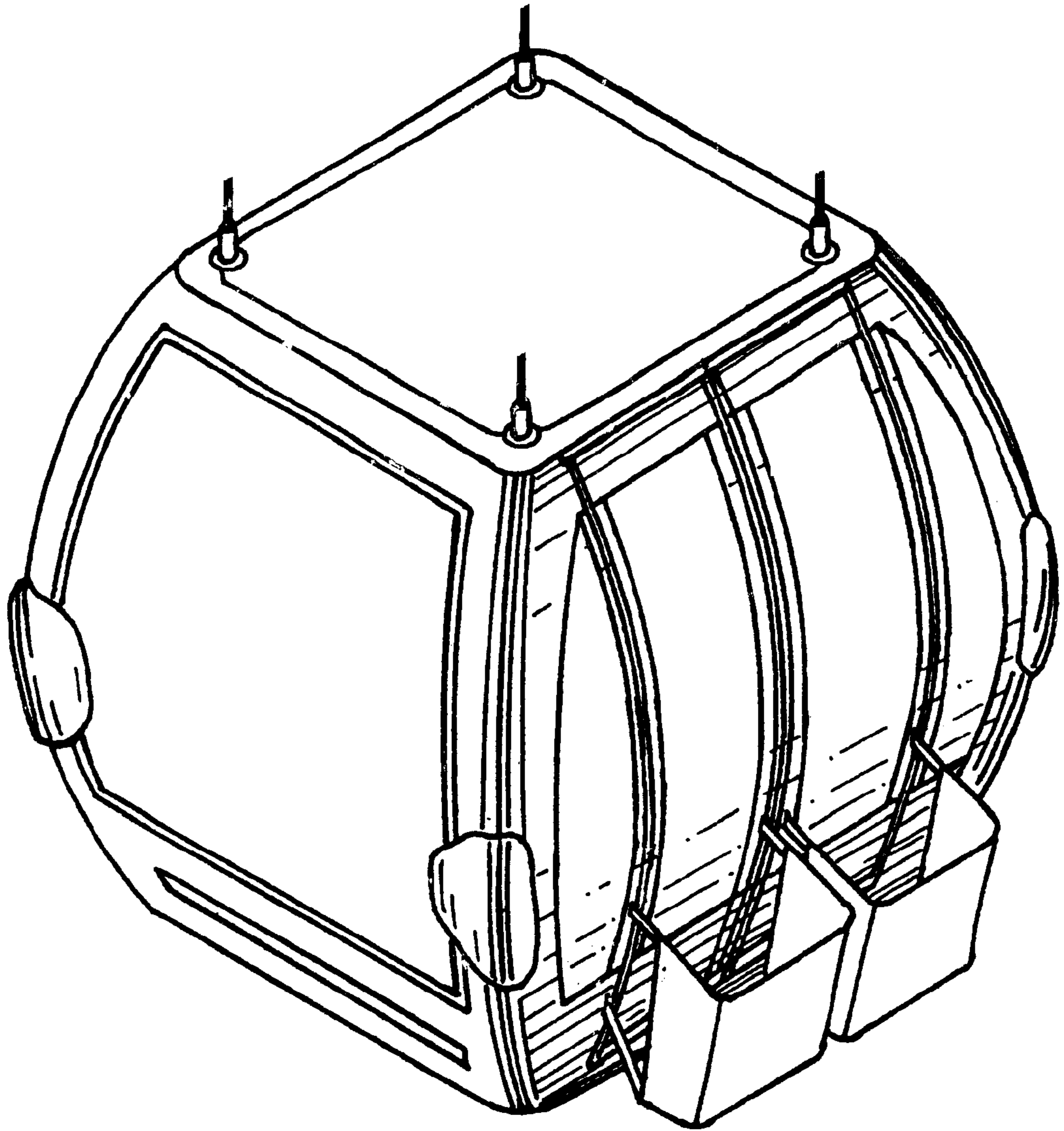


FIG.7

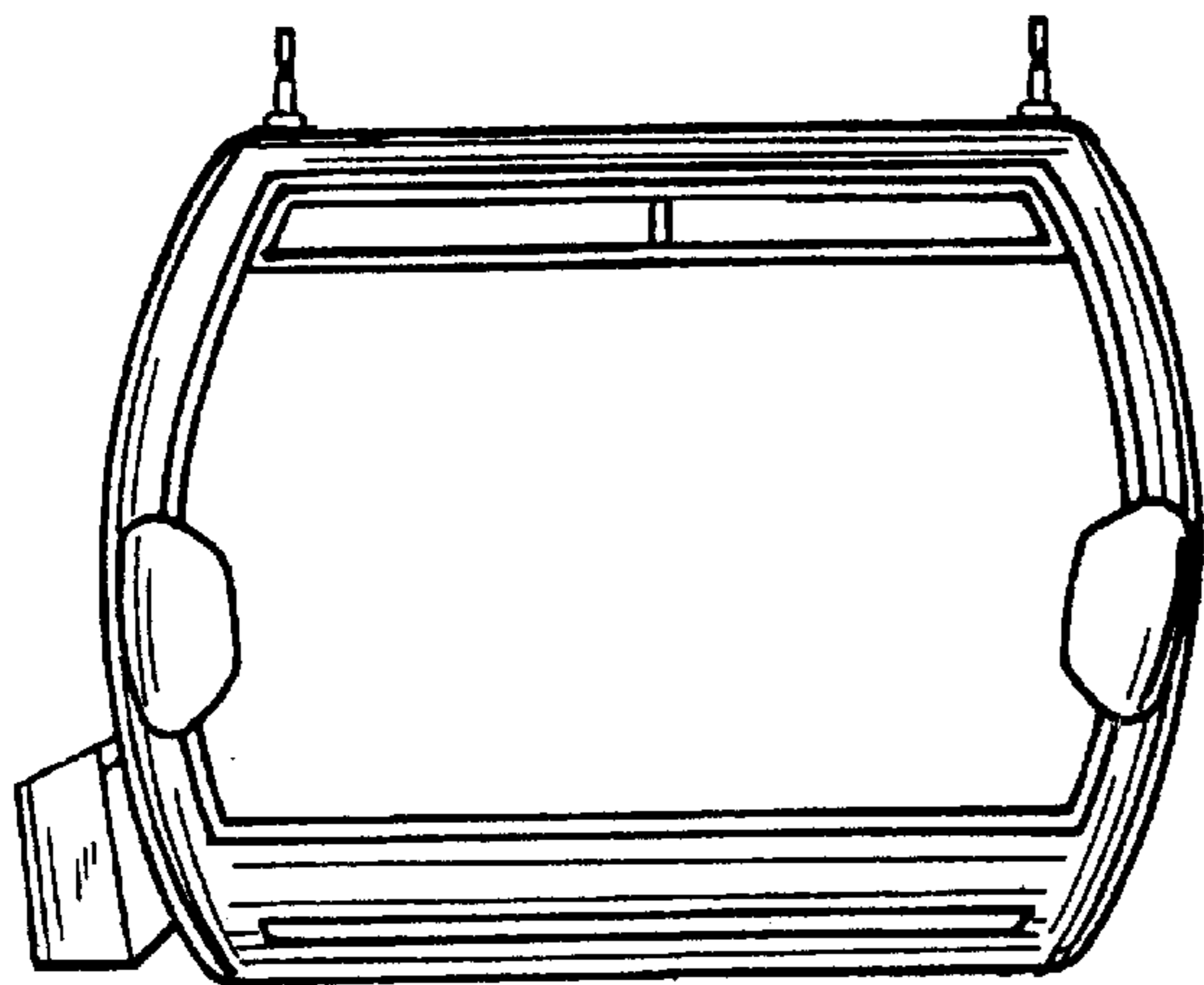


FIG. 8

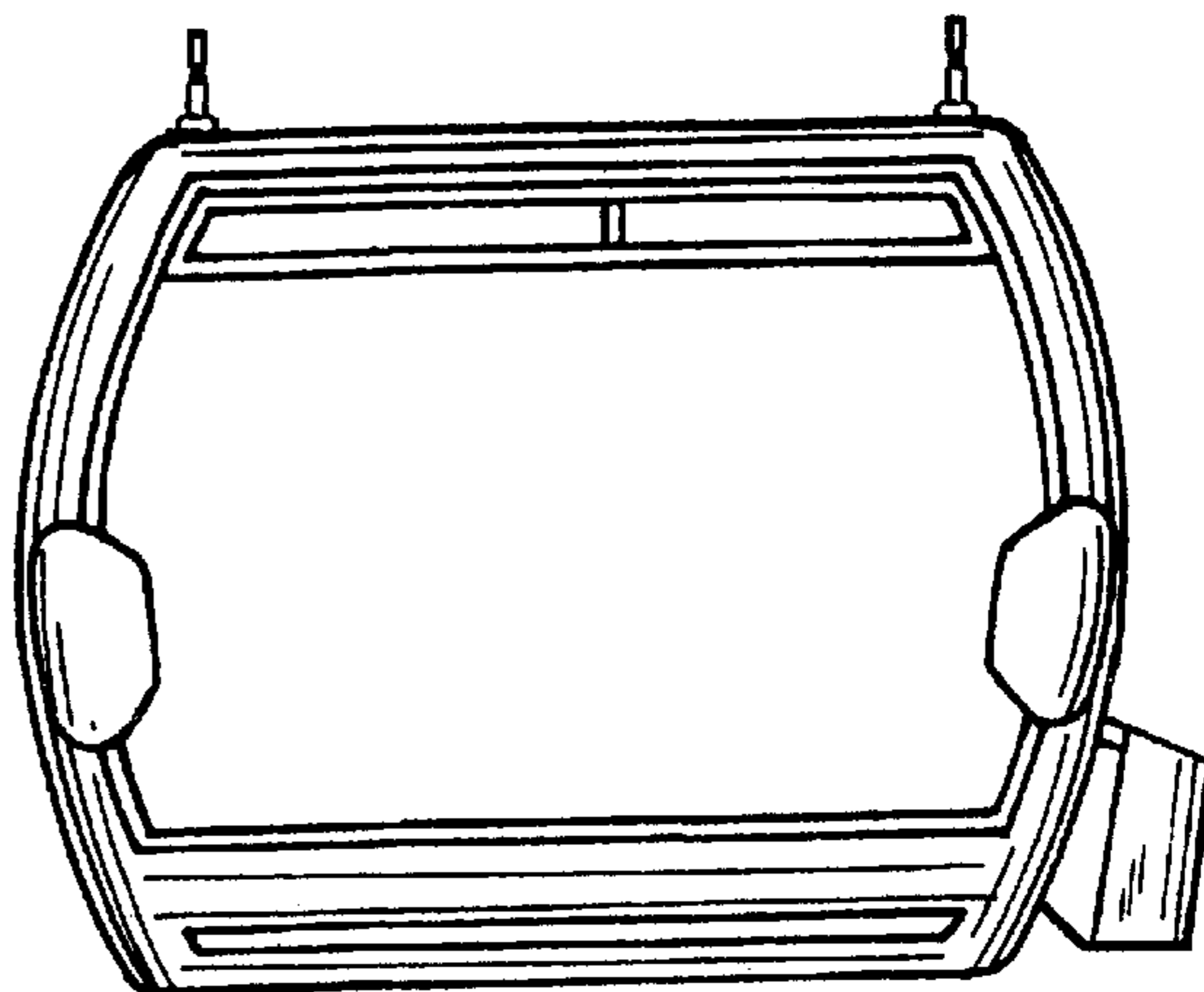


FIG. 9

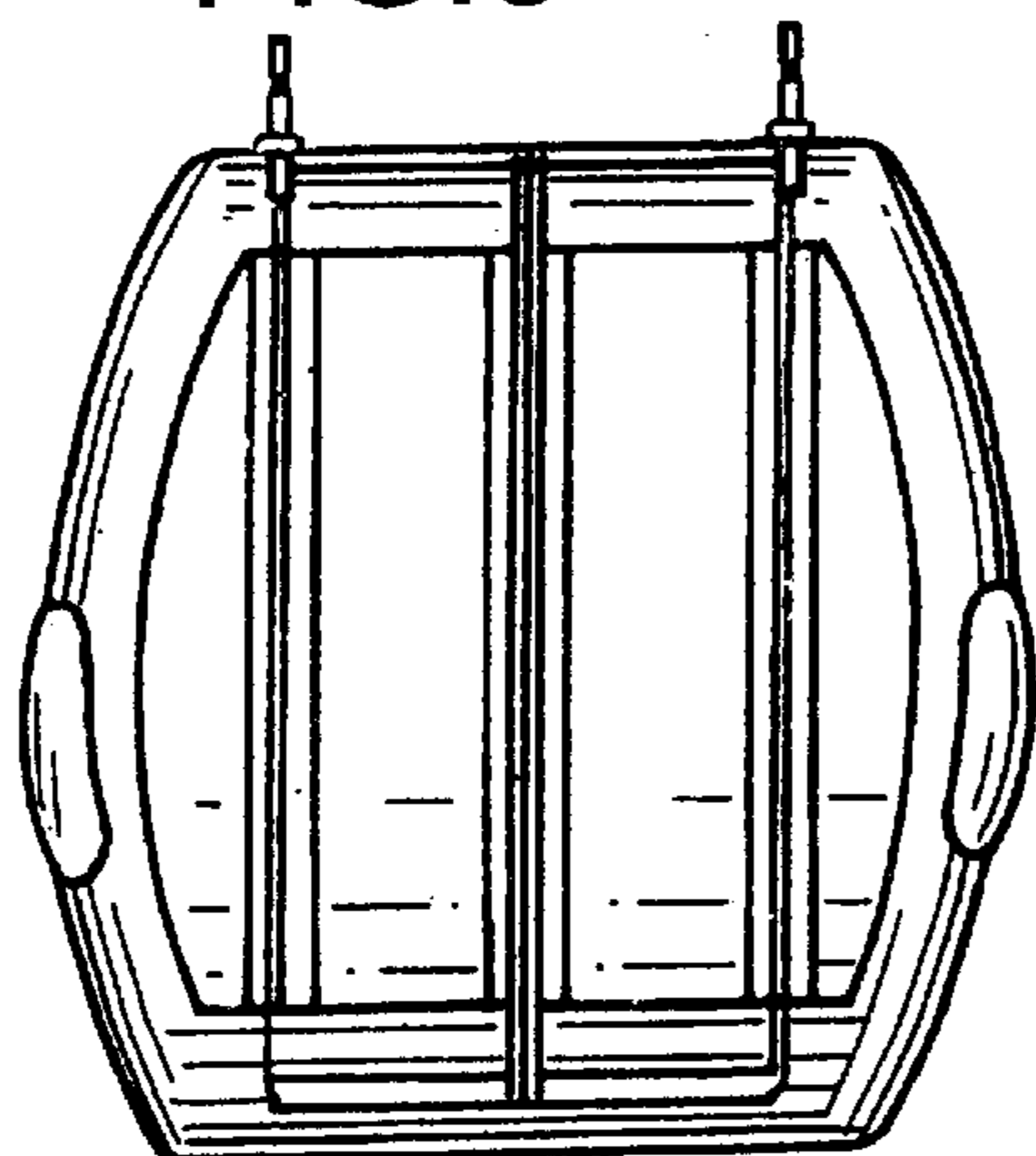


FIG. 10

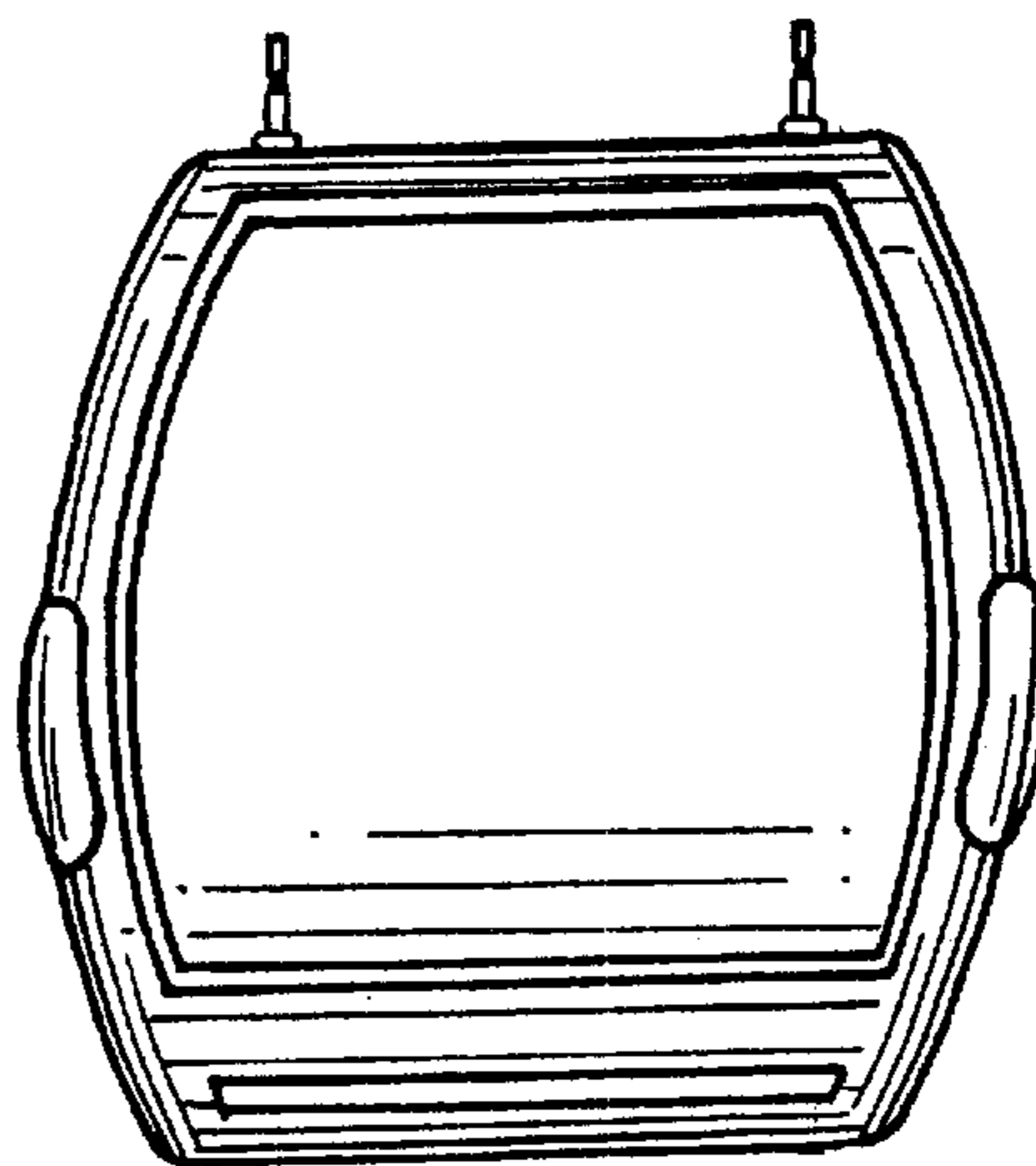


FIG. 11

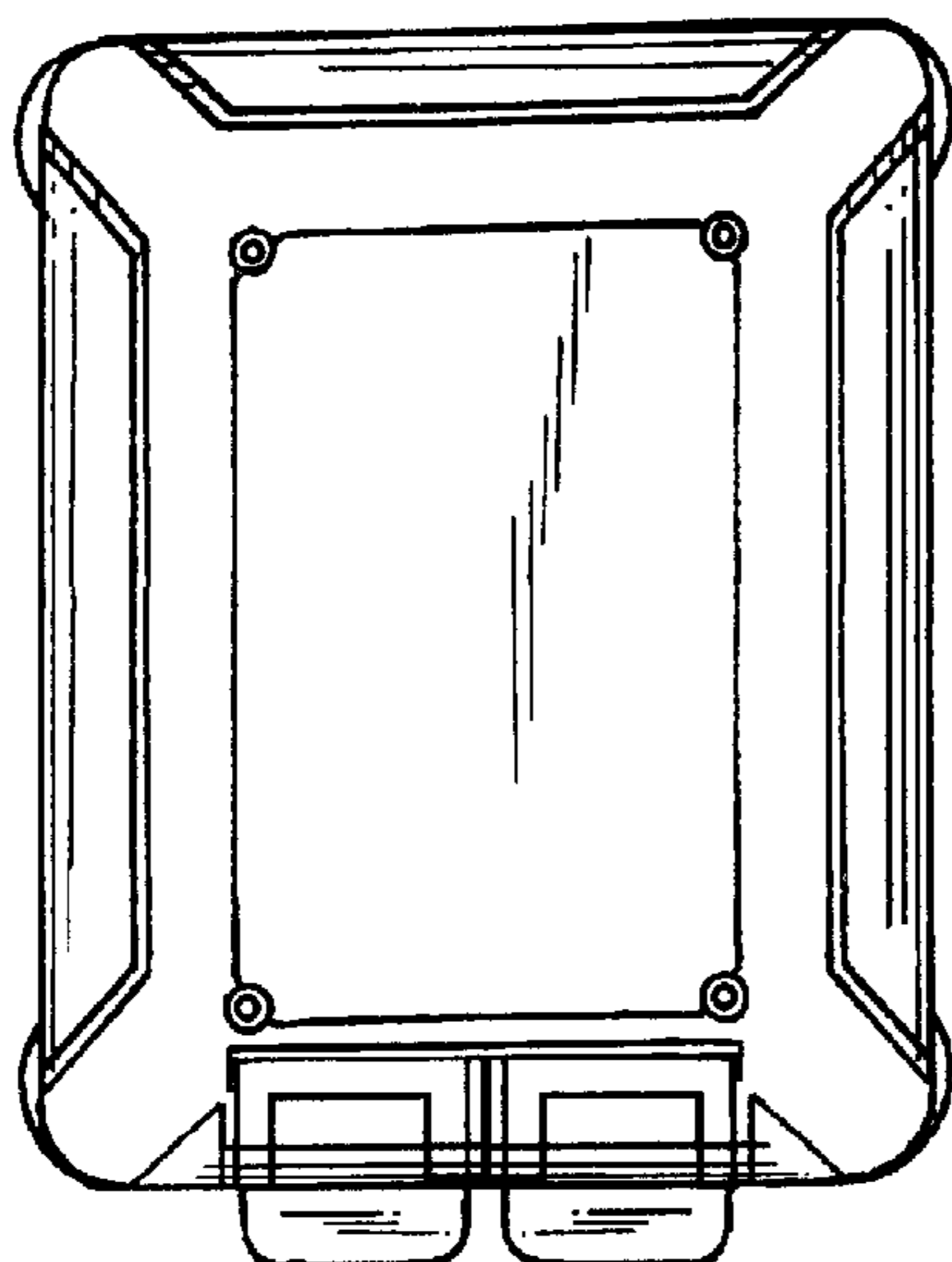


FIG. 12

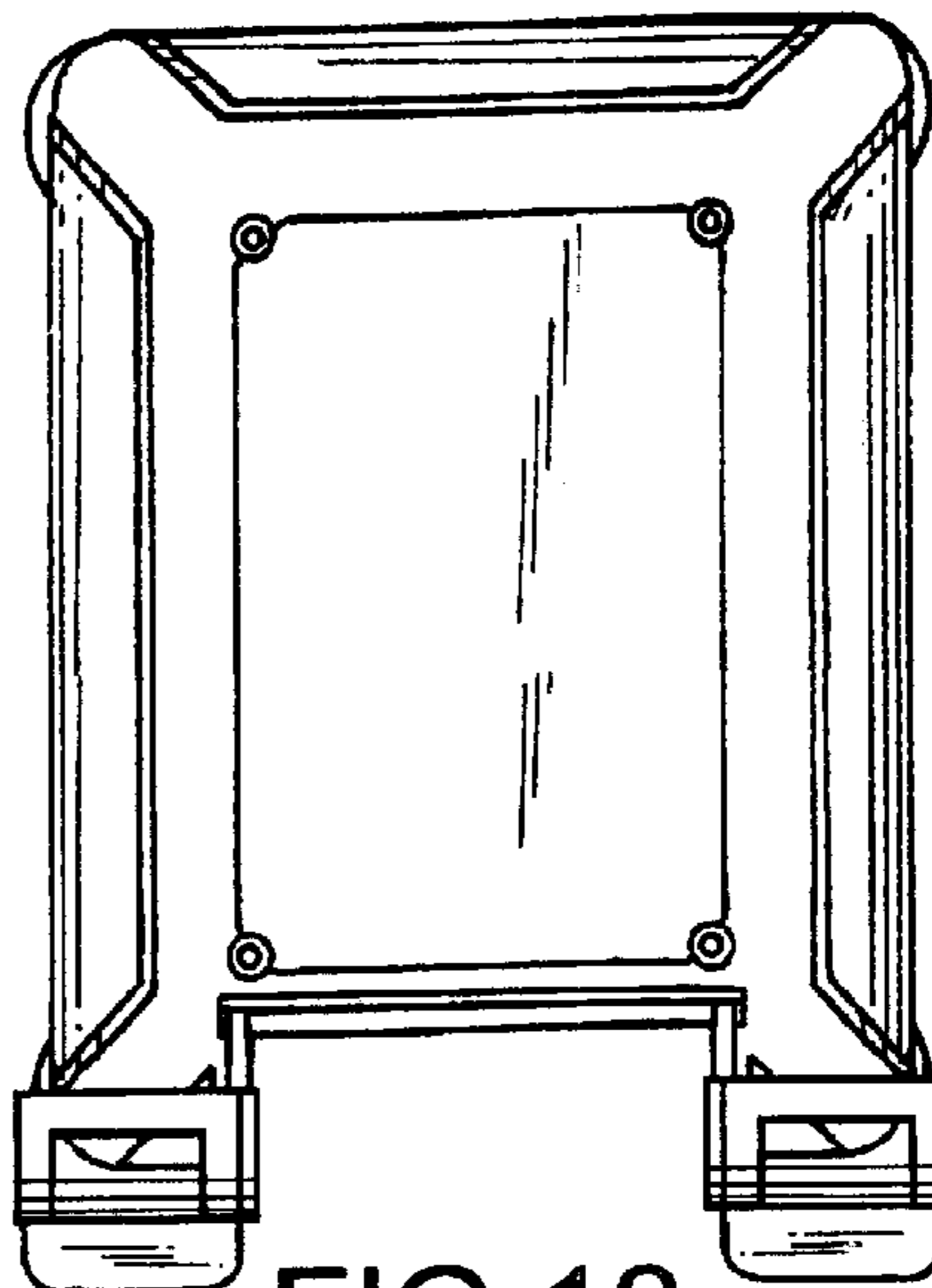


FIG. 13

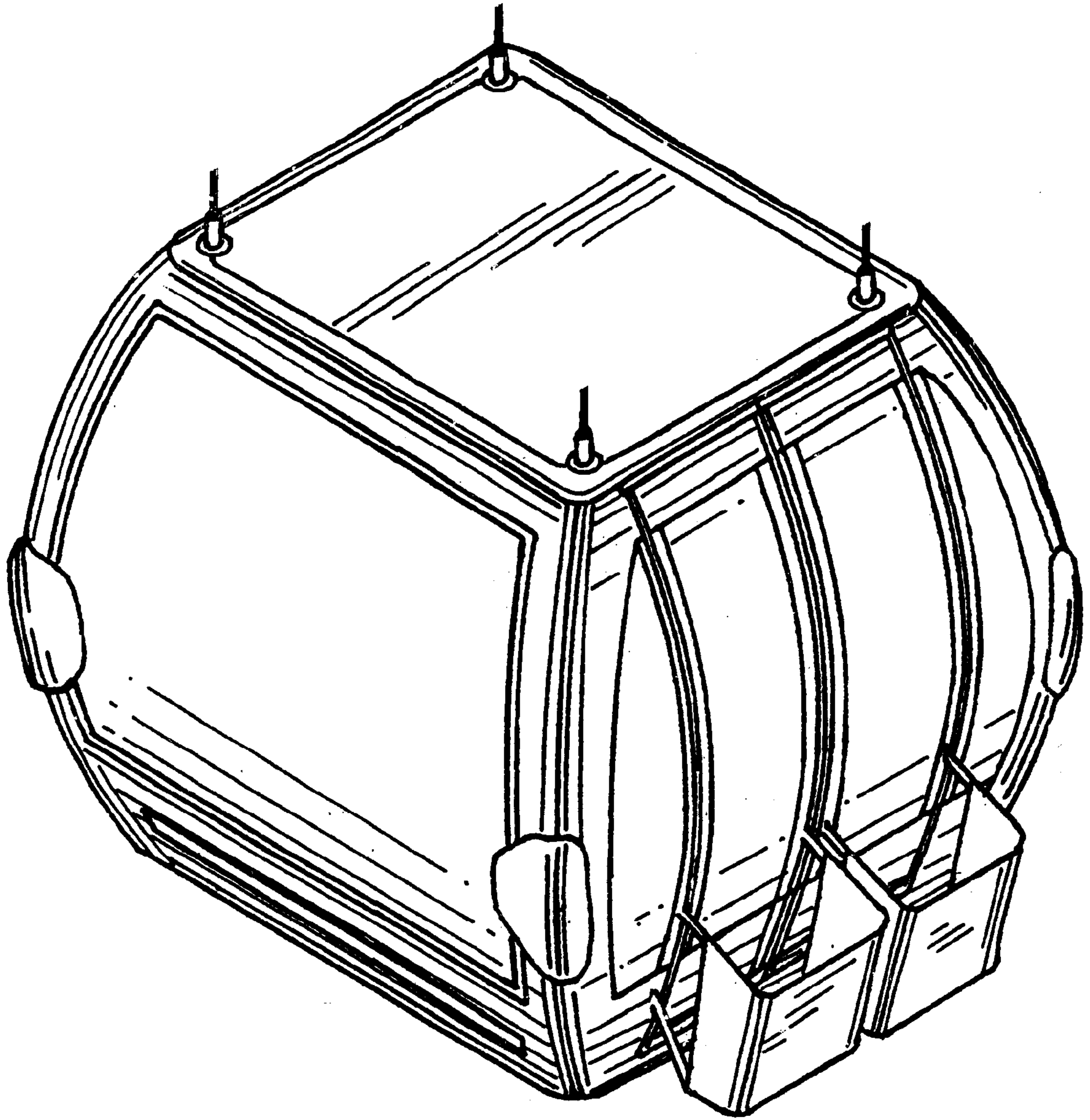


FIG.14