



US00D479149S

(12) **United States Design Patent**
Degl'Innocenti et al.

(10) **Patent No.:** **US D479,149 S**

(45) **Date of Patent:** **** Sep. 2, 2003**

(54) **LINK FOR BRACELETS, NECKLACES AND RINGS**

(75) Inventors: **Luca Degl'Innocenti**, Florence (IT);
Renato Arditì, Florence (IT)

(73) Assignee: **Re Florence S.r.l.**, Lucca (IT)

(**) Term: **14 Years**

(21) Appl. No.: **29/162,684**

(22) Filed: **Jun. 19, 2002**

(30) **Foreign Application Priority Data**

Mar. 22, 2002 (IT) DM/059 411

(51) **LOC (7) Cl.** **11-01**

(52) **U.S. Cl.** **D11/93**

(58) **Field of Search** D11/1, 3-15, 18-20,
D11/22-25, 93; 63/3-4, 9, 21, 38; 59/79.1,
79.3; D10/32; 24/71 R, 71 J, 68 E, 26 SWS,
69 J

(56) **References Cited**

U.S. PATENT DOCUMENTS

2,074,287 A * 3/1937 Tavani D11/87

D171,744 S * 3/1954 Augenstein D11/25
D340,871 S * 11/1993 Iwamura D10/32
D353,347 S * 12/1994 Dizier D11/94
D404,678 S * 1/1999 Baschmakoff D11/12

* cited by examiner

Primary Examiner—Ralf Seifert

(74) *Attorney, Agent, or Firm*—Steinberg & Raskin, P.C.

(57) **CLAIM**

We claim the ornamental design for a link for bracelets, necklaces and rings, as shown and described.

DESCRIPTION

FIG. 1 is a perspective view of the link for bracelets, necklaces and rings according to the claimed design;

FIG. 2 is a plan view from the top;

FIG. 3 is a right side view thereof;

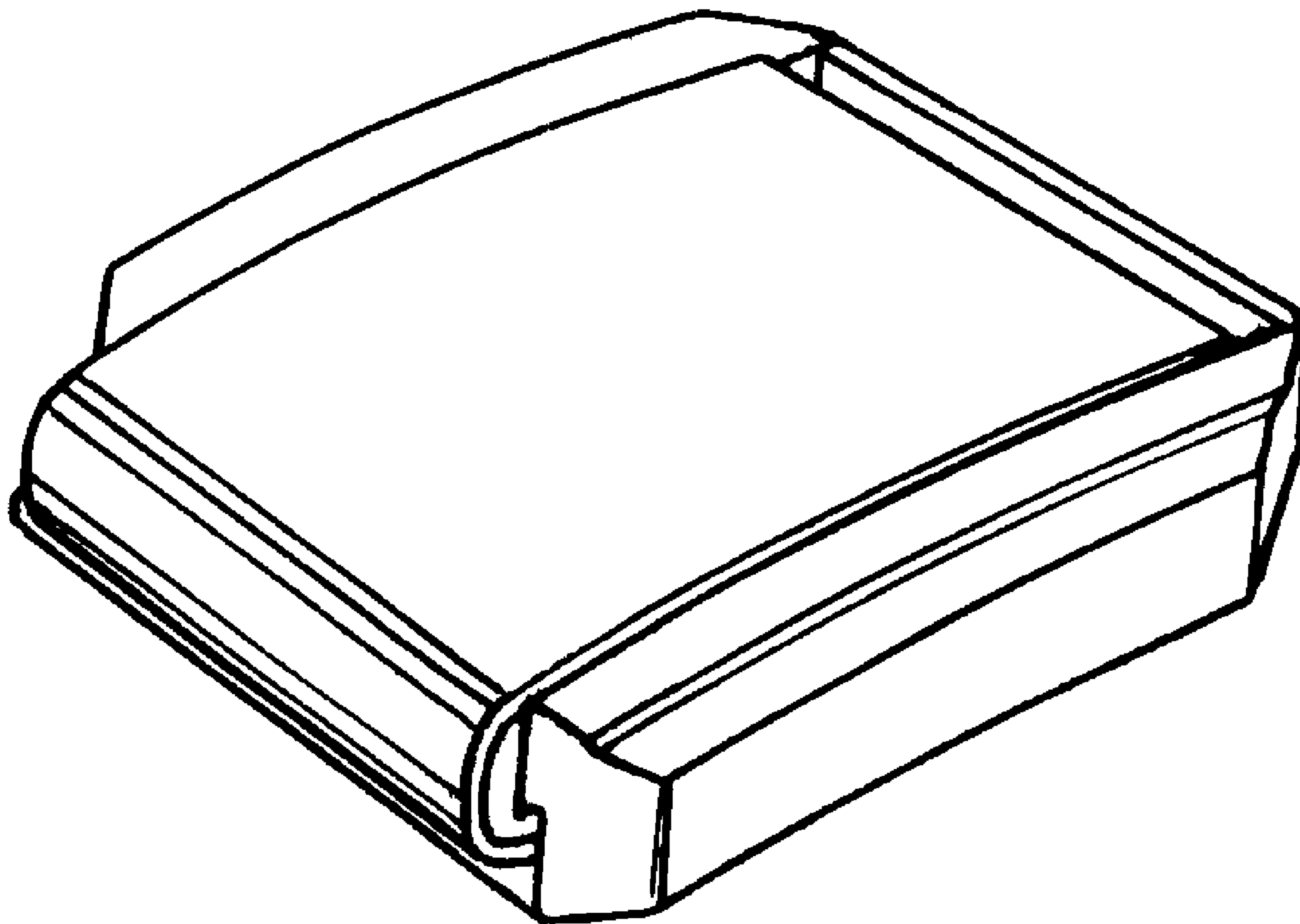
FIG. 4 is a front view thereof;

FIG. 5 is a rear view thereof;

FIG. 6 is a left side view thereof; and,

FIG. 7 is a plan view from the bottom.

1 Claim, 1 Drawing Sheet



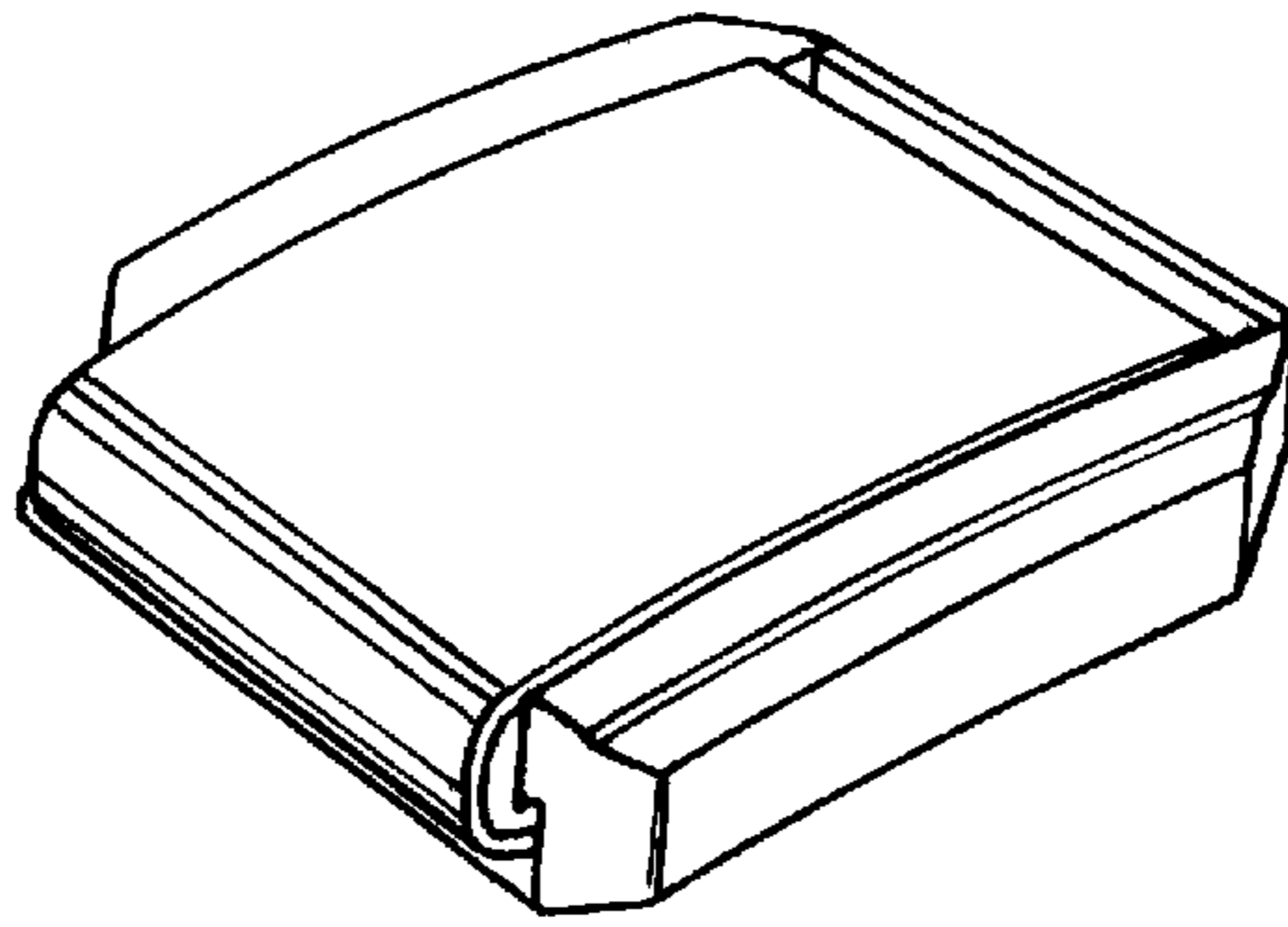


FIG. 1

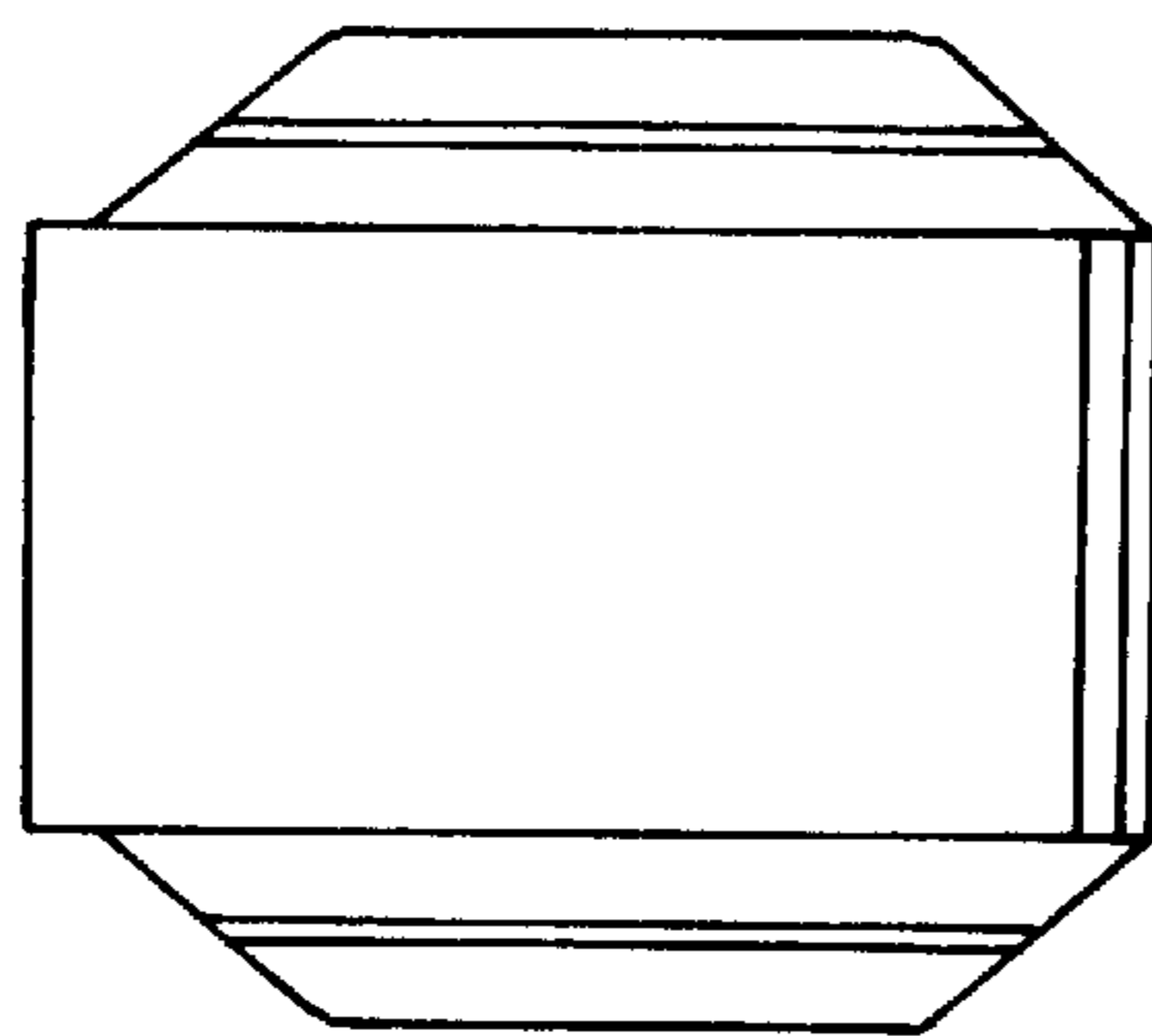


FIG. 2

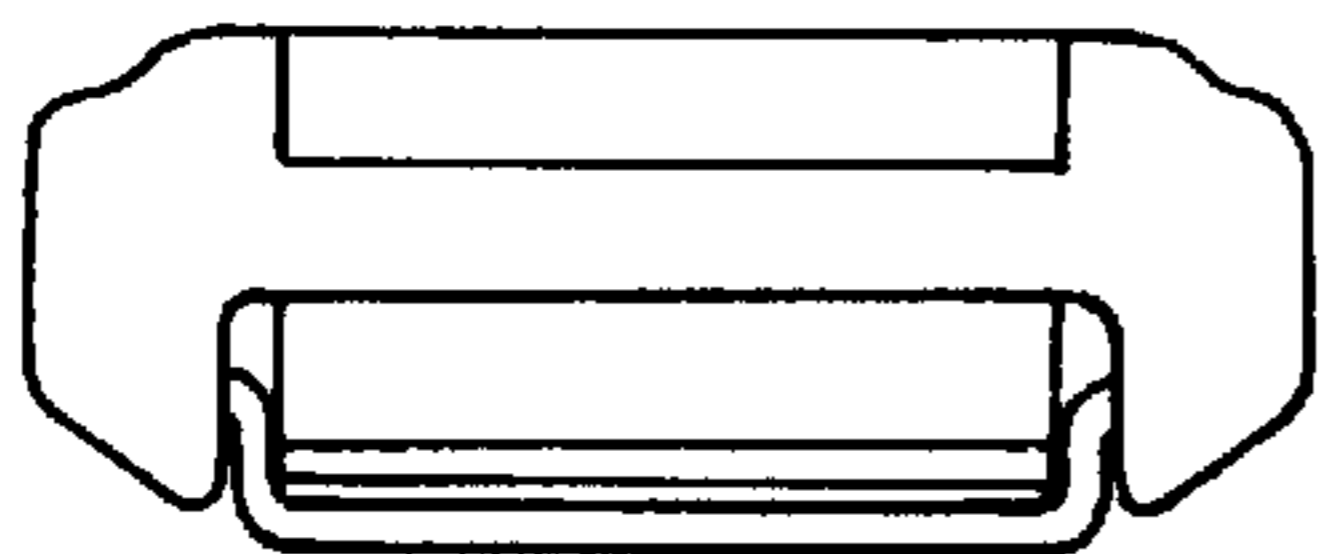


FIG. 3

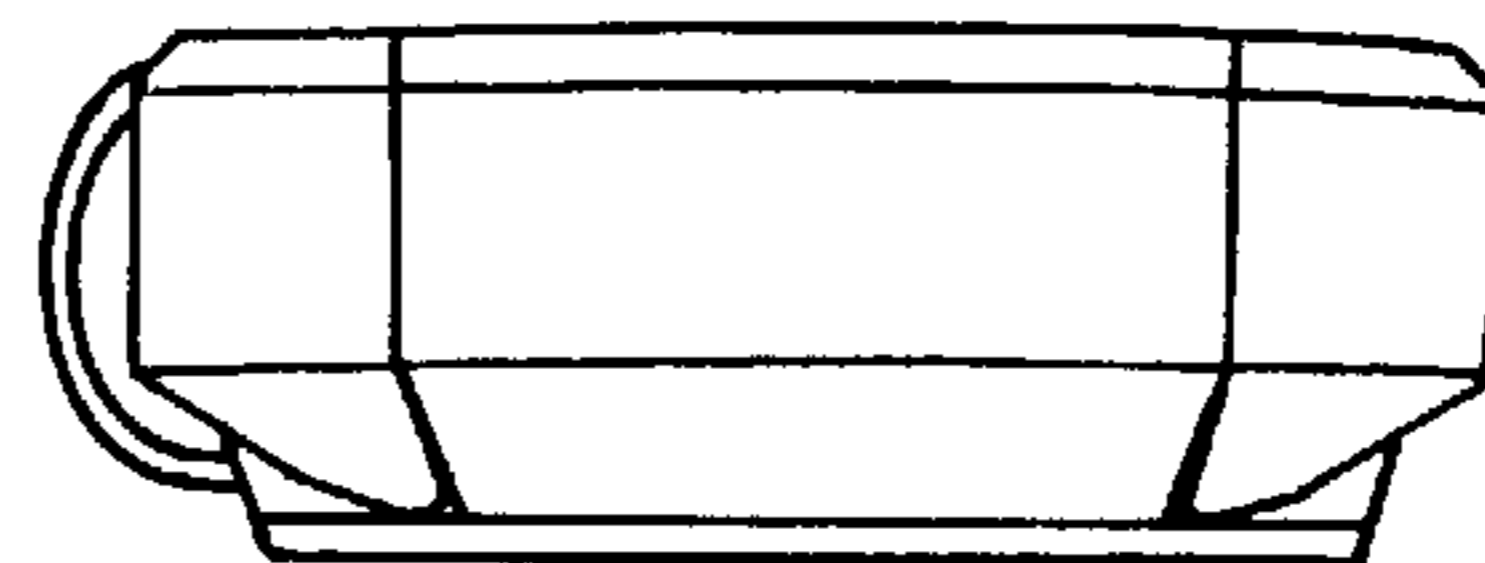


FIG. 4

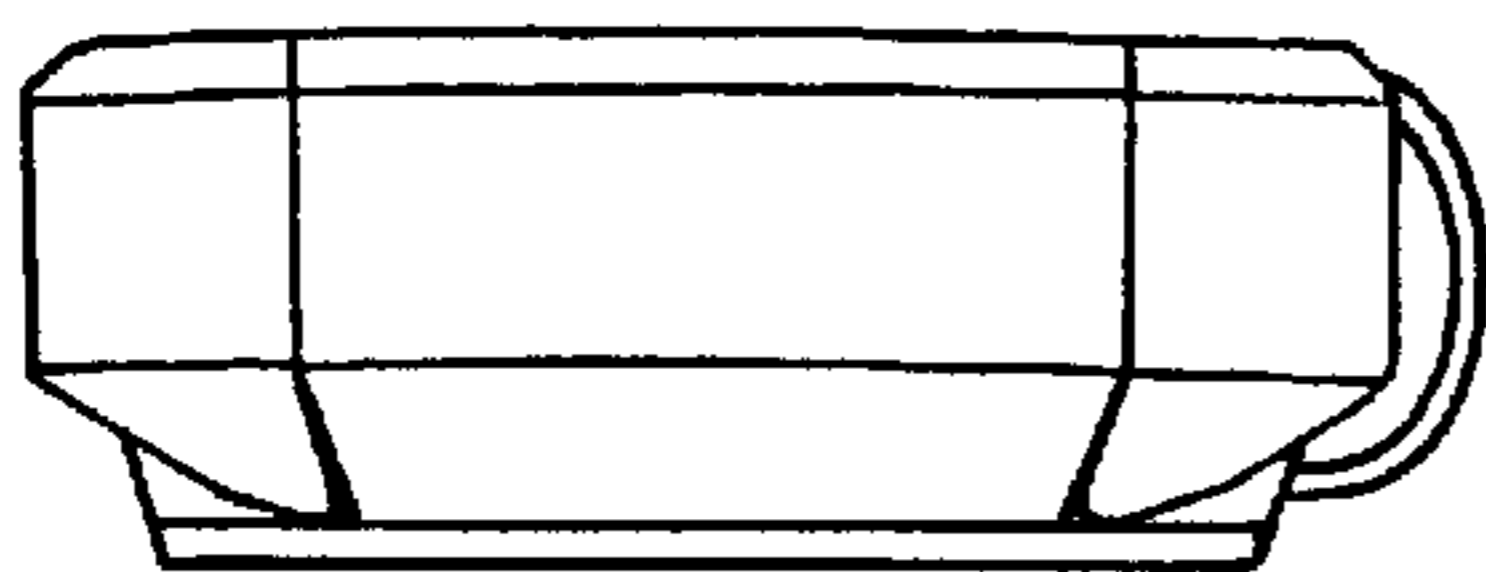


FIG. 5

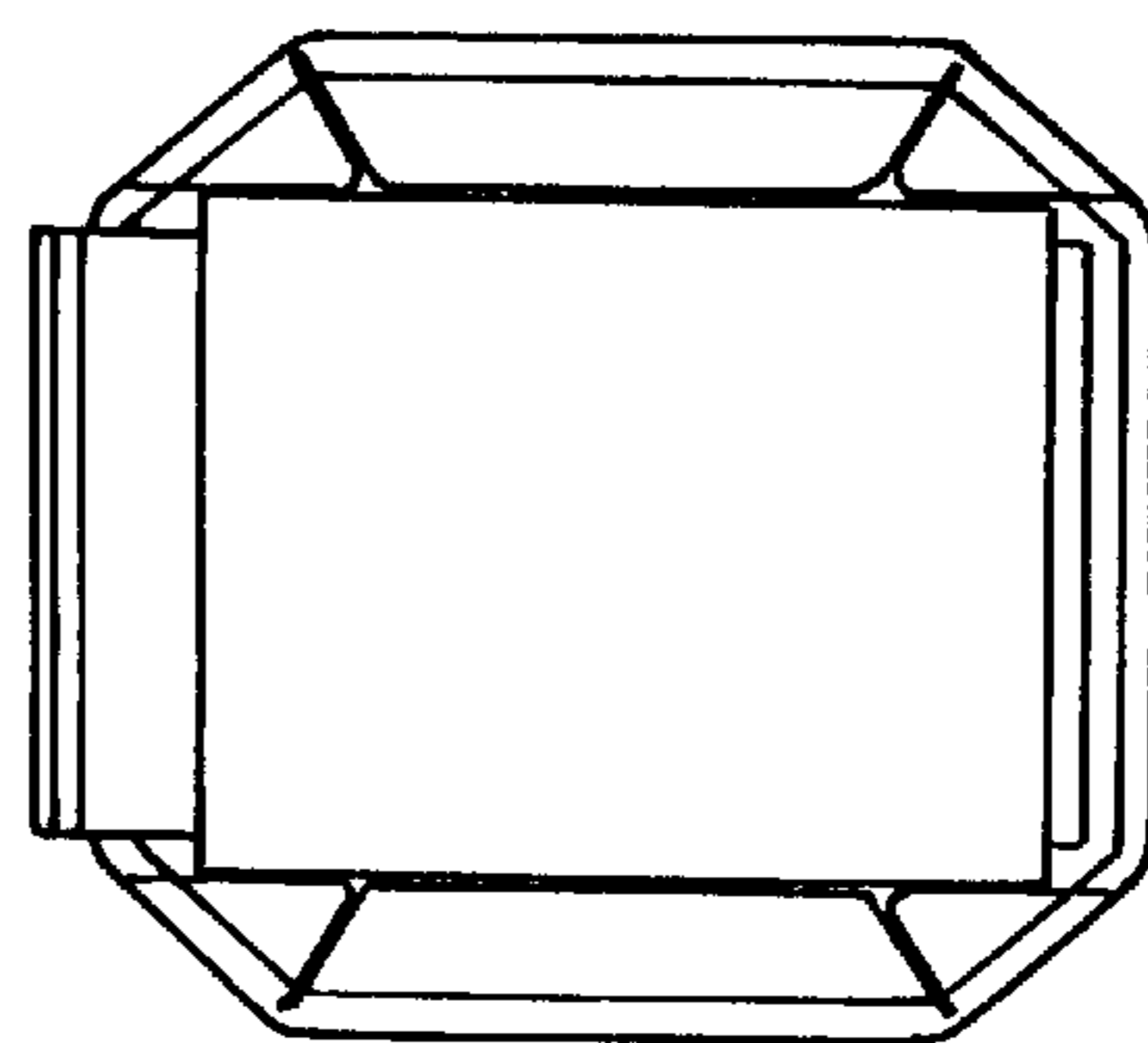


FIG. 7

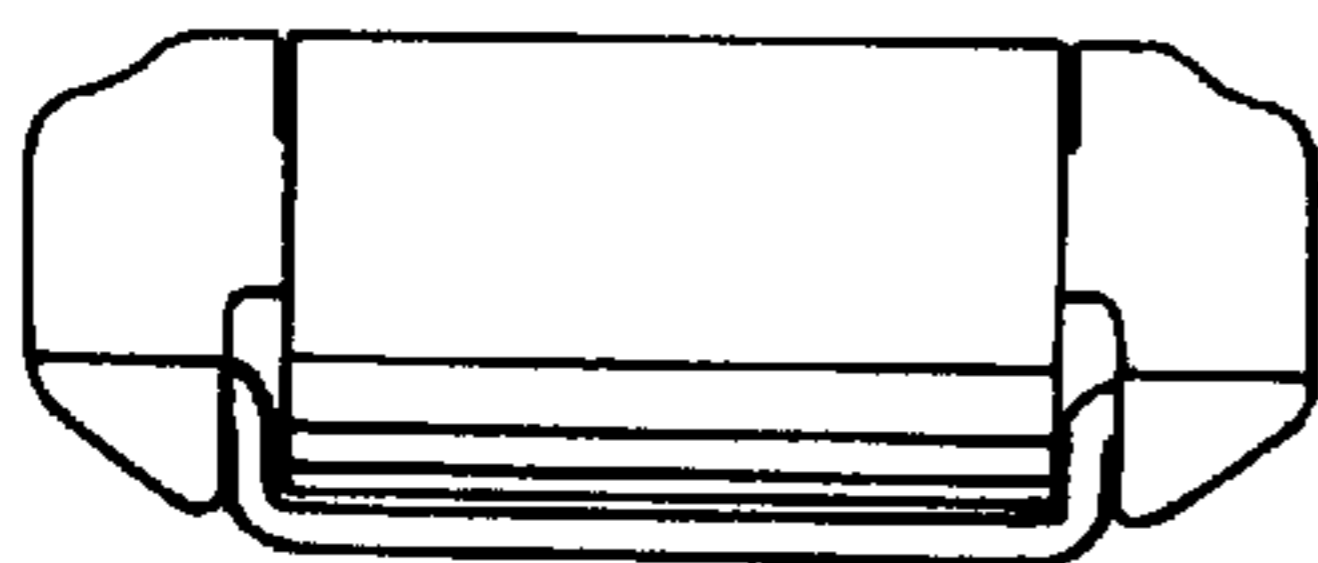


FIG. 6