



US00D479141S

(12) **United States Design Patent**
Pezzetta

(10) **Patent No.:** **US D479,141 S**

(45) **Date of Patent:** **** Sep. 2, 2003**

(54) **ELECTRONIC SCALE**

(75) **Inventor:** **Roberto Pezzetta**, Roveredo in Piano (IT)

(73) **Assignee:** **Fratelli Guzzini S.p.A.**, Recanati-Macerata (IT)

(**) **Term:** **14 Years**

(21) **Appl. No.:** **29/172,305**

(22) **Filed:** **Dec. 10, 2002**

(30) **Foreign Application Priority Data**

Jun. 14, 2002 (IT) MI2002O0412

(51) **LOC (7) Cl.** **10-04**

(52) **U.S. Cl.** **D10/93**

(58) **Field of Search** D10/93; 177/238-245

(56) **References Cited**

U.S. PATENT DOCUMENTS

D262,694 S * 1/1982 Solomon D10/93

4,576,244 A * 3/1986 Zeigner et al. 177/245
4,923,024 A * 5/1990 Ferrer et al. 177/245
D376,325 S * 12/1996 Blauch et al. D10/93 X
6,222,137 B1 * 4/2001 Handford 177/126

* cited by examiner

Primary Examiner—Antoine Duval Davis
(74) *Attorney, Agent, or Firm*—Hedman & Costigan, P.C.

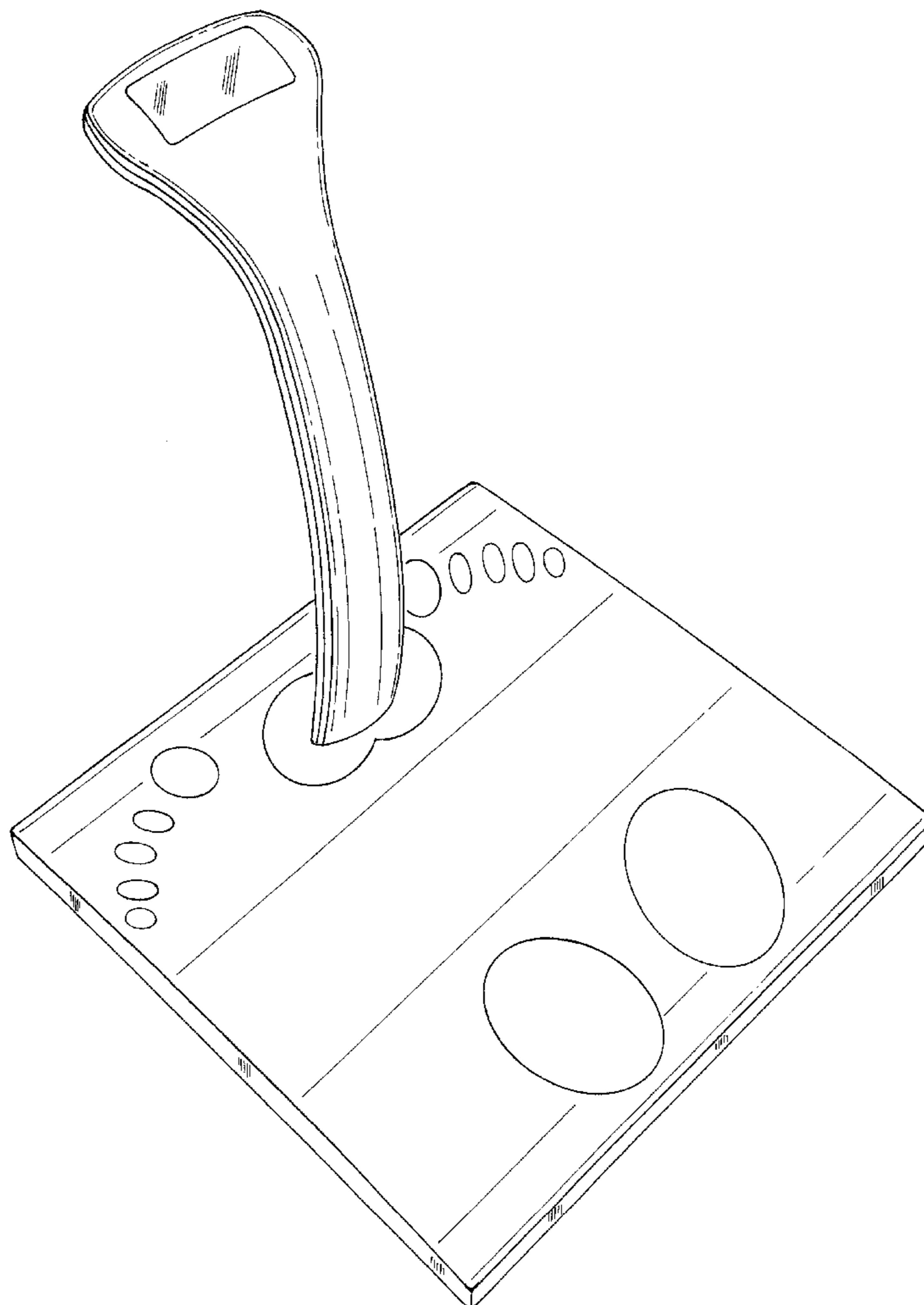
(57) **CLAIM**

The ornamental design for an electronic scale, as shown and described.

DESCRIPTION

FIG. 1 is a perspective view of an electronic scale, showing my new design;
FIG. 2 is a top view thereof;
FIG. 3 is a front view thereof; and,
FIG. 4 is a side view thereof.

1 Claim, 4 Drawing Sheets



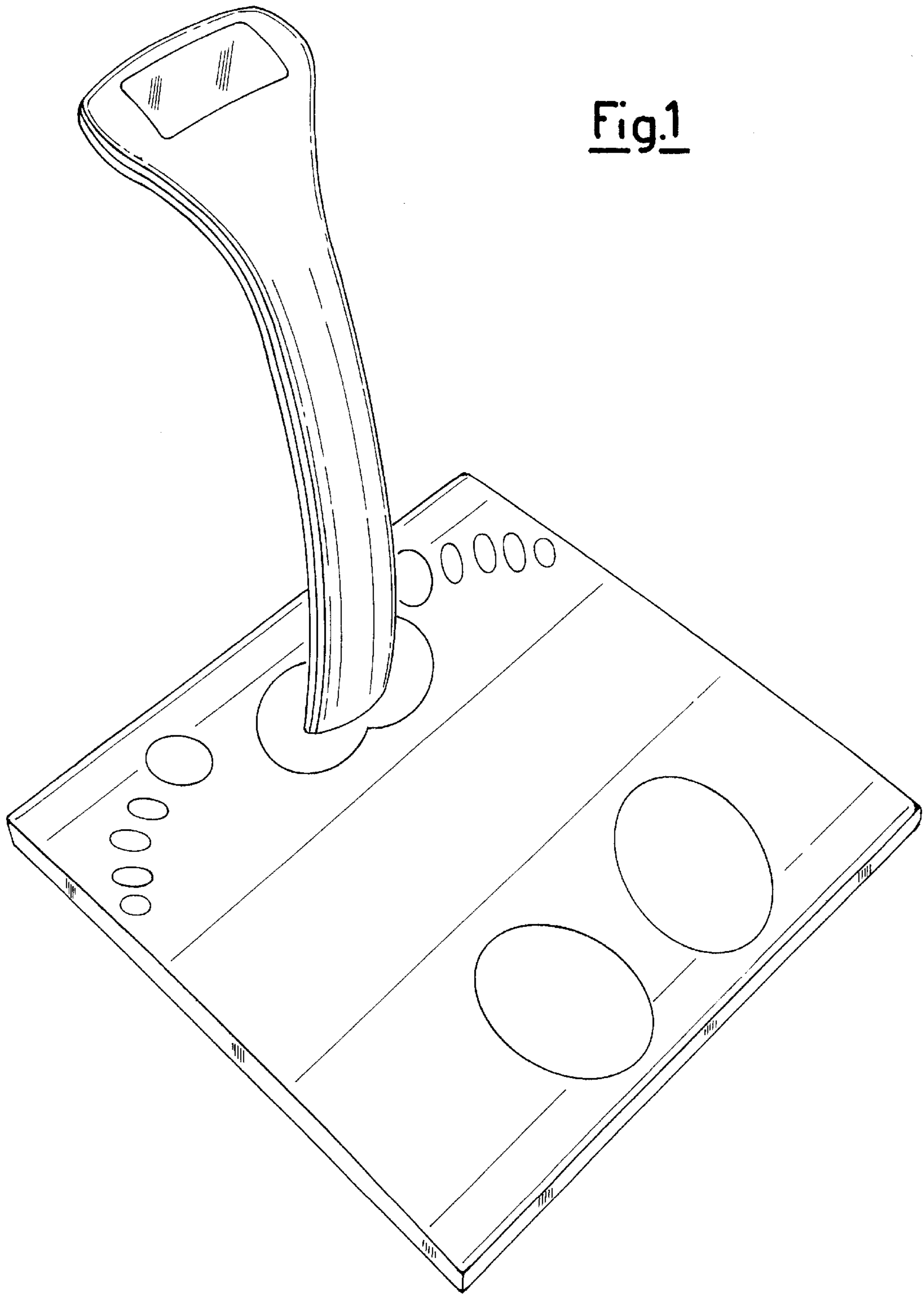
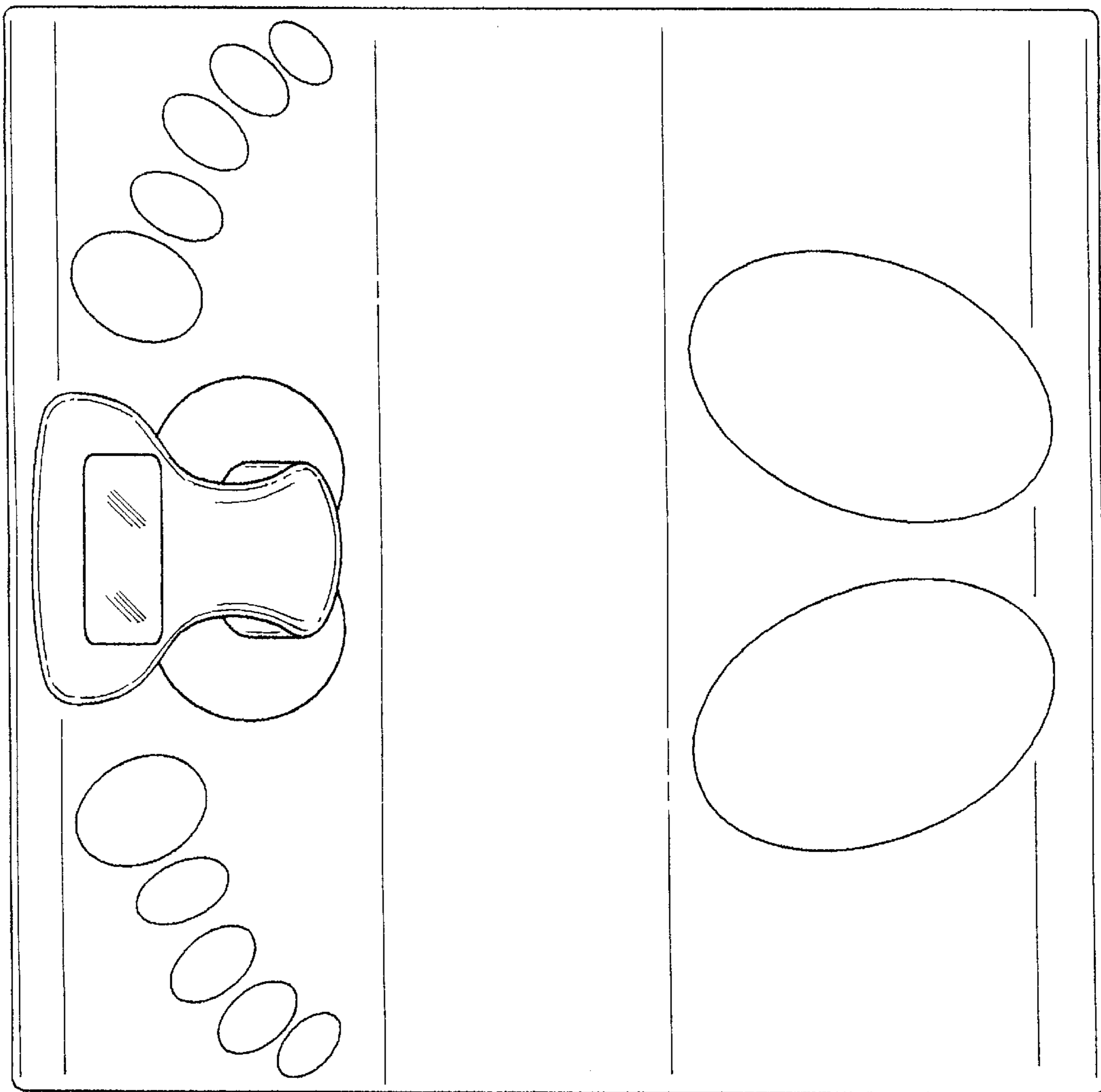


Fig.1

Fig. 2



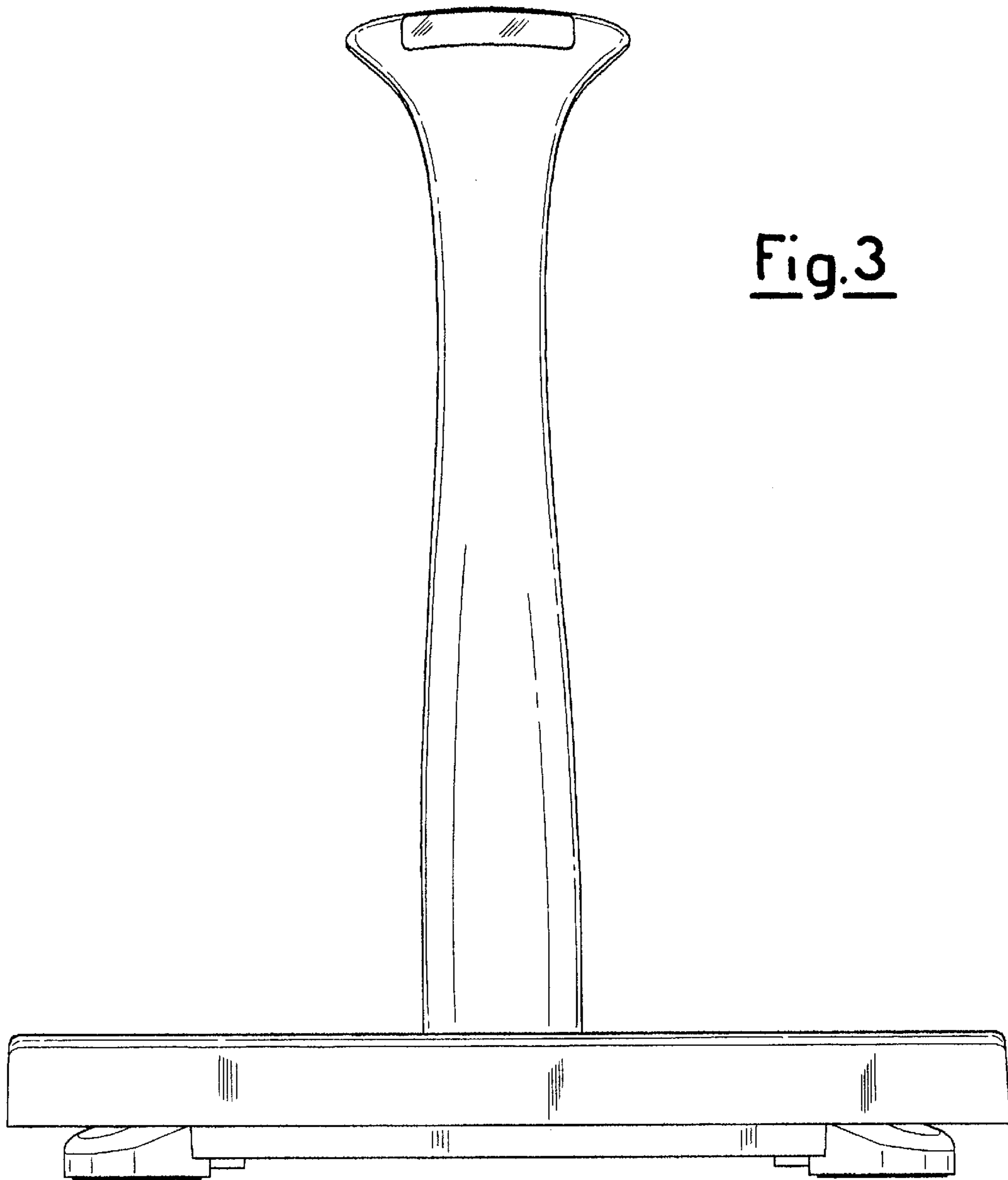


Fig.3

Fig. 4

