



US00D479133S

(12) **United States Design Patent** (10) **Patent No.:** **US D479,133 S**
Quintero (45) **Date of Patent:** **** Sep. 2, 2003**

(54) **FRAGRANCE BOTTLE AND CAP DESIGN**

D432,428 S * 10/2000 Barbagli D9/545
D448,676 S * 10/2001 Jones et al. D9/542

(76) Inventor: **Norma A. Quintero**, 4821 Pine Tree Dr., Miami Beach, FL (US) 33140

FOREIGN PATENT DOCUMENTS

(**) Term: **14 Years**

GB 2024133 * 7/1992

* cited by examiner

(21) Appl. No.: **29/164,229**

Primary Examiner—Ted Shooman

(22) Filed: **Jul. 19, 2002**

Assistant Examiner—Carol Rademaker

(51) **LOC (7) Cl.** **09-01**

(74) *Attorney, Agent, or Firm*—Malloy & Malloy, P.A.

(52) **U.S. Cl.** **D9/551; D9/557; D9/575**

(57) **CLAIM**

(58) **Field of Search** D9/500, 503, 516,
D9/333, 544–546, 549, 550–551, 557, 563–564,
569, 572, 574–575; D28/82, 85, 88, 90,
77, 89; 215/382–384, 396, 398, 400

The ornamental design for fragrance bottle and cap design,
as shown and described.

DESCRIPTION

(56) **References Cited**

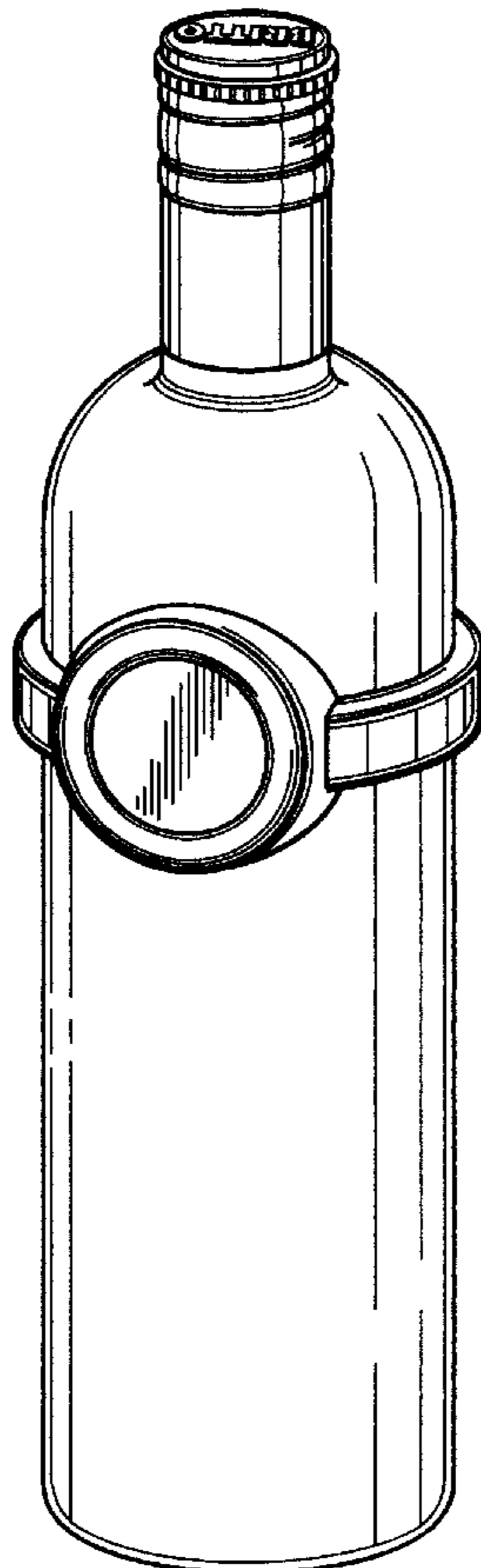
FIG. 1 is a front perspective view illustrating my design for
a fragrance bottle and cap design;
FIG. 2 is a front view of my design;
FIG. 3 is a left side view of my design;
FIG. 4 is a top view of my design;
FIG. 5 is a right side view of my design;
FIG. 6 is a bottom view of my design; and,
FIG. 7 is a rear view of my design.

U.S. PATENT DOCUMENTS

The broken line showing in FIG. 6 is for environmental
purposes only and forms no part of the claimed design.

- D210,501 S * 3/1968 Brammer D9/563
- D210,514 S * 3/1968 Brammer D9/550
- D242,125 S * 11/1976 Torres D9/545
- D280,140 S * 8/1985 Bakic D28/85
- D298,472 S * 11/1988 Simonetti D28/85
- D303,301 S * 9/1989 McCready D28/85
- D323,113 S * 1/1992 Middleton D9/563
- D344,236 S * 2/1994 Drounau D9/545
- D346,743 S * 5/1994 Cazaudehore D9/551 X

1 Claim, 2 Drawing Sheets



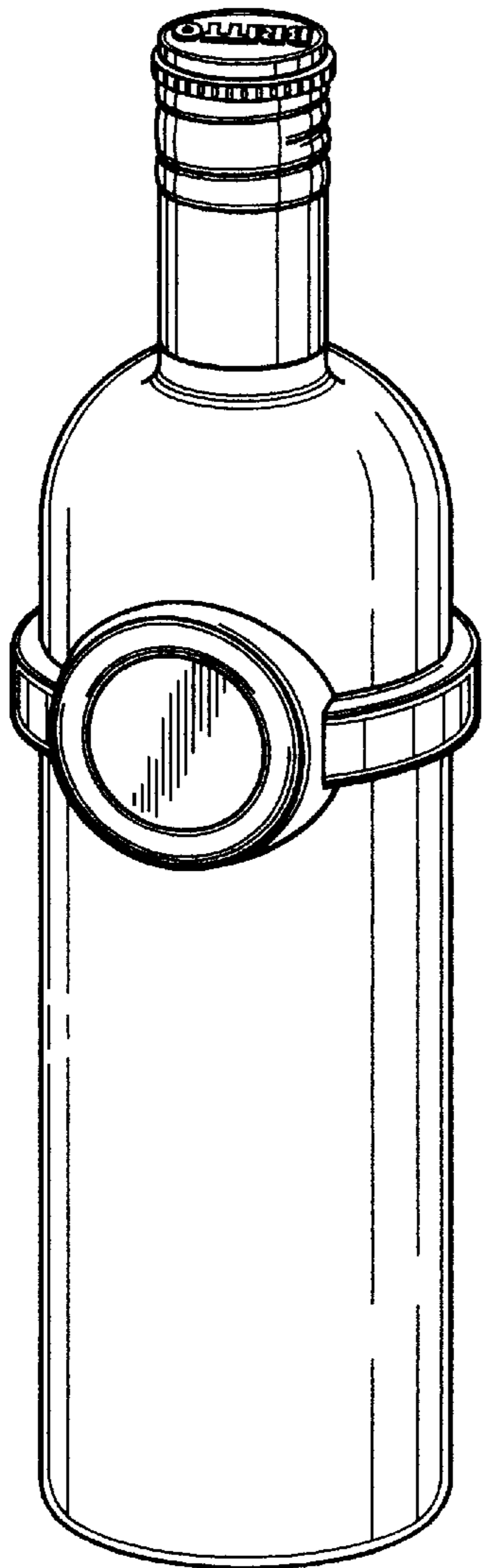


FIG. 1

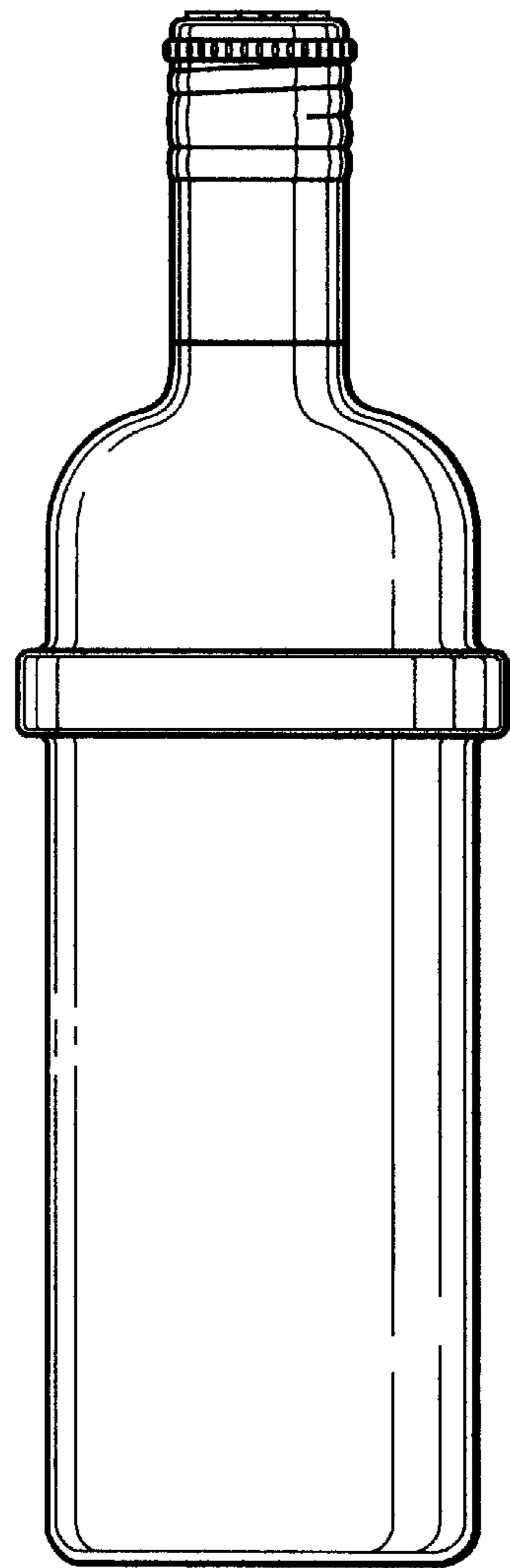


FIG. 7

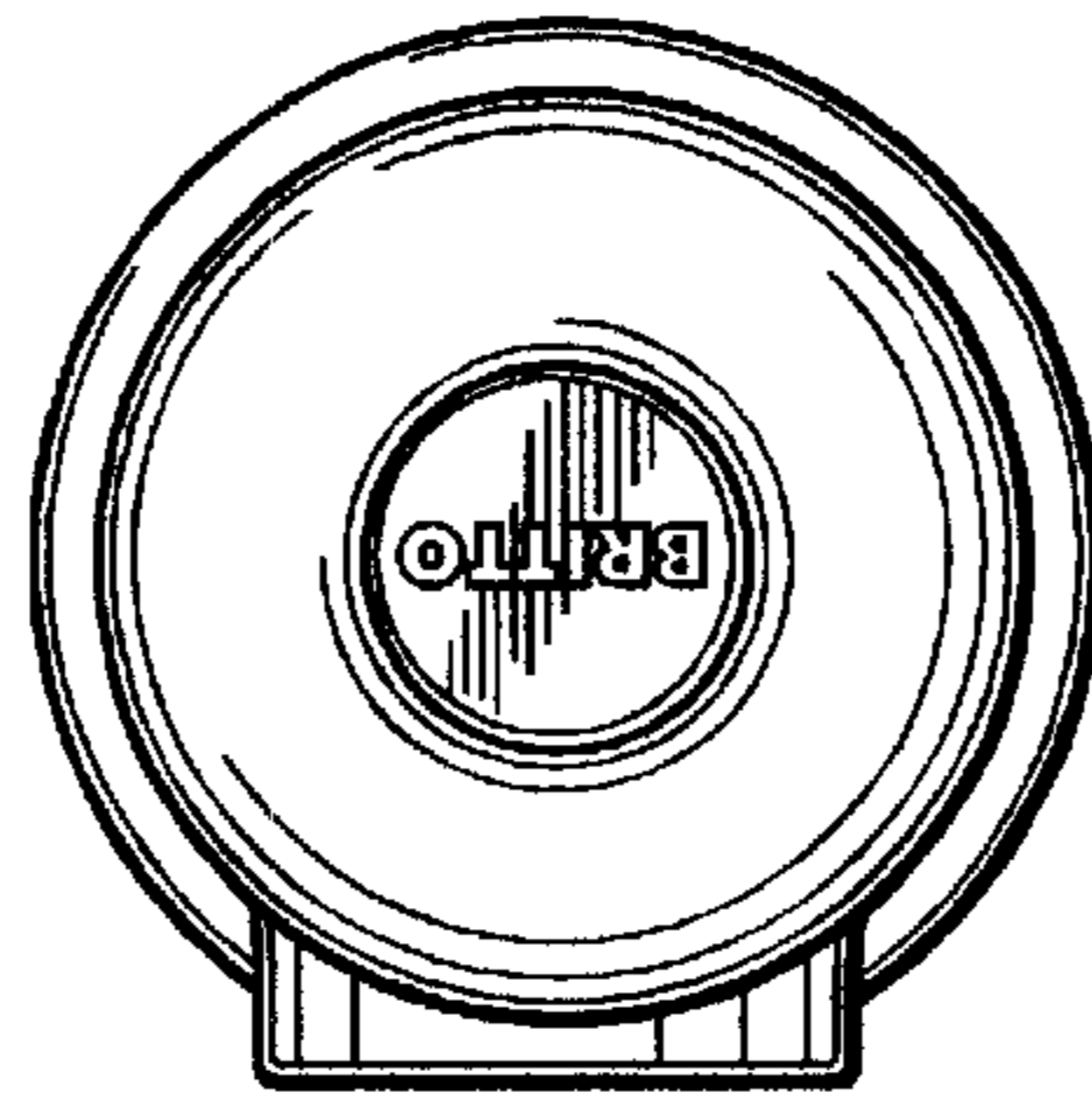


FIG. 4

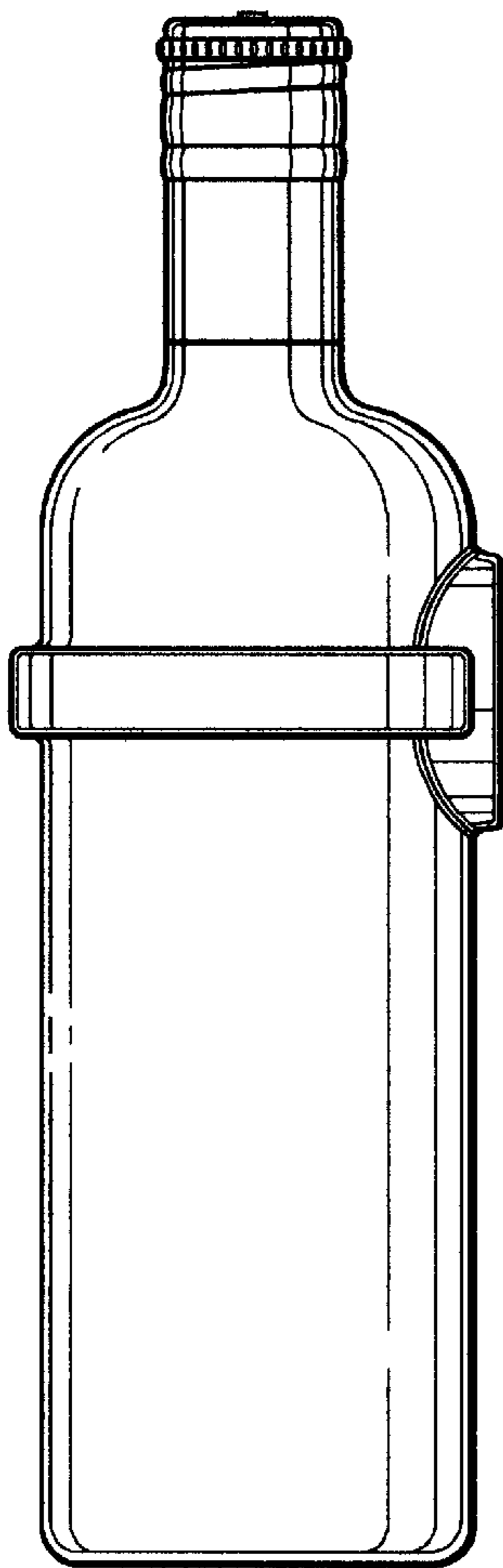


FIG. 3

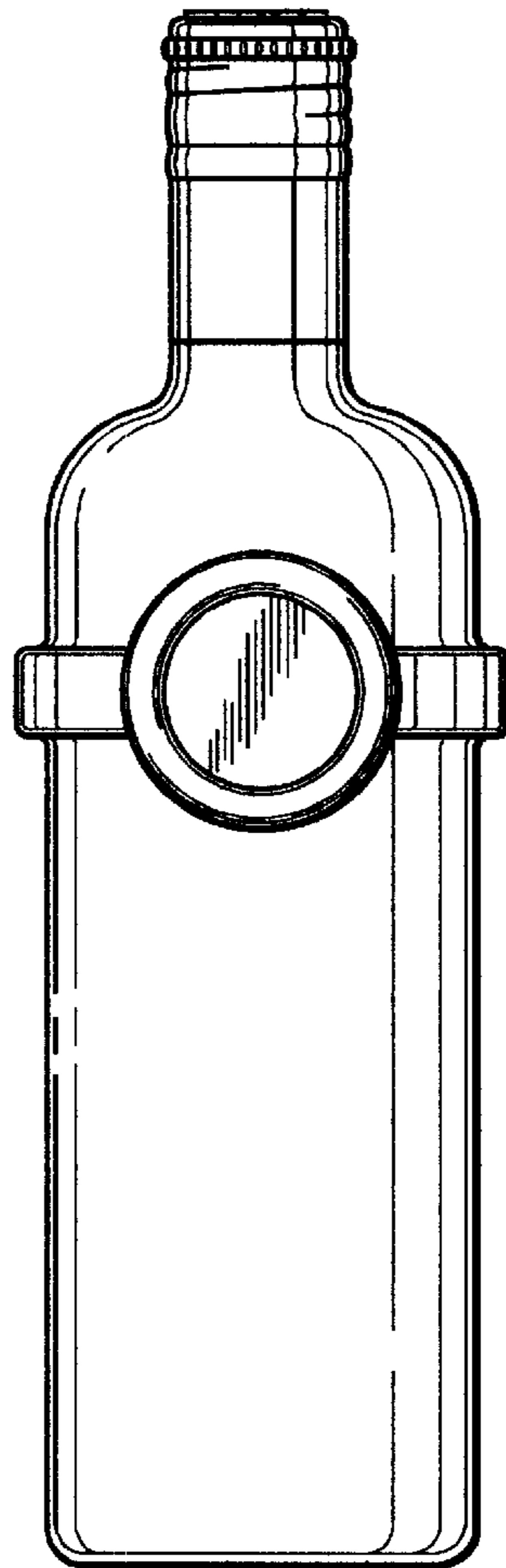


FIG. 2

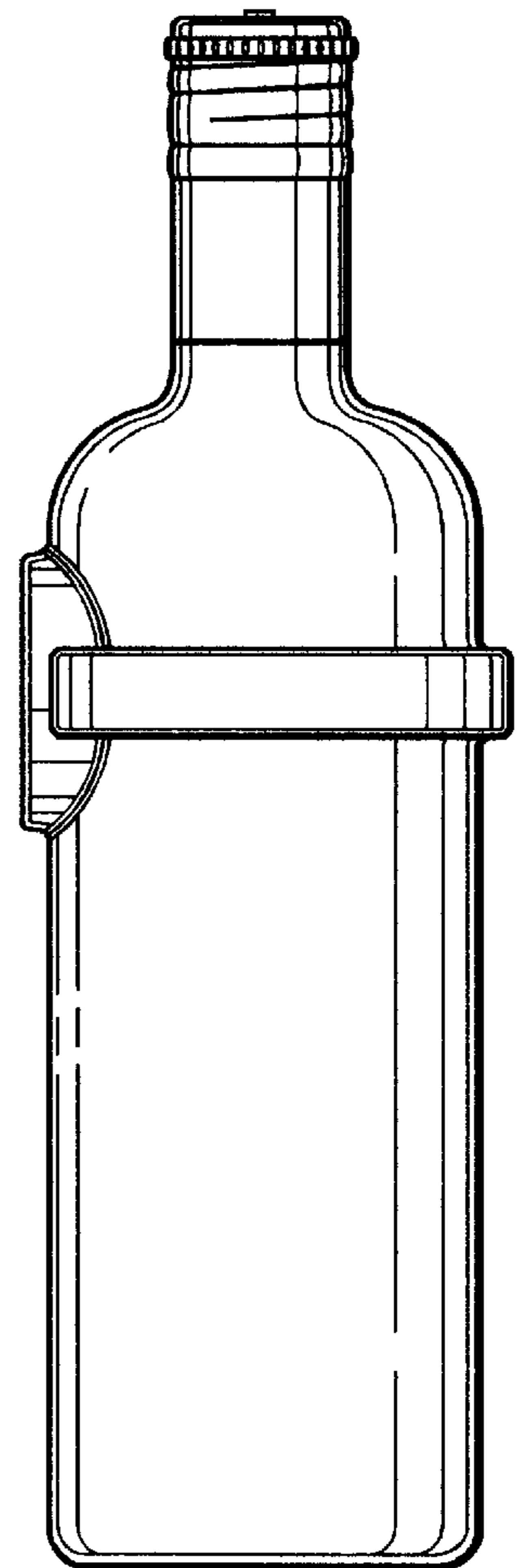


FIG. 5

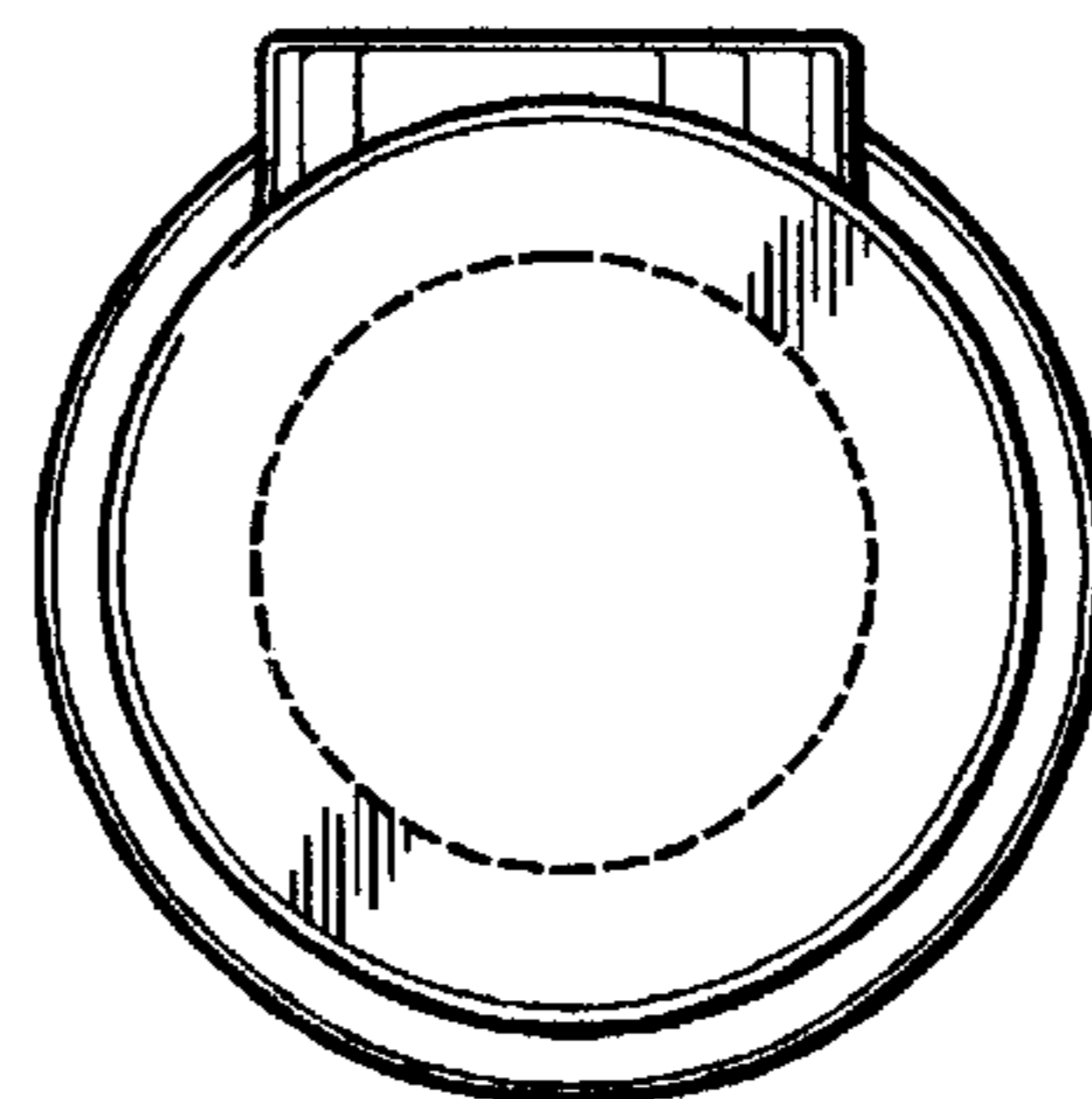


FIG. 6