



US00D479124S

(12) **United States Design Patent**
Pope

(10) **Patent No.:** **US D479,124 S**

(45) **Date of Patent:** **** Sep. 2, 2003**

(54) **ORNAMENTAL CONTAINER**

D462,261 S * 9/2002 Davis D9/307

(76) Inventor: **Judith A. Pope**, 11906 W. Stillwater
Dr., Boise, ID (US) 83704

* cited by examiner

(**) Term: **14 Years**

Primary Examiner—Sandra L. Morris

(74) *Attorney, Agent, or Firm*—Stephen M. Nipper; Frank
J. Dykas; Robert L. Shaver

(21) Appl. No.: **29/172,131**

(57) **CLAIM**

(22) Filed: **Dec. 4, 2002**

The ornamental design for an ornamental container, as
shown and described.

(51) **LOC (7) Cl.** **09-03**

DESCRIPTION

(52) **U.S. Cl.** **D9/307; D3/271**

(58) **Field of Search** D3/270–271; D9/307,
D9/339, 424–426; D11/149; 206/457, 527;
215/400

FIG. 1 is a perspective representational view of the orna-
mental container;

FIG. 2 is a top plan view, of the ornamental container;

FIG. 3 is a first side view of the ornamental container;

FIG. 4 is a bottom plan view of the ornamental container;

FIG. 5 is a second side view of the ornamental container;

FIG. 6 is a first end view of the ornamental container; and,

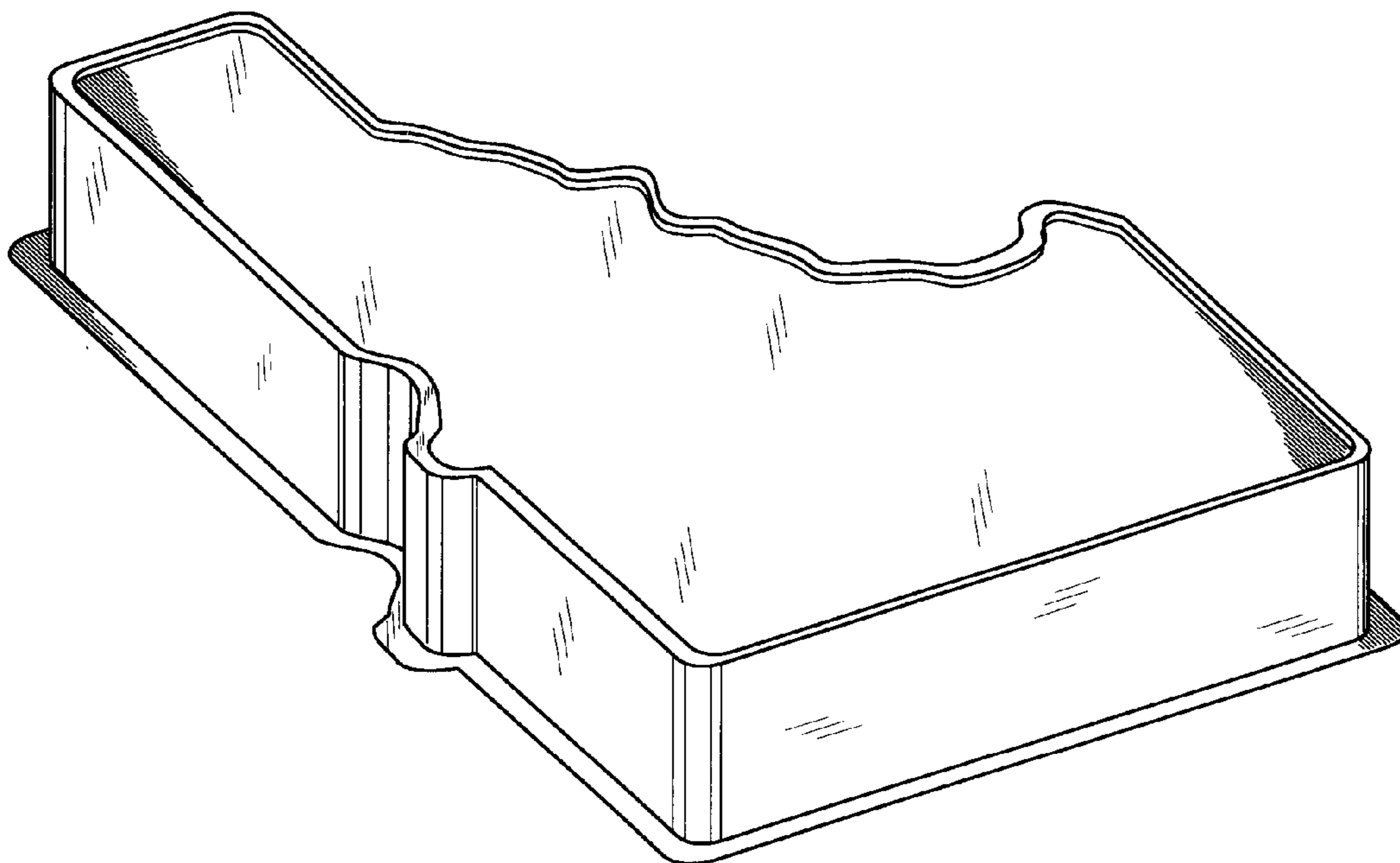
FIG. 7 is a second end view of the ornamental container.

(56) **References Cited**

U.S. PATENT DOCUMENTS

D265,866 S * 8/1982 Levin D3/271
D316,960 S * 5/1991 Wilkerson D9/307
D334,138 S * 3/1993 Larsen D9/307

1 Claim, 6 Drawing Sheets



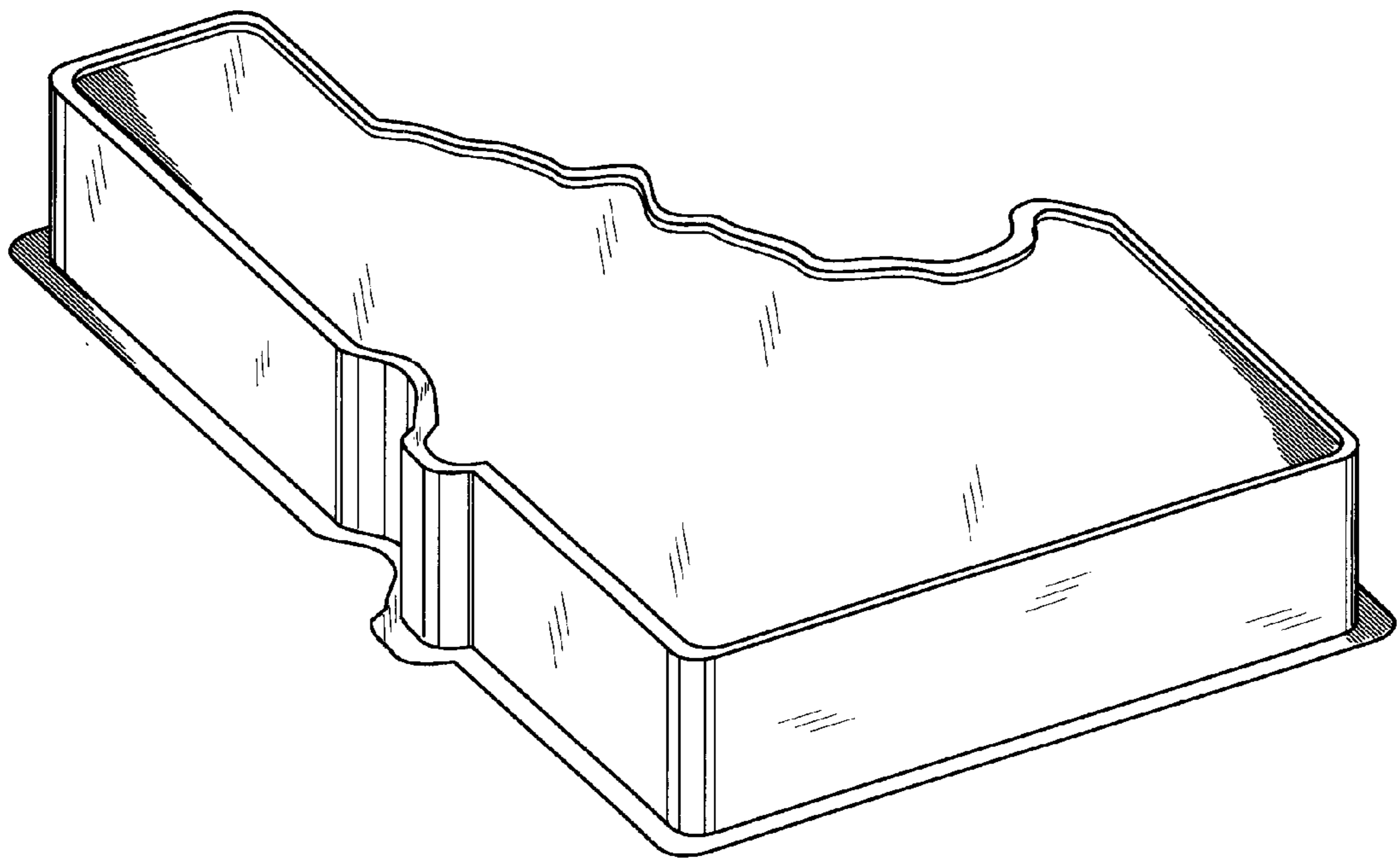


FIG.1

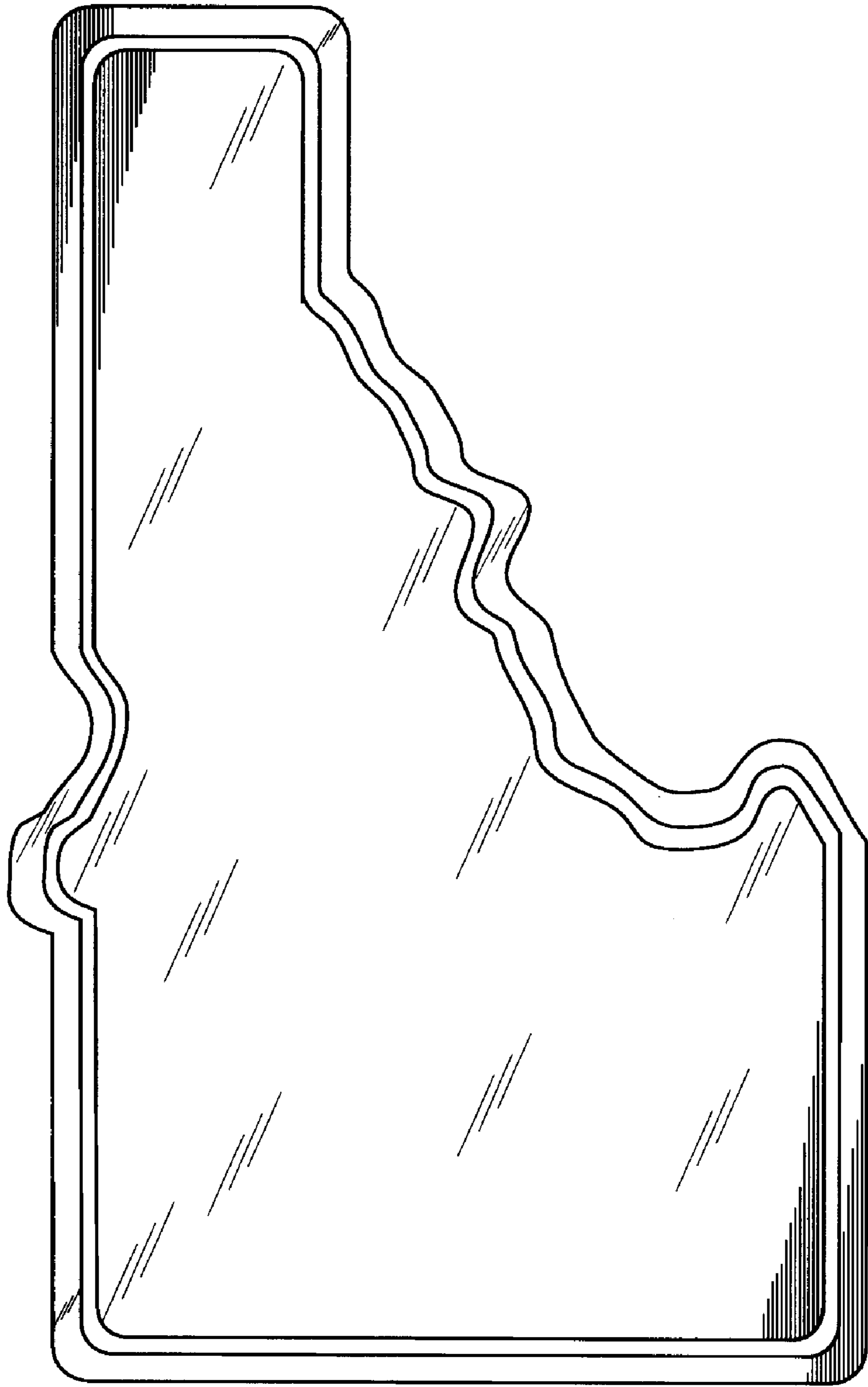


Fig. 2

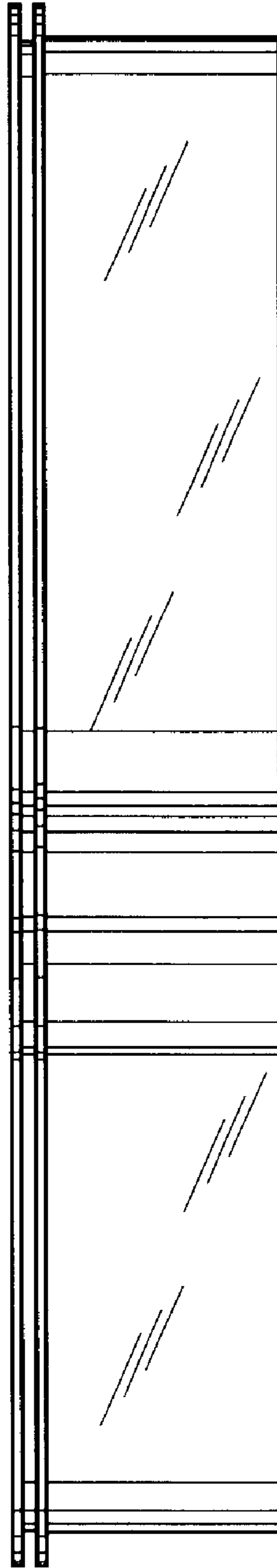


FIG. 3

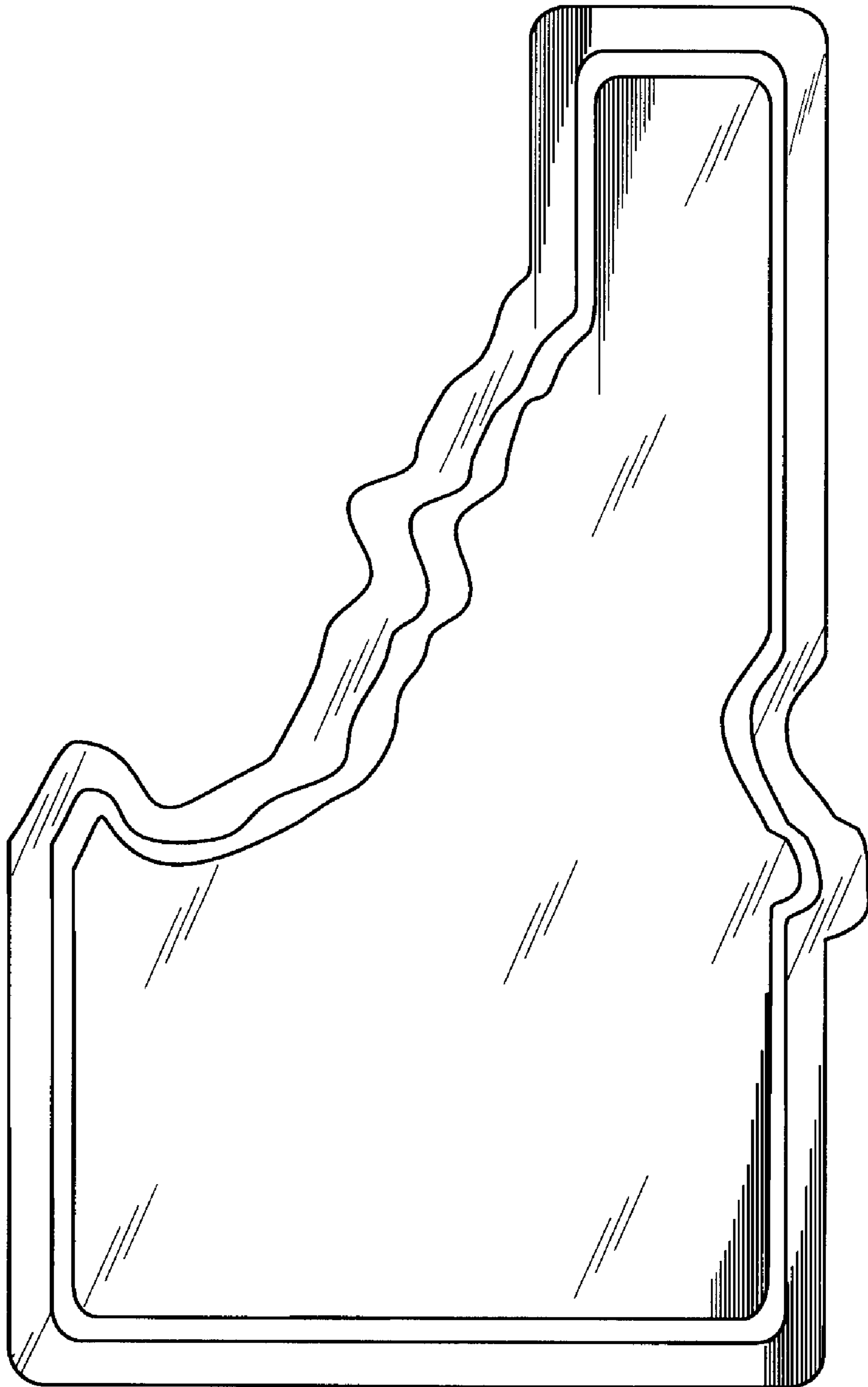


FIG. 4

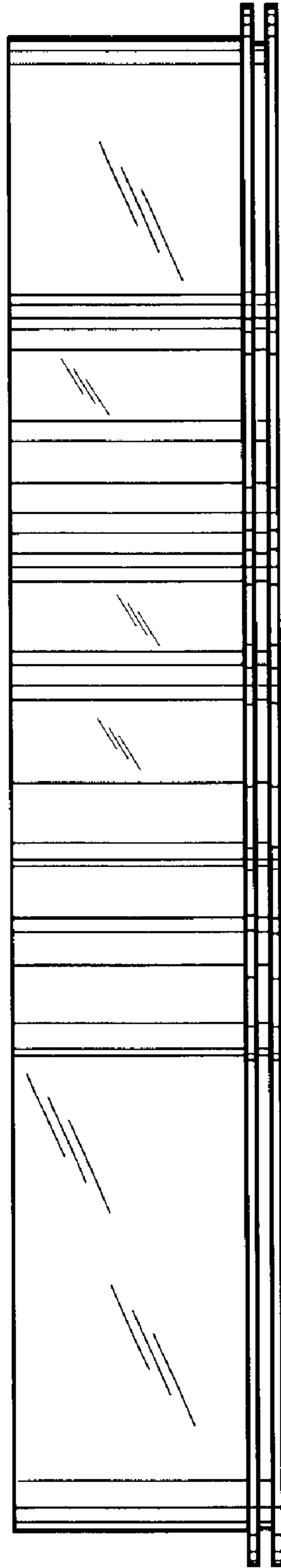


FIG. 5

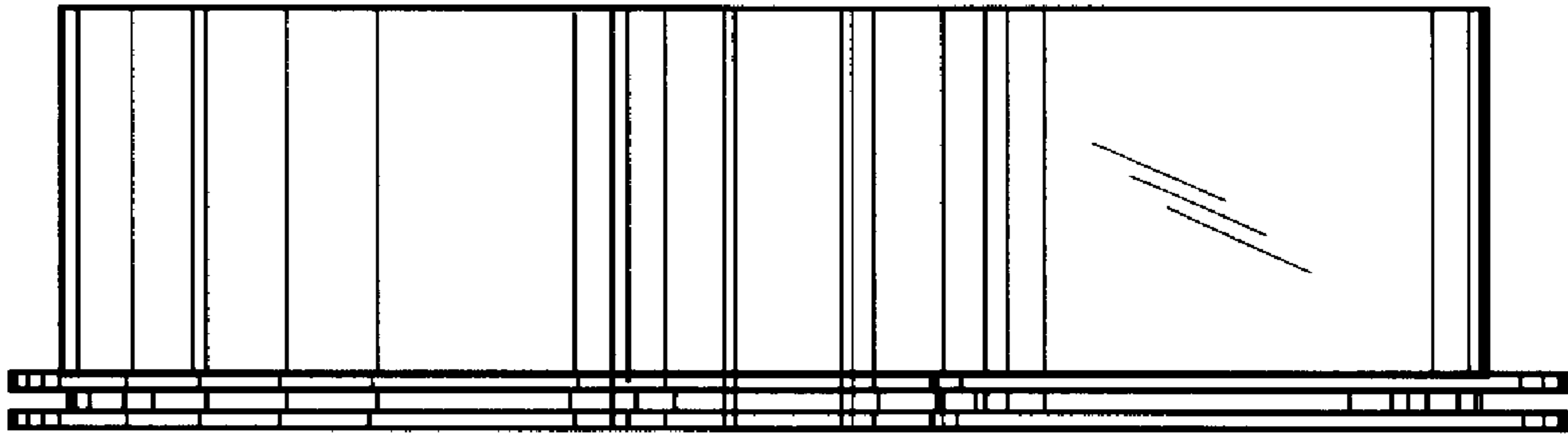


FIG. 6

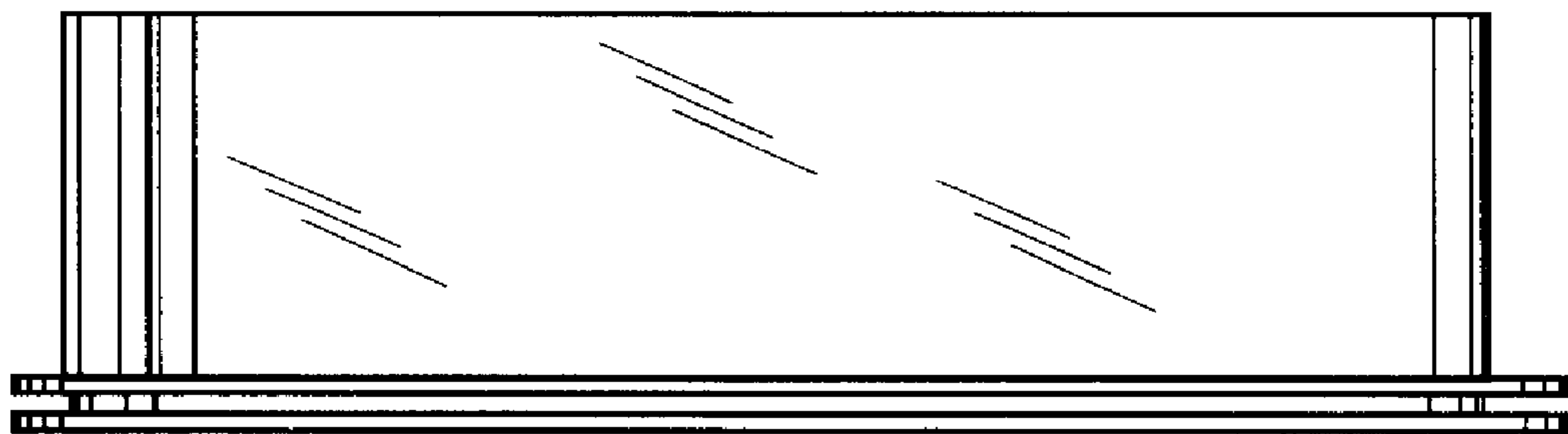


FIG. 7