



US00D479121S

(12) **United States Design Patent**  
**Jurdens**

(10) **Patent No.:** **US D479,121 S**

(45) **Date of Patent:** **\*\* Sep. 2, 2003**

(54) **CLINCHED NUT DEVICE**

4,564,986 A \* 1/1986 Peterson ..... 29/33 K  
D452,140 S \* 12/2001 Shinjo et al. .... D8/397

(75) Inventor: **Karl Jurdens, Waterloo (CA)**

\* cited by examiner

(73) Assignee: **BES Tool & Die Ltd., Cambridge (CA)**

*Primary Examiner*—Robert M. Spear  
*Assistant Examiner*—Elizabeth A. Albert

(\*\*) Term: **14 Years**

(57) **CLAIM**

(21) Appl. No.: **29/171,318**

The ornamental design for a clinched nut device, as shown and described.

(22) Filed: **Nov. 21, 2002**

(30) **Foreign Application Priority Data**

**DESCRIPTION**

Nov. 20, 2002 (CA) ..... 101309

(51) **LOC (7) Cl.** ..... **08-08**

(52) **U.S. Cl.** ..... **D8/397**

(58) **Field of Search** ..... D8/349, 354, 355,  
D8/356, 373, 380, 382, 397, 399; 16/DIG. 37;  
70/232; 211/86.01; 411/172, 173, 175, 177,  
179, 205, 222, 230, 432, 533, 931, 184,  
967, 968; 296/100.04, 100.17; D12/223

FIG. 1 is a perspective view from the top of the clinched nut device showing my new design;  
FIG. 2 is a perspective view from the bottom thereof;  
FIG. 3 is an elevation view of an end thereof;  
FIG. 4 is a top view thereof, the opposite side being a mirror image; and,  
FIG. 5 is an elevation view of a side thereof, the opposite side being a mirror image.  
The end opposite to that shown in FIG. 3 of the drawing is understood to be broken away as shown in FIGS. 1, 2, 4, and 5.

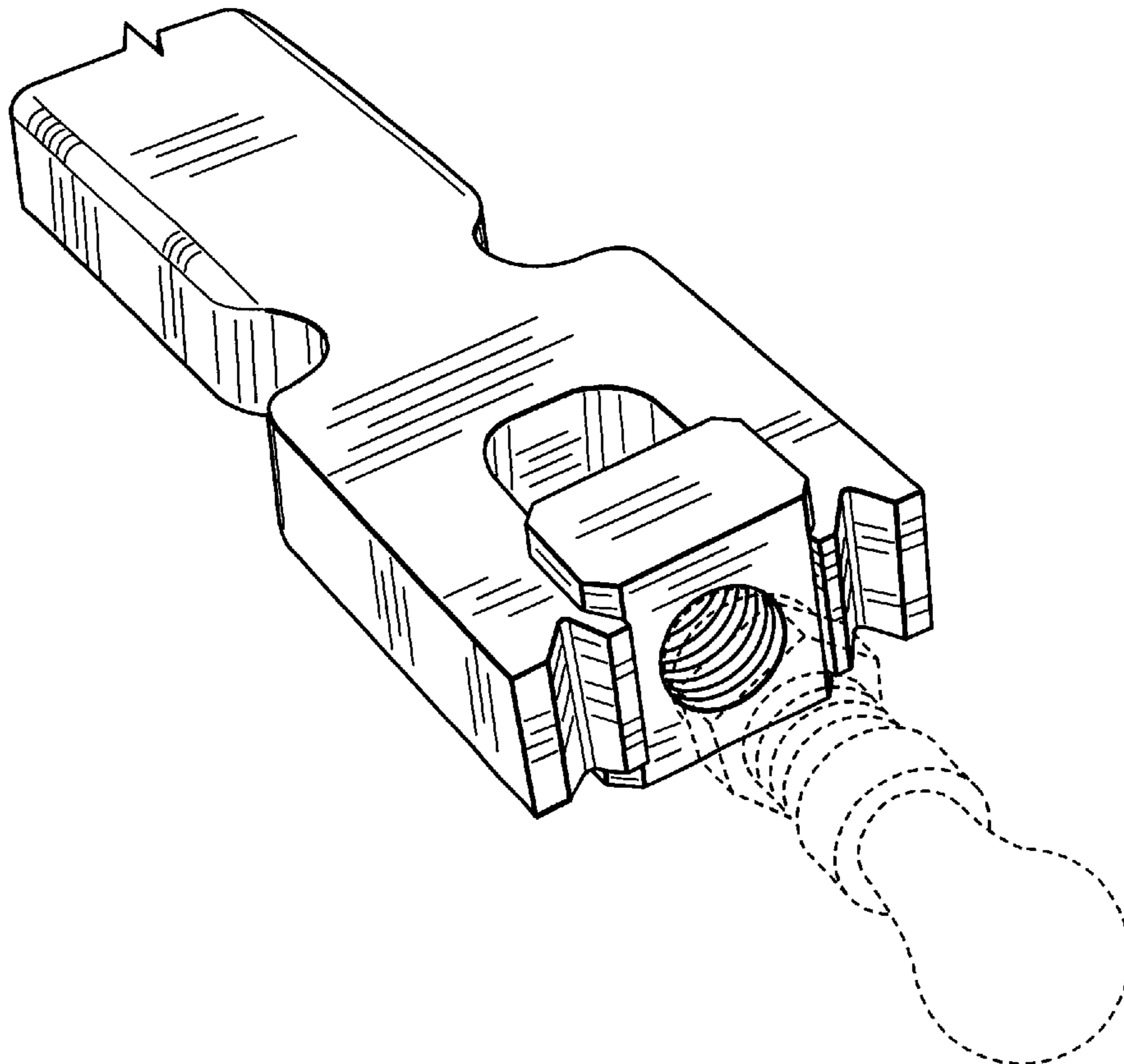
(56) **References Cited**

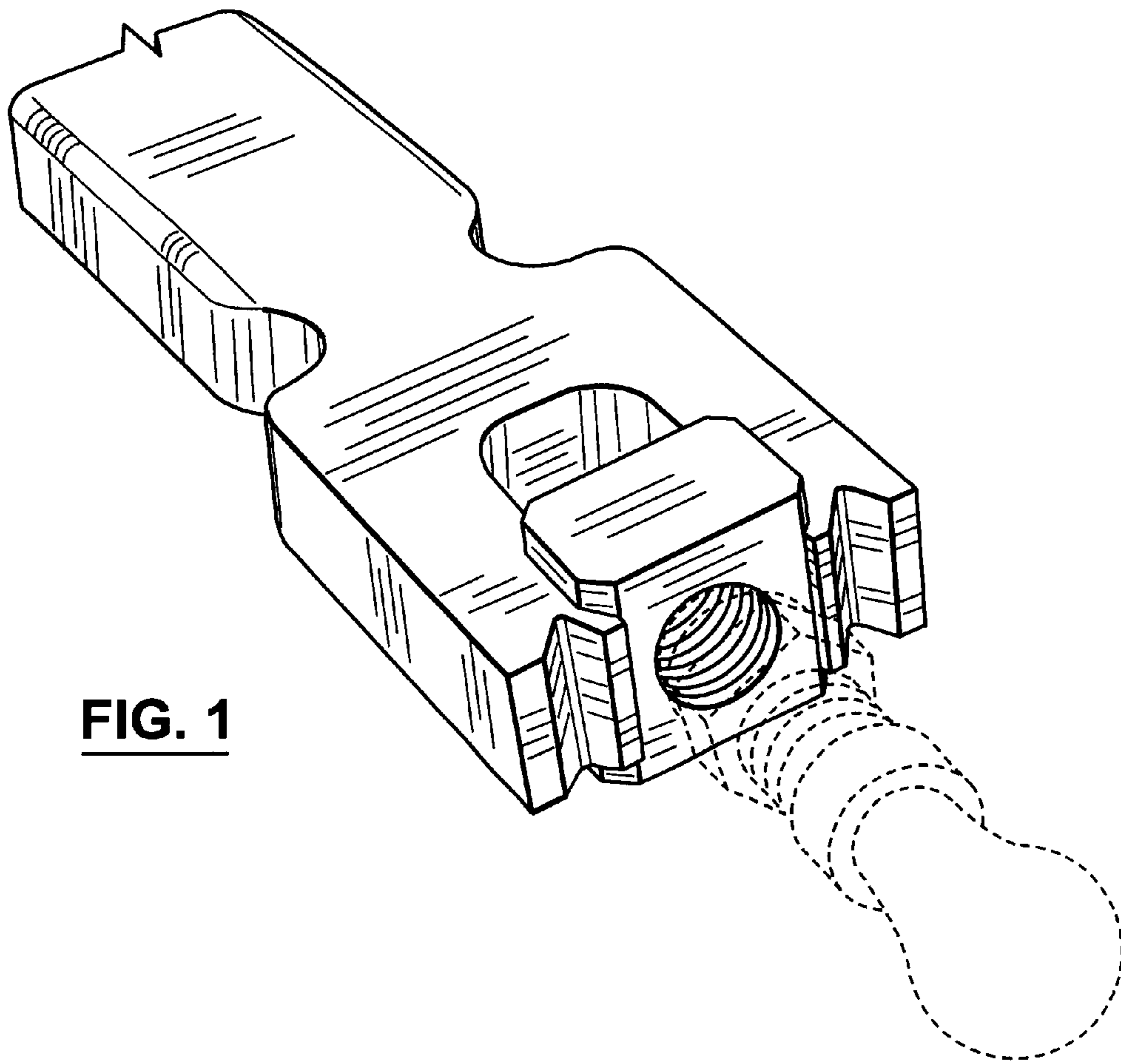
**U.S. PATENT DOCUMENTS**

3,505,636 A \* 4/1970 McDowell ..... 411/432  
3,920,059 A \* 11/1975 Grube ..... 411/179  
3,967,669 A \* 7/1976 Egner ..... 411/184  
4,370,794 A \* 2/1983 Bien et al. .... D8/397

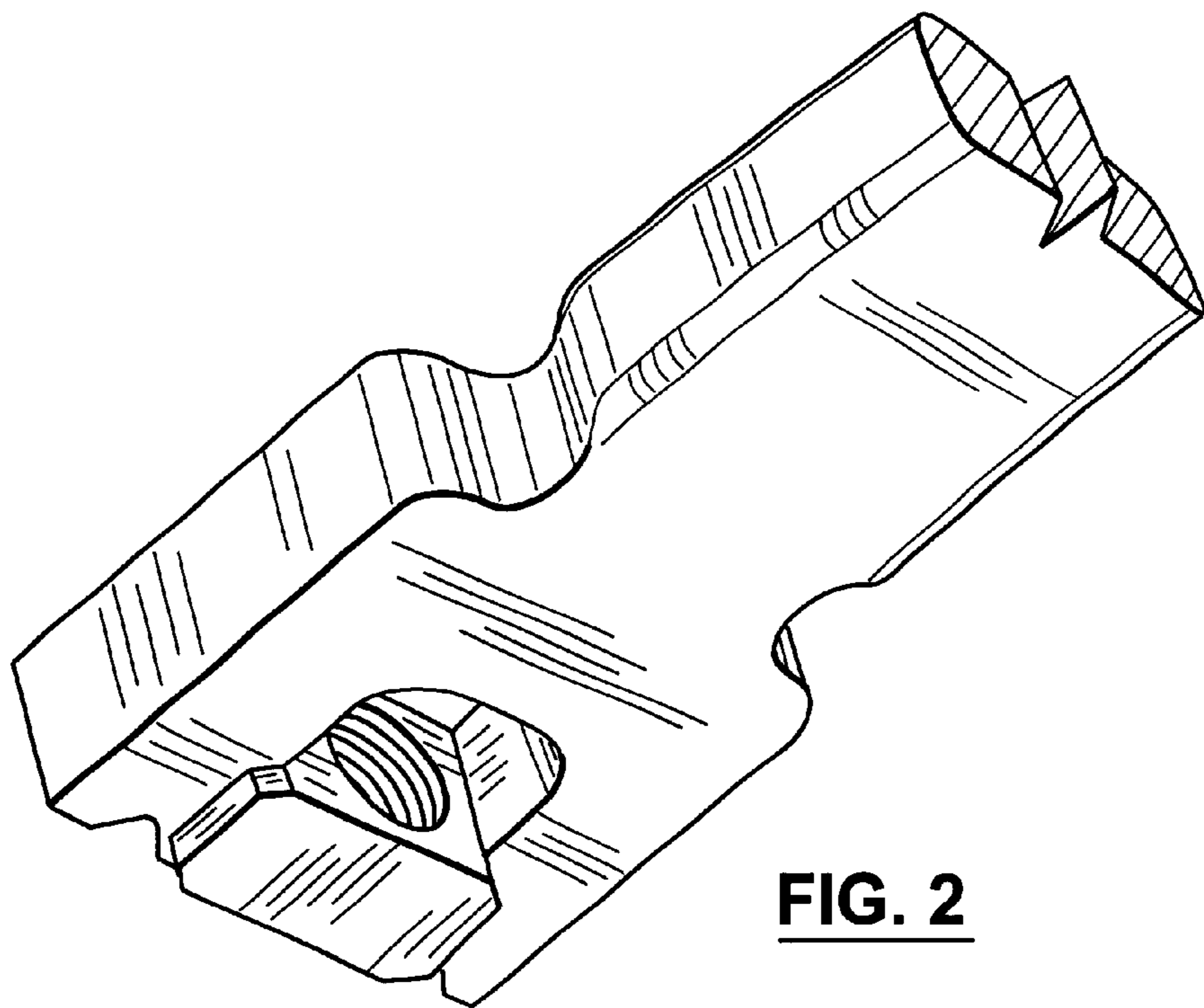
The lock nut and bolt shown in broken lines in FIG. 1 are for illustrative purposes only, and form no part of the claimed design.

**1 Claim, 2 Drawing Sheets**

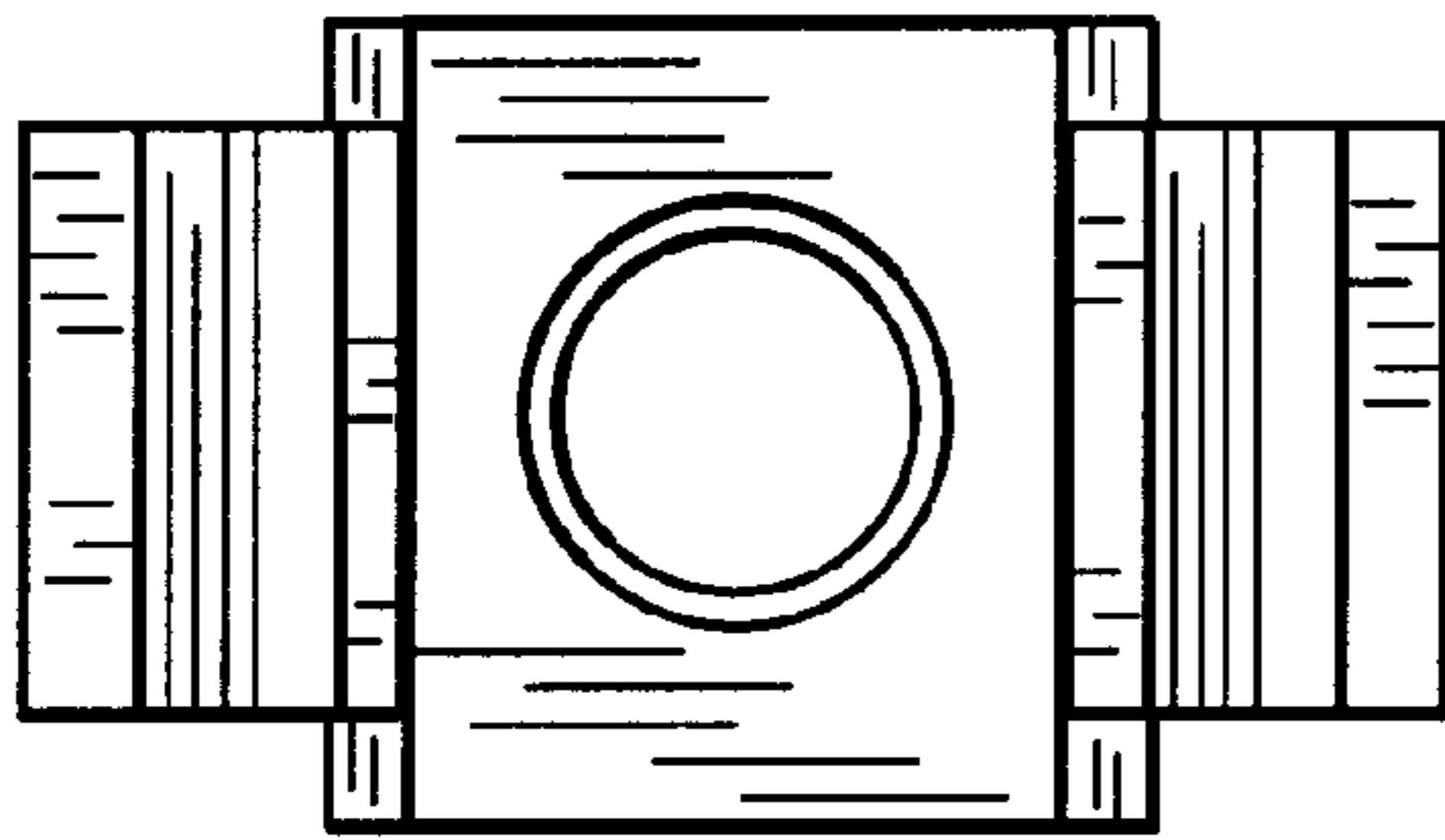




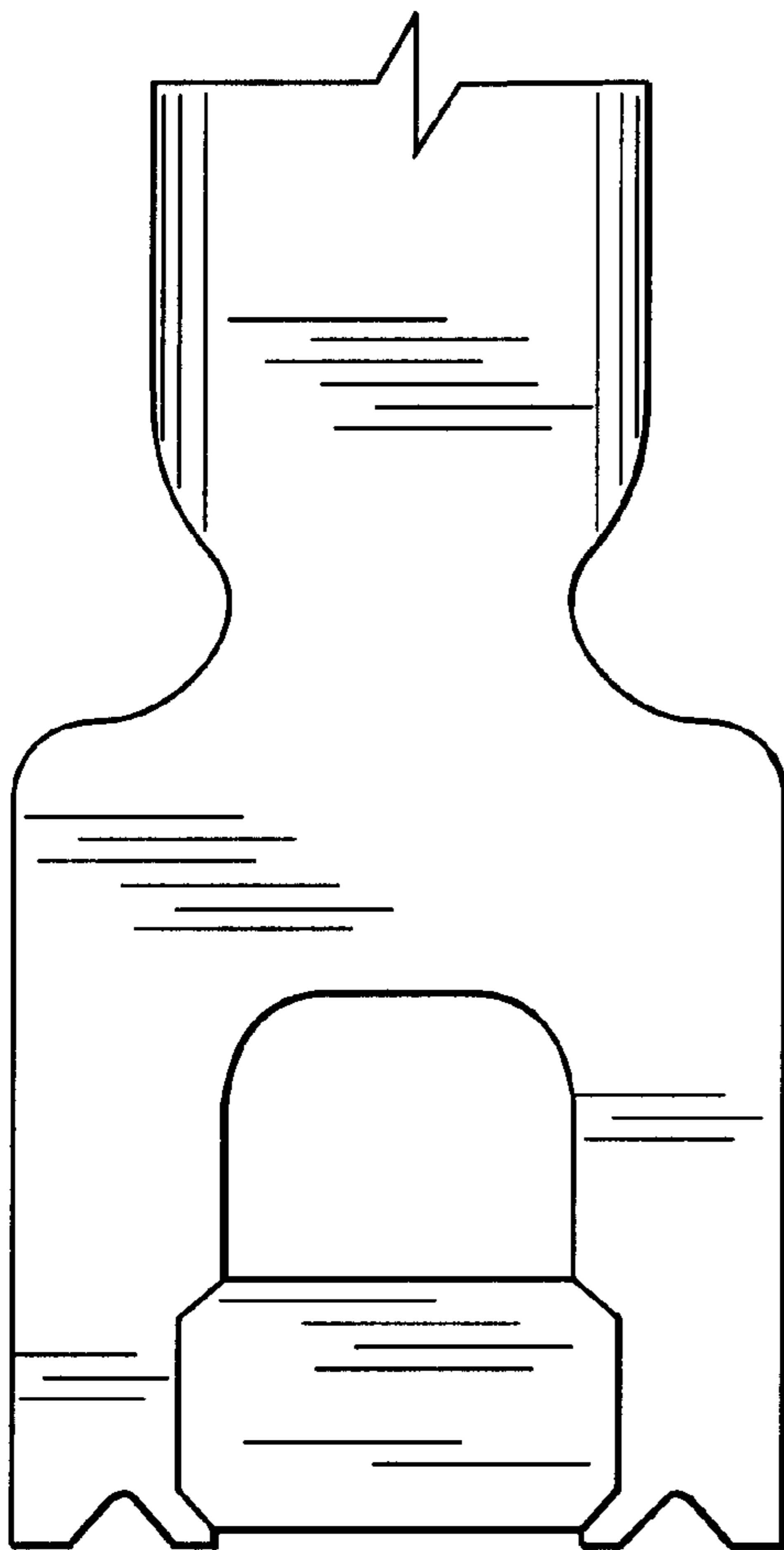
**FIG. 1**



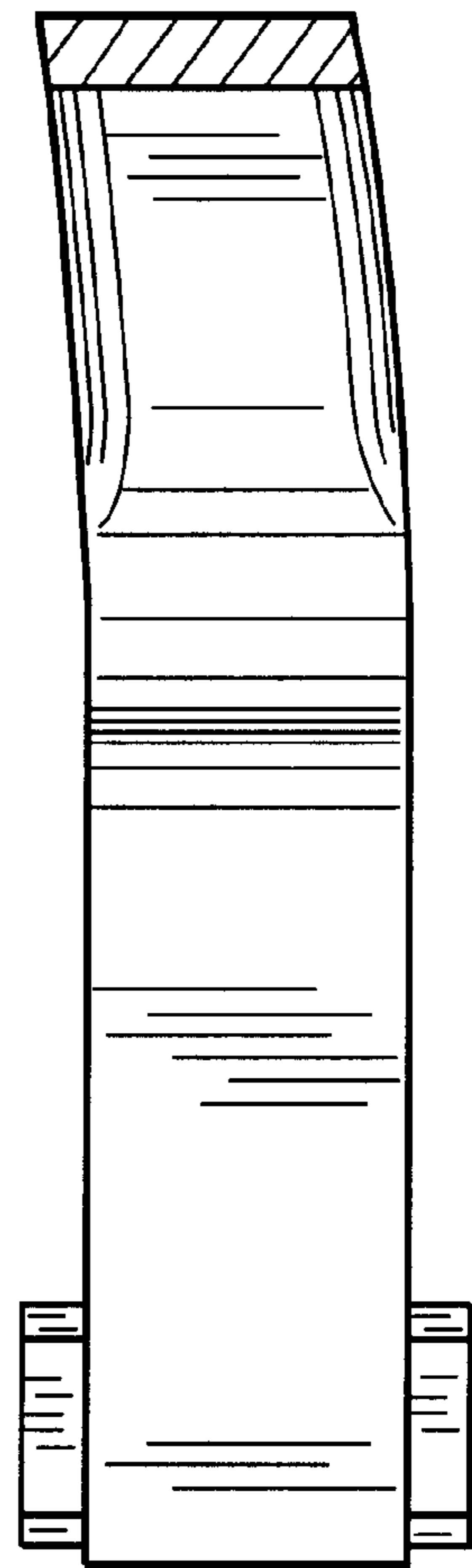
**FIG. 2**



**FIG. 3**



**FIG. 4**



**FIG. 5**