



US00D479119S

(12) **United States Design Patent**  
**Schipani et al.**

(10) **Patent No.:** **US D479,119 S**

(45) **Date of Patent:** **\*\* Sep. 2, 2003**

(54) **END CAP FOR DISPLAY TRUSS**

(75) Inventors: **Ralph L. Schipani**, Edina, MN (US);  
**Richard K. Strayer**, Andover, MN  
(US); **Mark Brauer**, Minneapolis, MN  
(US); **Paul Miklautsch**, Shakopee, MN  
(US); **Walter Croll**, Roberts, WI (US);  
**Charles Austen Angell**, Minneapolis,  
MN (US); **Patrick M. Hamilton**,  
Golden Valley, MN (US); **Jennifer**  
**Dianne Astwood**, Robbinsdale, MN  
(US); **Shaohui Qiu**, Minneapolis, MN  
(US); **Lee Powers**, Cambridge, WI  
(US); **Kyle Gudmunson**, Edina, MN  
(US); **Brian Clemens**, Minneapolis,  
MN (US); **Brett R. Johnson**, Roseville,  
MN (US)

(73) Assignee: **Interlock Structures International  
Inc.**, Minneapolis, MN (US)

(\*\*) Term: **14 Years**

(21) Appl. No.: **29/163,312**

(22) Filed: **Jun. 28, 2002**

(51) **LOC (7) Cl.** ..... **08-05**

(52) **U.S. Cl.** ..... **D8/380; D25/61**

(58) **Field of Search** ..... 52/655.1, 646,  
52/633; 211/1, 189; D25/61, 135; D8/380,  
354

(56) **References Cited**

**U.S. PATENT DOCUMENTS**

D267,308 S \* 12/1982 France ..... D8/380

4,730,739 A	*	3/1988	Semerau, Jr. ....	211/189
D374,291 S	*	10/1996	Harbeke et al. ....	D25/61
5,701,713 A		12/1997	Silver	
5,900,850 A		5/1999	Bailey et al.	
6,026,626 A		2/2000	Fisher	
6,076,770 A		6/2000	Nygren et al.	
6,219,009 B1		4/2001	Shipley et al.	
6,219,974 B1		4/2001	Hoberman	
6,233,881 B1		5/2001	Rainbolt	
6,240,940 B1		6/2001	Carter	
6,244,010 B1		6/2001	Sluiter	
6,253,520 B1		7/2001	Houk	
6,260,327 B1		7/2001	Pellock	
6,266,030 B1		7/2001	Warren et al.	
6,276,095 B1		8/2001	Tripsianes	
6,276,521 B1		8/2001	Arndt et al.	
6,283,136 B1		9/2001	Chen	
6,293,500 B1		9/2001	Bigelow	
6,296,077 B1		10/2001	Wood et al.	
6,296,109 B1		10/2001	Nohl	

\* cited by examiner

*Primary Examiner*—Doris Clark

(74) *Attorney, Agent, or Firm*—Altera Law Group LLC

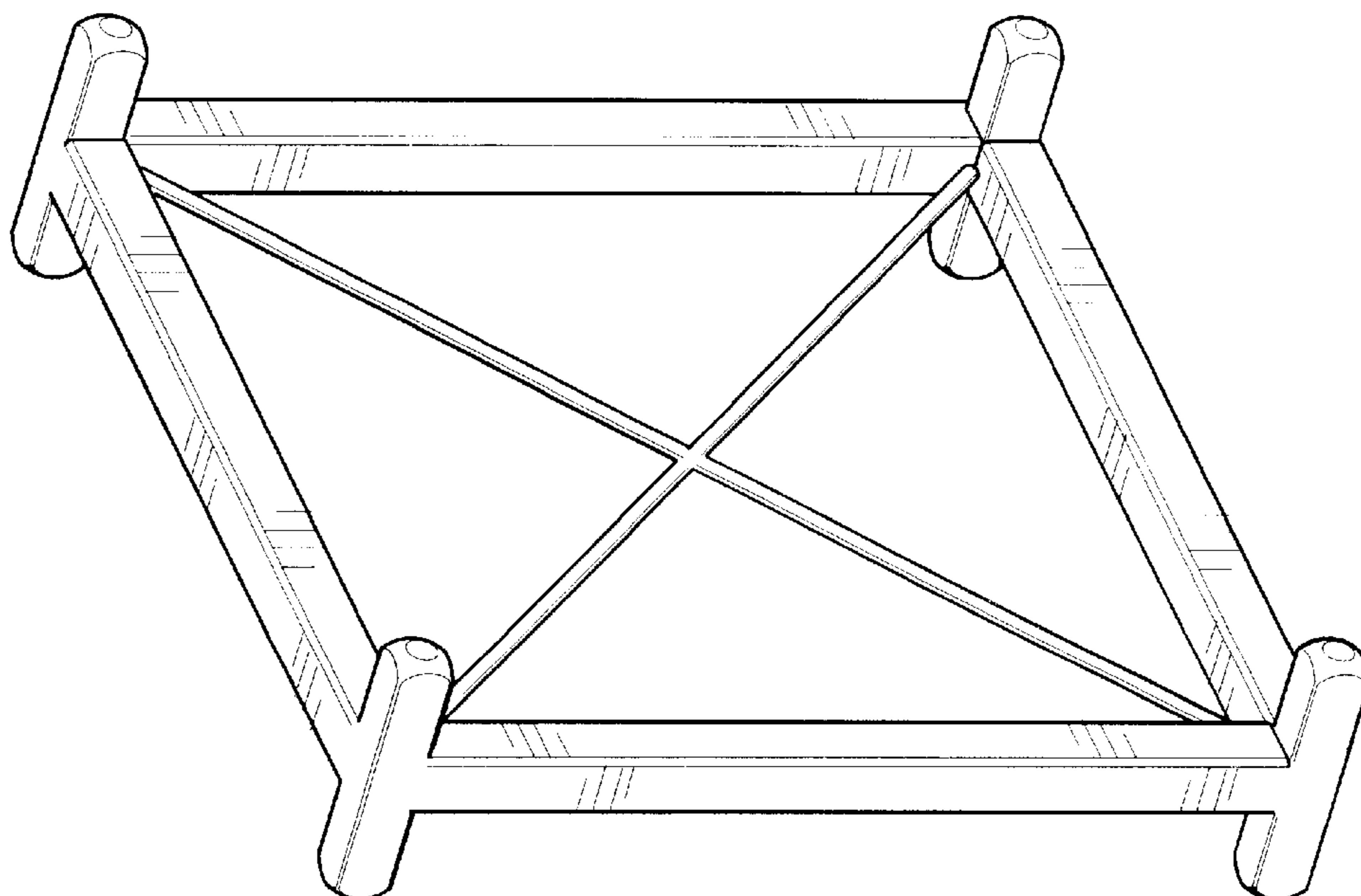
(57) **CLAIM**

The ornamental design for a end cap for display truss, as shown and described.

**DESCRIPTION**

FIG. 1 is a perspective view of the end cap for display truss; FIG. 2 is a front view of the end cap for display truss; and, FIG. 3 is a top view of the end cap for display truss.

**1 Claim, 2 Drawing Sheets**



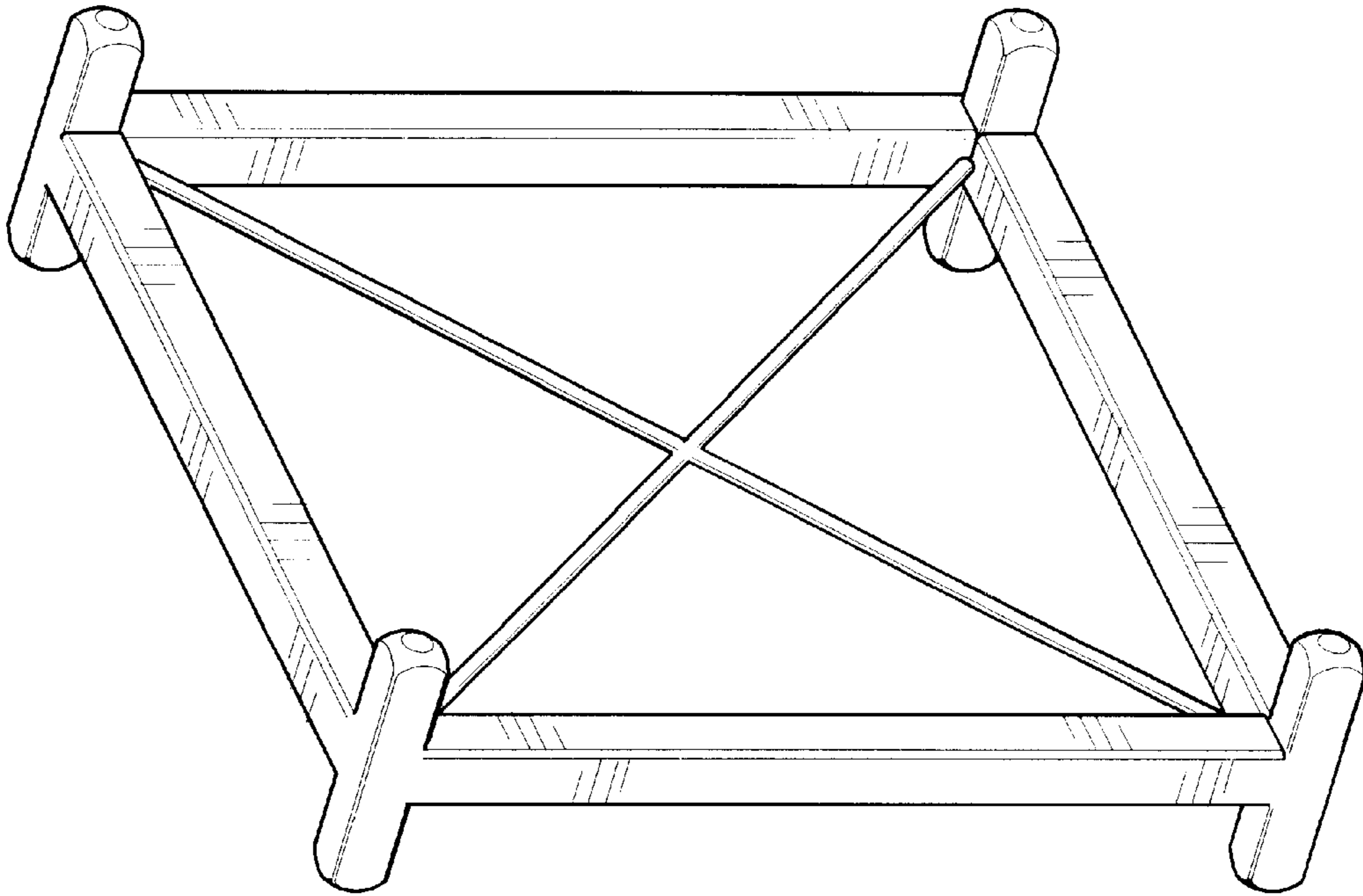


FIG. 1

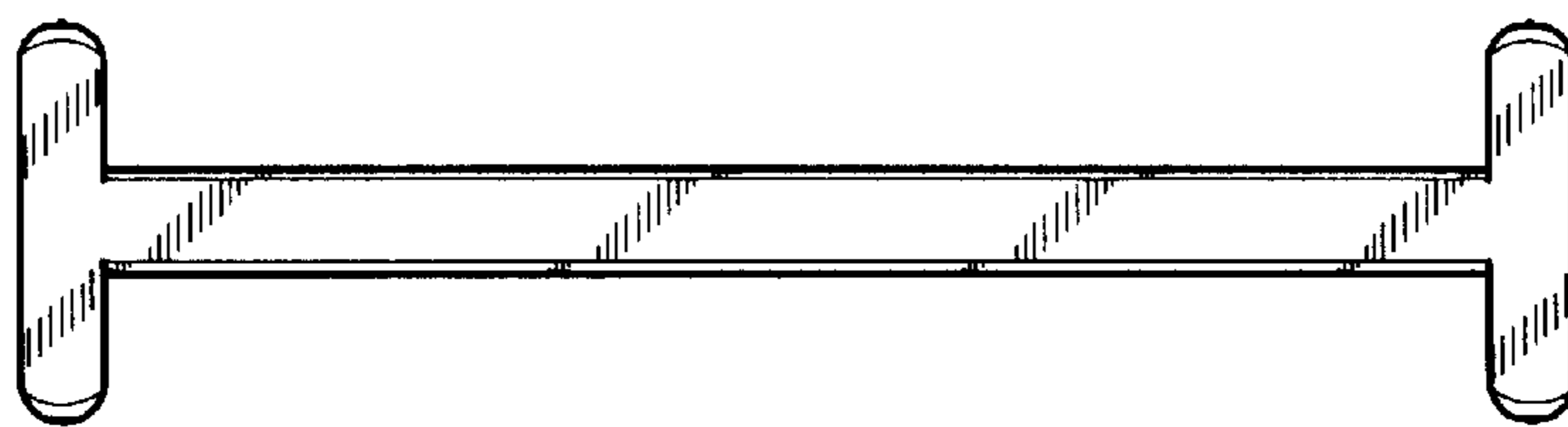


FIG. 2

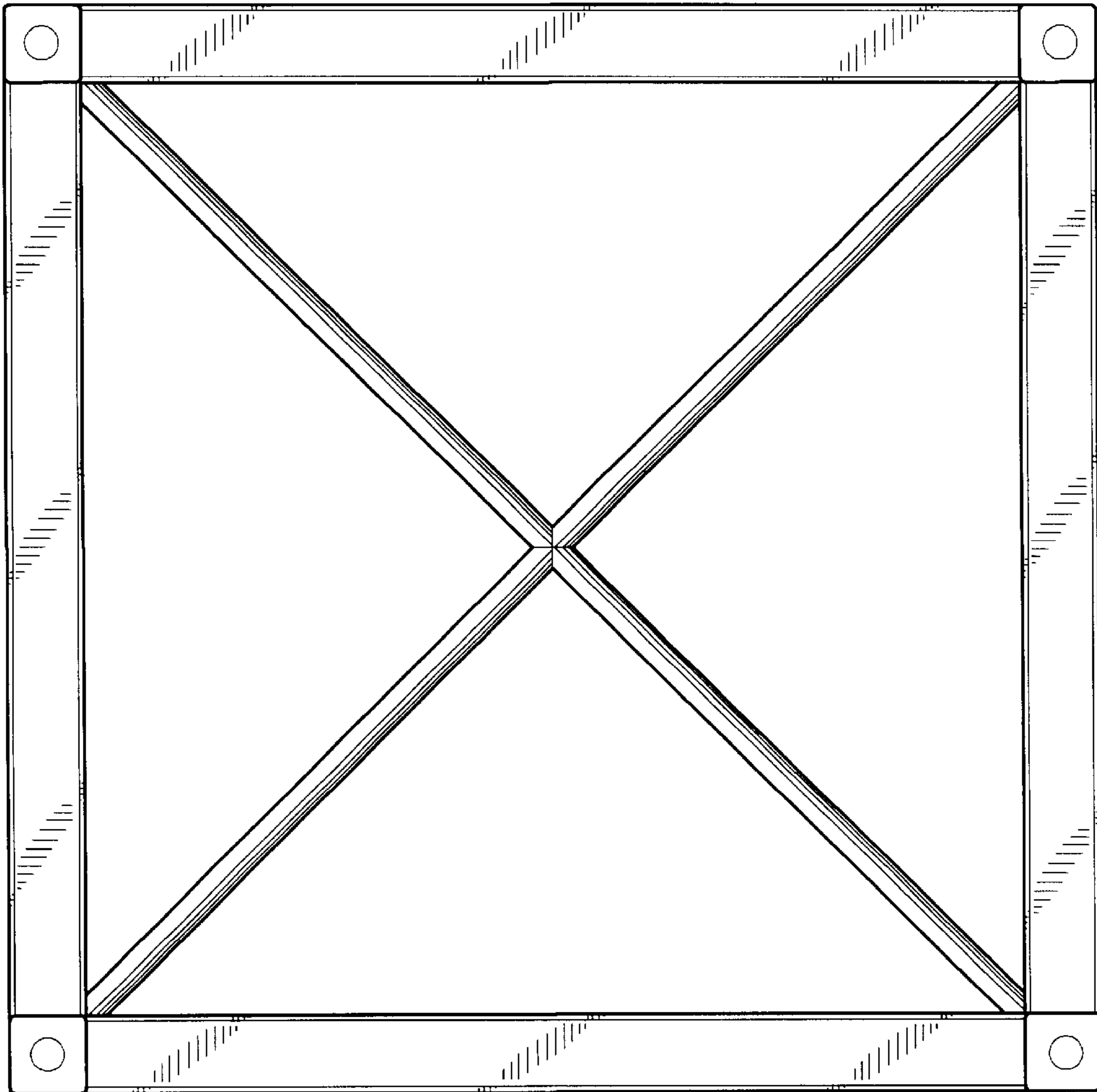


FIG. 3