



US00D479117S

(12) **United States Design Patent**
Mercier

(10) **Patent No.:** **US D479,117 S**

(45) **Date of Patent:** **** Sep. 2, 2003**

(54) **SUPPORT BRACKET**

(76) Inventor: **John Mercier**, P.O. Box 333, Cuddy,
PA (US) 15031

(**) Term: **14 Years**

(21) Appl. No.: **29/176,409**

(22) Filed: **Feb. 24, 2003**

Related U.S. Application Data

(63) Continuation-in-part of application No. 10/059,970, filed on
Jan. 30, 2002, now Pat. No. 6,543,731.

(51) **LOC (7) Cl.** **08-05**

(52) **U.S. Cl.** **D8/354**

(58) **Field of Search** D6/512, 524, 528,
D6/531, 550; D8/1, 349, 352, 354, 355,
363, 366, 371, 373-380, 382; D11/182;
D23/233, 259, 266, 393, 394; 116/173,
174; 248/49, 56, 57, 58, 59, 60, 62, 65,
66, 68.1, 200, 201, 205.1, 220.21, 300,
309.1, 311.2, 317, 346.01, 346.03, 511,
518, 519, 523, 529, 534, 539, 541, 688;
285/61, 64; 403/346, 384, 385, 386, 400

(56) **References Cited**

U.S. PATENT DOCUMENTS

1,291,872 A * 1/1919 Heinze, Jr. 248/65

D198,777 S * 8/1964 Shelare et al. D6/528
6,186,013 B1 * 2/2001 Gabiniewicz et al. 73/865.9
D452,424 S * 12/2001 Simpson, Sr. D8/107

* cited by examiner

Primary Examiner—Doris V. Coles

Assistant Examiner—Elizabeth Albert

(74) *Attorney, Agent, or Firm*—Carothers and Carothers

(57) **CLAIM**

The ornamental design for a support bracket, as shown and
described.

DESCRIPTION

FIG. 1 is a perspective view of the support bracket showing
my new design;

FIG. 2 is a front view of the support bracket shown in FIG.
1;

FIG. 3 is a back view of the support bracket shown in FIG.
1;

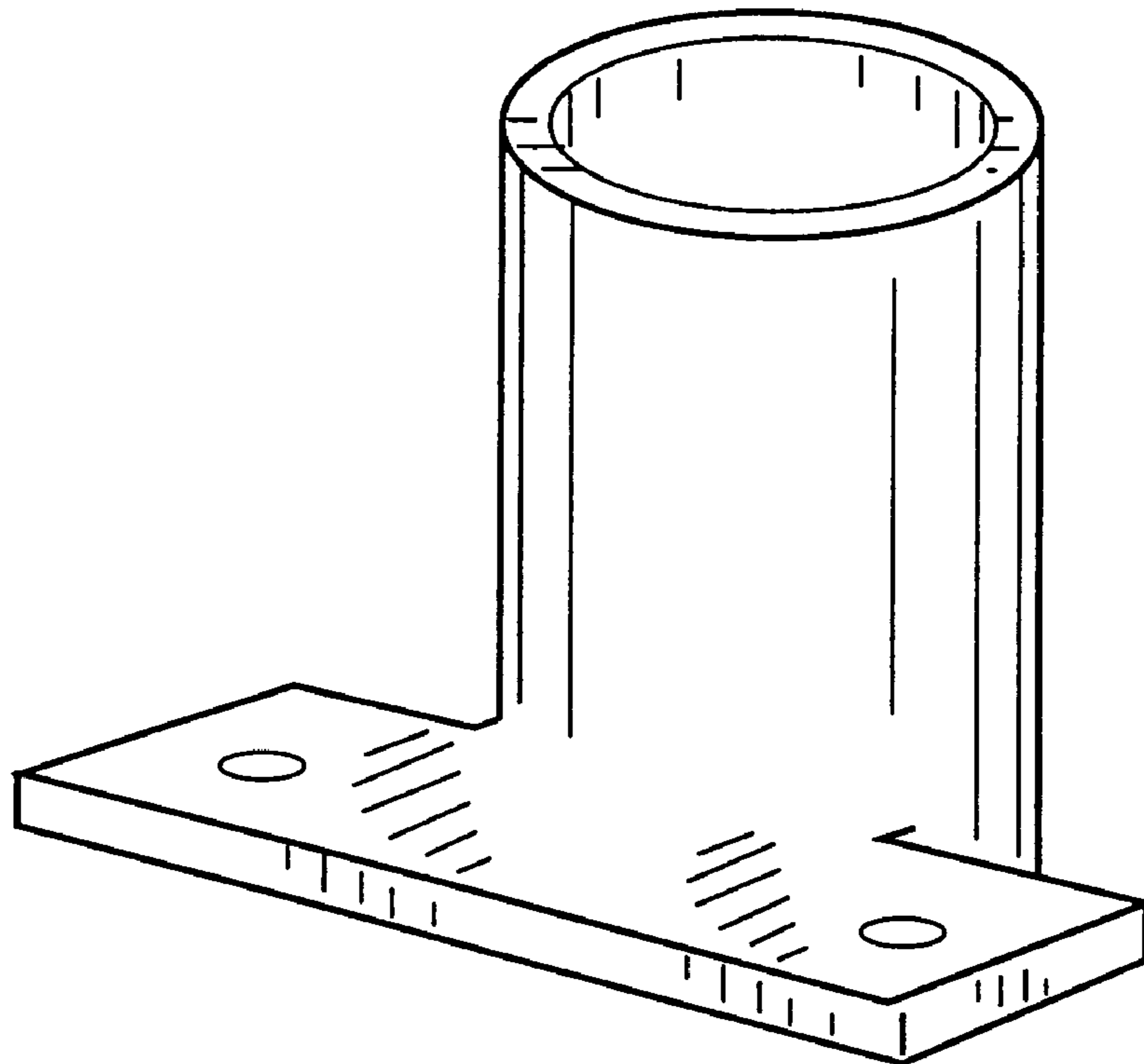
FIG. 4 is a right side view of the support bracket shown in
FIG. 1;

FIG. 5 is a left side view of the support bracket shown in
FIG. 1;

FIG. 6 is a top view of the support bracket shown in FIG. 1;
and,

FIG. 7 is a bottom view of the support bracket shown in FIG.
1.

1 Claim, 2 Drawing Sheets



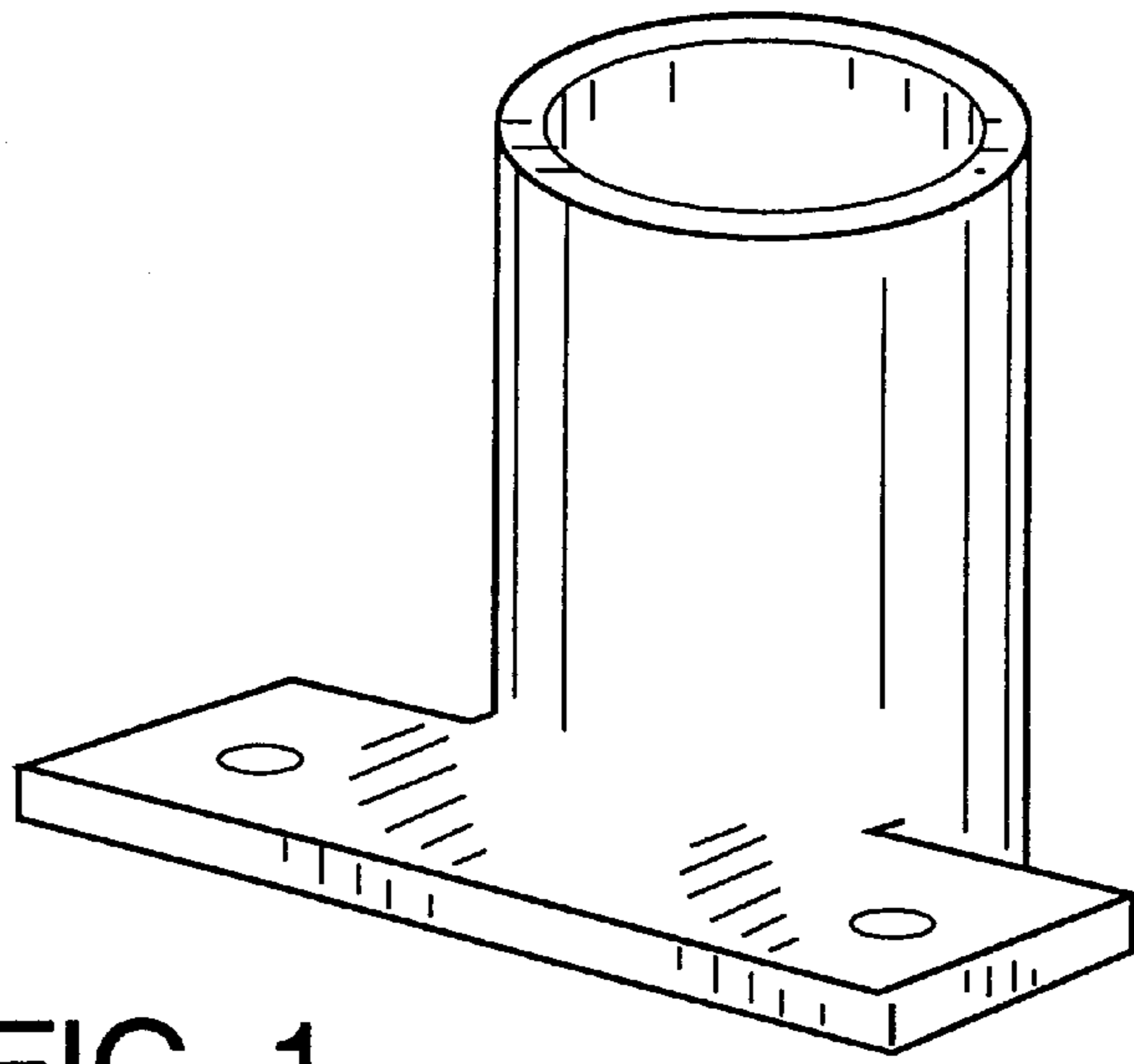


FIG. 1

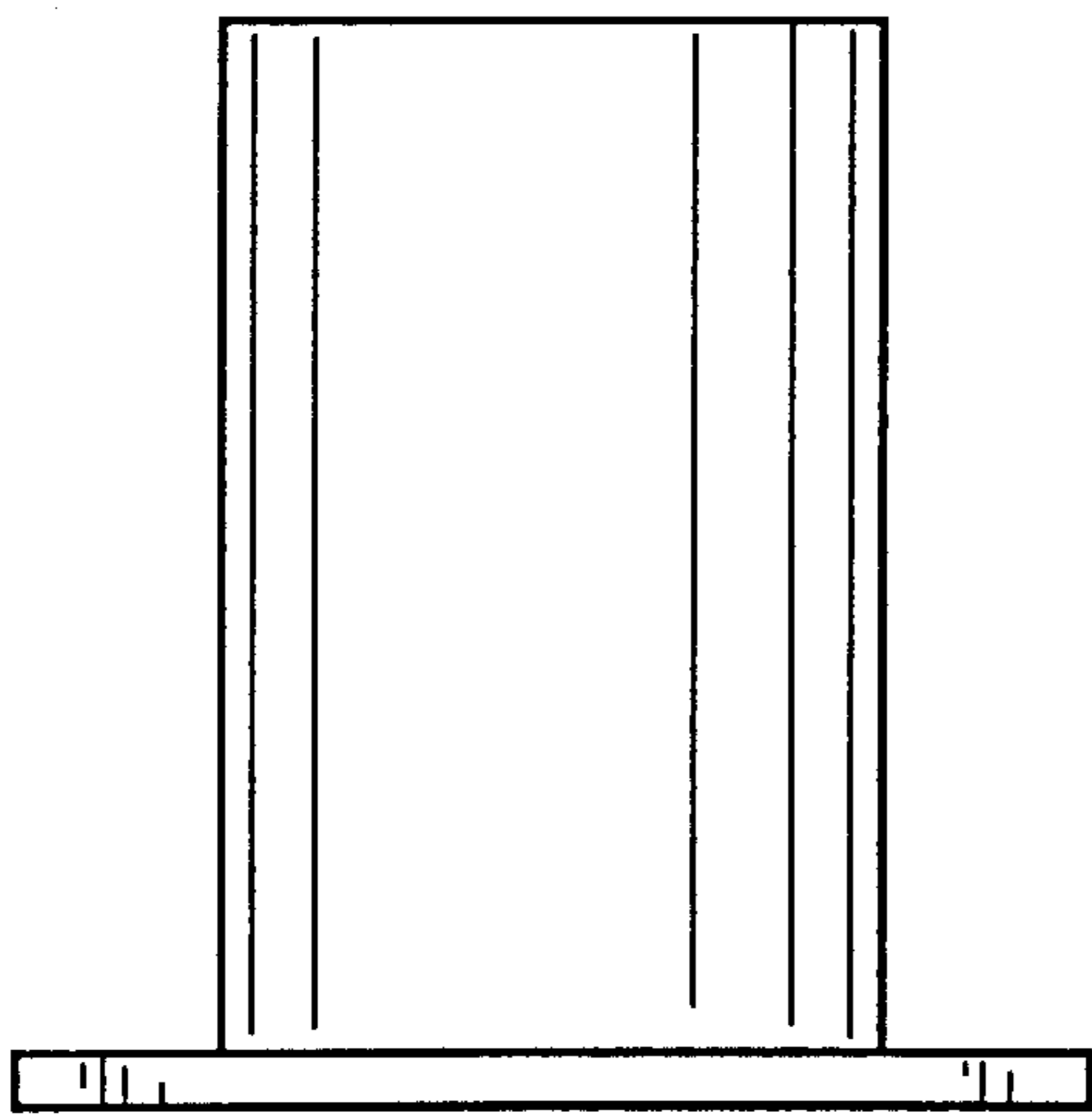


FIG. 2

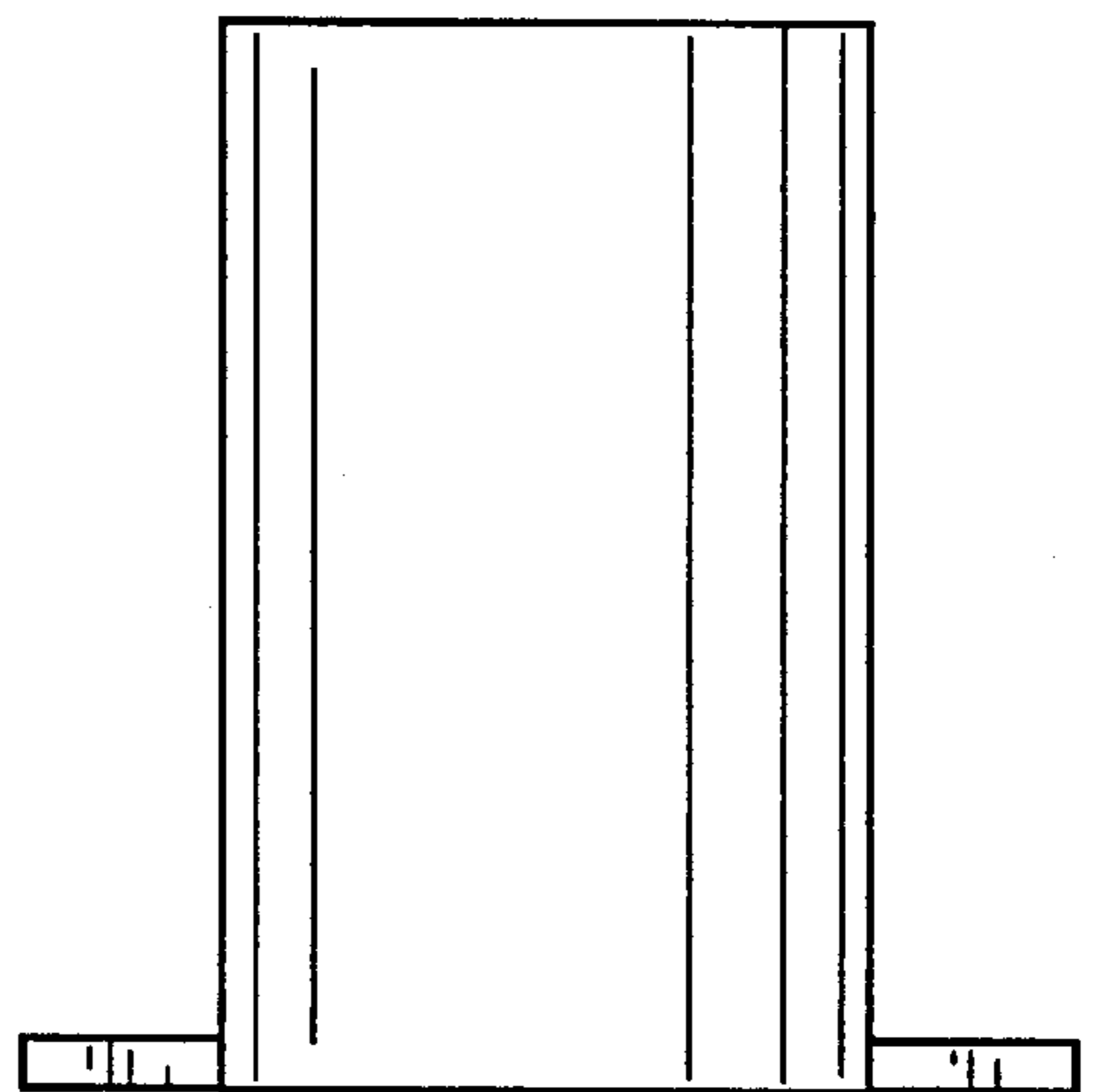


FIG. 3

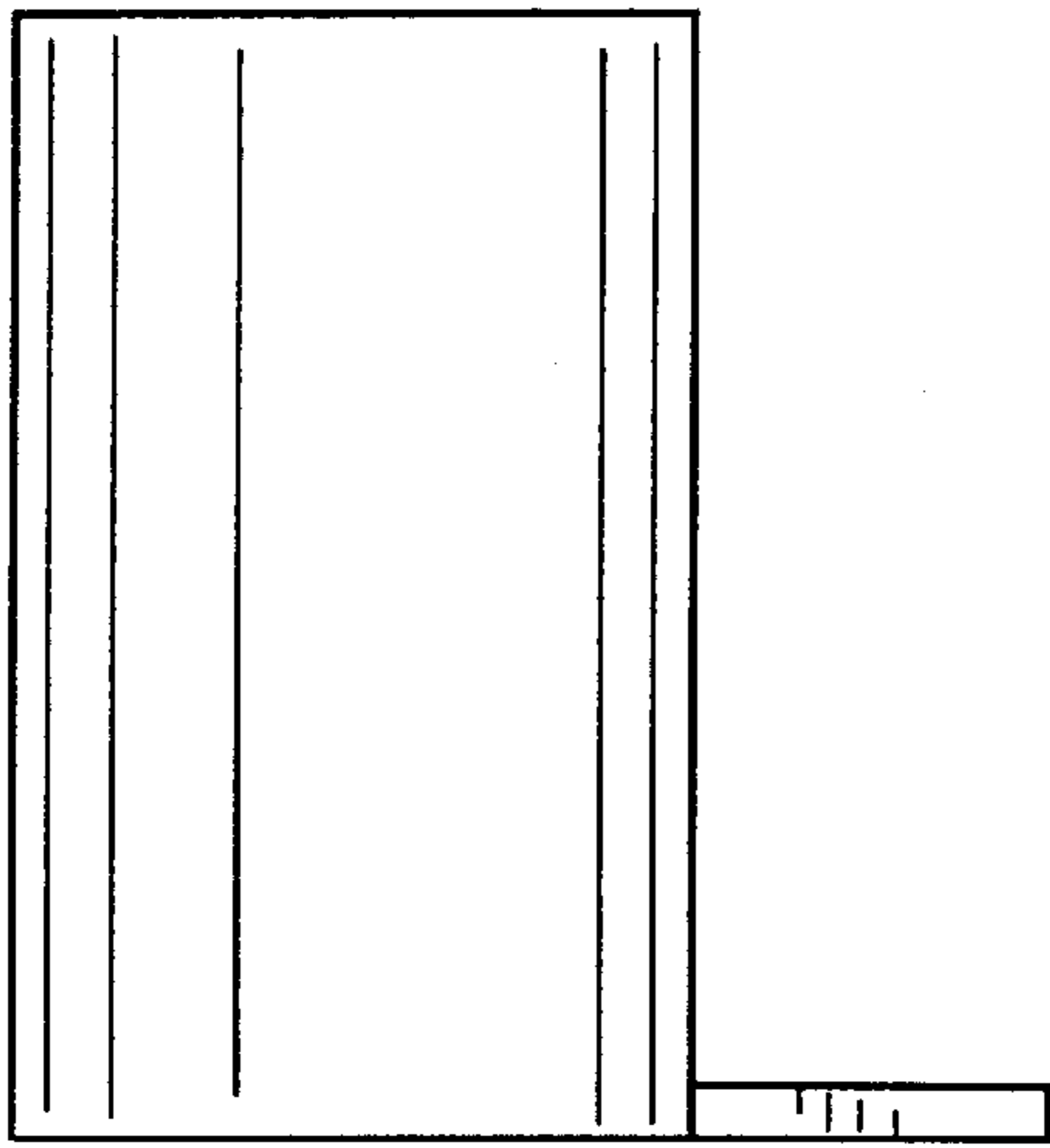


FIG. 4

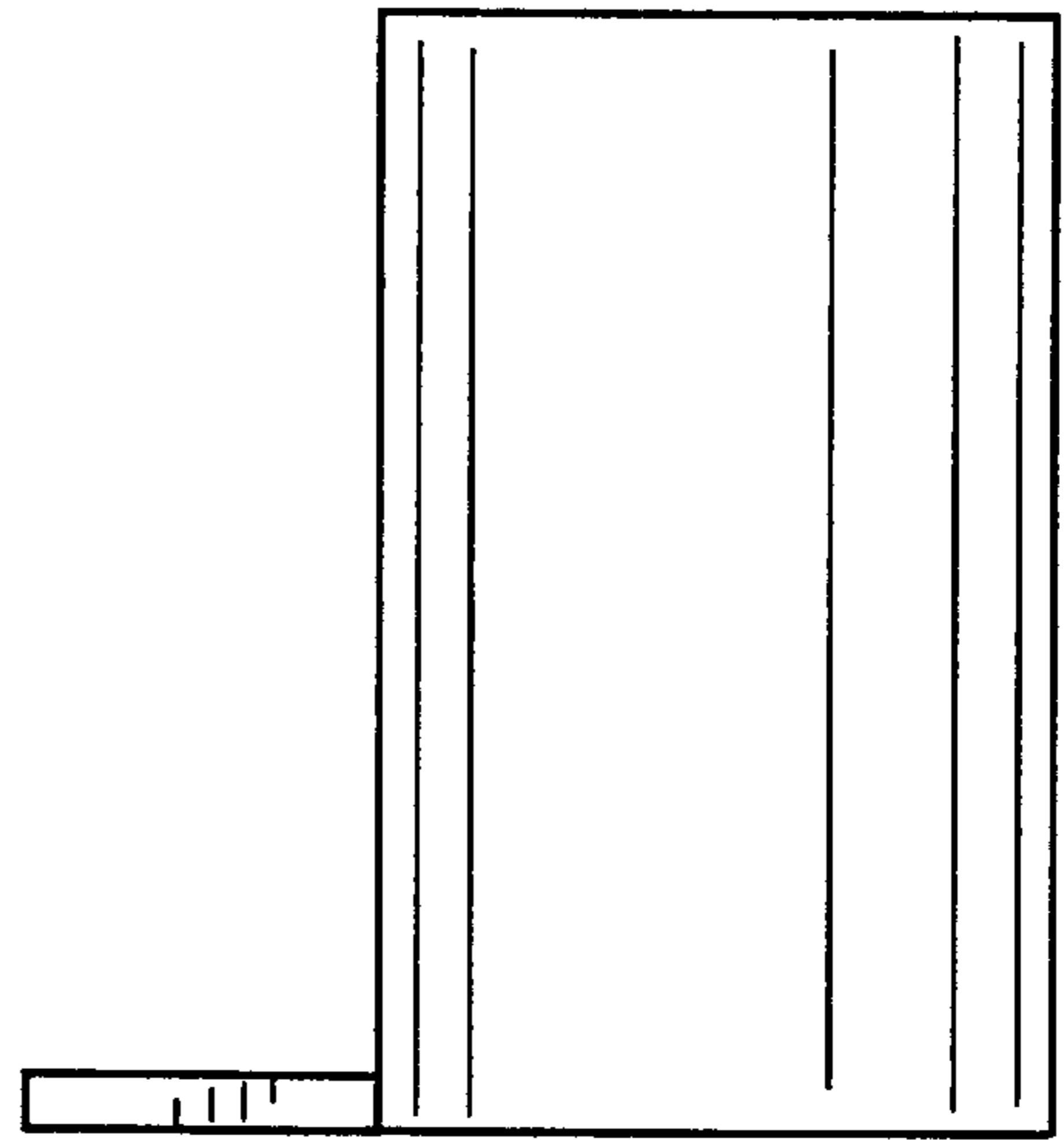


FIG. 5

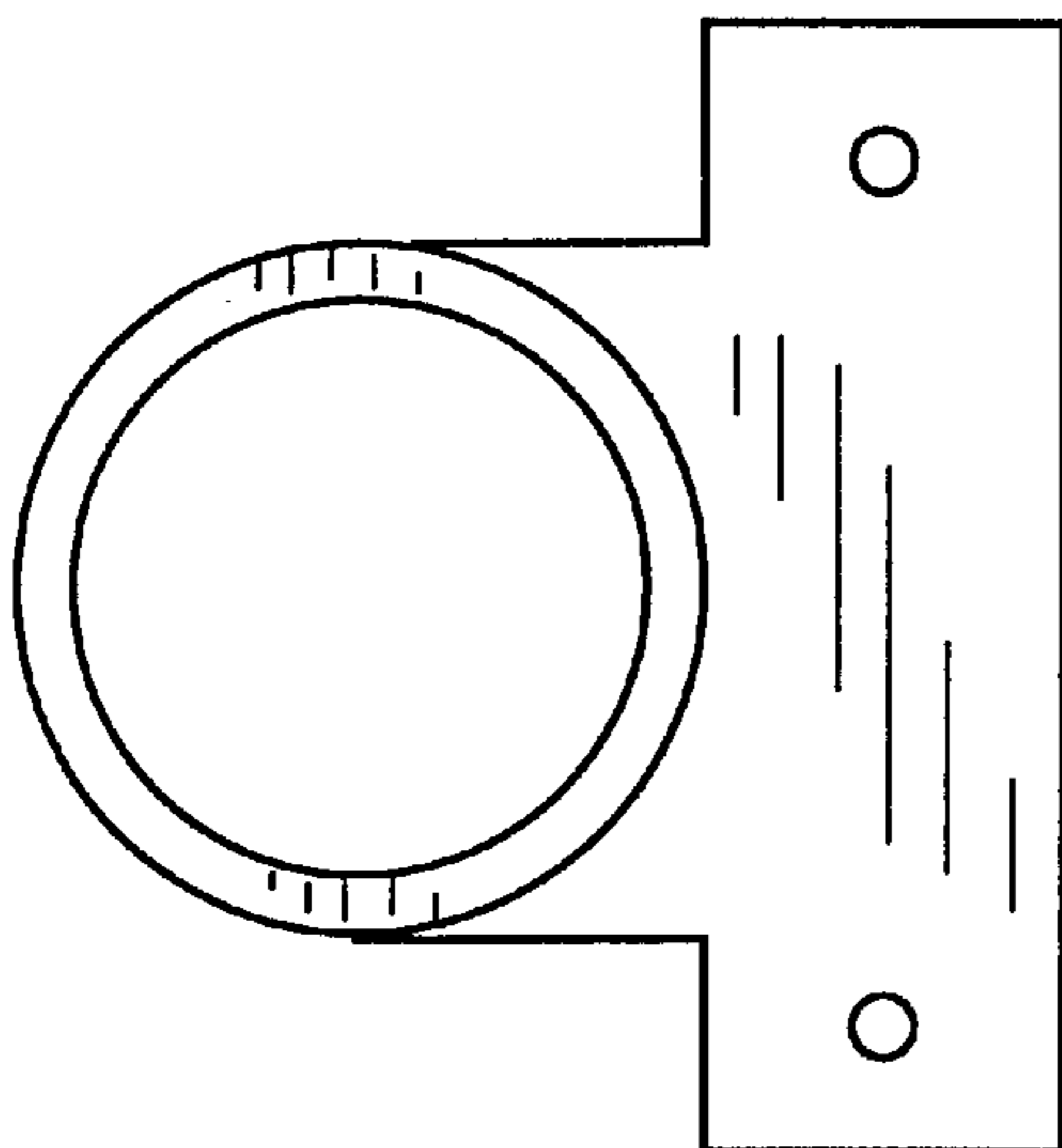


FIG. 6

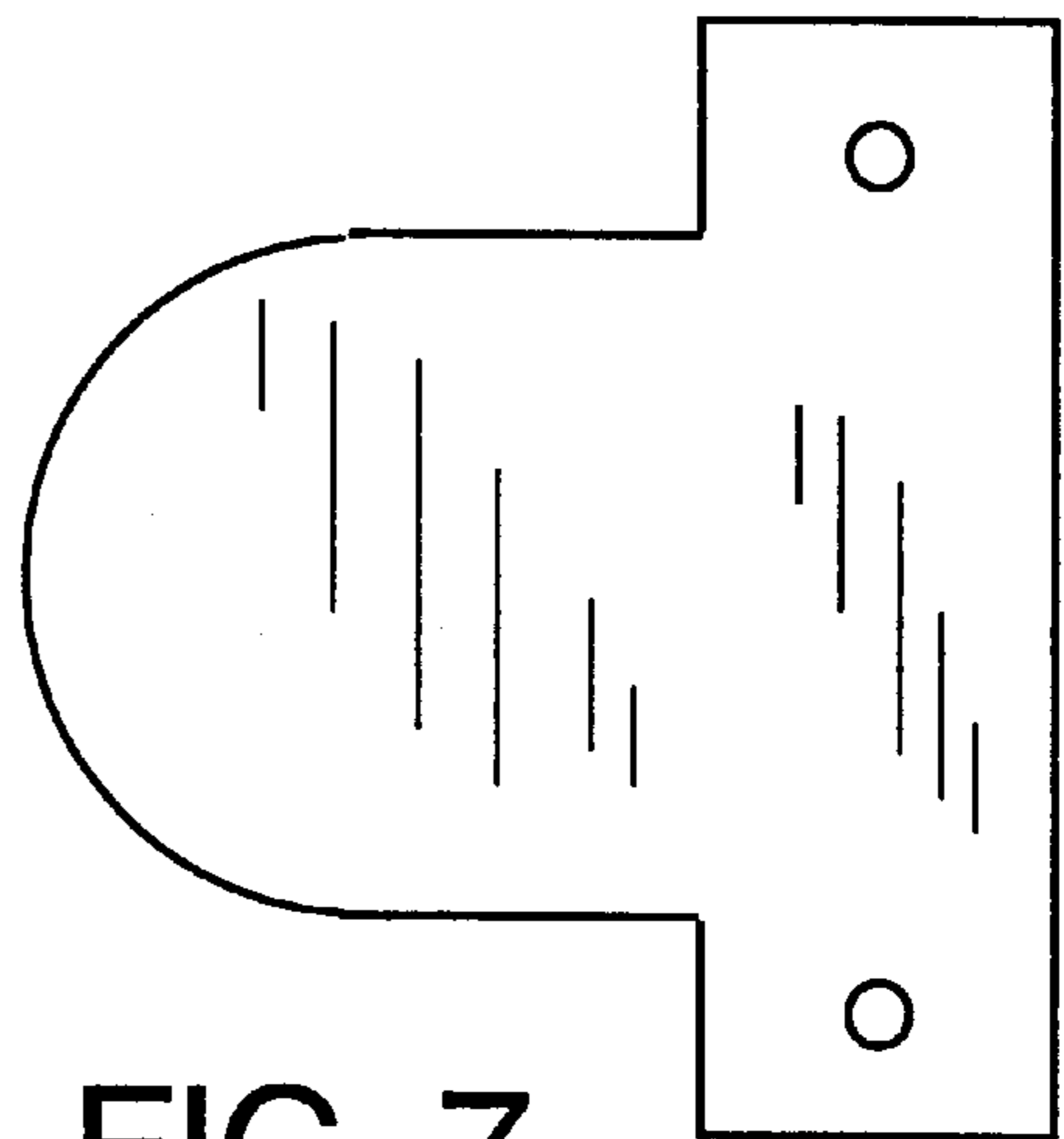


FIG. 7