



US00D479115S

(12) **United States Design Patent**
Hayakawa

(10) **Patent No.:** **US D479,115 S**

(45) **Date of Patent:** **** Sep. 2, 2003**

(54) **HINGE FOR FURNITURE**

6,343,406 B1 * 2/2002 Yeh 16/328

(75) Inventor: **Tatsuya Hayakawa, Yokoshiba-machi**
(JP)

FOREIGN PATENT DOCUMENTS

JP 777059 9/1989

(73) Assignee: **Sugatsune Kogyo Co., Ltd. (JP)**

* cited by examiner

(**) Term: **14 Years**

Primary Examiner—Louis S. Zarfes

Assistant Examiner—Deanne Levy

(21) Appl. No.: **29/144,124**

(74) *Attorney, Agent, or Firm*—Eugene Stephens & Associates

(22) Filed: **Jun. 26, 2001**

(30) **Foreign Application Priority Data**

Jan. 16, 2001 (JP) 2001-000583

(57) **CLAIM**

The ornamental design for a hinge for furniture, as shown and described.

(51) **LOC (7) Cl.** **08-06**

DESCRIPTION

(52) **U.S. Cl.** **D8/323**

(58) **Field of Search** D8/323, 327, 329,
D8/400; 16/342, 385–387, 360, DIG. 13,
221, 382, 260

FIG. 1 is a top plan view of a hinge for furniture showing my new design;

FIG. 2 is a front view thereof;

FIG. 3 is a right side view thereof;

FIG. 4 is a left side view thereof;

FIG. 5 is a bottom plan view thereof;

FIG. 6 is a back view thereof; and,

FIG. 7 is a sectional view thereof, taken along line 7—7 of FIG. 2.

(56) **References Cited**

U.S. PATENT DOCUMENTS

239,620 A *	4/1881	Phillips	16/329
3,874,027 A *	4/1975	Parsons	16/221
5,158,503 A *	10/1992	Mitchell	16/366
6,085,385 A *	7/2000	Joo	16/382

1 Claim, 2 Drawing Sheets

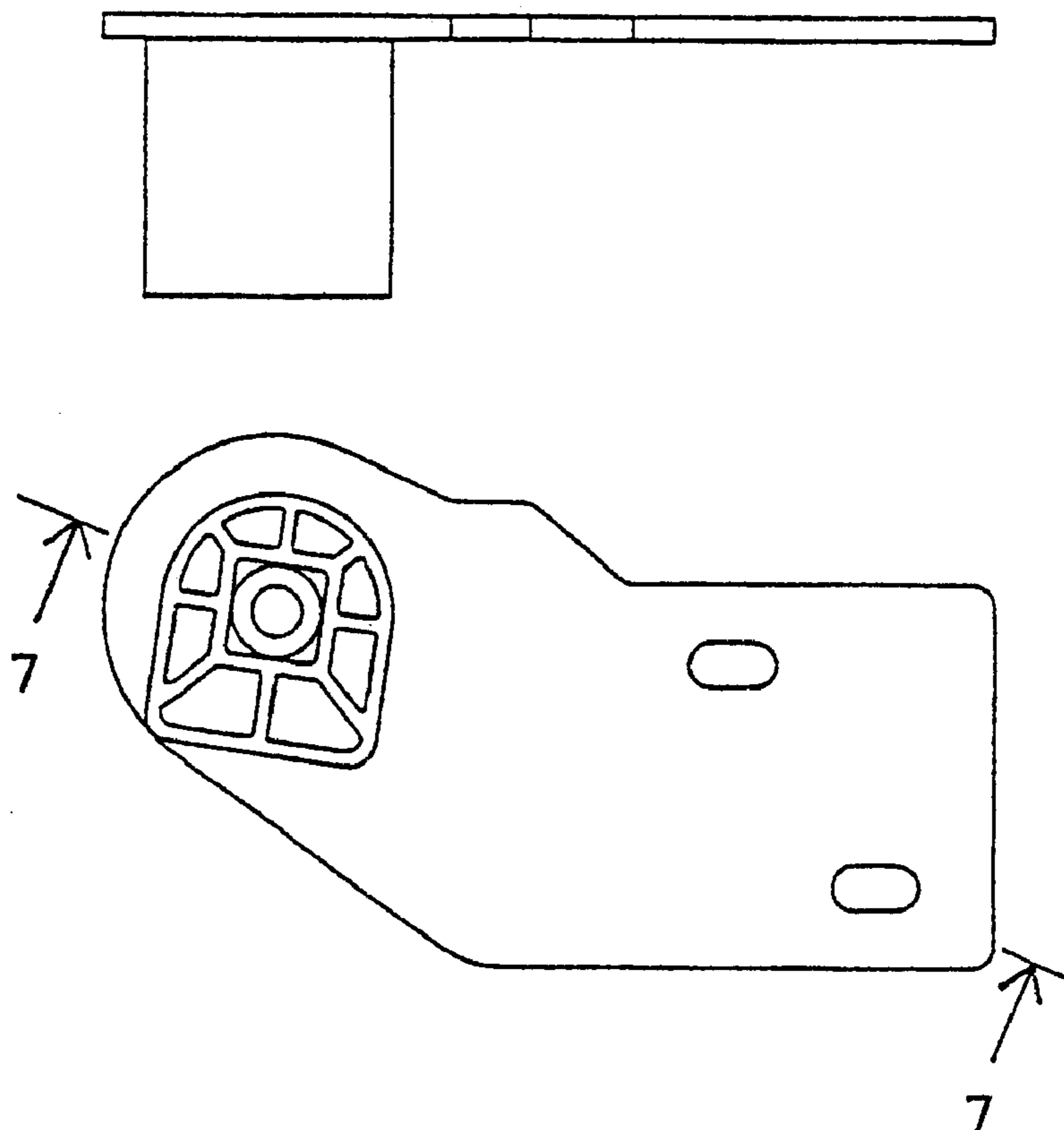


FIG. 1

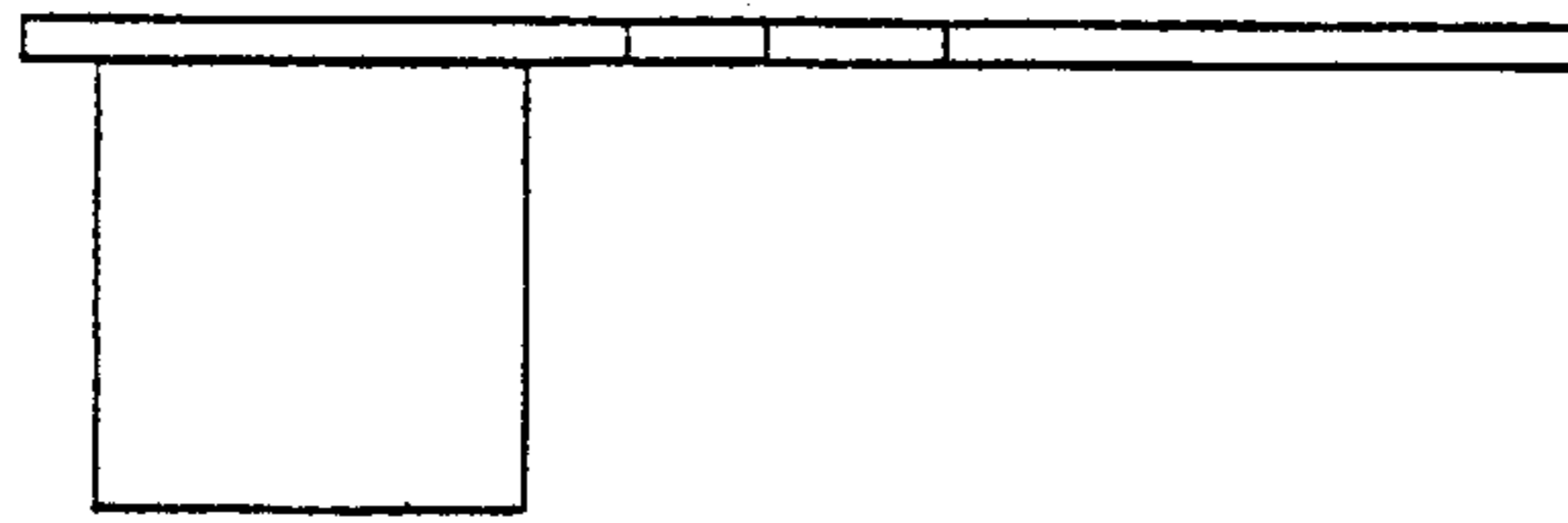


FIG. 2

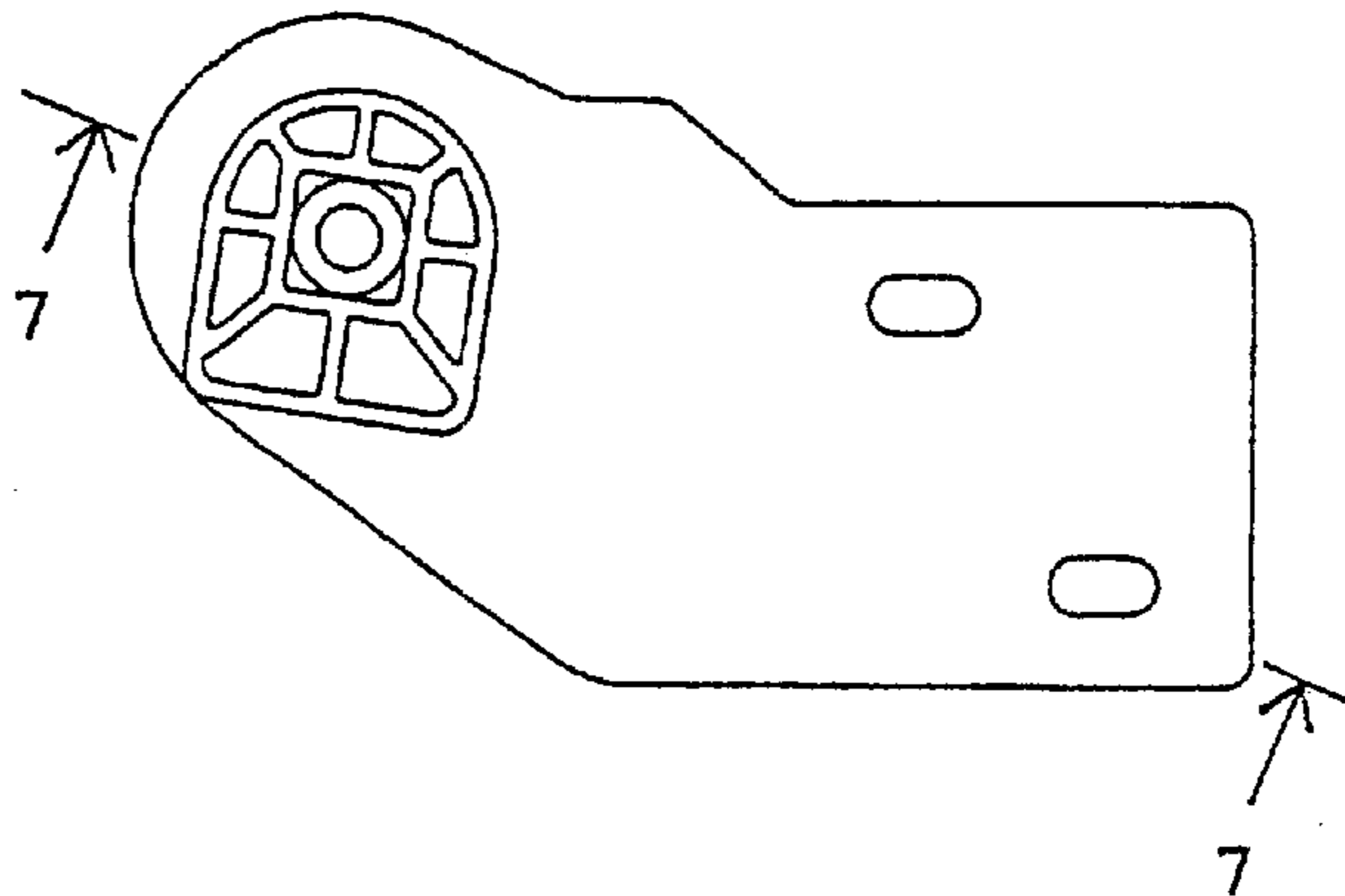


FIG. 3

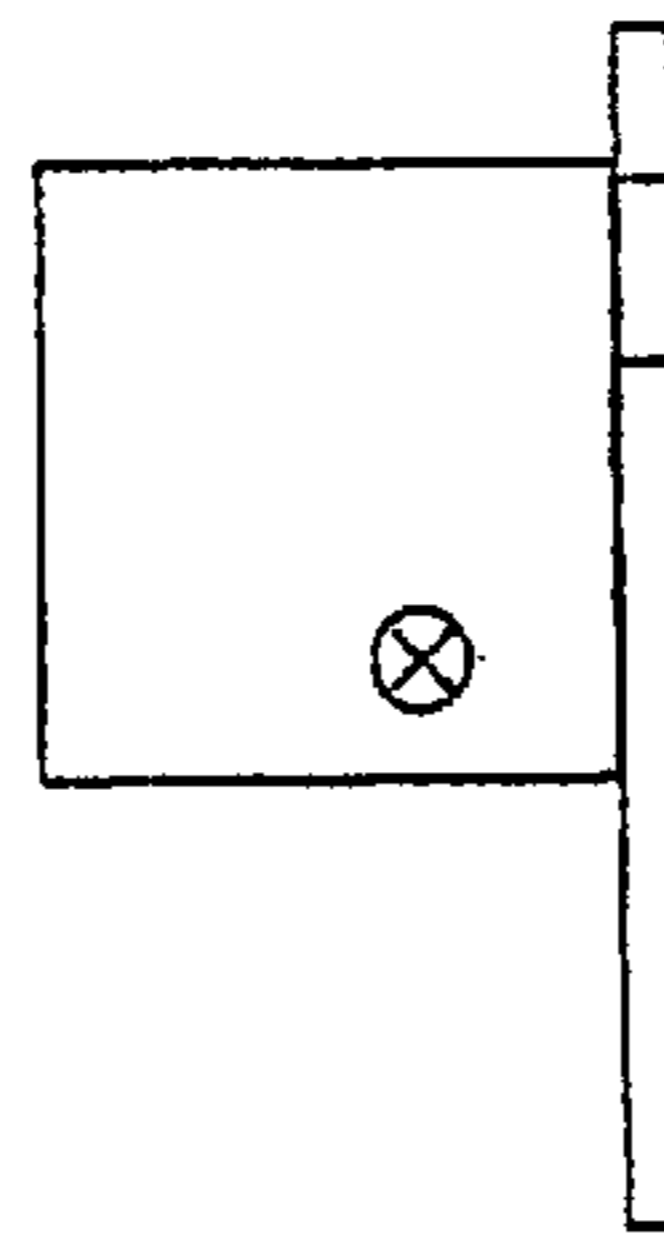


FIG. 4

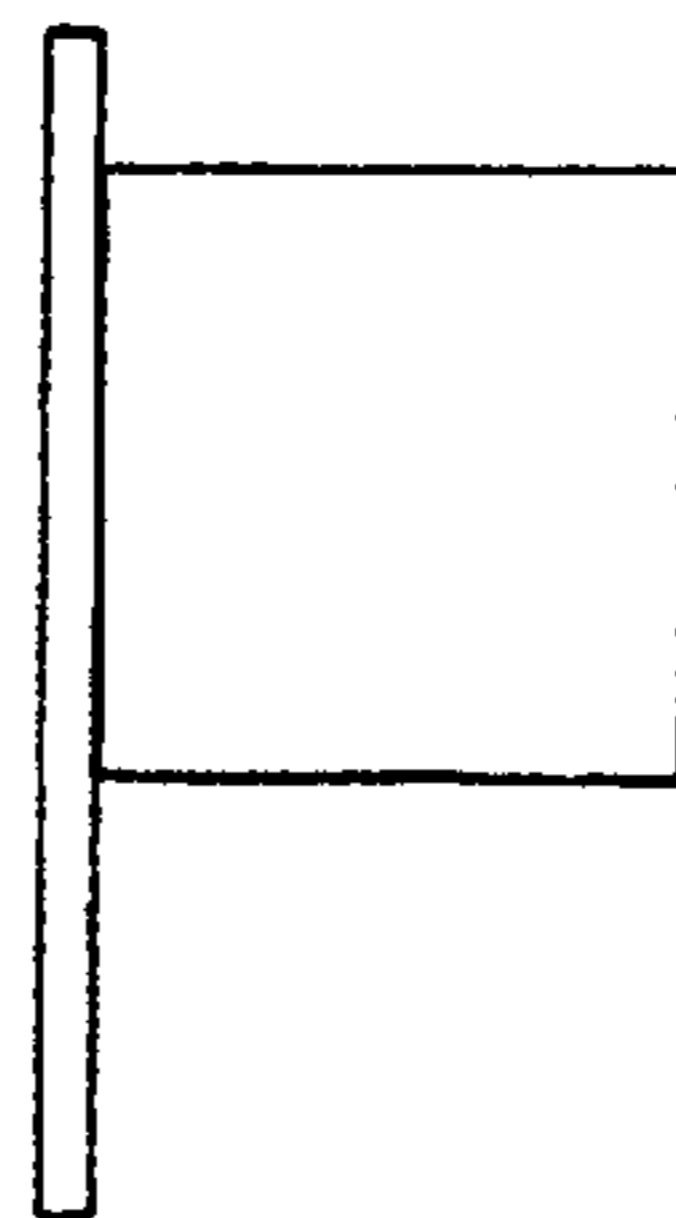


FIG. 5

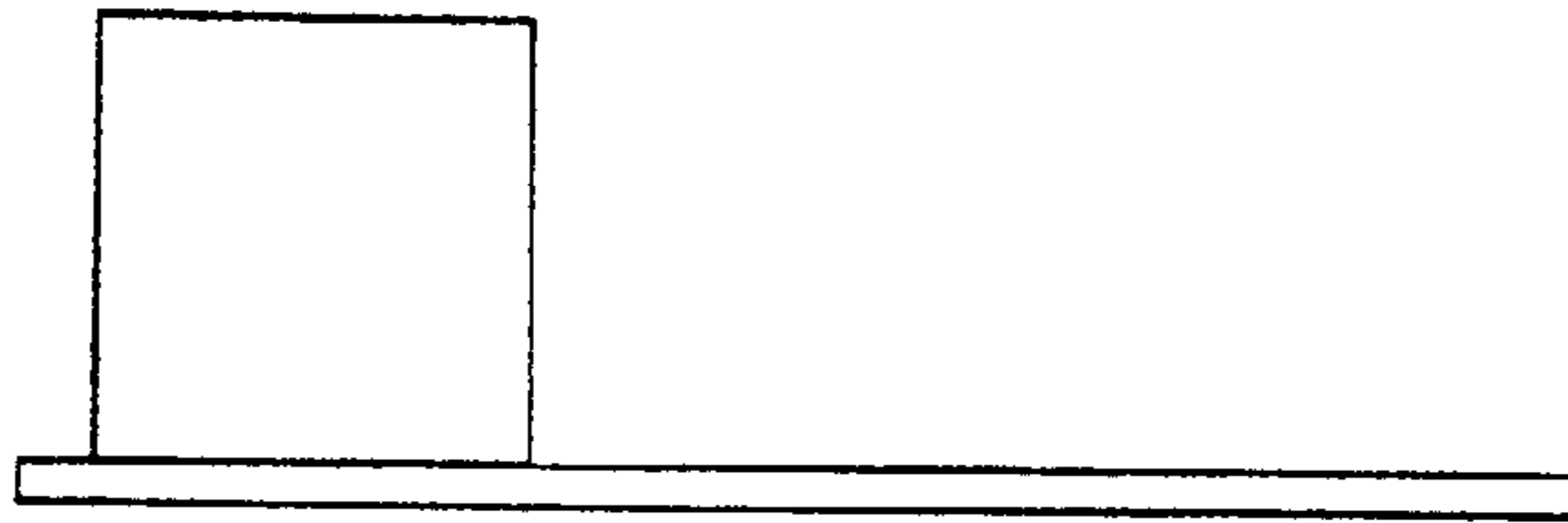


FIG. 6

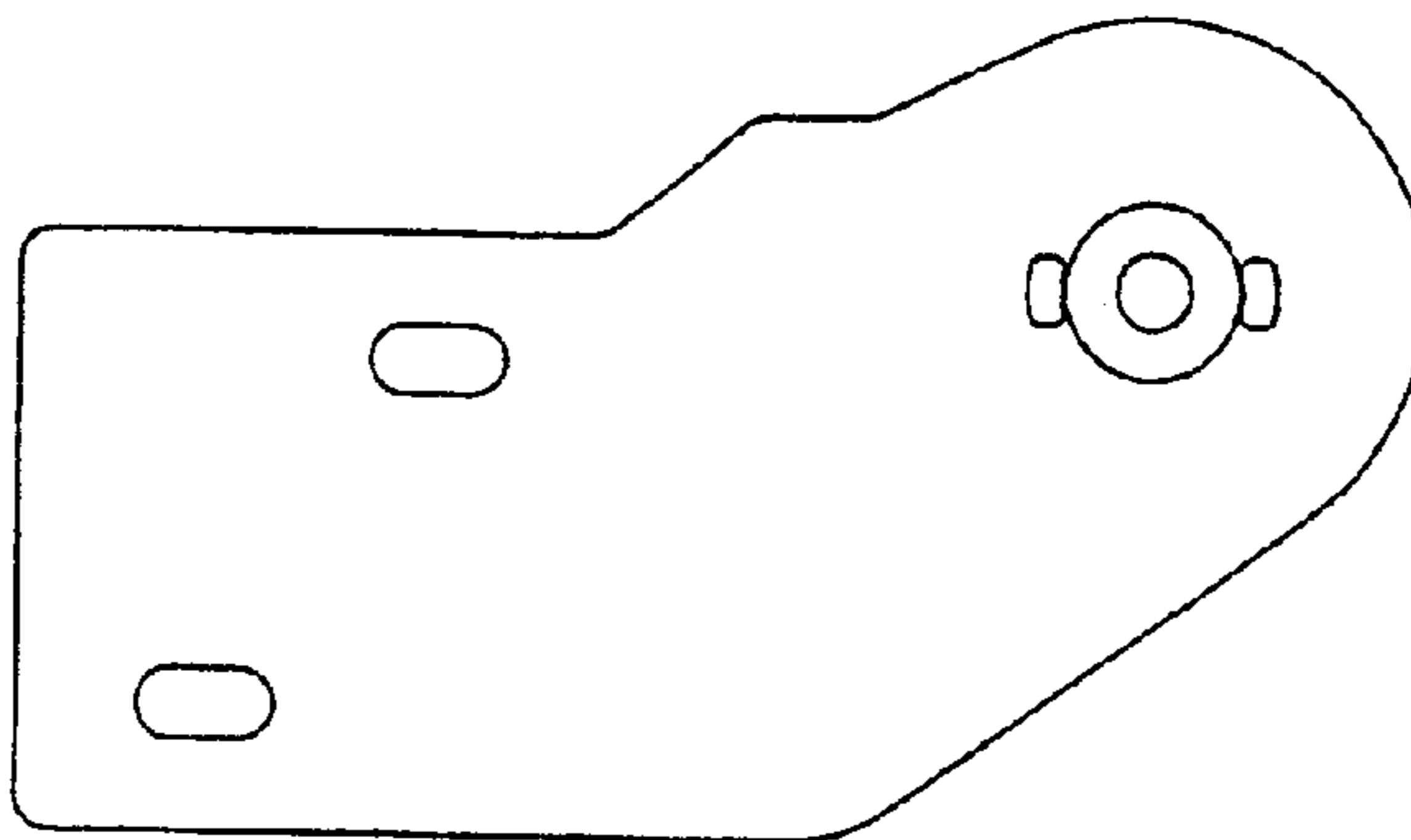


FIG. 7

