



US00D479111S

(12) **United States Design Patent**  
**Wang**

(10) **Patent No.:** **US D479,111 S**

(45) **Date of Patent:** **\*\* Sep. 2, 2003**

(54) **TOOL HANDLE**

(76) Inventor: **Peter Wang**, No. 50-1, Lane 60,  
Jianping 9th St., Anping Chiu, Tainan  
(TW)

(\*\*) Term: **14 Years**

(21) Appl. No.: **29/161,592**

(22) Filed: **Jun. 4, 2002**

(51) **LOC (7) Cl.** ..... **08-04**

(52) **U.S. Cl.** ..... **D8/83; D8/107**

(58) **Field of Search** ..... D8/82, 83, 84,  
D8/85, 86, 87, 107; 16/110 R; 81/177.1,  
436, 439, 440, 489

(56) **References Cited**

**U.S. PATENT DOCUMENTS**

D273,268 S	*	4/1984	Smith	.....	D8/83
D386,382 S	*	11/1997	Shiao	.....	D8/107
D416,776 S	*	11/1999	Liu	.....	D8/83
D422,870 S	*	4/2000	Chen	.....	D8/83
6,148,701 A	*	11/2000	Lee	.....	81/489
D442,049 S	*	5/2001	Shu	.....	D8/83
D443,193 S	*	6/2001	Chen	.....	D8/107

D444,370 S	*	7/2001	Chang	.....	D8/107
D445,658 S	*	7/2001	Dierolf	.....	D8/83
D446,105 S	*	8/2001	Hsiao	.....	D8/107
D454,477 S	*	3/2002	Lin	.....	D8/83
D460,676 S	*	7/2002	Lin	.....	D8/83

\* cited by examiner

*Primary Examiner*—Philip S. Hyder

(74) *Attorney, Agent, or Firm*—Birch, Stewart, Kolasch & Birch, LLP

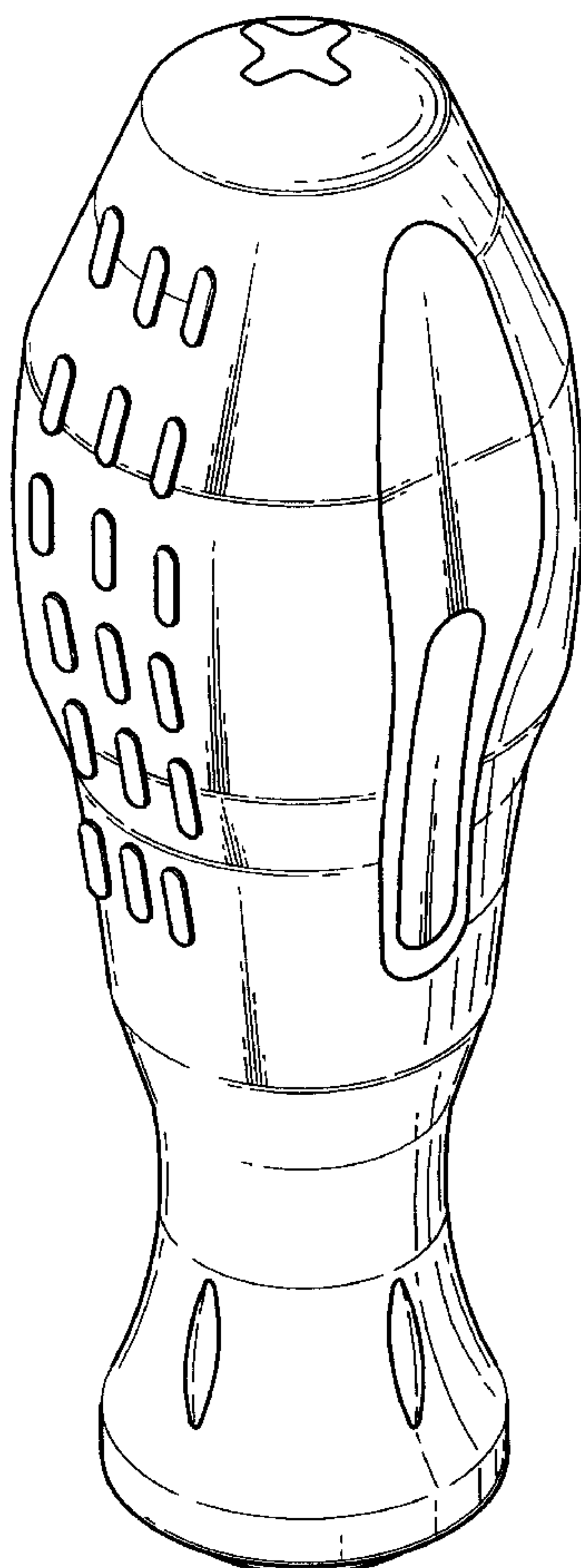
(57) **CLAIM**

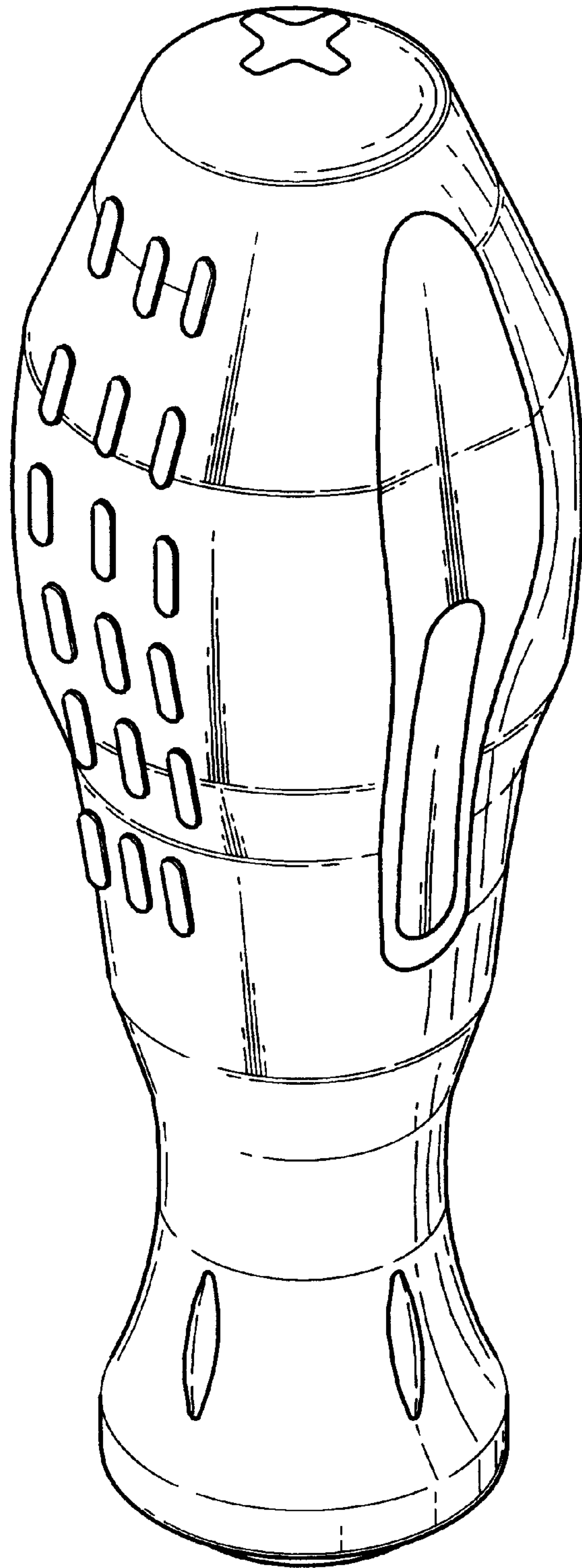
The ornamental design for a tool handle, as shown and described.

**DESCRIPTION**

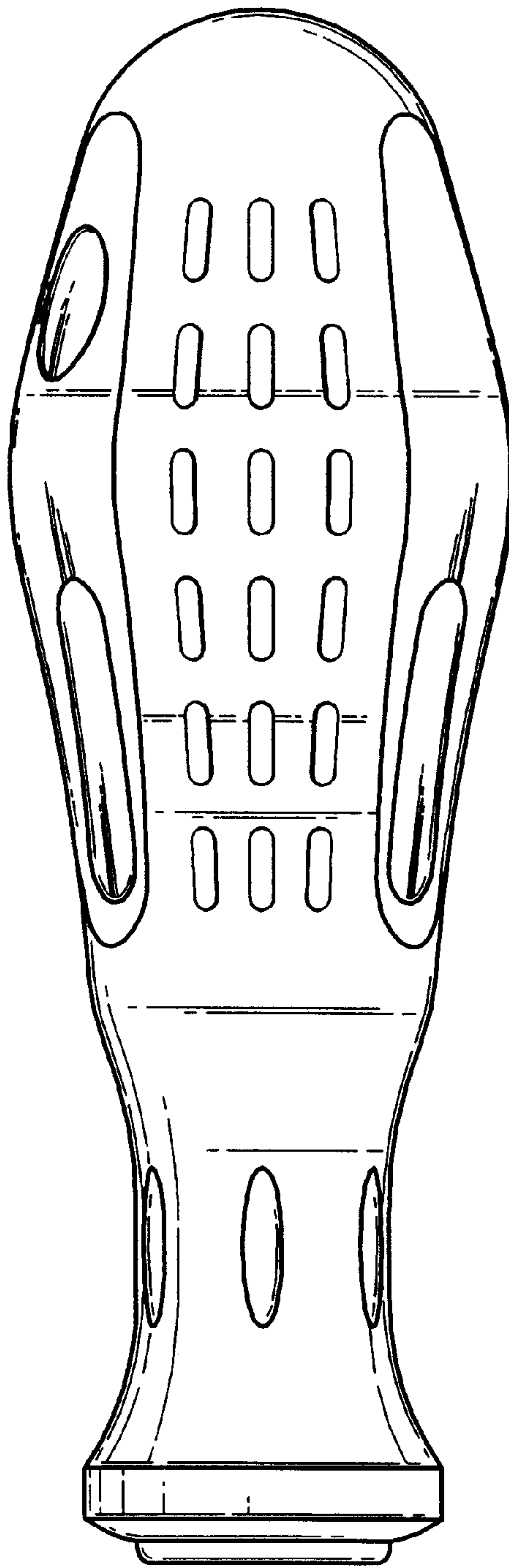
FIG. 1 is a perspective view of a tool handle showing our new design thereof;  
FIG. 2 is a front side elevational view;  
FIG. 3 is a rear side elevational view;  
FIG. 4 is left side elevational view;  
FIG. 5 is a right side elevational view;  
FIG. 6 is a top plan view thereof; and,  
FIG. 7 is a bottom plan view thereof.

**1 Claim, 6 Drawing Sheets**

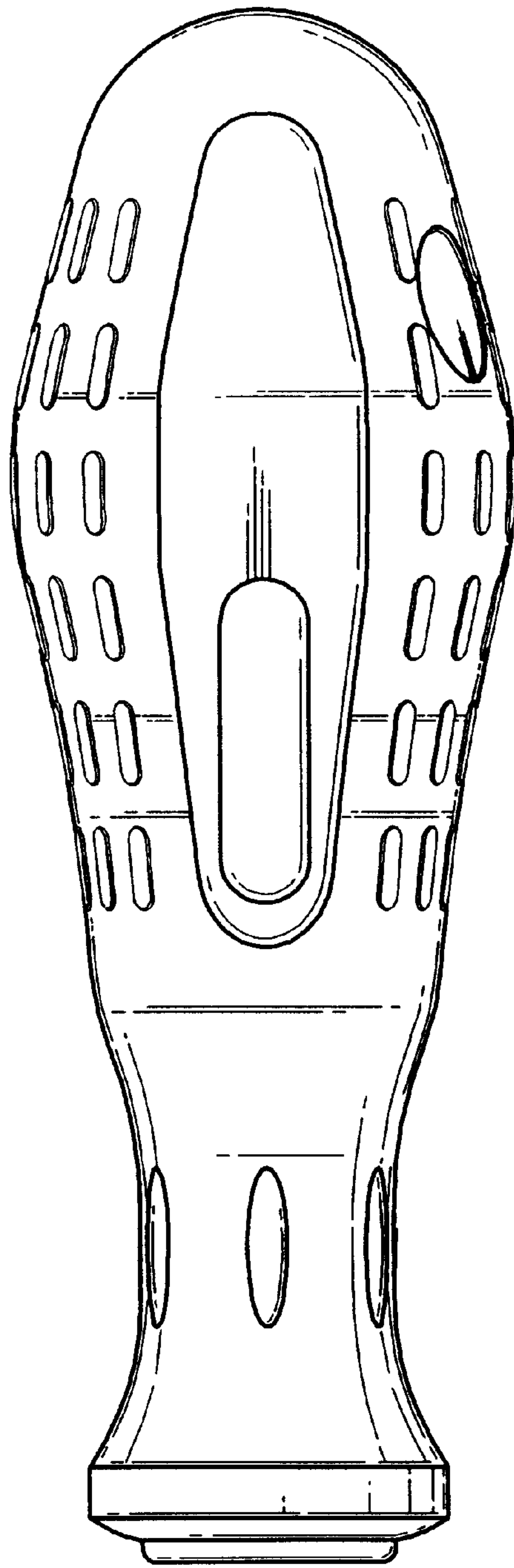




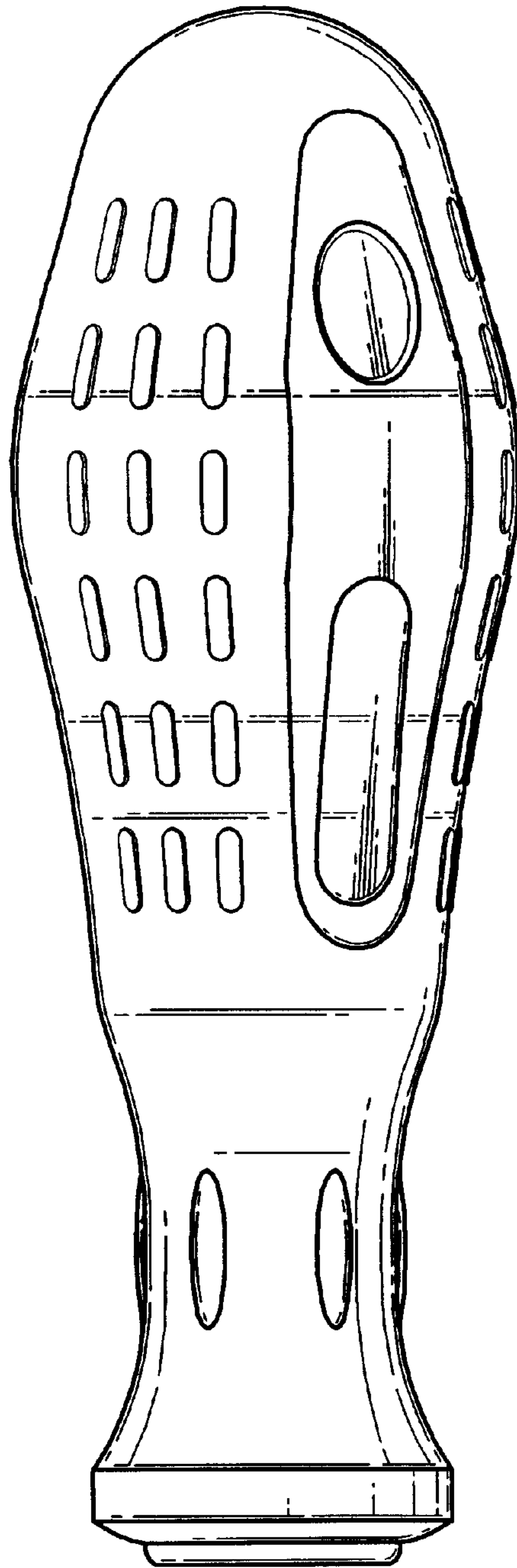
F I G . 1



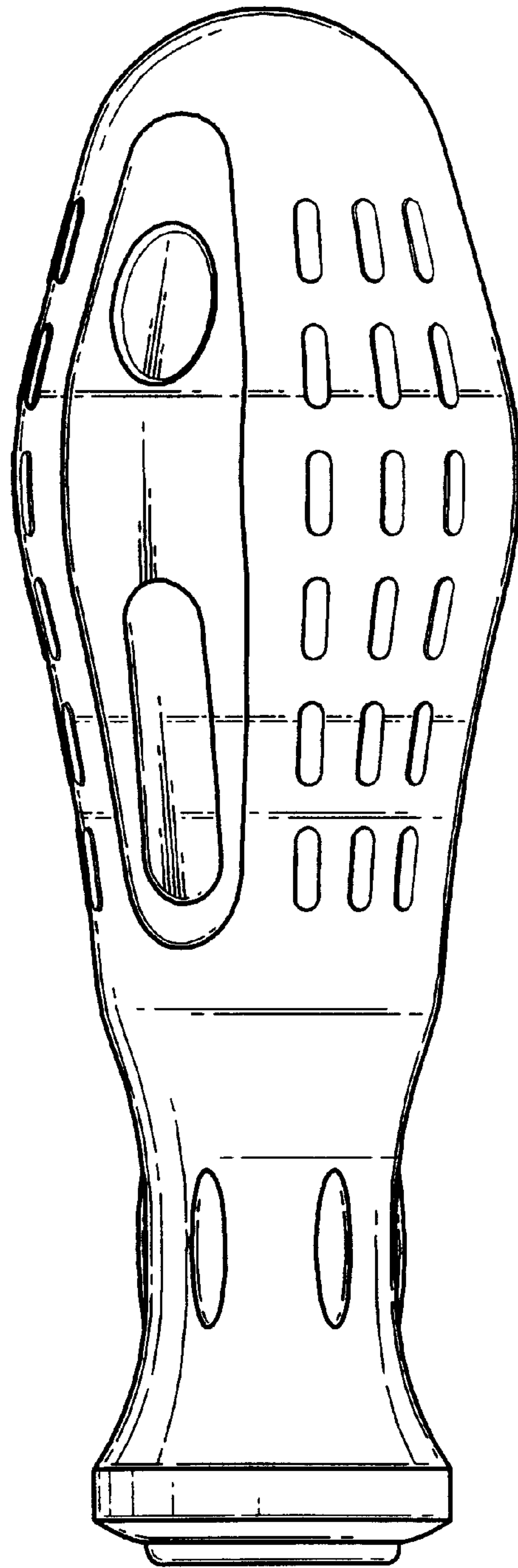
F I G. 2



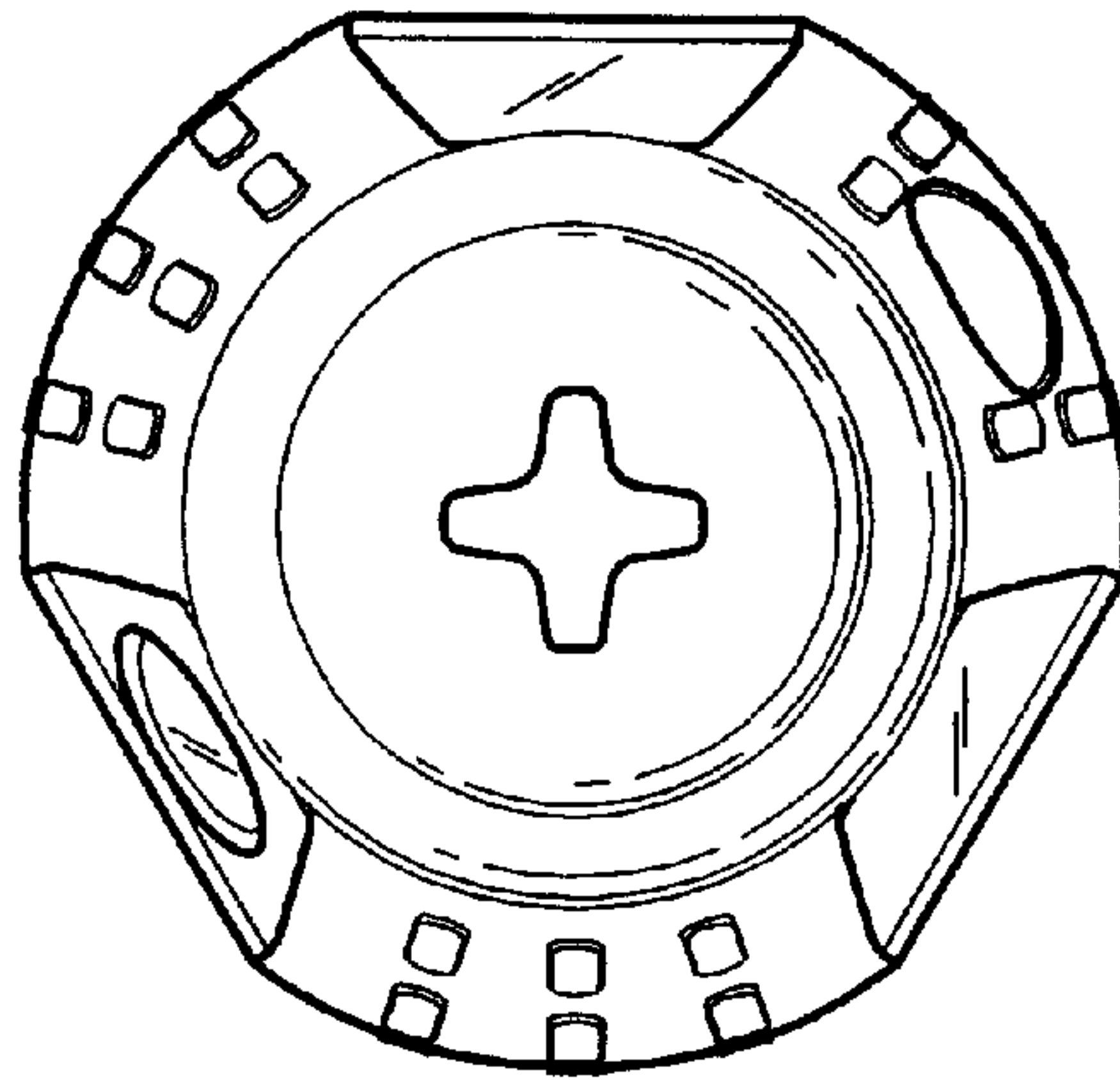
F I G. 3



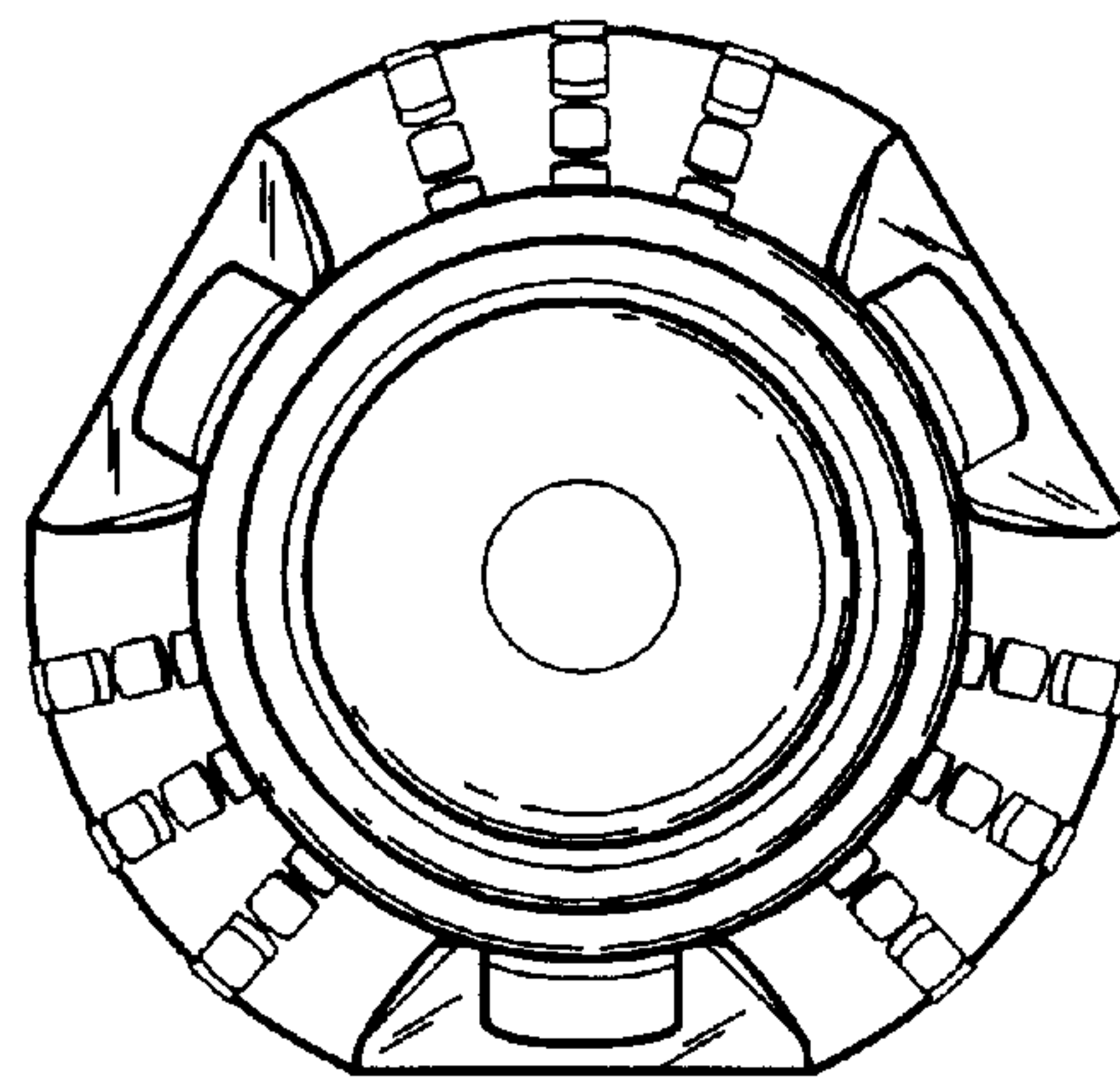
F I G. 4



F I G. 5



F I G. 6



F I G. 7