



US00D479110S

(12) **United States Design Patent**  
Nolan et al.

(10) **Patent No.:** **US D479,110 S**

(45) **Date of Patent:** **\*\* Sep. 2, 2003**

(54) **PNEUMATIC FASTENER APPLICATION TOOL**

(75) **Inventors:** **Patrick B. Nolan**, Shelton, CT (US);  
**Daniel R. Burgjohann, Jr.**, Warwick, RI (US); **Brian C. Burke**, Warwick, RI (US); **Kenneth Warren**, Harrisville, RI (US); **Prudencio S. Canlas, Jr.**, North Kingstown, RI (US)

(73) **Assignee:** **Stanley Fastening Systems, L.P.**, East Greenwich, RI (US)

(\*\*) **Term:** **14 Years**

(21) **Appl. No.:** **29/163,687**

(22) **Filed:** **Jul. 11, 2002**

(51) **LOC (7) Cl.** ..... **08-05**

(52) **U.S. Cl.** ..... **D8/68; D8/69**

(58) **Field of Search** ..... D8/61, 62, 63,  
D8/64, 65, 66, 67, 68, 69, 70; 81/57.11,  
429, 464, 465, 466, 469, 489; 173/13, 169,  
178, 213, 217; 227/8, 114, 120, 130, 136,  
142; 310/50; 408/20, 124, 125, 234, 241 R;  
451/358

(56) **References Cited**

**U.S. PATENT DOCUMENTS**

D338,818 S	*	8/1993	Katsuba	.....	D8/69
5,522,533 A	*	6/1996	Mukoyama et al.	.....	227/136
D377,590 S	*	1/1997	Lai	.....	D8/68
5,593,079 A	*	1/1997	Mukoyama et al.	.....	227/130
D383,657 S	*	9/1997	Kaiser	.....	D8/68
5,727,726 A	*	3/1998	Lin	.....	227/120

D410,182 S	*	5/1999	Etter et al.	.....	D8/69
5,967,396 A	*	10/1999	Chuang	.....	227/120
D416,182 S	*	11/1999	Kaiser et al.	.....	D8/69
6,186,386 B1	*	2/2001	Canlas et al.	.....	227/8
D459,184 S	*	6/2002	Buck	.....	D8/69
D462,884 S	*	9/2002	Oh	.....	D8/69

\* cited by examiner

*Primary Examiner*—Doris V. Coles

*Assistant Examiner*—T. Chase Nelson

(74) *Attorney, Agent, or Firm*—Pillsbury Winthrop LLP

(57) **CLAIM**

The ornamental design for pneumatic fastener application tool, as shown and described.

**DESCRIPTION**

FIG. 1 is a side elevational view of a pneumatic fastener application tool according to one embodiment of the present invention;

FIG. 2 is a rear elevational view thereof;

FIG. 3 is a top plan view thereof;

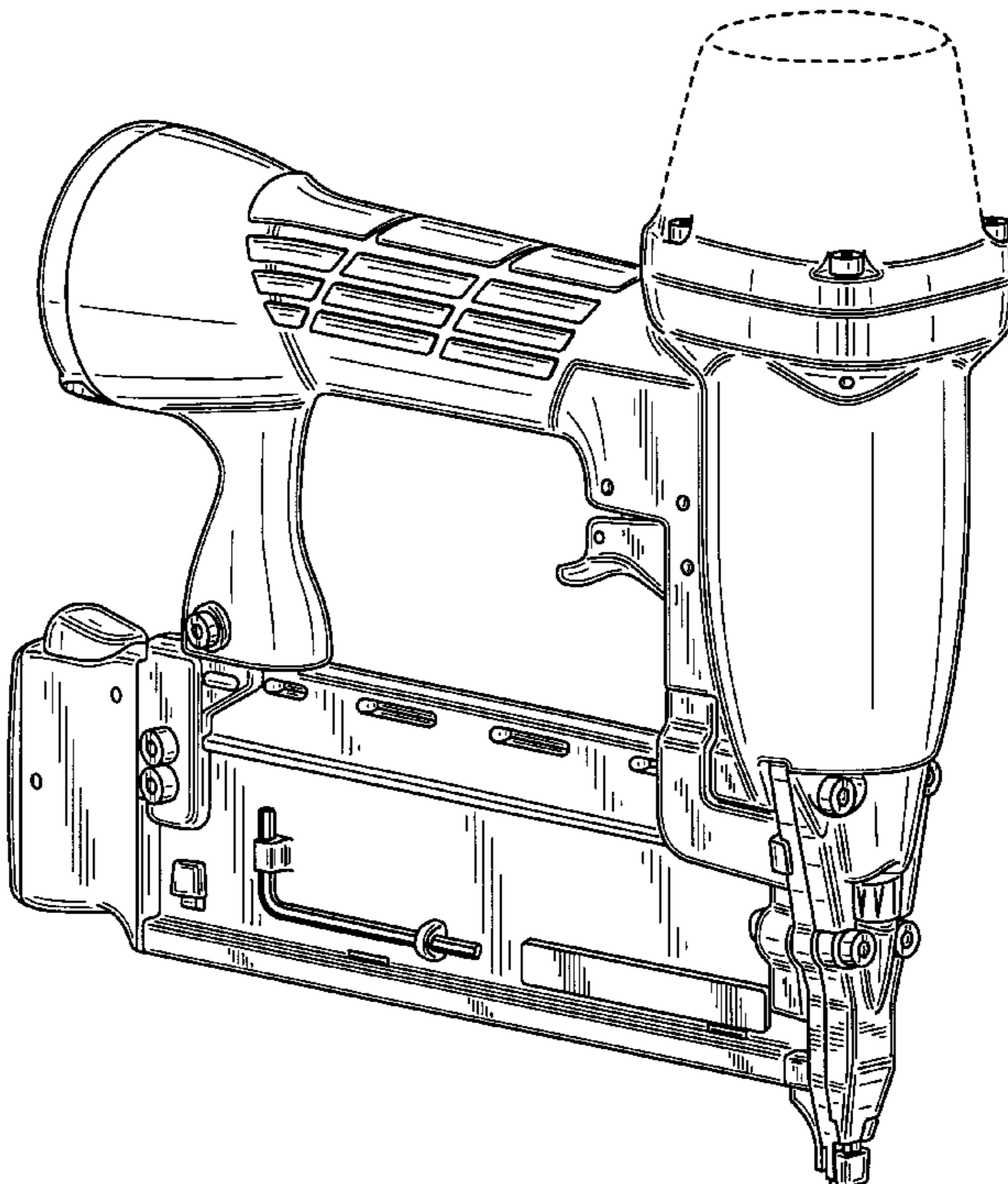
FIG. 4 is a bottom plan view thereof;

FIG. 5 is a perspective view thereof; and,

FIG. 6 is a perspective view of a pneumatic fastener application tool according to a second embodiment of the present invention. The other views of this embodiment correspond to the views of the first embodiment and are the same except for the differences in the height and width of the lower bar element.

Where included, broken lines showing environment or structure are for illustrative purposes only and form no part of the claimed design.

**1 Claim, 5 Drawing Sheets**



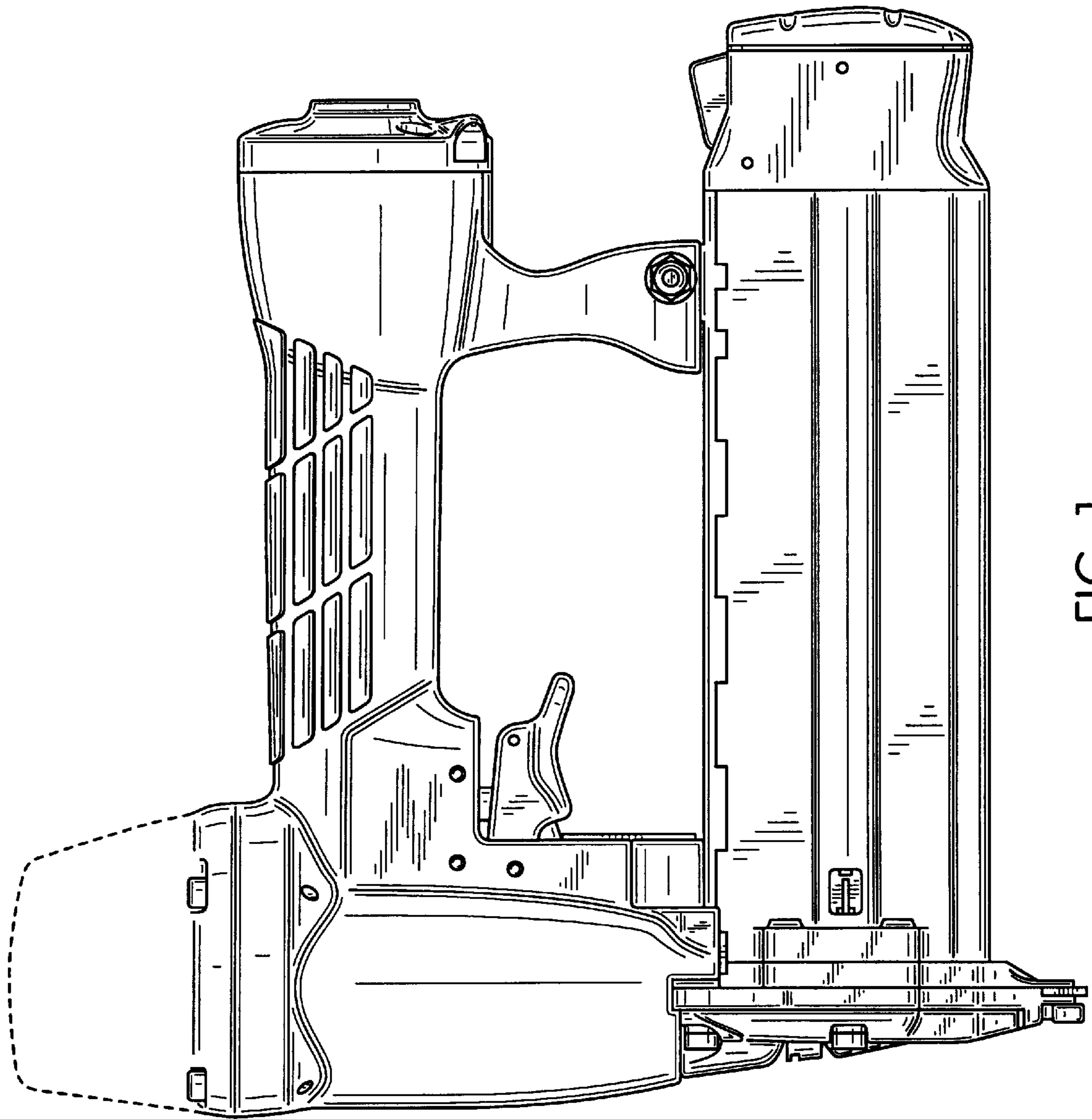


FIG. 1

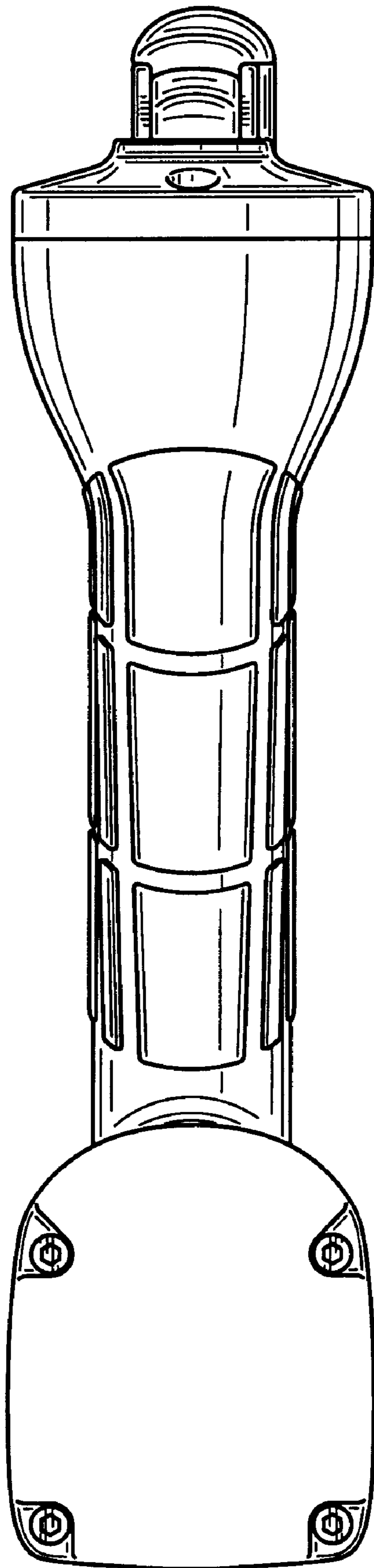


FIG. 2

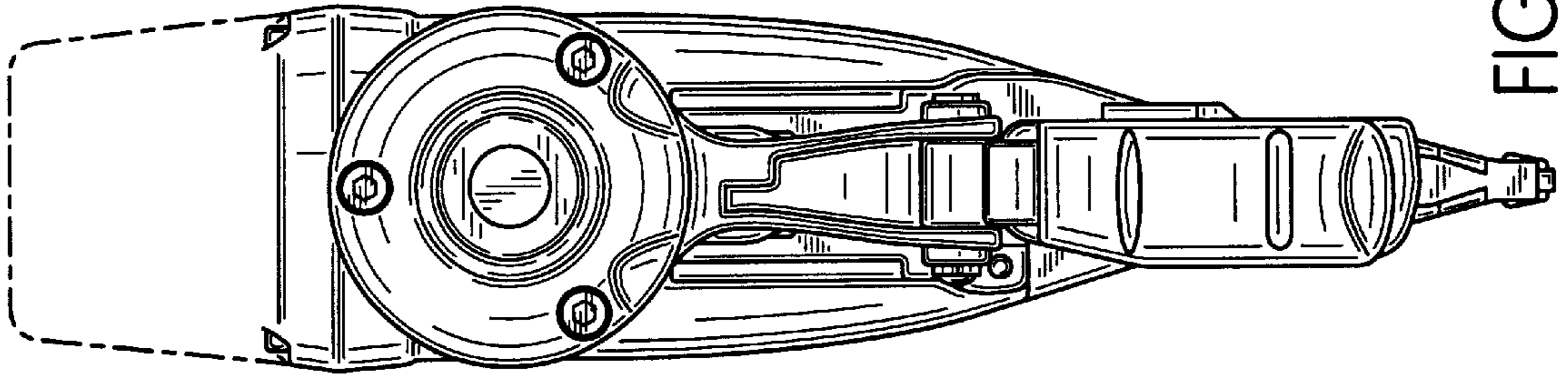


FIG. 4

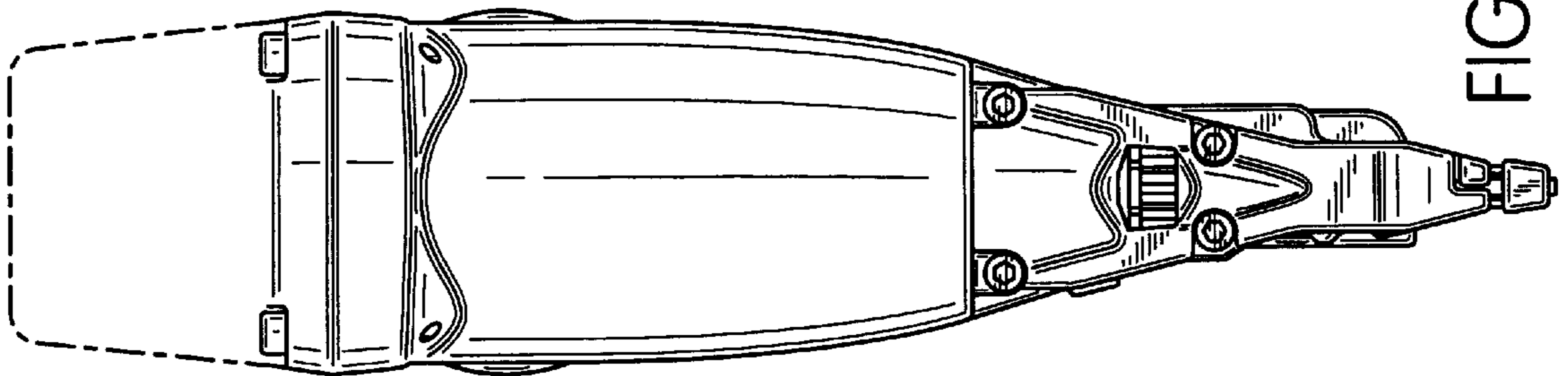


FIG. 3

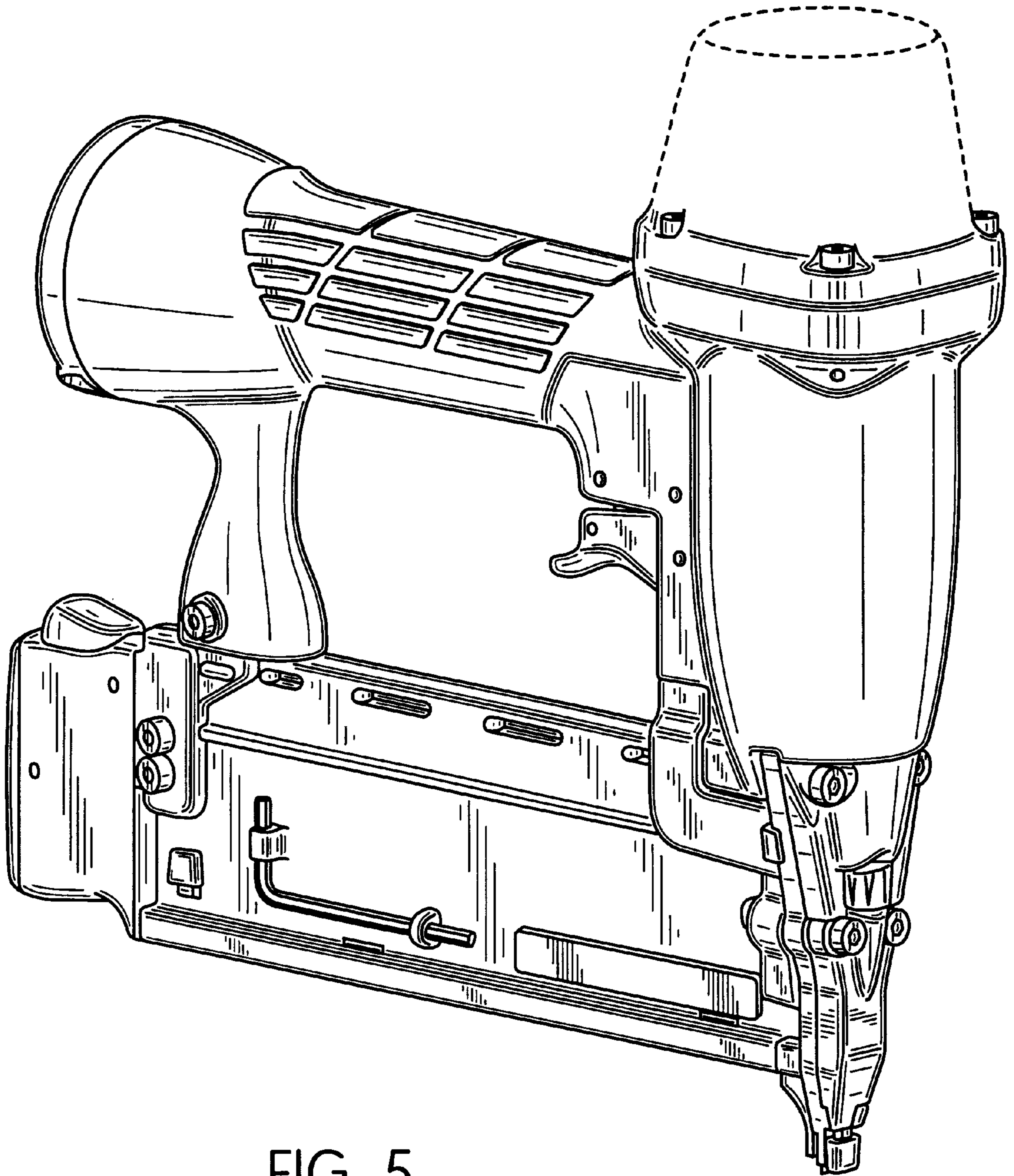


FIG. 5

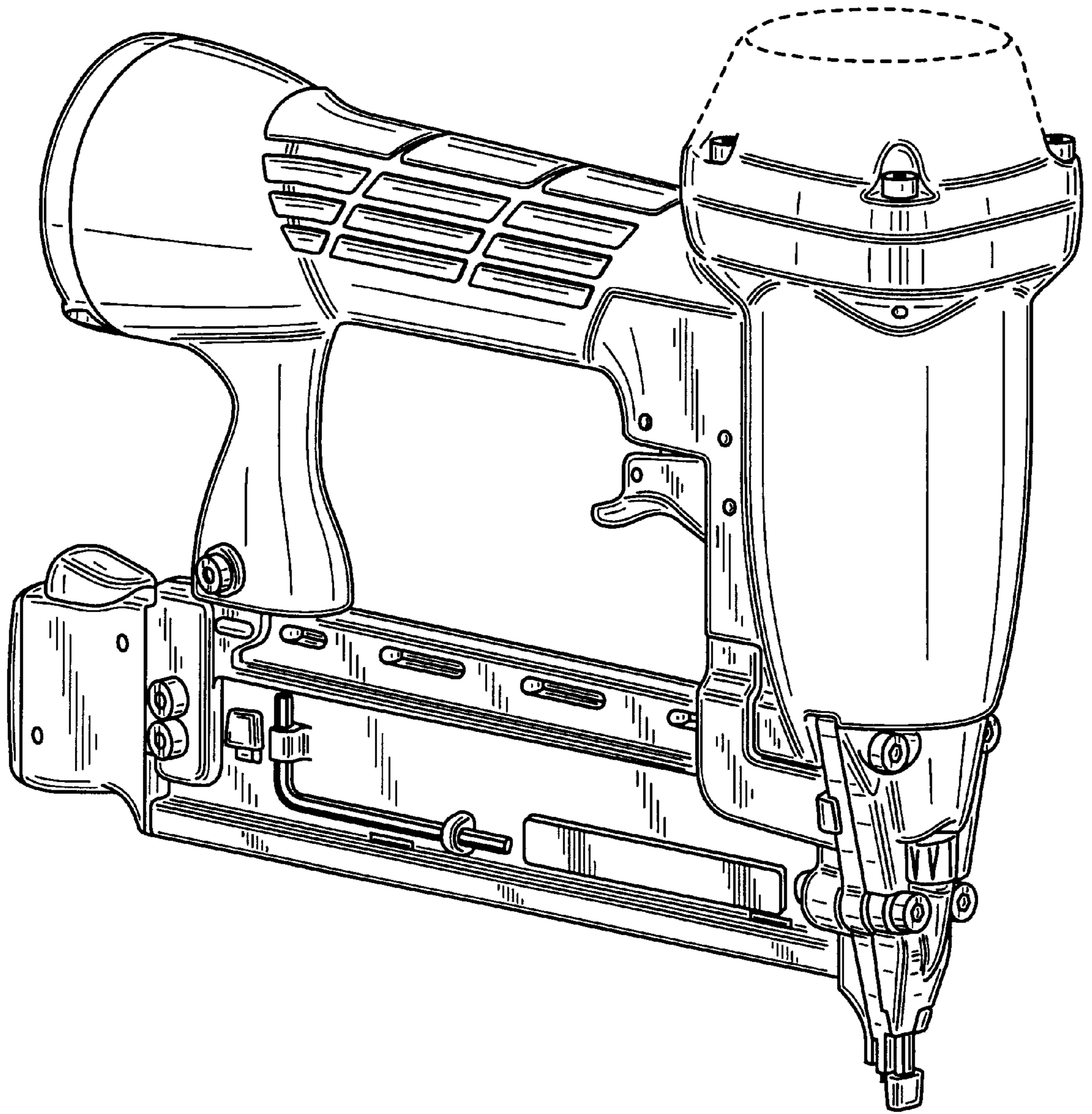


FIG. 6