



US00D479108S

(12) **United States Design Patent**  
**Schmidt**

(10) **Patent No.:** **US D479,108 S**

(45) **Date of Patent:** **\*\* Sep. 2, 2003**

- (54) **SAFETY BLADE**
- (75) Inventor: **G. Gerry Schmidt**, Newport Beach, CA (US)
- (73) Assignee: **Pacific Handy Cutter, Inc.**, Costa Mesa, CA (US)
- (\*\*) Term: **14 Years**
- (21) Appl. No.: **29/172,152**
- (22) Filed: **Dec. 5, 2002**
- (51) **LOC (7) Cl.** ..... **08-03**
- (52) **U.S. Cl.** ..... **D8/20**
- (58) **Field of Search** ..... D8/9, 20, 70, 92, D8/95, 96, 98, 99; D23/45, 47; D24/146, 147; 30/162, 335, 339, 346, 346.5, 346.58, 346.59, 346.61, 351

- 4,509,260 A \* 4/1985 Gringer ..... 30/162
- 5,103,564 A \* 4/1992 MacDonald ..... 30/346.61
- 5,337,482 A 8/1994 Schmidt
- 5,406,707 A \* 4/1995 Owens et al. .... 30/162
- D406,220 S \* 3/1999 Schmidt ..... D8/20
- D406,221 S \* 3/1999 Schmidt ..... D8/20

\* cited by examiner

*Primary Examiner*—Doris V. Coles  
*Assistant Examiner*—Elizabeth A. Albert  
 (74) *Attorney, Agent, or Firm*—Henricks, Slavin & Holmes LLP

(57) **CLAIM**

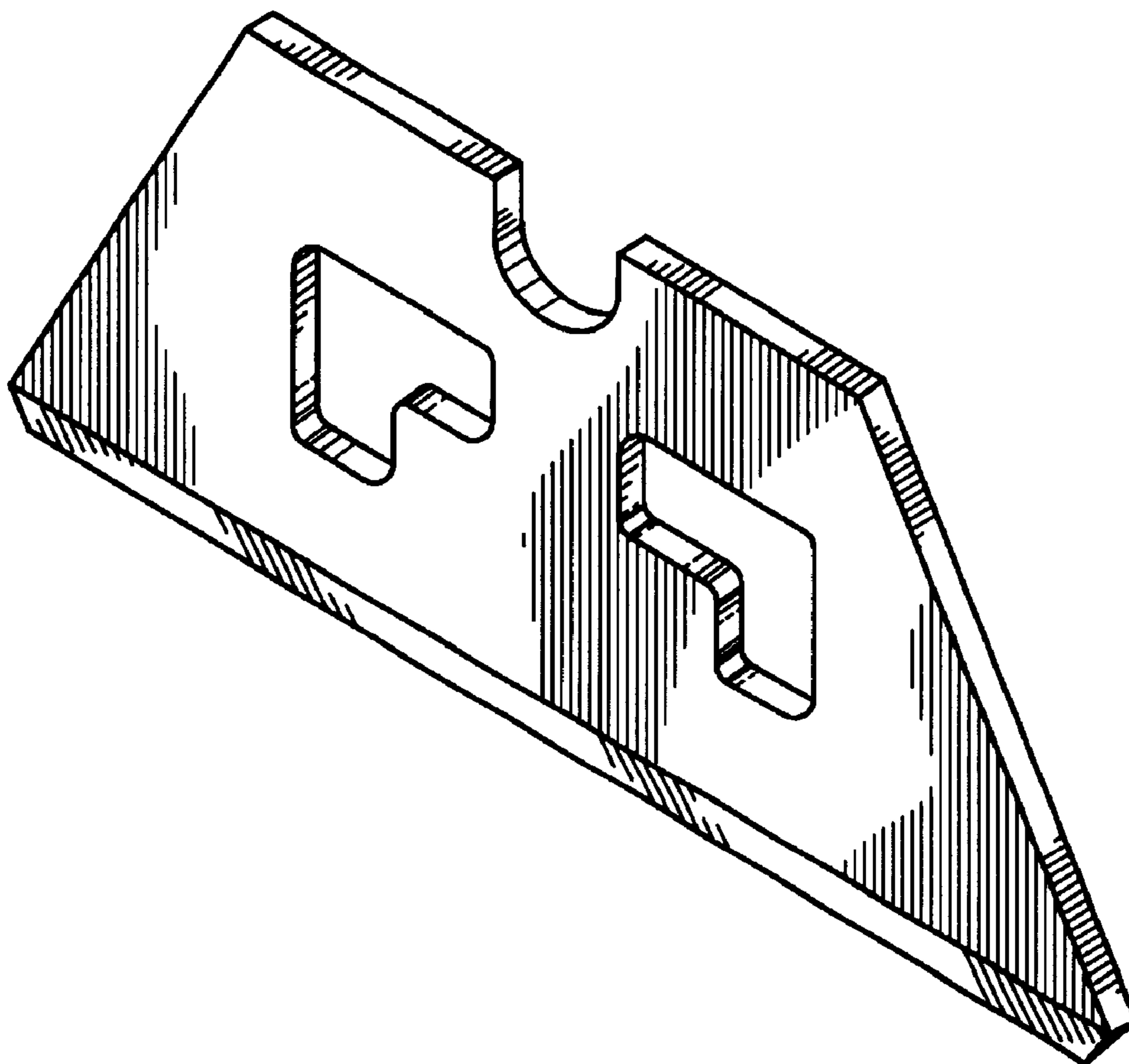
I claim the ornamental design for a safety blade, as shown and described.

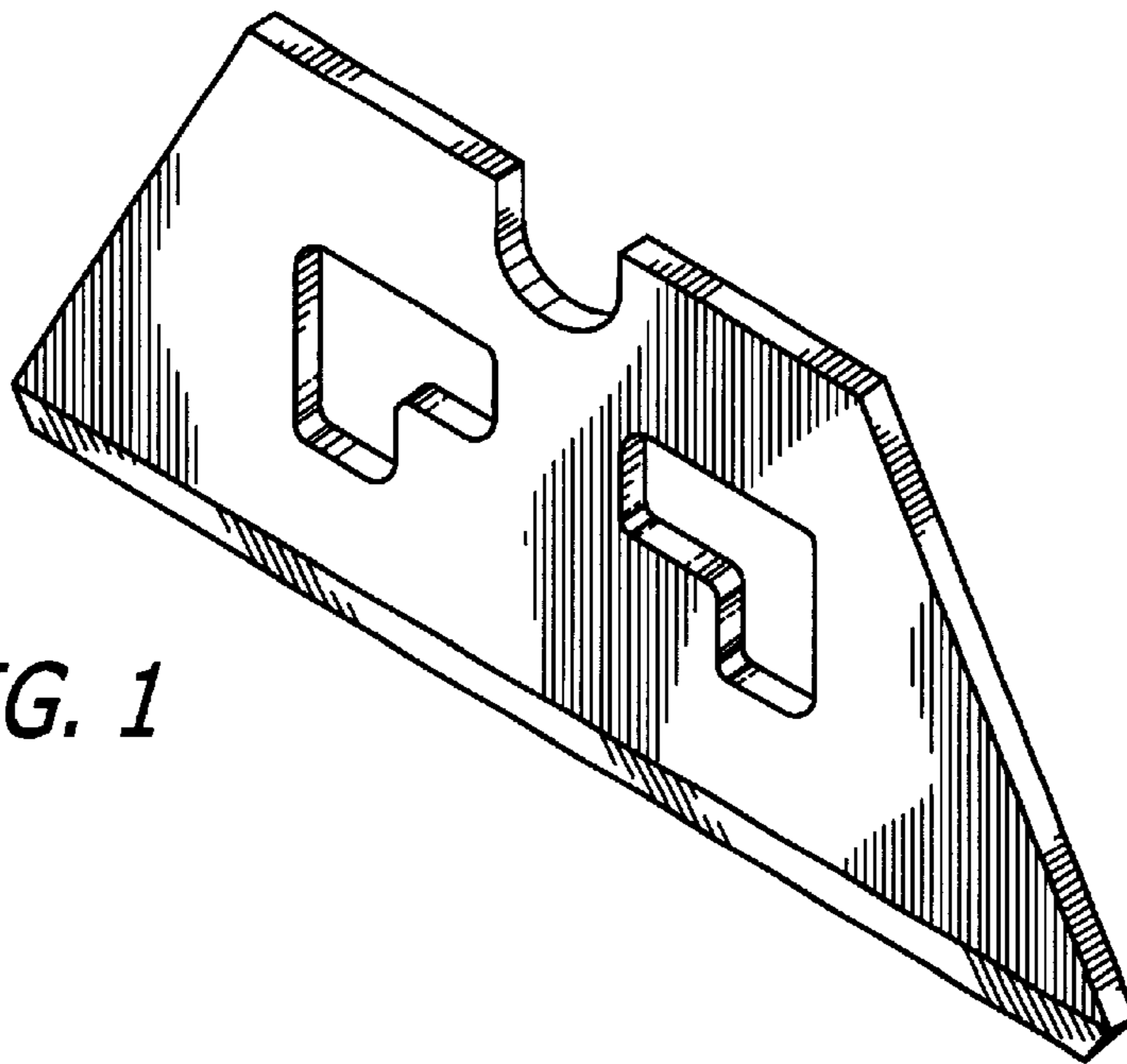
**DESCRIPTION**

FIG. 1 is a front, top and right side perspective view of a safety blade showing my new design;  
 FIG. 2 is a front elevational view thereof;  
 FIG. 3 is a top plan view thereof;  
 FIG. 4 is a bottom plan view thereof; and,  
 FIG. 5 is a right side elevational view thereof.

**1 Claim, 1 Drawing Sheet**

- (56) **References Cited**
- U.S. PATENT DOCUMENTS**
- 1,877,149 A \* 9/1932 Sylvan ..... 30/346.61
- D124,684 S \* 1/1941 Werner ..... D28/47
- 4,489,489 A \* 12/1984 Sarto ..... 30/346

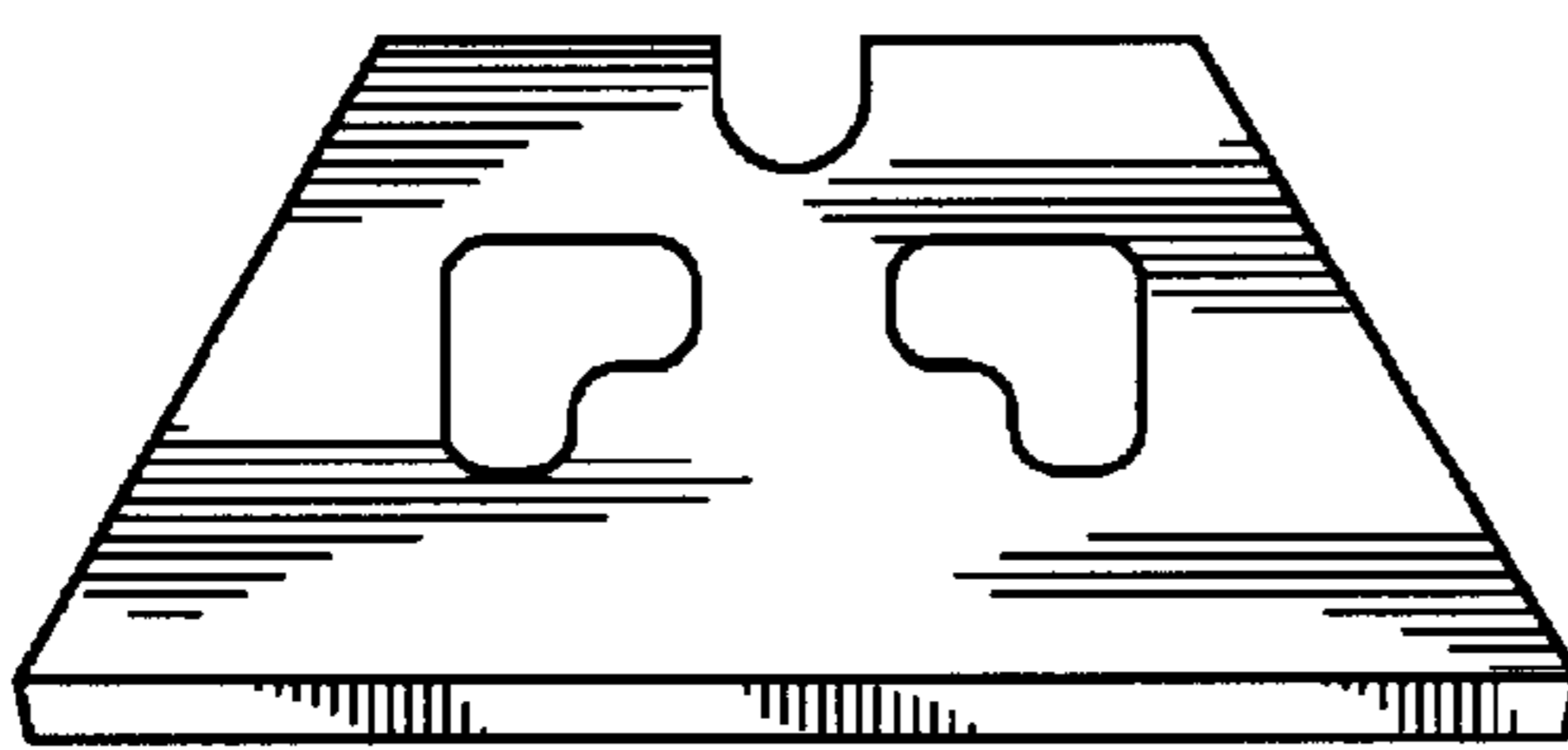




*FIG. 1*



*FIG. 3*



*FIG. 2*



*FIG. 5*



*FIG. 4*