



US00D479091S

(12) **United States Design Patent**  
**Glucksman et al.**

(10) **Patent No.:** **US D479,091 S**

(45) **Date of Patent:** **\*\* Sep. 2, 2003**

(54) **WATER KETTLE**

(75) Inventors: **Dov Z. Glucksman**, Wenham, MA  
(US); **Laura J. Nickerson**, Andover,  
MA (US)

(73) Assignee: **Appliance Development Corporation**,  
Danvers, MA (US)

(\*\*) Term: **14 Years**

(21) Appl. No.: **29/168,513**

(22) Filed: **Oct. 3, 2002**

(51) **LOC (7) Cl.** ..... **07-01**

(52) **U.S. Cl.** ..... **D7/319; D7/317; D7/322**

(58) **Field of Search** ..... D7/319, 318, 317,  
D7/316, 312, 300, 321, 322; 222/146.6;  
220/755, 574, 300, 293, 759; 210/282,  
470, 472; 99/323.3, 279, 295

(56) **References Cited**

**U.S. PATENT DOCUMENTS**

2,905,074	A	*	9/1959	Newman	.....	99/295
D207,497	S	*	4/1967	Scavullo	.....	D7/317
4,825,757	A	*	5/1989	Stoner	.....	99/279
5,793,020	A	*	8/1998	O'Neill	.....	219/441
D399,090	S	*	10/1998	Green	.....	D7/319
D411,404	S	*	6/1999	Littmann	.....	D7/319
D414,071	S	*	9/1999	Mork et al.	.....	D7/319

D438,420	S	*	3/2001	Rolfes et al.	.....	D7/319
D447,379	S	*	9/2001	DiNunzio et al.	.....	D7/376
D448,235	S	*	9/2001	Jorgensen	.....	D7/319
D455,314	S	*	4/2002	Choi	.....	D7/319
D463,947	S	*	10/2002	Choi	.....	D7/319
D465,121	S	*	11/2002	Mulle	.....	D7/319
D465,377	S	*	11/2002	Murison et al.	.....	D7/319

\* cited by examiner

*Primary Examiner*—M. N. Pandozzi

(74) *Attorney, Agent, or Firm*—George A. Herbster

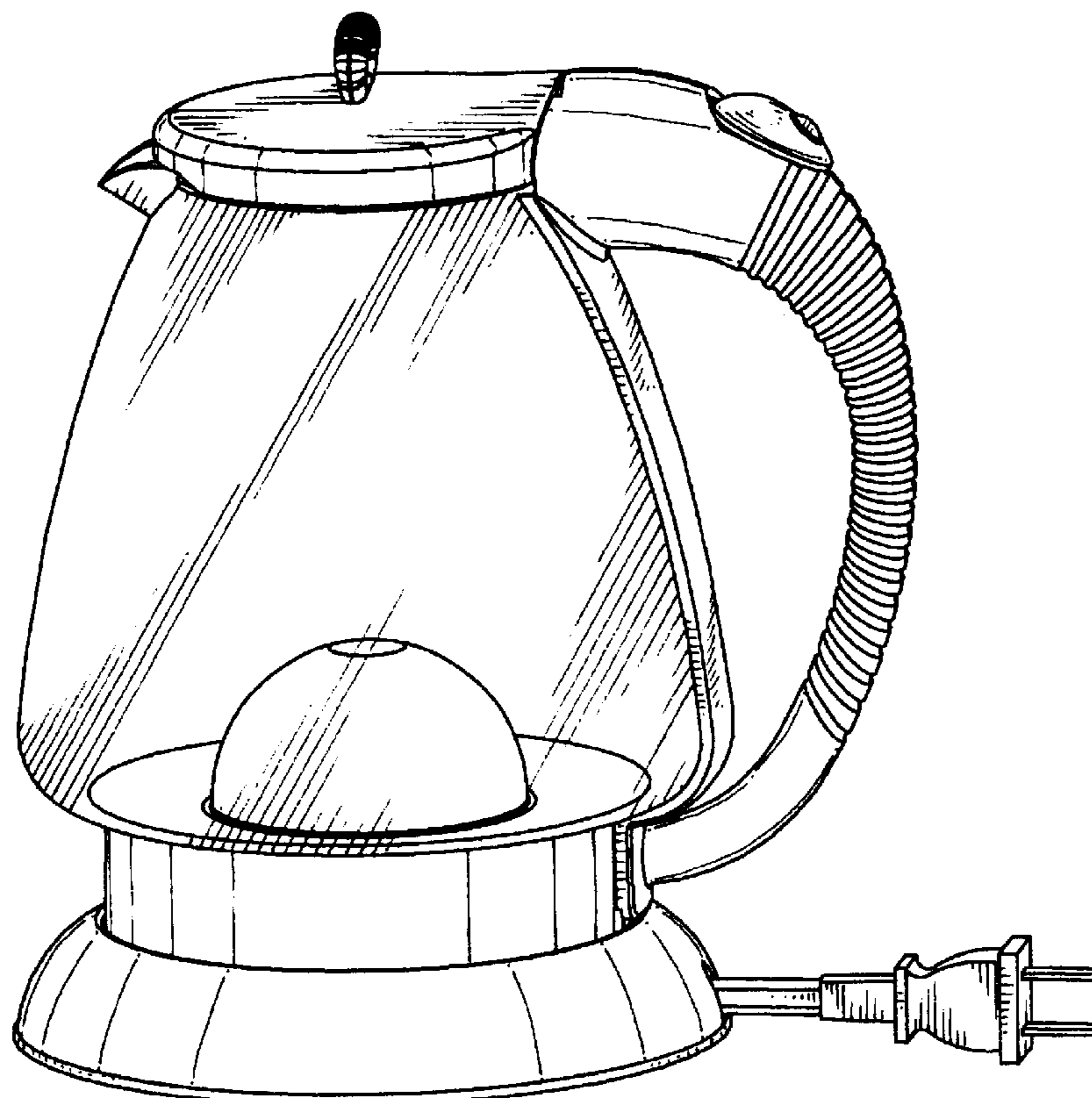
(57) **CLAIM**

The ornamental design for the water kettle, as shown and described above.

**DESCRIPTION**

FIG. 1 is a perspective view of a water kettle showing our new design;  
 FIG. 2 is a front plan view of the water kettle shown in FIG. 1;  
 FIG. 3 is a rear plan view of the water kettle shown in FIG. 1;  
 FIG. 4 is a side elevational view of the water kettle taken from the left of FIG. 1;  
 FIG. 5 is a side elevational view of the water kettle taken from the right of FIG. 1;  
 FIG. 6 is a top plan view of the water kettle; and,  
 FIG. 7 is a bottom plan view of the water kettle in FIG. 1.

**1 Claim, 6 Drawing Sheets**



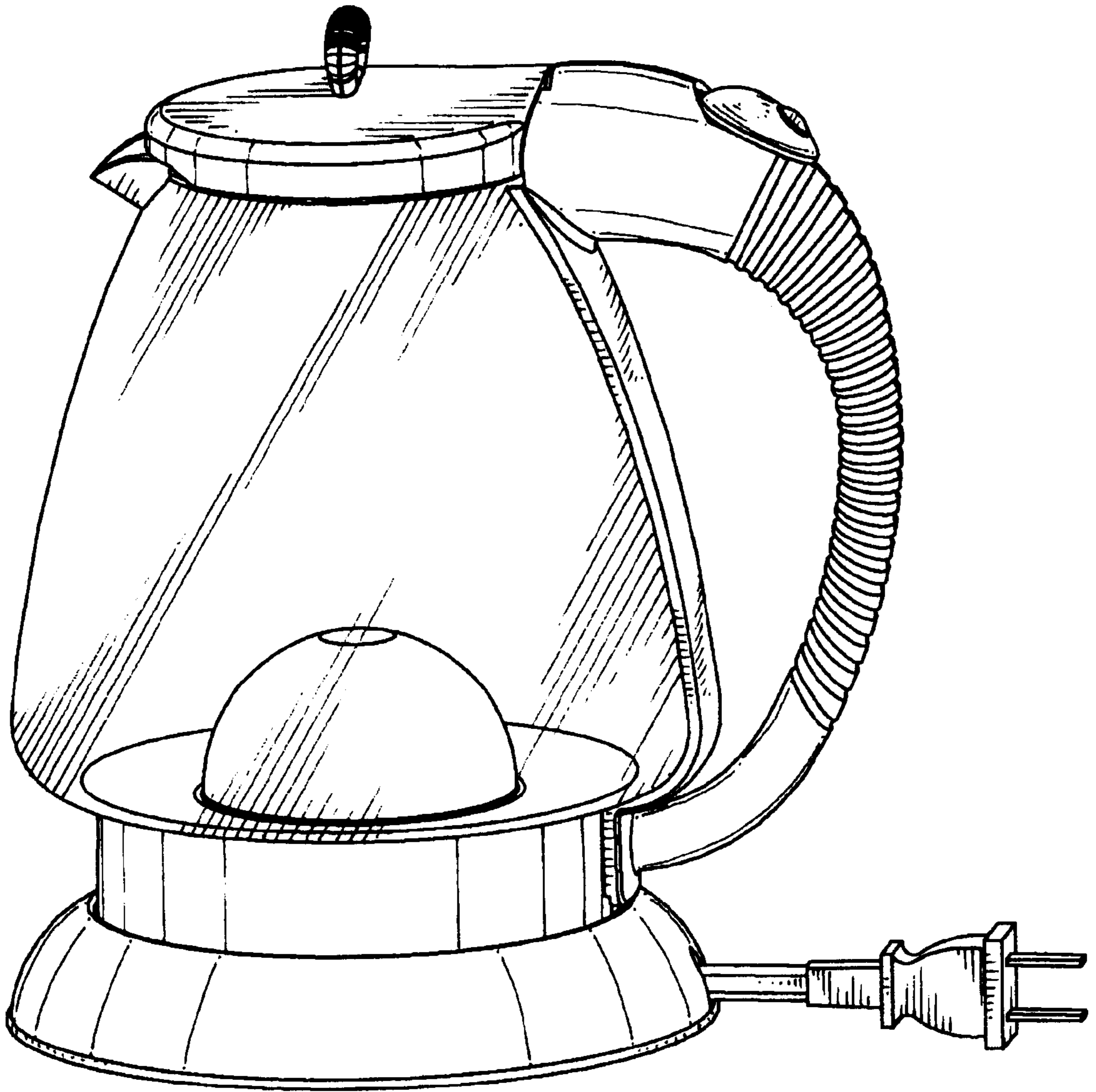


FIG. 1

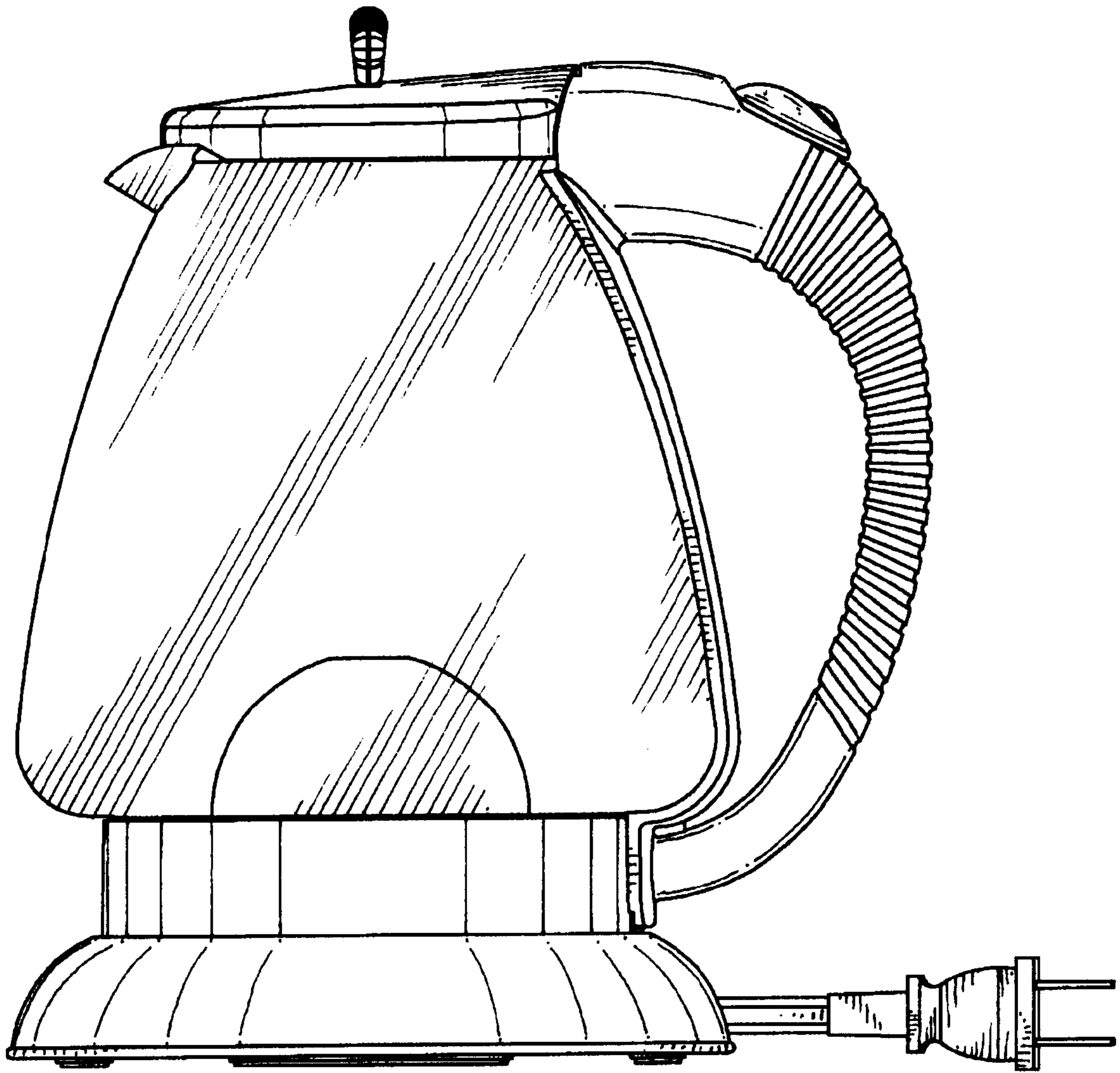


FIG. 2

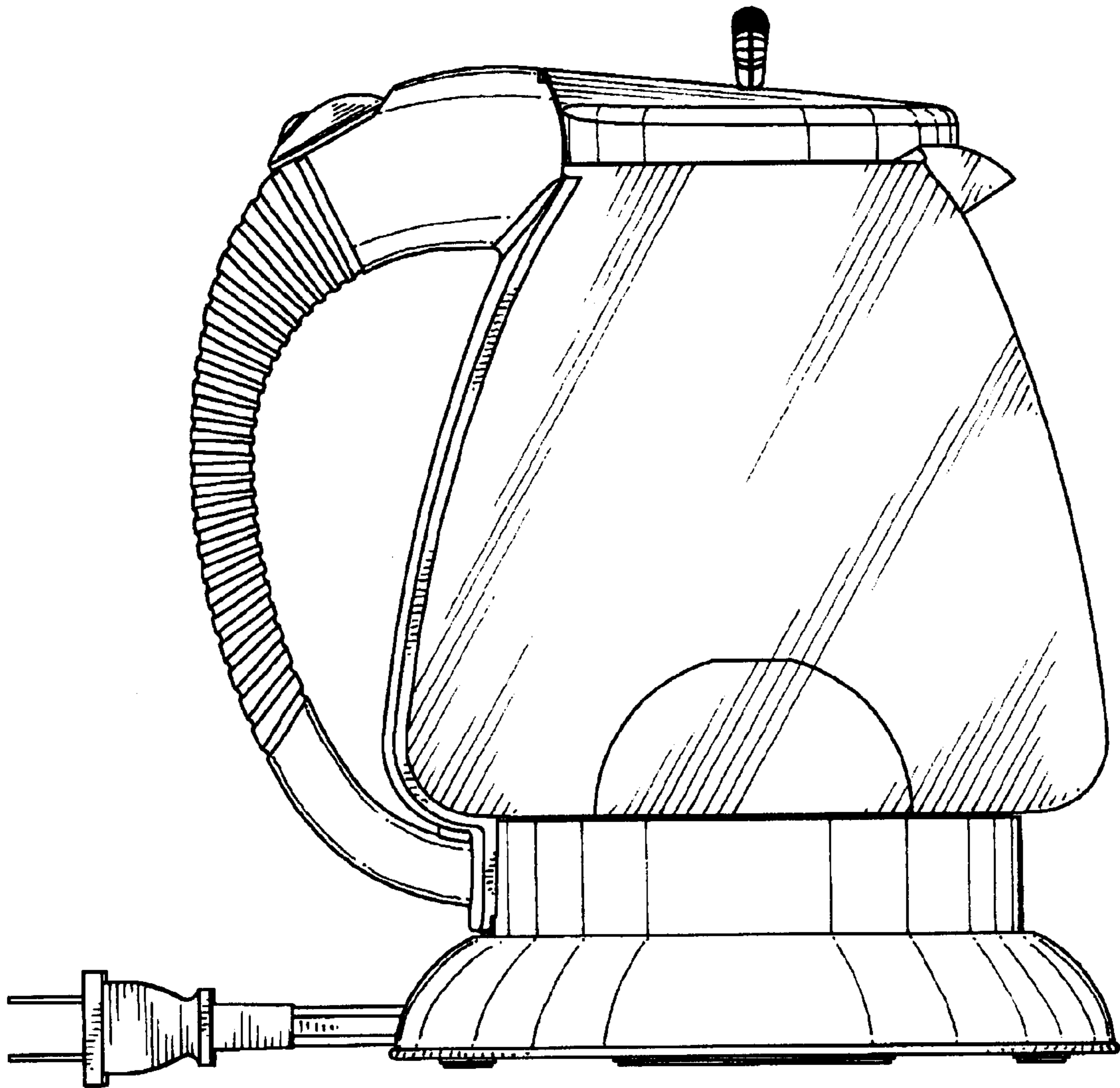


FIG. 3

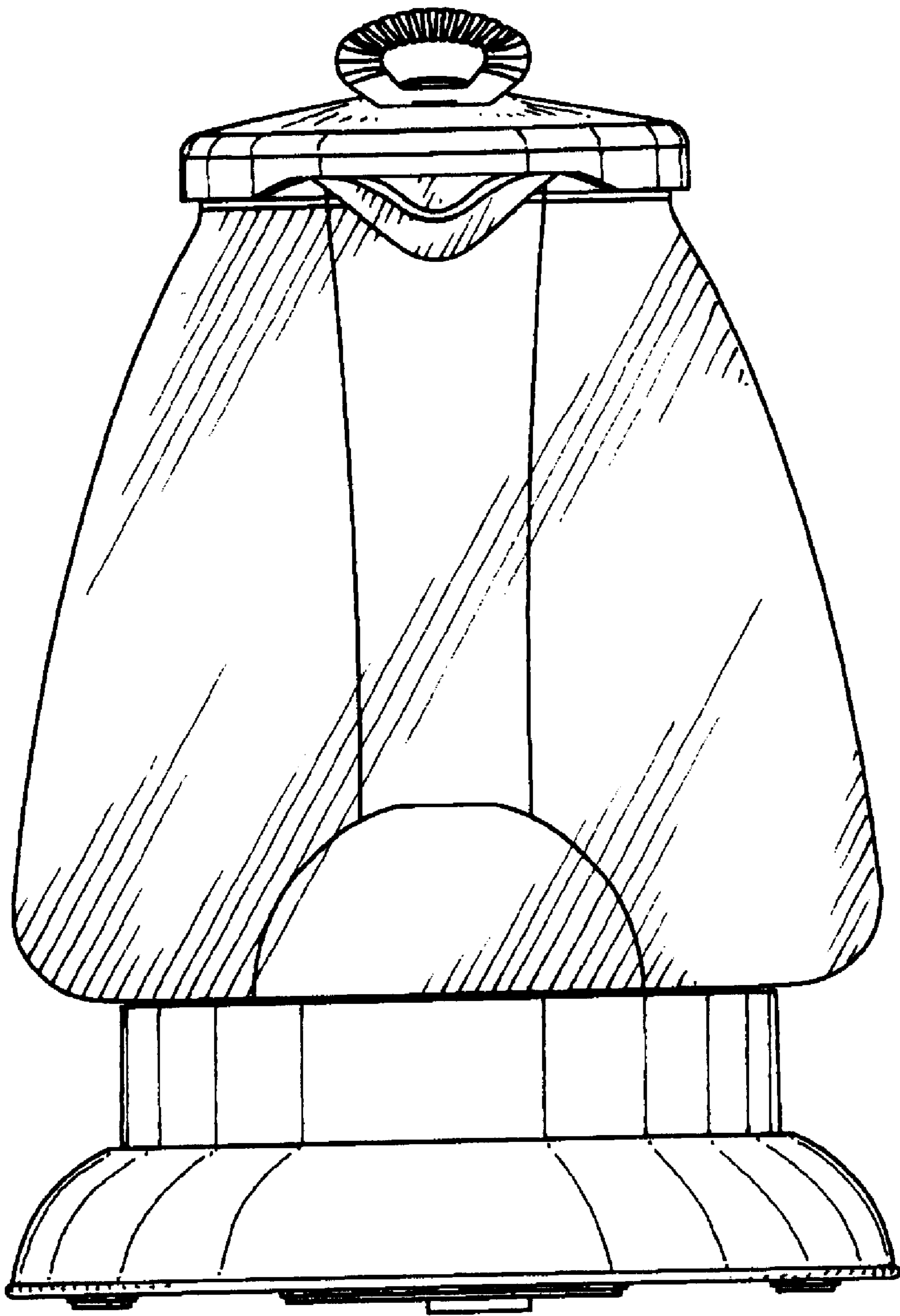


FIG. 4

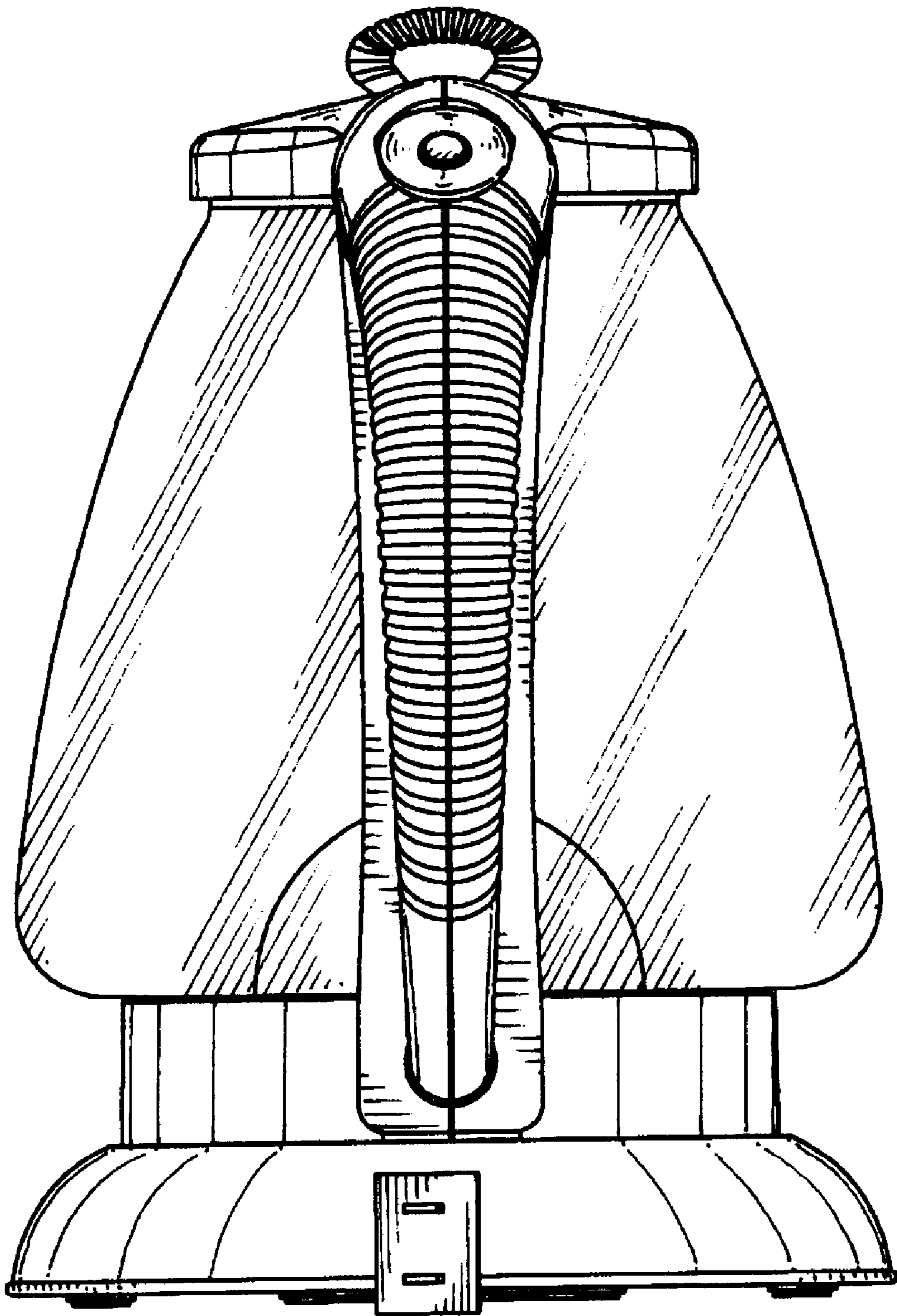


FIG. 5

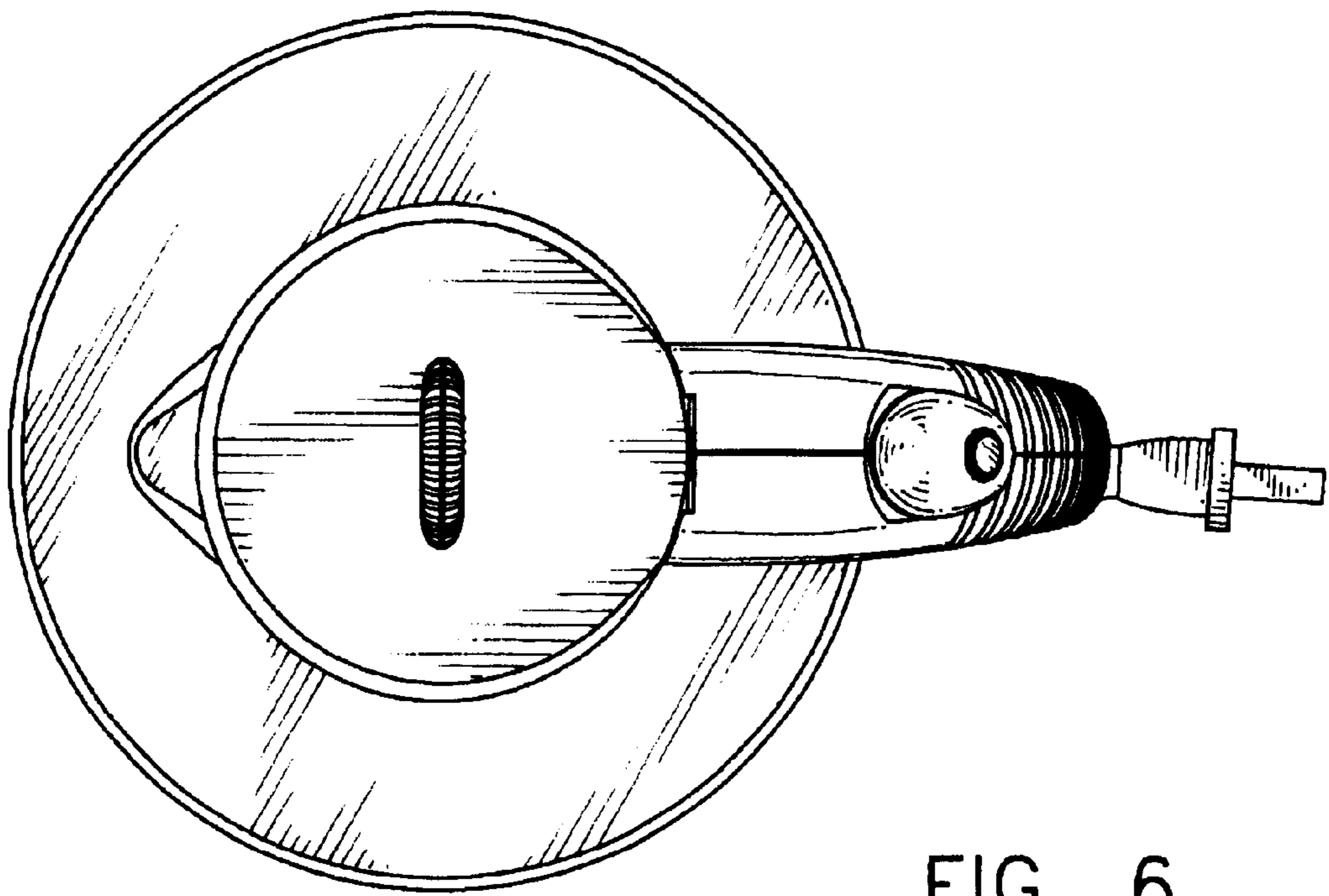


FIG. 6

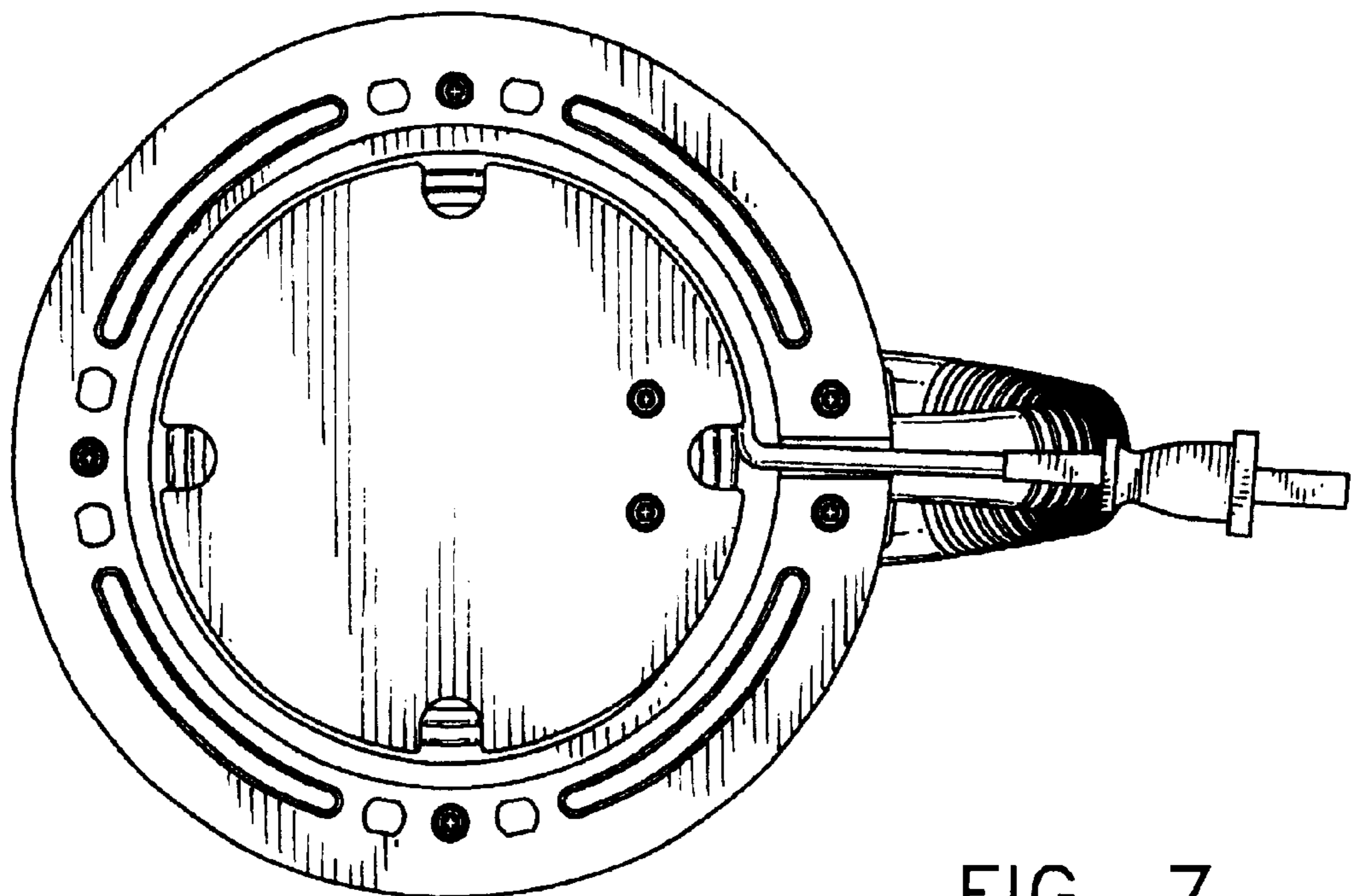


FIG. 7