



US00D479090S

(12) **United States Design Patent**
Backes et al.

(10) **Patent No.:** **US D479,090 S**

(45) **Date of Patent:** **** Sep. 2, 2003**

(54) **PITCHER**

(75) Inventors: **Cory R. Backes**, Shawnee, KS (US);
Daniel R. Diedel, Lawrence, KS (US)

(73) Assignee: **Berry Plastics Corporation**,
Evansville, IN (US)

(**) Term: **14 Years**

(21) Appl. No.: **29/165,373**

(22) Filed: **Aug. 8, 2002**

(51) **LOC (7) Cl.** **07-01**

(52) **U.S. Cl.** **D7/318; D7/316**

(58) **Field of Search** D7/312, 315, 317,
D7/318, 319, 321, 305; 215/12.1; 220/574,
755, 318, 189, 759; 222/566, 131, 478,
465.1, 475.1, 188, 157, 494; 210/282, 470,
472; 99/279, 281; D10/46.2

(56) **References Cited**

U.S. PATENT DOCUMENTS

D109,979 S * 6/1938 Guild D7/319
D165,140 S * 11/1951 Fleming D7/612
D174,071 S * 2/1955 Ziskin D7/319
D192,934 S * 5/1962 Bloch D7/318
D221,796 S * 9/1971 Gregor D7/317
D229,012 S * 11/1973 Wooters D7/317
3,817,430 A * 6/1974 Borin 222/494
3,861,565 A * 1/1975 Rickmeier, Jr. 222/131
D246,413 S * 11/1977 Wildgen D7/319
D255,531 S * 6/1980 Daenen et al. D10/46.2

4,655,373 A * 4/1987 Essen 222/465.1
D293,871 S * 1/1988 Turner et al. D7/318
D309,077 S * 7/1990 Pomroy D7/318
4,969,996 A * 11/1990 Hankammer 210/282
D338,367 S * 8/1993 Fonville D7/317
D338,591 S * 8/1993 Wyatt et al. D7/318
D379,732 S * 6/1997 Jeppesen et al. D7/319
D398,474 S * 9/1998 Wagner D7/305
D435,995 S * 1/2001 Mano D7/318
D441,247 S * 5/2001 Beam D7/305
D447,378 S * 9/2001 Young et al. D7/318

OTHER PUBLICATIONS

Housewares By Packerware literature, 2001, two pages.
Fun Frosts By Packerware literature, 2000, two pages.

* cited by examiner

Primary Examiner—M. N. Pandozzi

(74) *Attorney, Agent, or Firm*—Barnes & Thornburg

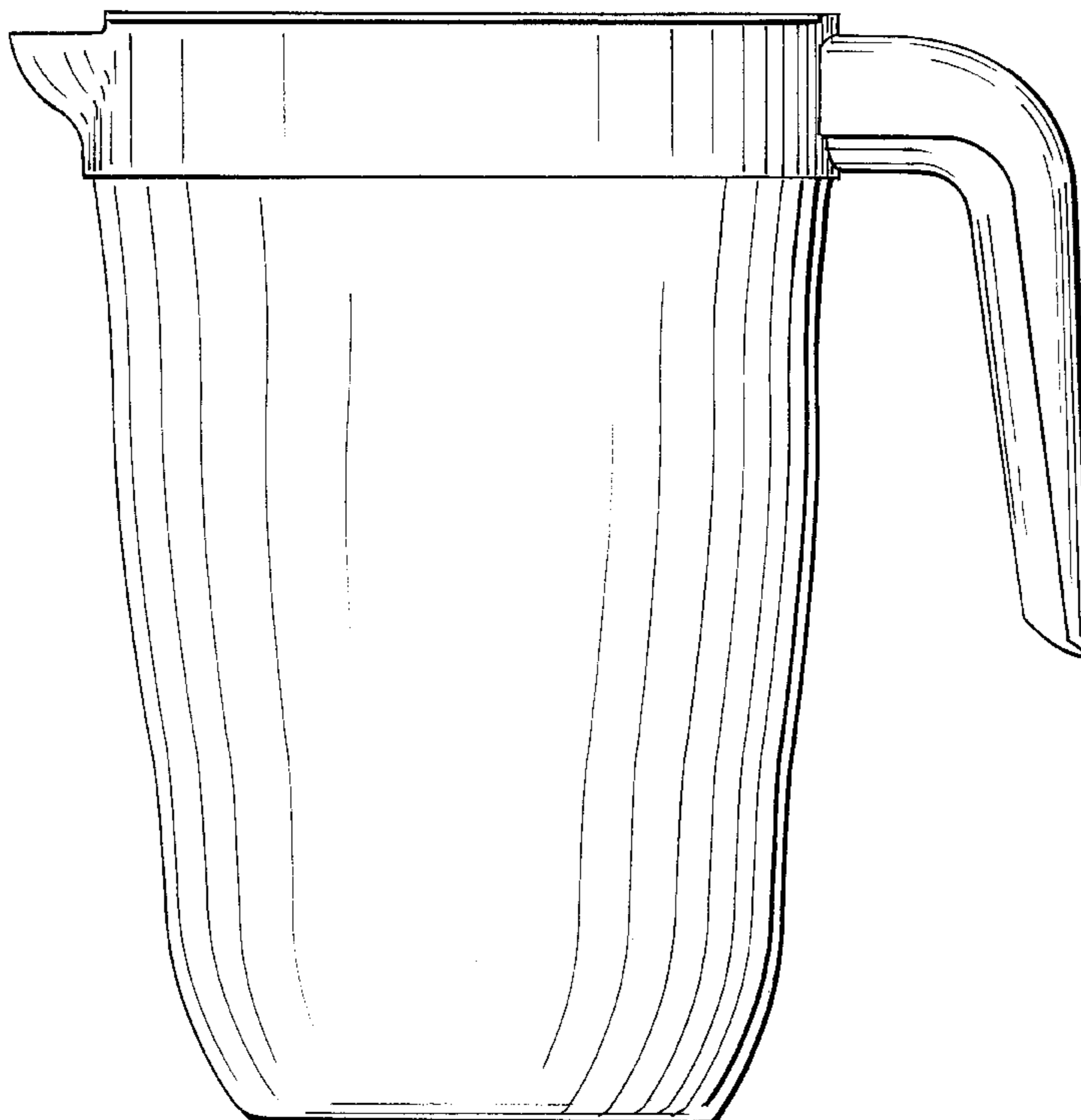
(57) **CLAIM**

The ornamental design for a pitcher, as shown and described.

DESCRIPTION

FIG. 1 is a front elevational view of a pitcher showing our new design, the opposite side being a mirror image thereof; FIG. 2 is a top plan view thereof; FIG. 3 is a bottom view thereof; FIG. 4 is a left-side elevational view thereof; and, FIG. 5 is a right-side elevational view thereof.

1 Claim, 4 Drawing Sheets



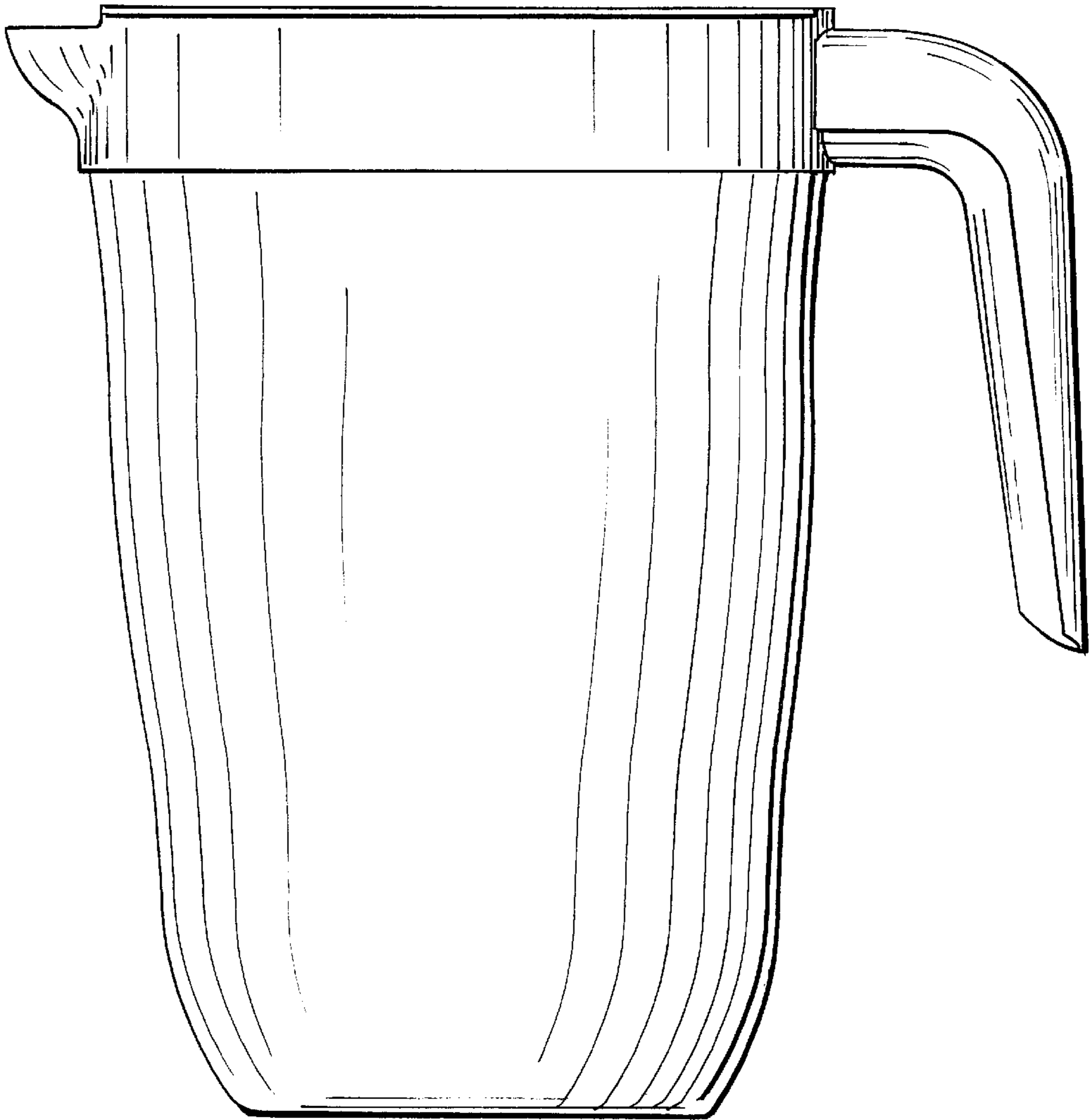


FIG 1

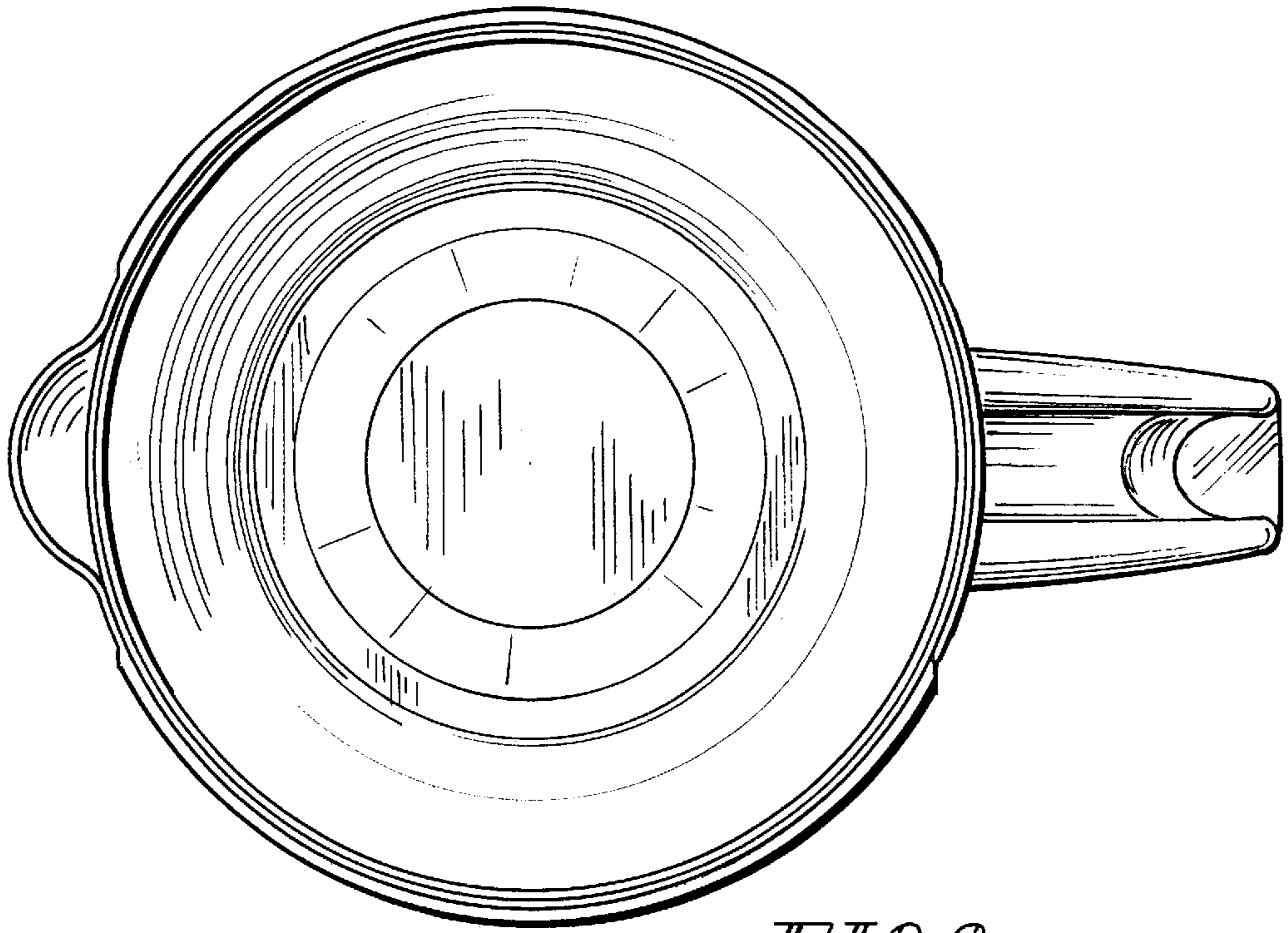


FIG 2

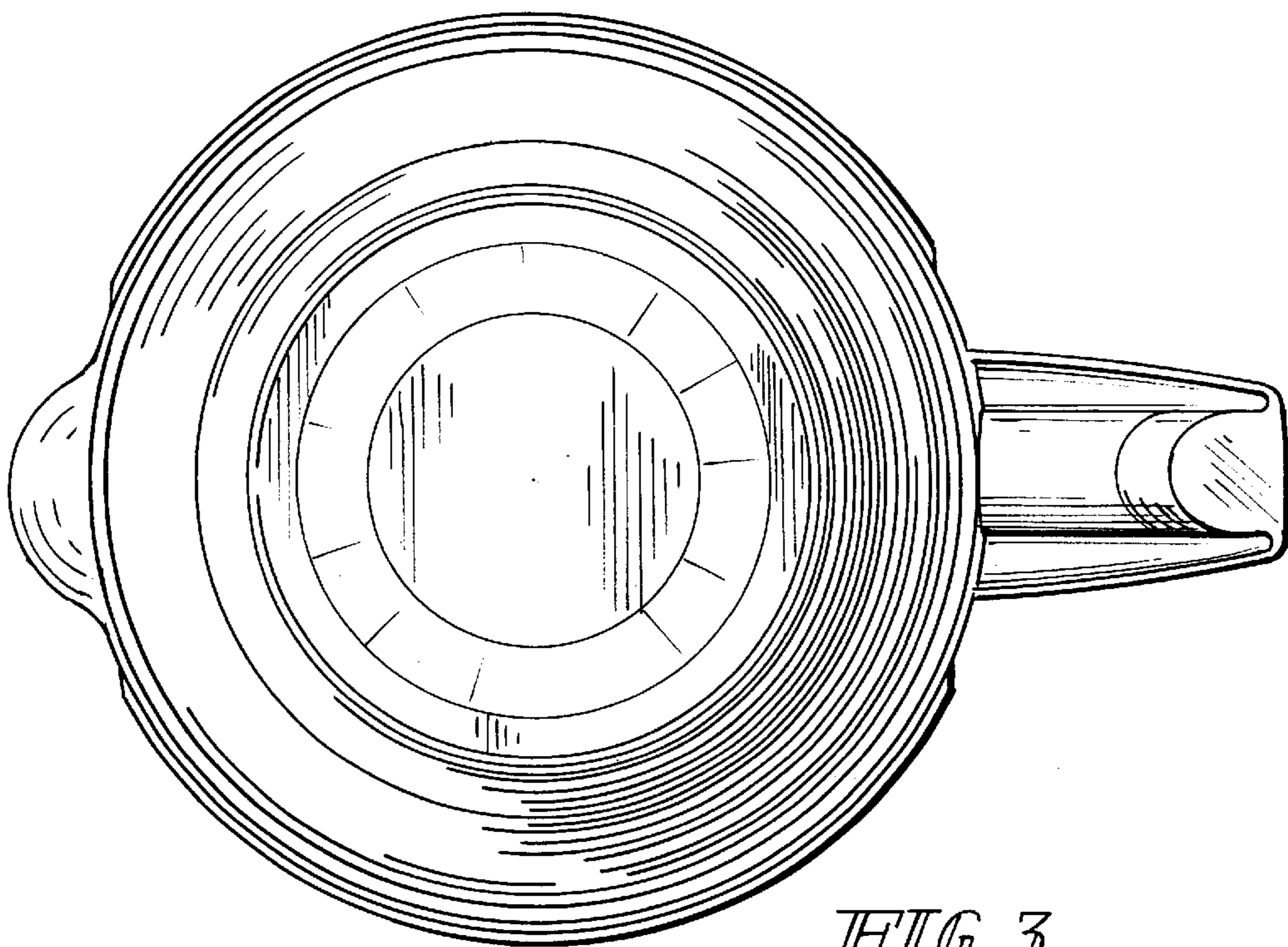


FIG 3

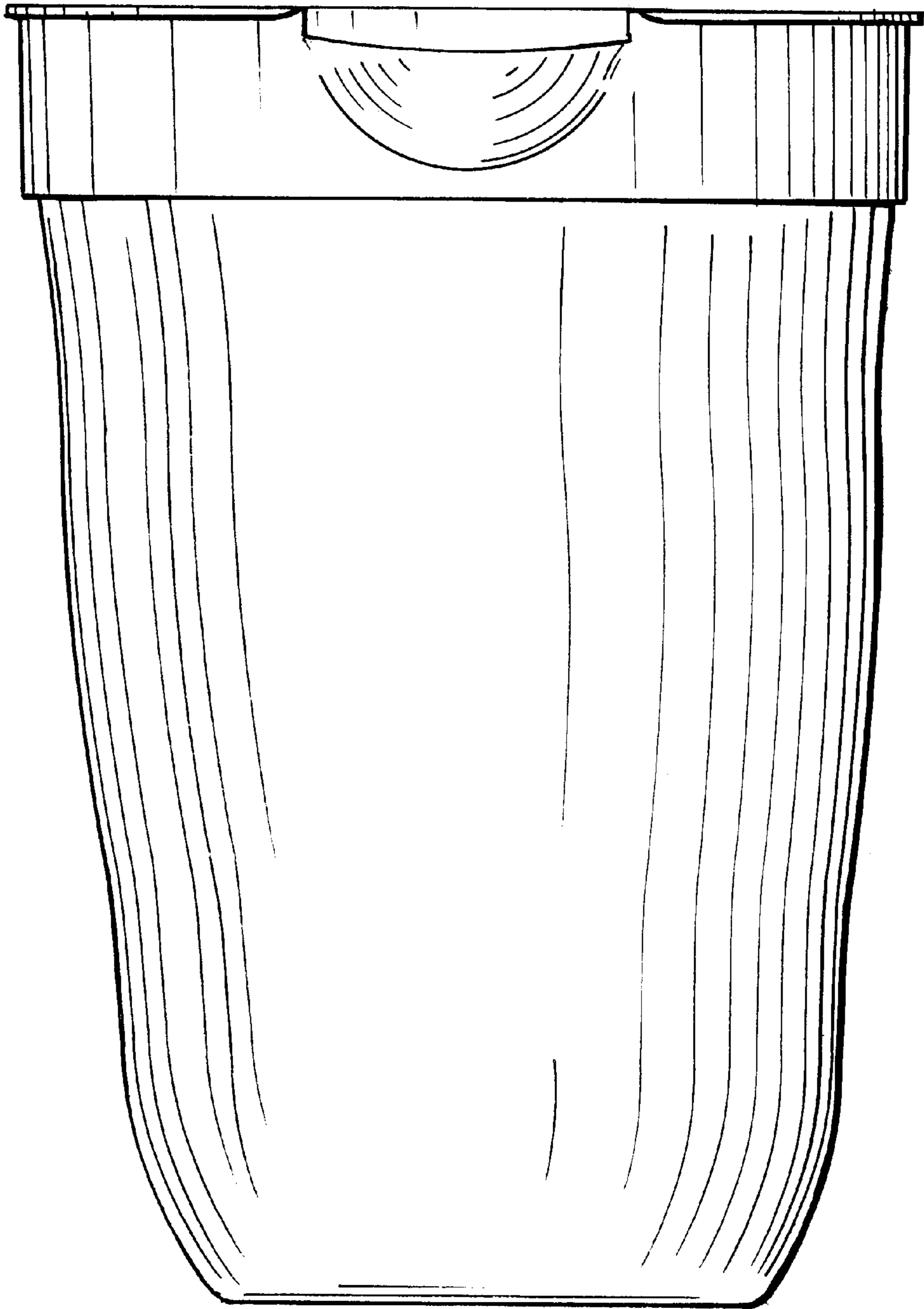


FIG. 4

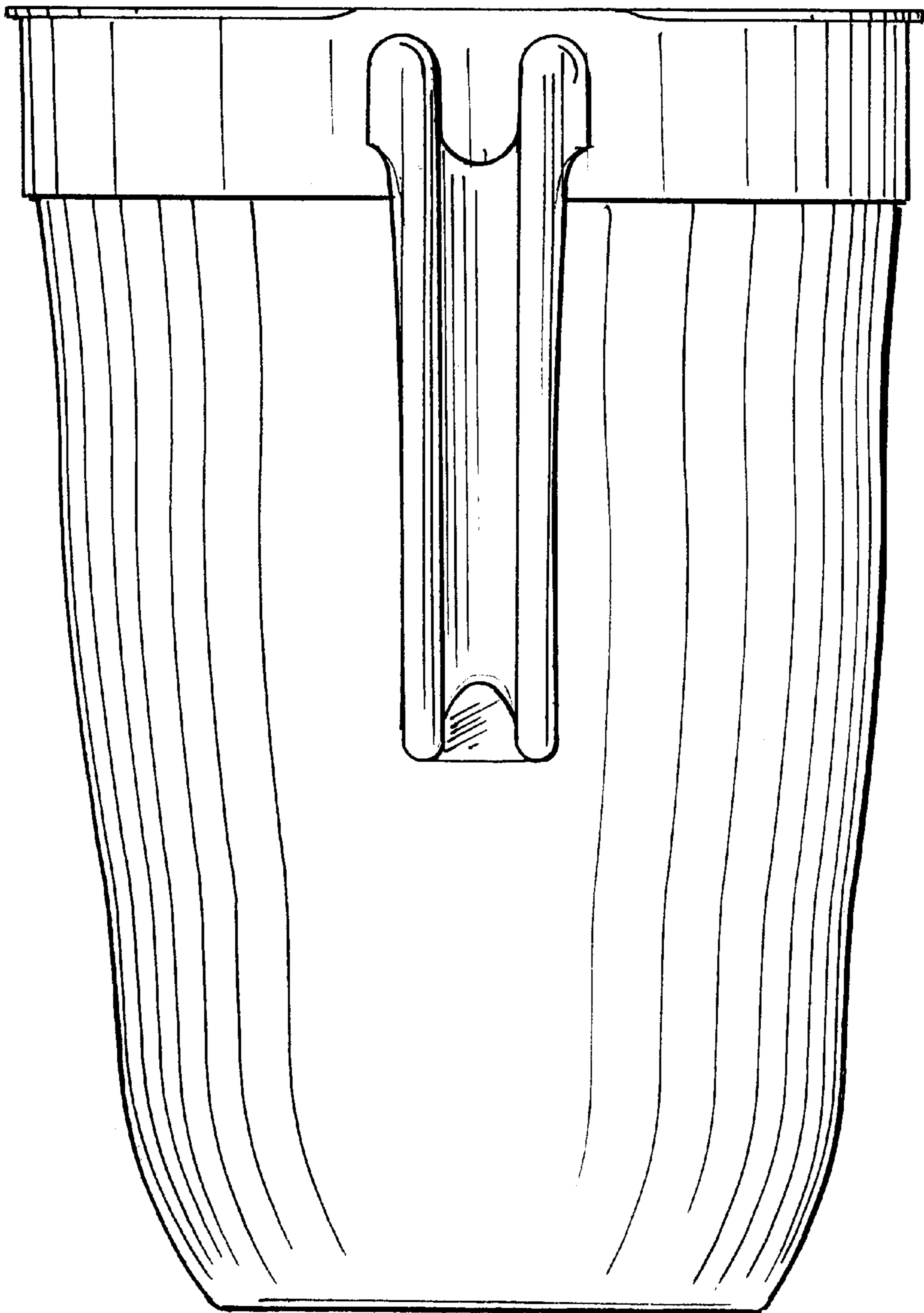


FIG. 5