



US00D479086S

(12) **United States Design Patent**
Rivard et al.

(10) **Patent No.:** **US D479,086 S**

(45) **Date of Patent:** **** Sep. 2, 2003**

(54) **BEVERAGE MACHINE HOUSING**

(75) Inventors: **Martin Rivard**, Montreal (CA); **Mario Tougas**, Sainte-Julie (CA); **Angelo Mottillo**, Montreal (CA); **Stephen Grant**, Montreal (CA); **Serge Nadeau**, Montreal (CA); **François Gaucher**, Montreal (CA); **Jean-François Lebeuf**, Montreal (CA)

(73) Assignee: **VKI Technologies Inc.**, St-Hubert (CA)

(**) Term: **14 Years**

(21) Appl. No.: **29/170,662**

(22) Filed: **Nov. 12, 2002**

(51) **LOC (7) Cl.** **07-01**

(52) **U.S. Cl.** **D7/306; D7/309**

(58) **Field of Search** D7/309, 310, 311, D7/306, 307, 308, 300, 305; 99/293, 295, 292; 222/131, 129.1, 129.4, 129.2, 129.3

(56) **References Cited**

U.S. PATENT DOCUMENTS

4,644,856	A	*	2/1987	Borgmann	99/295
4,800,805	A	*	1/1989	Mahlich et al.	99/293
4,852,474	A	*	8/1989	Mahlich et al.	99/293
D310,002	S	*	8/1990	Rossio et al.	D7/308
D313,724	S	*	1/1991	Pinon	D7/308
D316,794	S	*	5/1991	Volgger et al.	D7/308
D323,949	S	*	2/1992	Kahlcke	D7/309
D324,621	S	*	3/1992	Haslacher	D7/309
D336,206	S	*	6/1993	Littmann	D7/309
D337,475	S	*	7/1993	Seiffert	D7/309
D354,193	S	*	1/1995	Storsberg	D7/309
D360,555	S	*	7/1995	Miguel	D7/309
D360,802	S	*	8/1995	Seiffert	D7/309
D364,306	S	*	11/1995	Storsberg	D7/309
D365,490	S	*	12/1995	Pomeroy	D7/309
D380,334	S	*	7/1997	Lin	D7/309

D385,455	S	*	10/1997	Cortese	D7/309
D390,060	S	*	2/1998	Seiffert	D7/309
D395,975	S	*	7/1998	Munoz	D7/308
D396,987	S	*	8/1998	Seiffert	D7/309
D414,371	S	*	9/1999	Seiffert	D7/309
D417,580	S	*	12/1999	Fusi	D7/309
D431,748	S	*	10/2000	Cahen	D7/309
D431,749	S	*	10/2000	Cahen	D7/309
D431,750	S	*	10/2000	Cahen	D7/309
D431,751	S	*	10/2000	Cahen	D7/309
D439,788	S	*	4/2001	Bettini	D7/309
D441,593	S	*	5/2001	Gudfin	D7/309
D449,198	S	*	10/2001	Cahen	D7/309
D449,199	S	*	10/2001	Cahen	D7/309
D449,488	S	*	10/2001	Cahen	D7/309
D452,106	S	*	12/2001	Seiffert	D7/305
D461,358	S	*	8/2002	Cahen	D7/309

* cited by examiner

Primary Examiner—M. N. Pandozzi

(74) *Attorney, Agent, or Firm*—Ronald S. Kosie; Robert Brouillette; Gaétan Prince

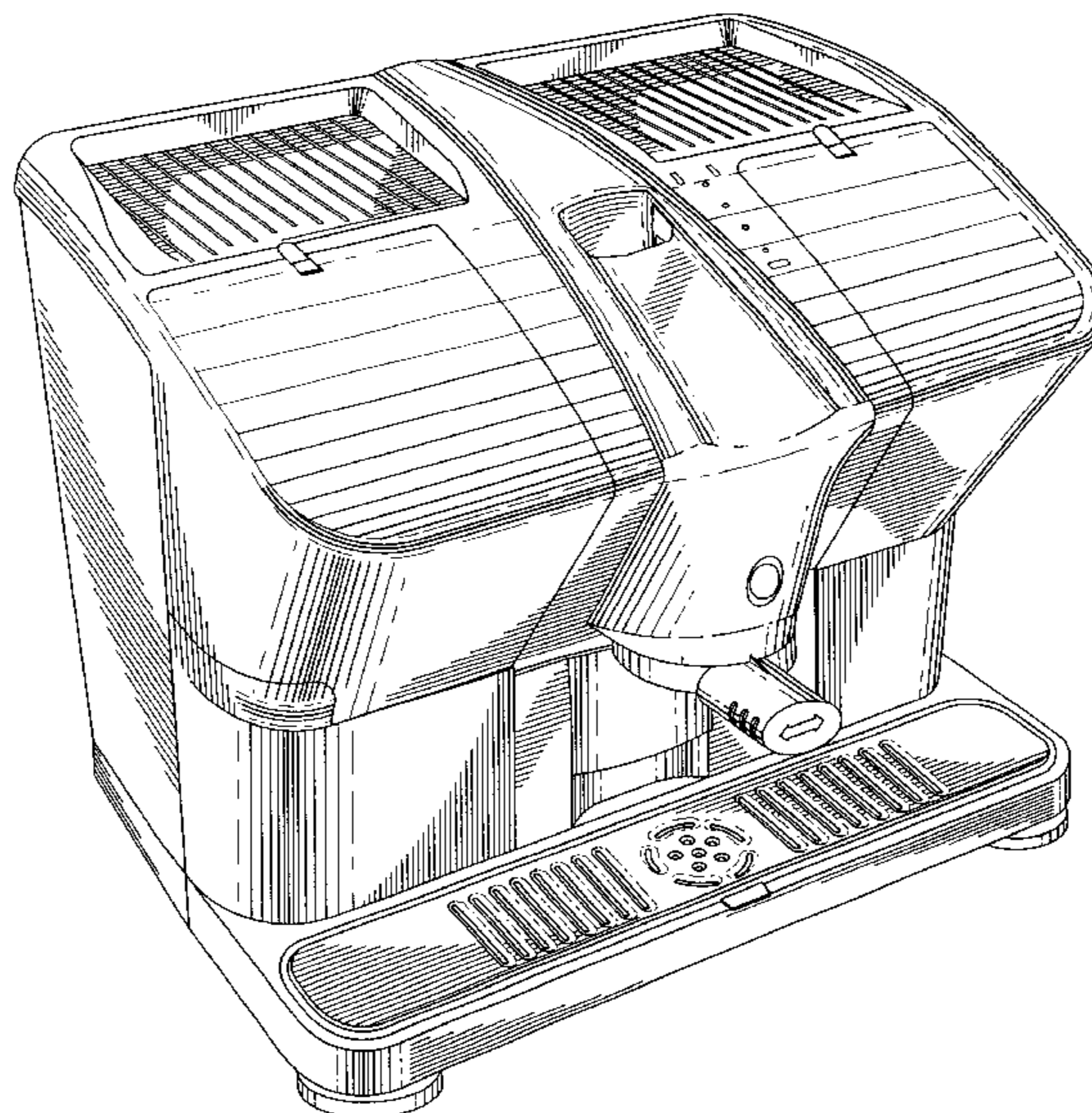
(57) **CLAIM**

The ornamental design for a beverage machine housing, as shown.

DESCRIPTION

FIG. 1 is a front perspective view of the beverage machine housing;
FIG. 2 is a front elevation view of the beverage machine housing;
FIG. 3 is a top plan view of the beverage machine housing;
FIG. 4 is a right side elevation view of the beverage machine housing;
FIG. 5 is a left side elevation view of the beverage machine housing; and,
FIG. 6 is a back elevation view of the beverage machine housing.

1 Claim, 6 Drawing Sheets



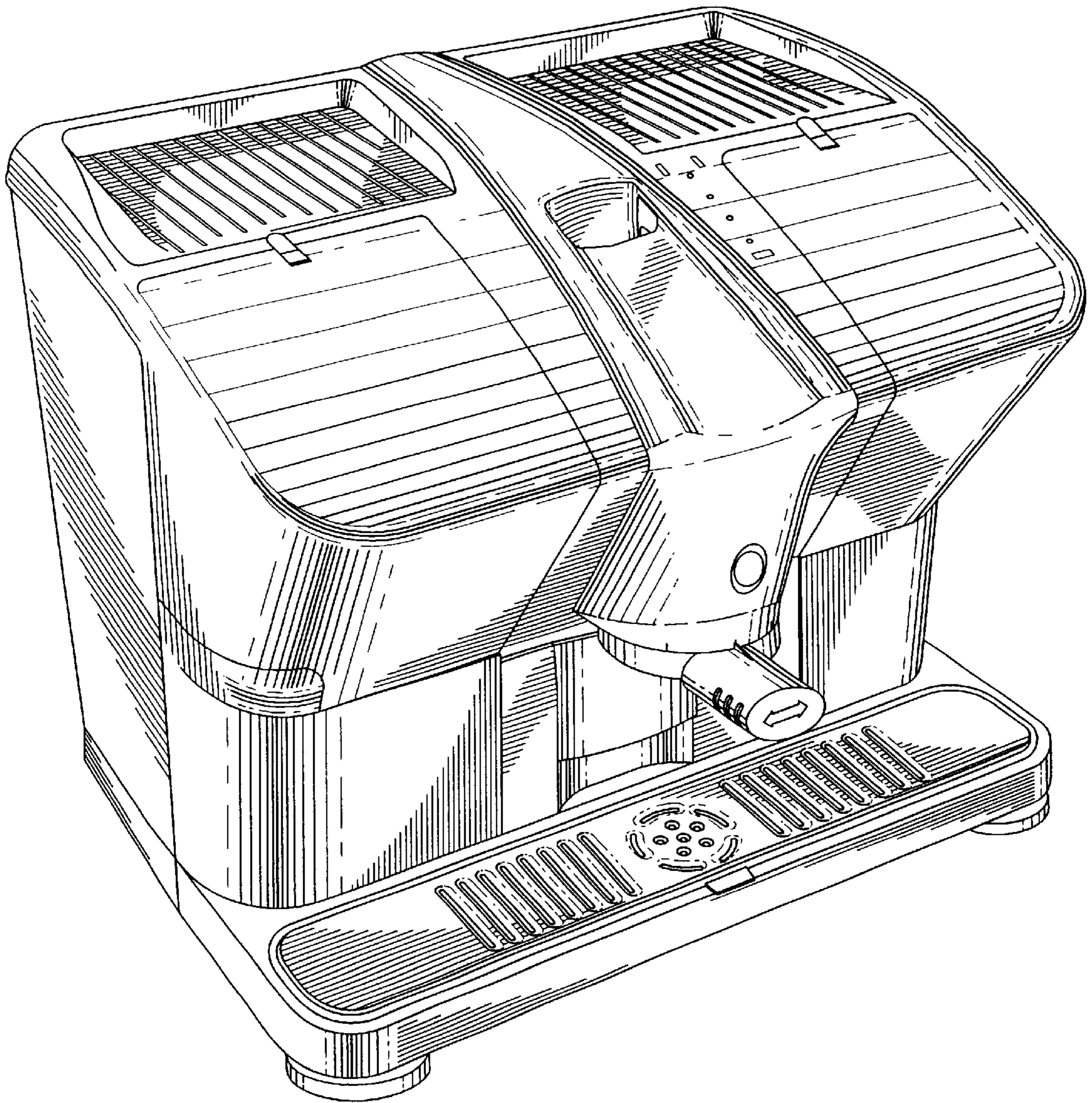


FIG. 1

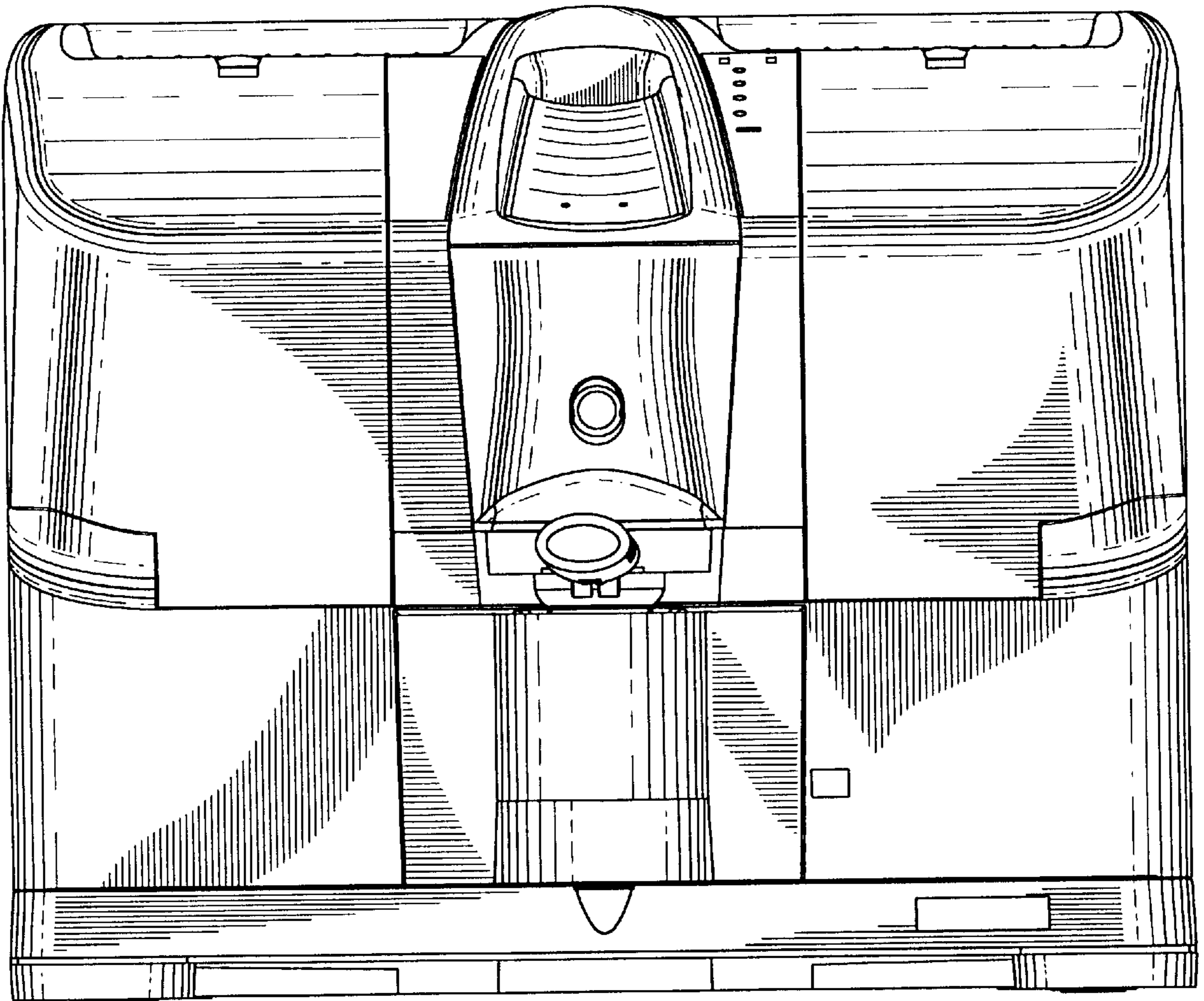


FIG. 2

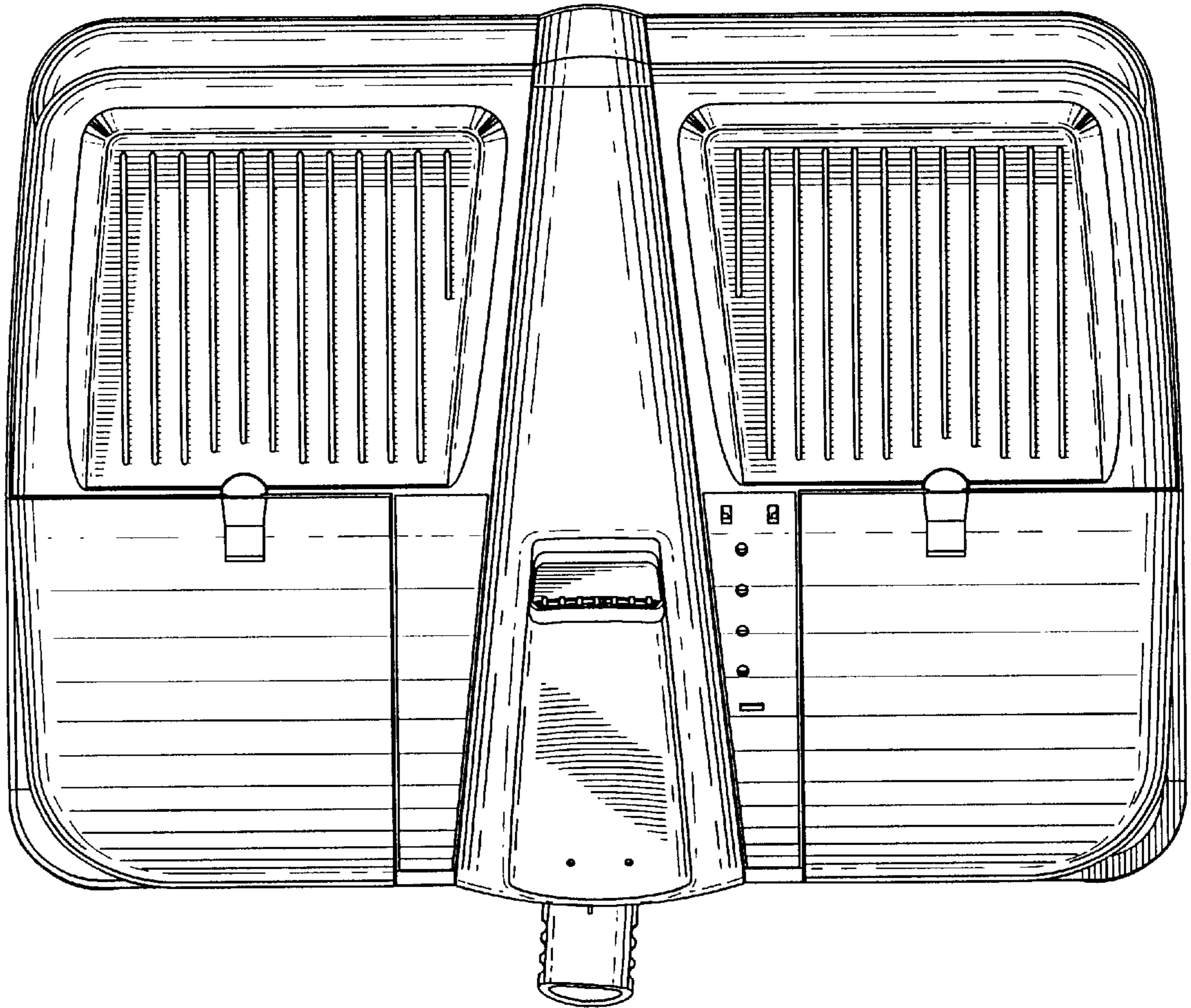


FIG. 3

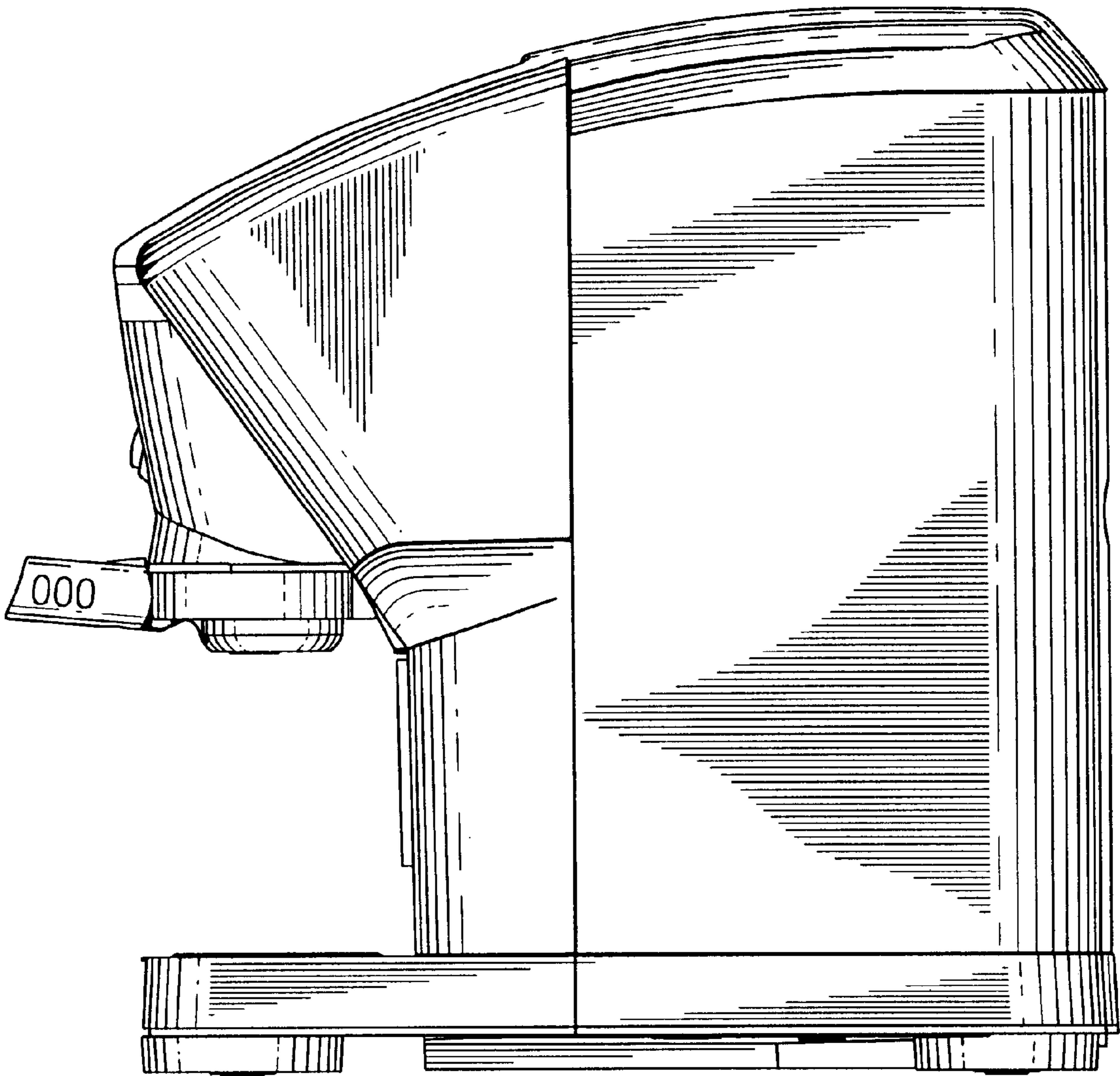


FIG. 4

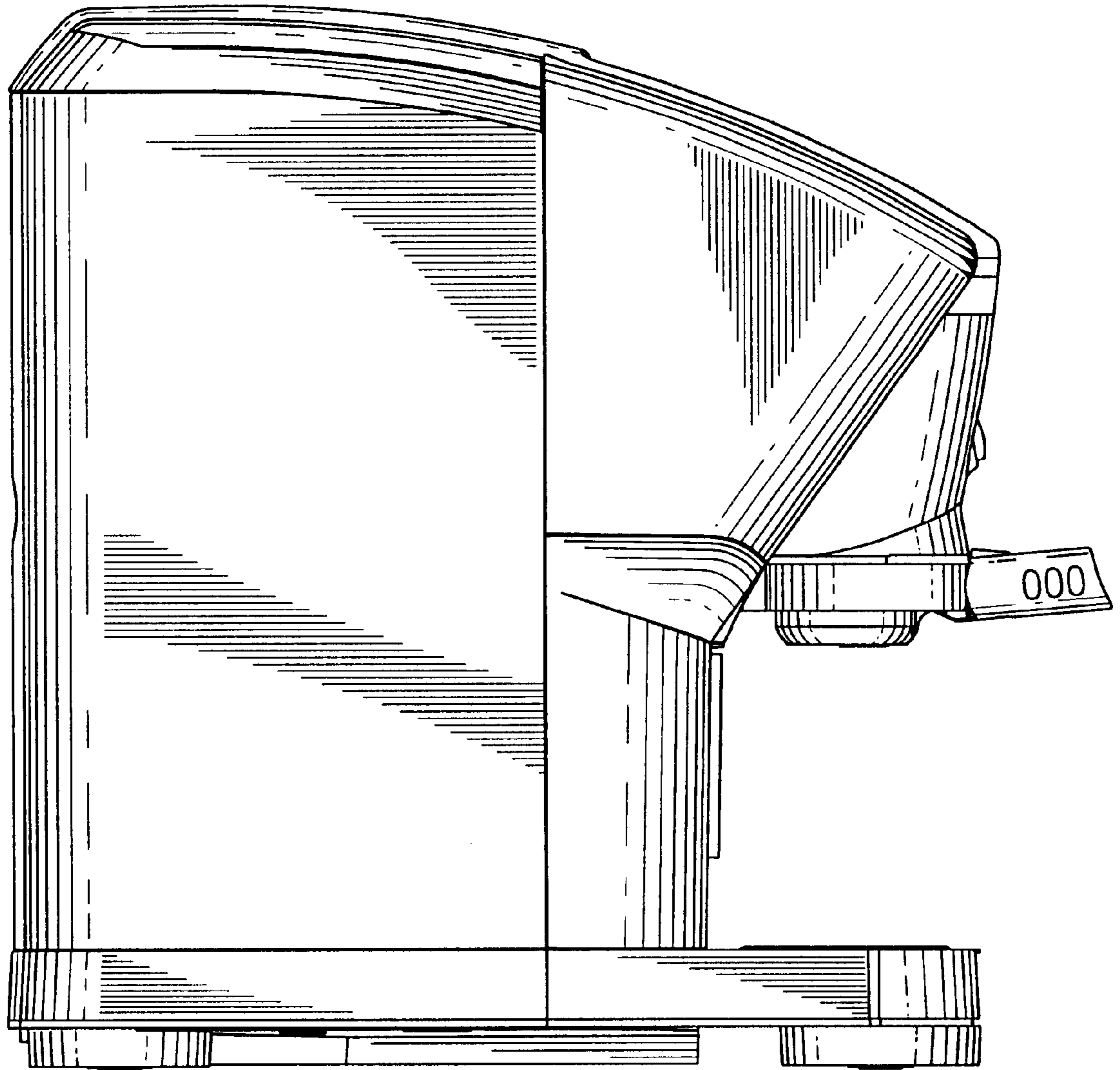


FIG. 5

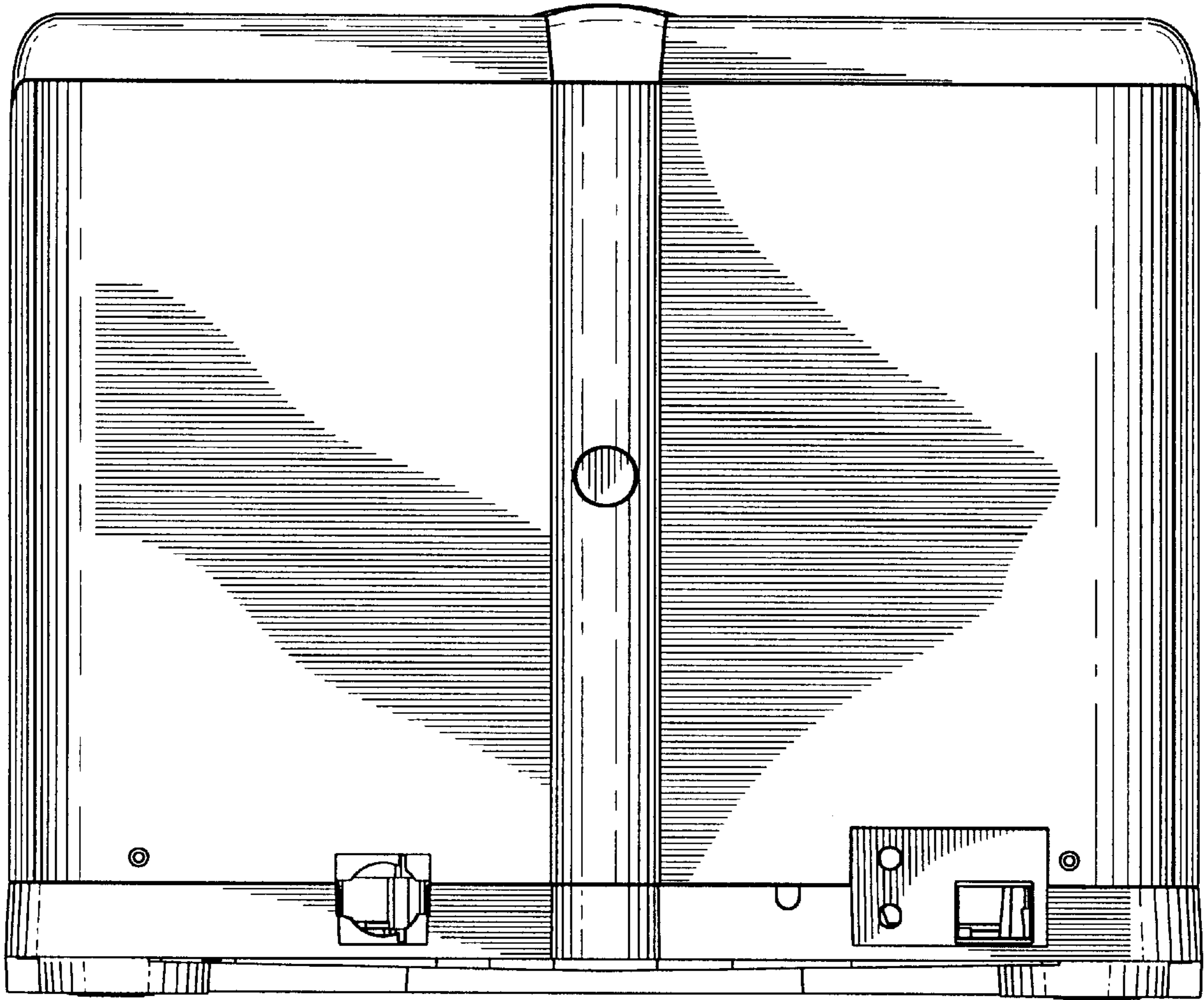


FIG. 6