



US00D479079S

(12) **United States Design Patent**
Knapp

(10) **Patent No.:** **US D479,079 S**

(45) **Date of Patent:** **** Sep. 2, 2003**

- (54) **BLADE FOR A LOUVER OR SHUTTER**
- (76) Inventor: **Michael E. Knapp**, 4301 N. James H. McGee Blvd., Dayton, OH (US) 45427
- (**) Term: **14 Years**
- (21) Appl. No.: **29/162,534**
- (22) Filed: **Jun. 19, 2002**
- (51) **LOC (7) Cl.** **06-10**
- (52) **U.S. Cl.** **D6/580**
- (58) **Field of Search** D6/575, 577, 580; 160/166.1, 167 R, 168.1, 174 R; D25/138, 139

- D366,587 S * 1/1996 Underdahl D6/580
- 6,367,937 B2 * 4/2002 Koster 359/601
- D464,518 S * 10/2002 Griffiths et al. D6/580

* cited by examiner

Primary Examiner—Robin V. Taylor
(74) *Attorney, Agent, or Firm*—Jacox, Meckstroth & Jenkins

(57) **CLAIM**

The ornamental design of a blade for a louver or shutter, as shown and described.

DESCRIPTION

FIG. 1 is a perspective view of a blade for a louver or shutter showing my new design with a middle portion broken away to disclose indefinite length; and, FIG. 2 is an end view thereof, the opposite end view being a mirror image.

- (56) **References Cited**
- U.S. PATENT DOCUMENTS
- 4,610,902 A * 9/1986 Eastman et al. 428/57
- D352,857 S * 11/1994 Underdahl D6/580
- D366,586 S * 1/1996 Underdahl D6/580

1 Claim, 1 Drawing Sheet

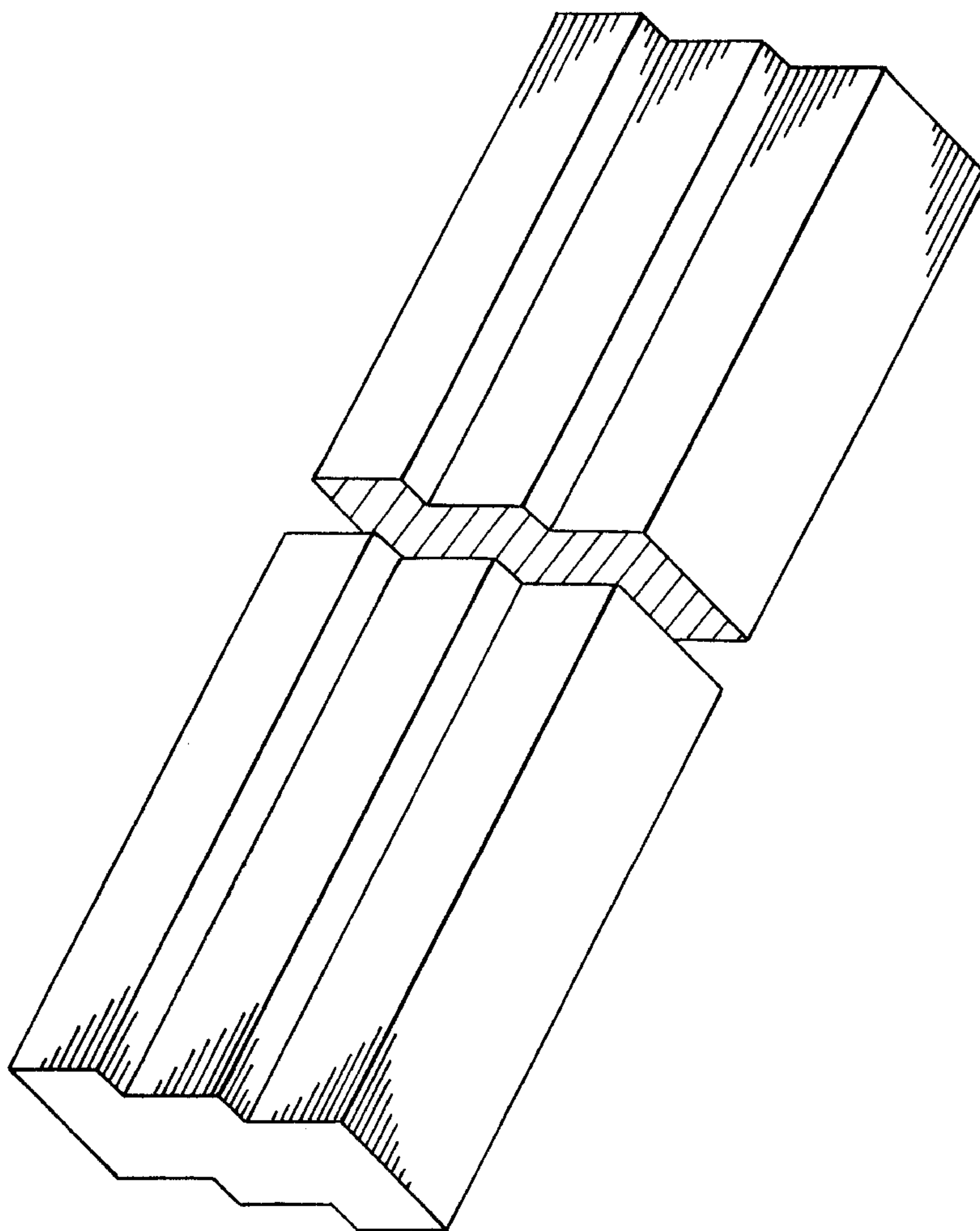


FIG-1

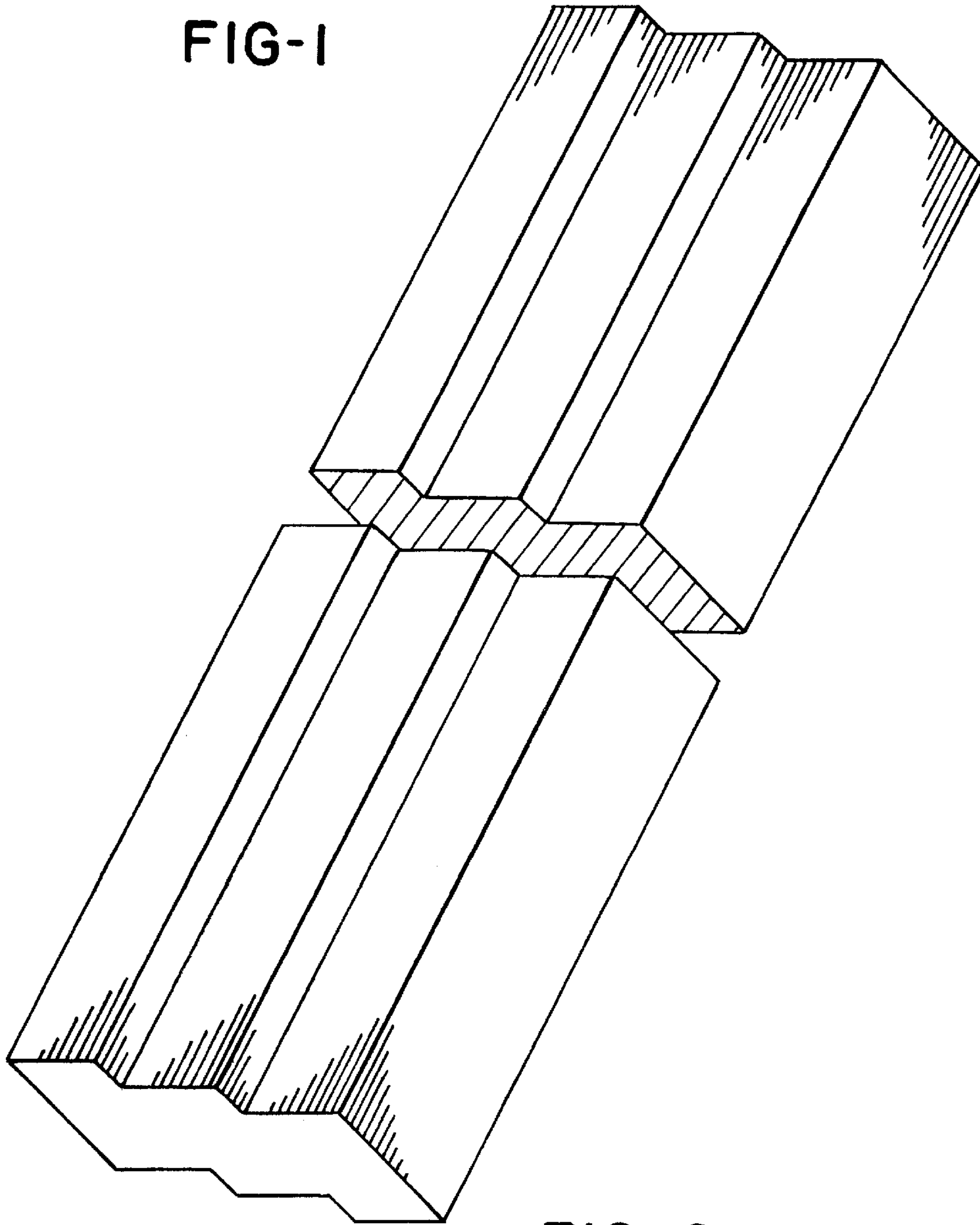


FIG-2

