



US00D479076S

(12) **United States Design Patent**  
**Ouyoung**

(10) **Patent No.:** **US D479,076 S**

(45) **Date of Patent:** **\*\* Sep. 2, 2003**

(54) **SOAP DISPENSER**

(75) Inventor: **Scott Ouyoung**, Taichung Export Processing Zone (TW)

(73) Assignee: **Globe Union Industrial Corp.**, Taichung (TW)

(\*\*) Term: **14 Years**

(21) Appl. No.: **29/167,695**

(22) Filed: **Sep. 20, 2002**

(51) **LOC (7) Cl.** ..... **23-02**

(52) **U.S. Cl.** ..... **D6/542**

(58) **Field of Search** ..... D6/542-545; 222/92, 222/105, 173; 221/282-283; D23/238

(56) **References Cited**

**U.S. PATENT DOCUMENTS**

D349,649 S \* 8/1994 Hanna ..... D6/542 X  
D396,590 S \* 8/1998 Warshawsky ..... D6/542  
D426,093 S \* 6/2000 Cayouette ..... D6/542

D451,735 S \* 12/2001 Hanna ..... D6/542

D466,191 S \* 11/2002 Lord ..... D6/542 X

D466,588 S \* 12/2002 Lord ..... D6/542 X

\* cited by examiner

*Primary Examiner*—Brian N. Vinson

(74) *Attorney, Agent, or Firm*—Leong C. Lei

(57) **CLAIM**

The ornamental design for a soap dispenser, as shown and described.

**DESCRIPTION**

FIG. 1 is perspective view of a soap dispenser showing my new design;

FIG. 2 is a front side elevation view thereof;

FIG. 3 is a rear side elevation view thereof;

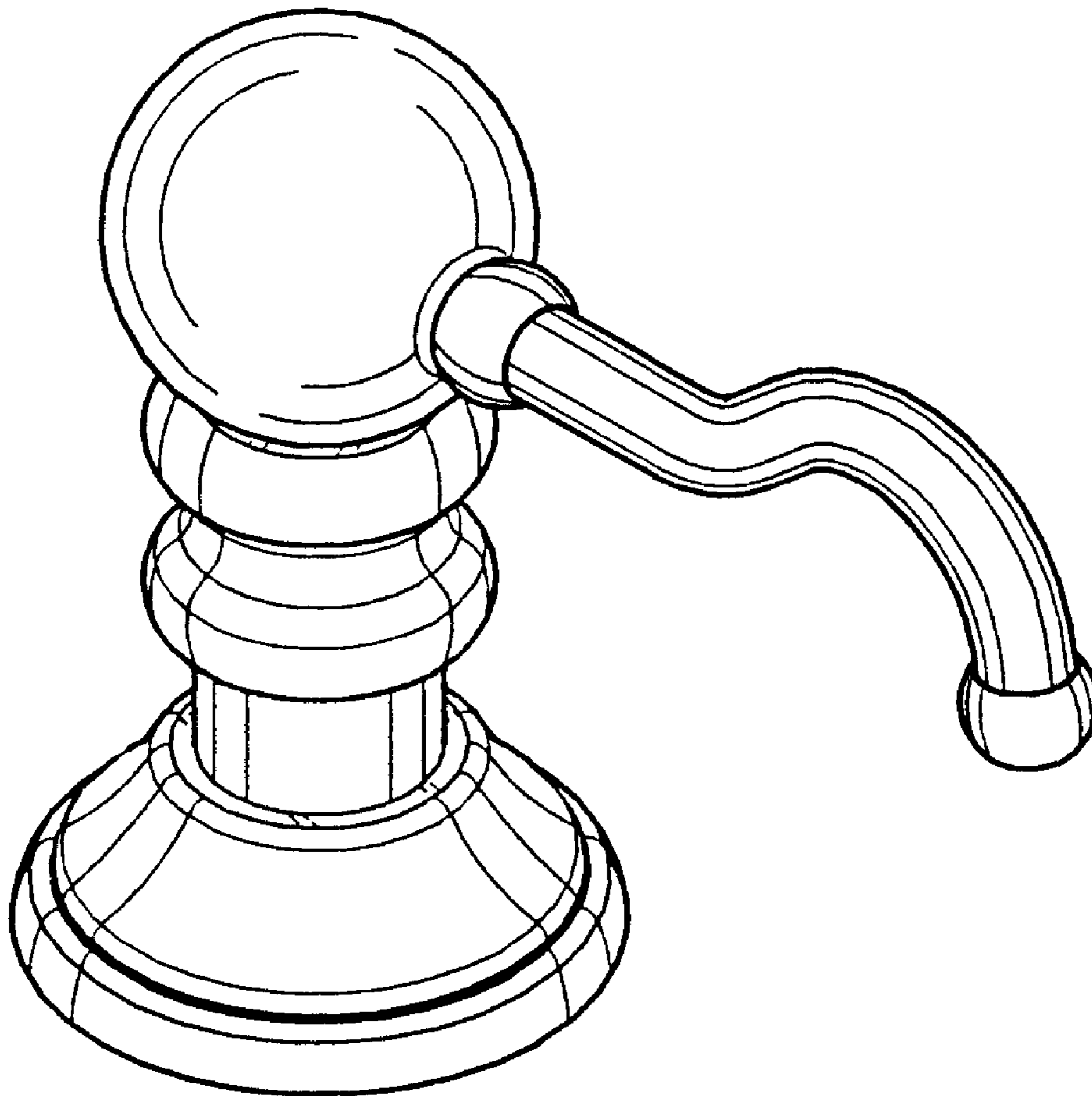
FIG. 4 is a left side elevation view thereof;

FIG. 5 is a right side elevation view thereof;

FIG. 6 is a top plan view thereof; and,

FIG. 7 is a bottom plan view thereof.

**1 Claim, 4 Drawing Sheets**



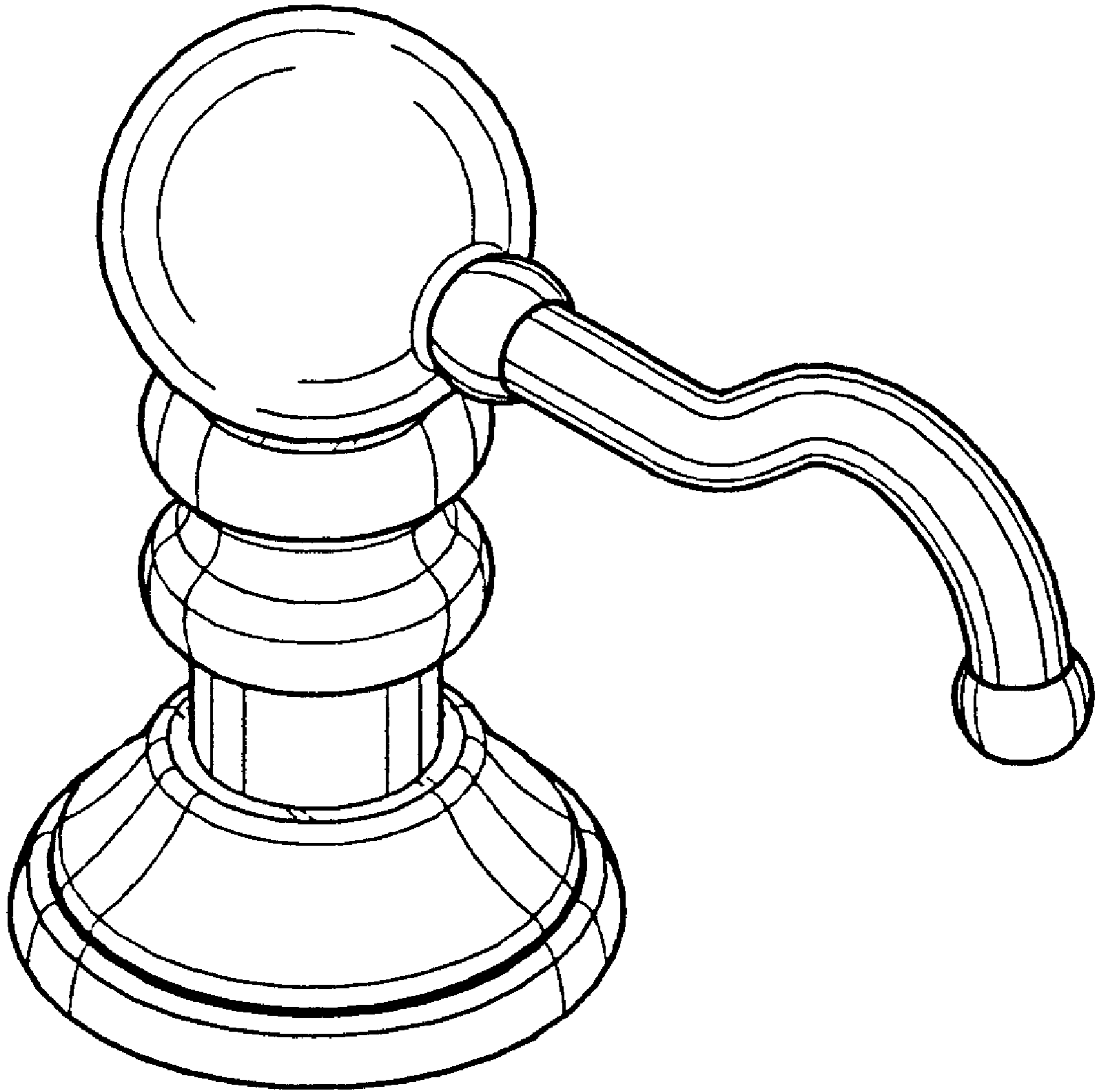


FIG. 1

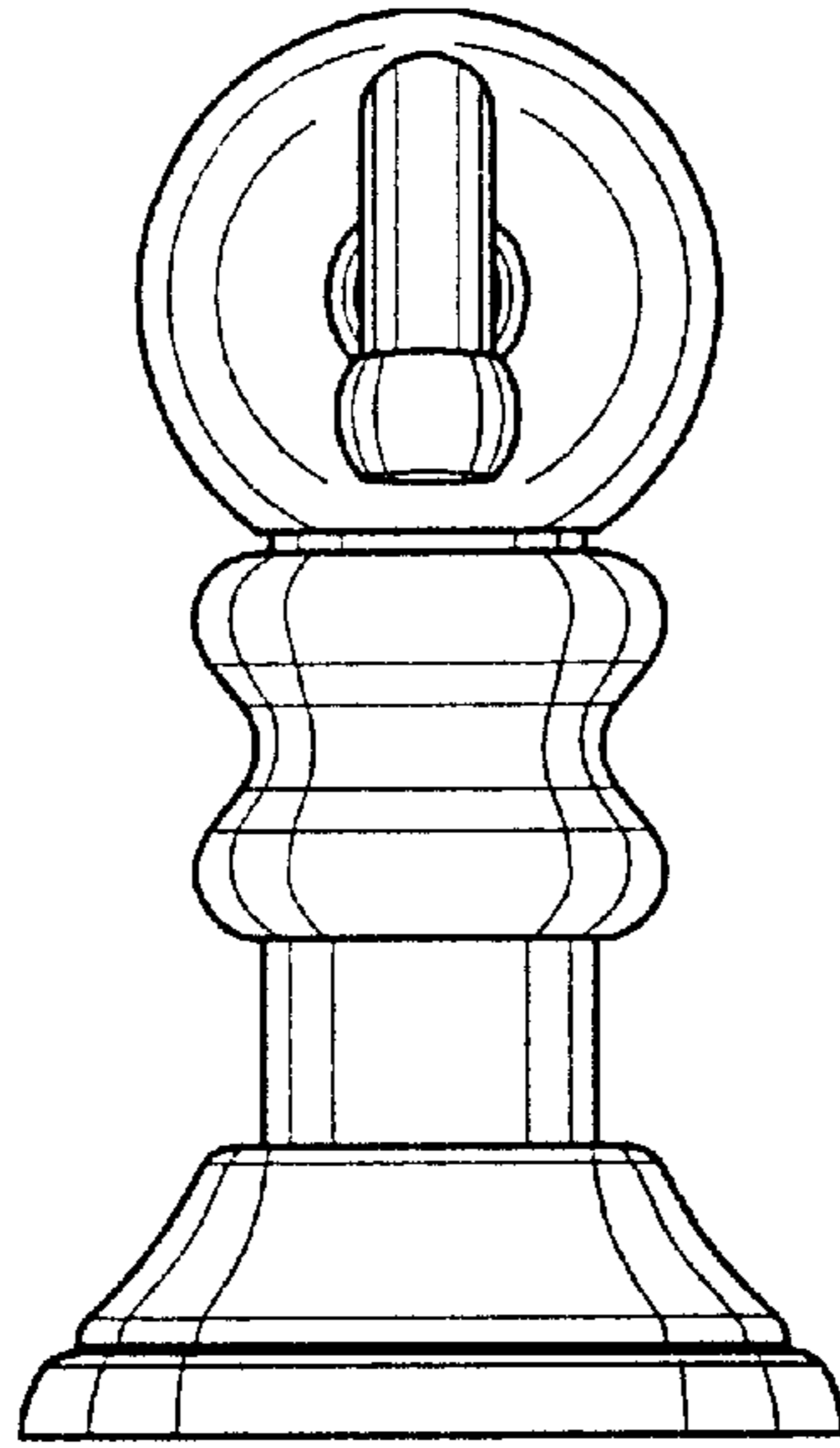


FIG. 2

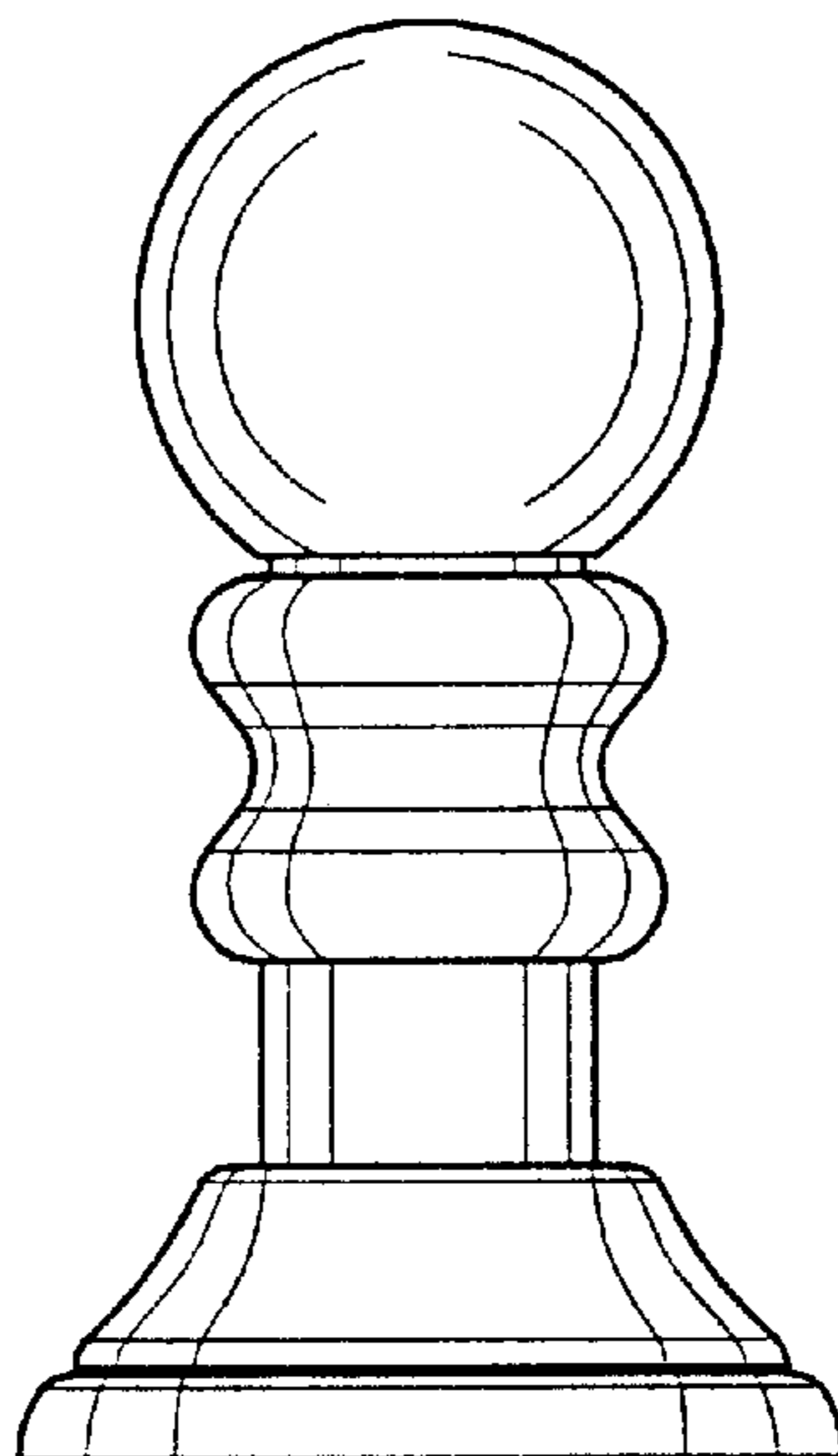


FIG. 3

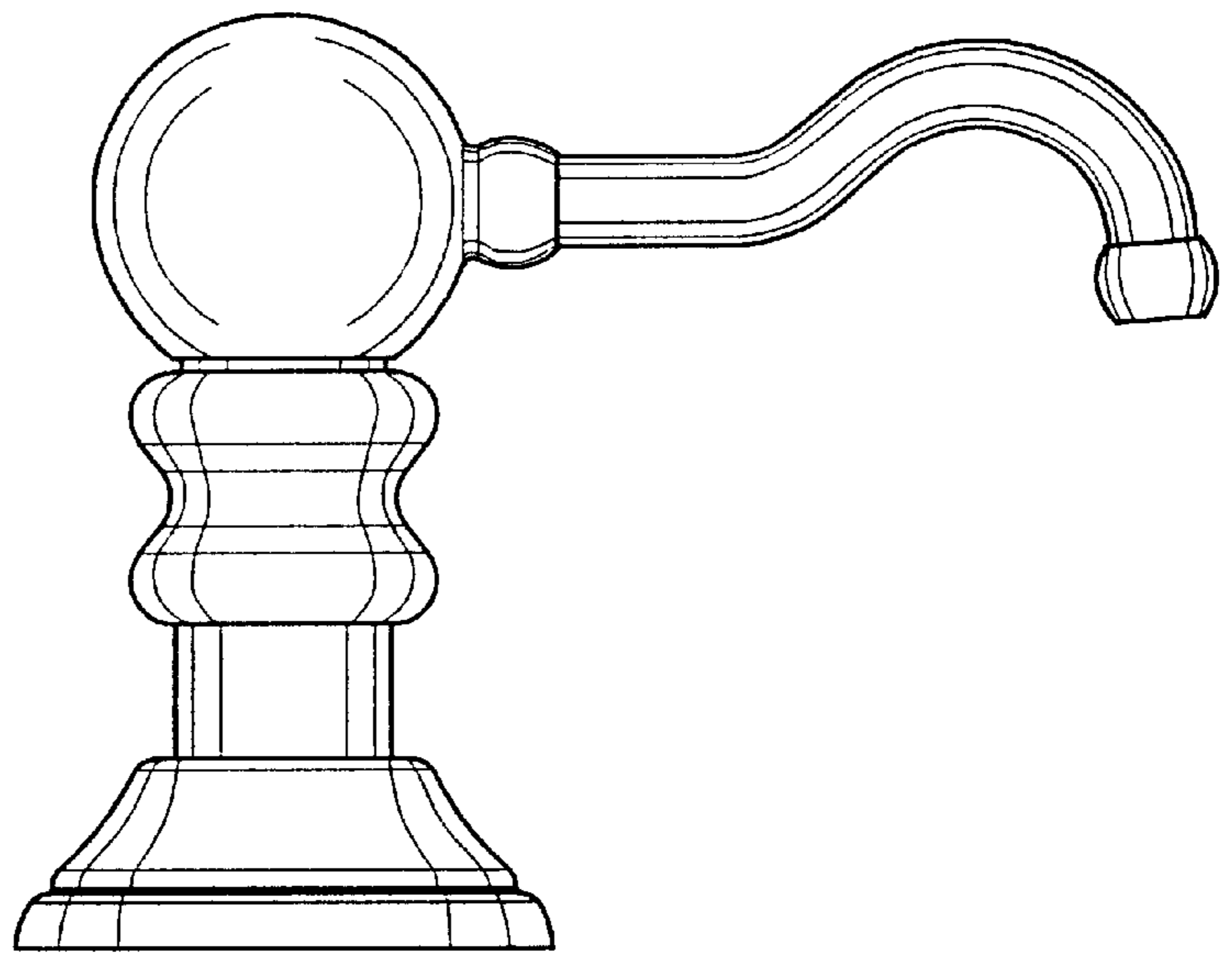


FIG. 4

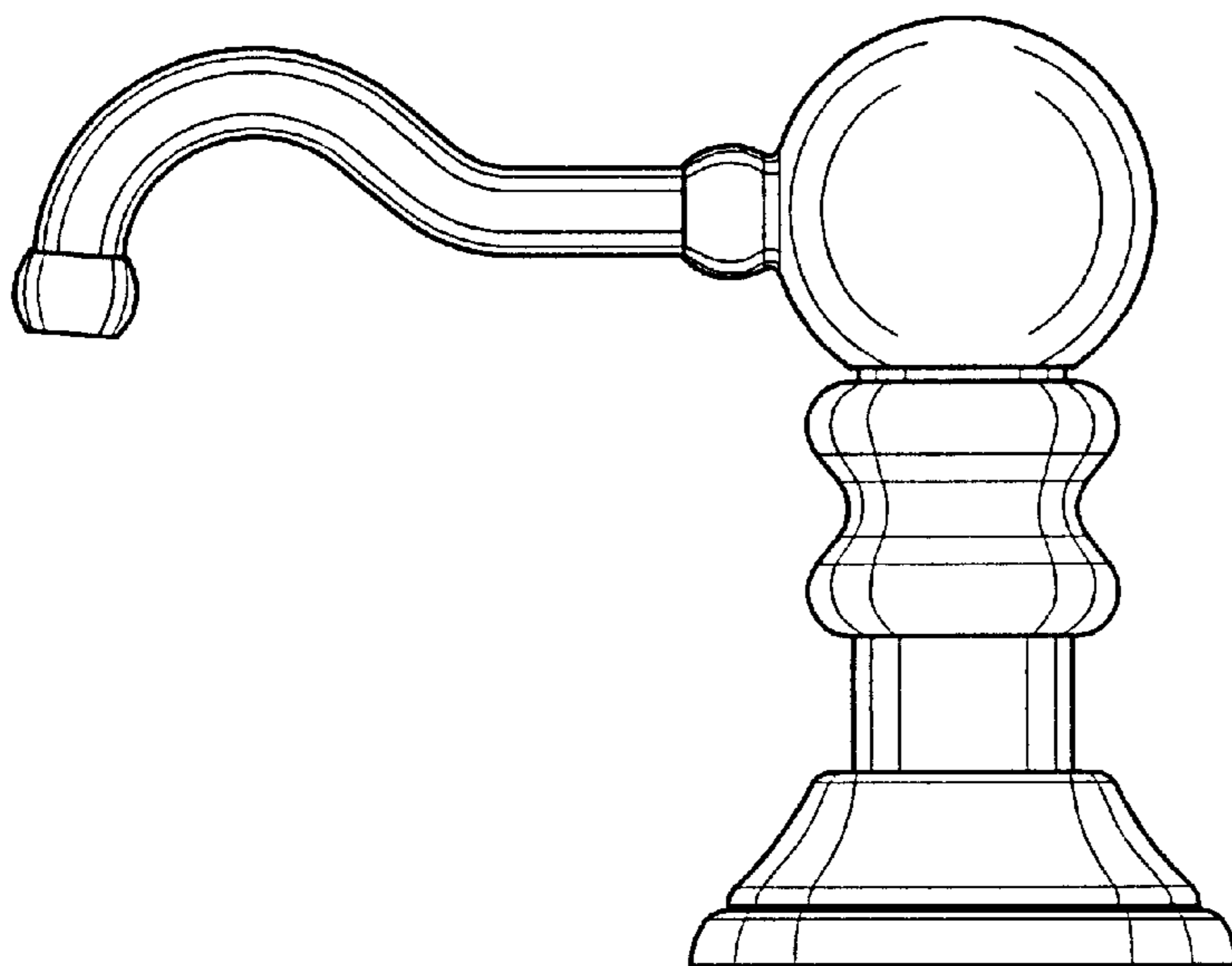


FIG. 5

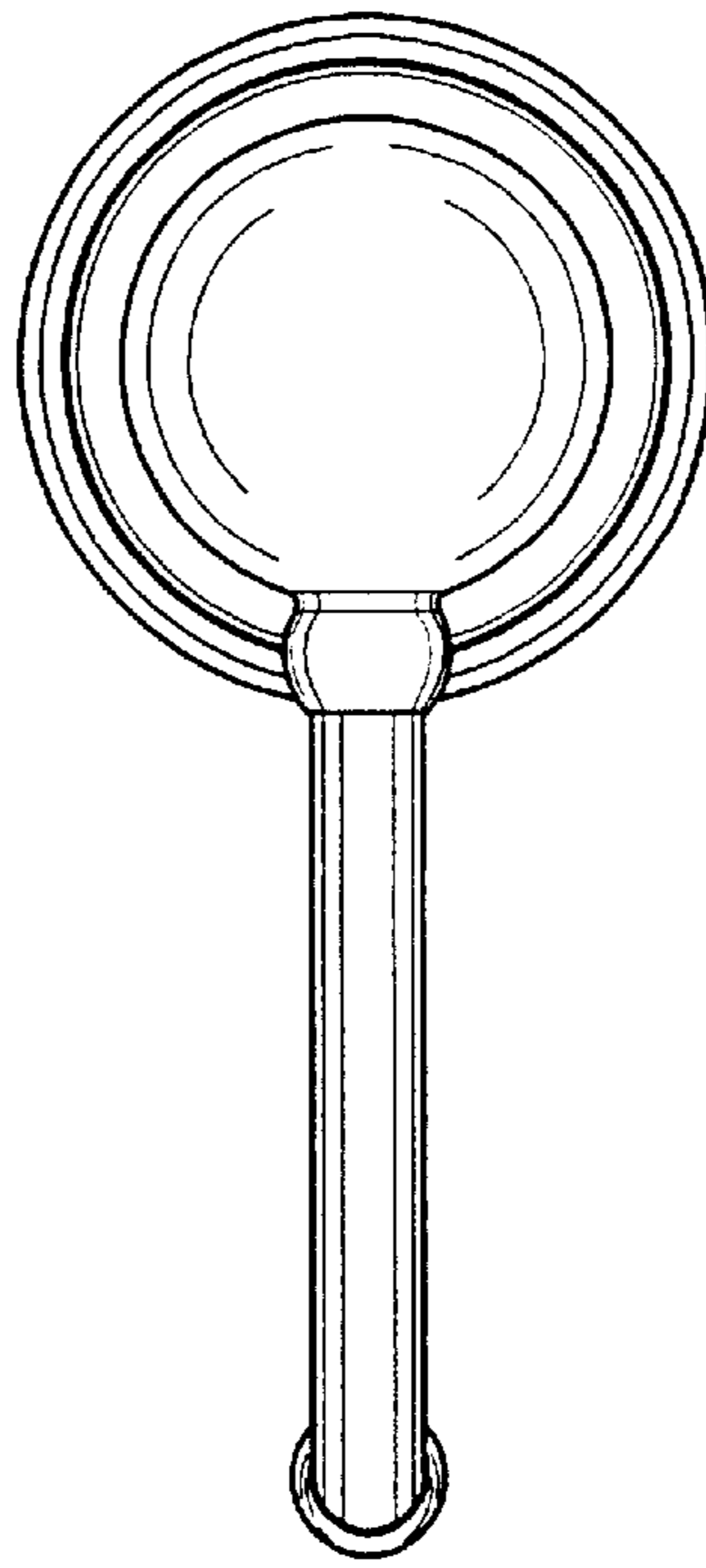


FIG. 6

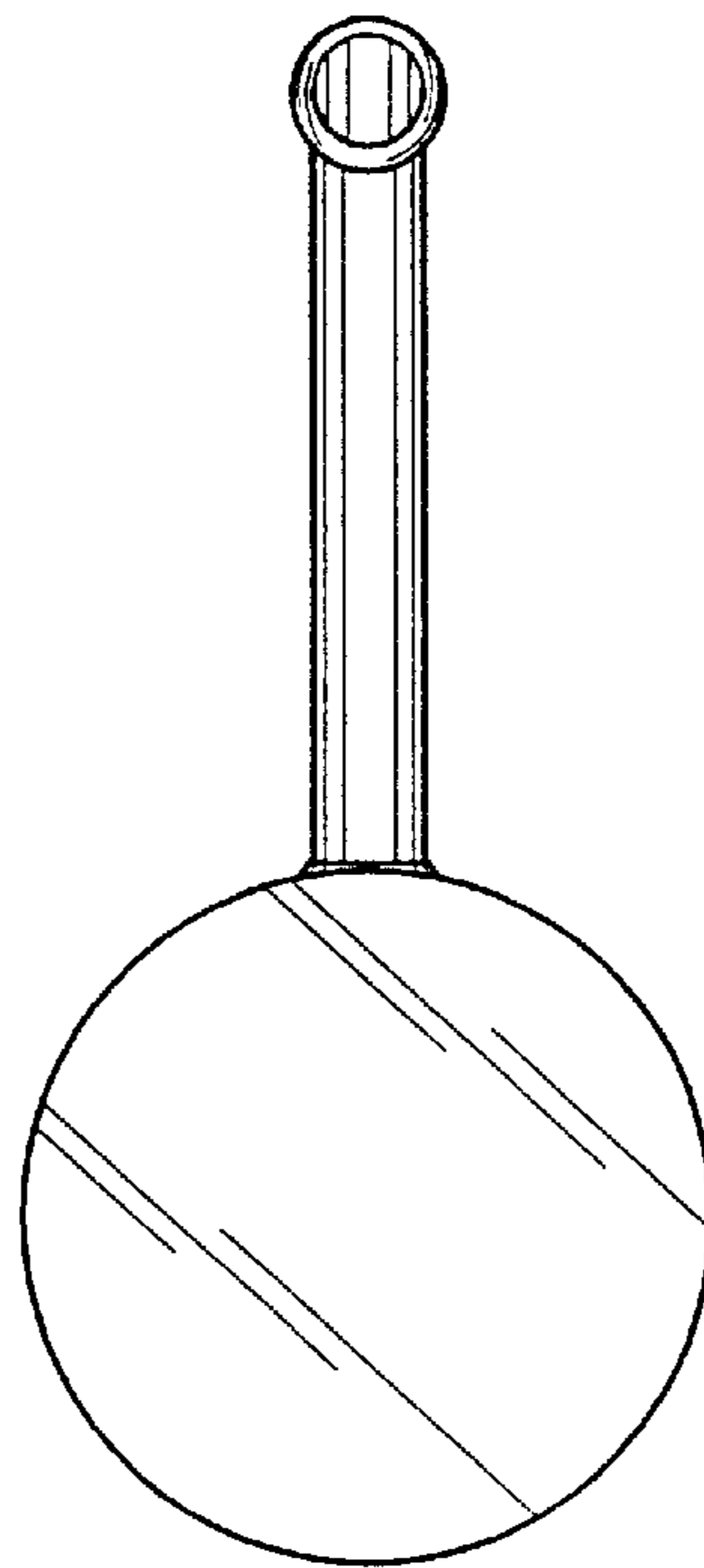


FIG. 7