



US00D479075S

(12) **United States Design Patent**  
**Zhao**

(10) **Patent No.:** **US D479,075 S**

(45) **Date of Patent:** **\*\* Sep. 2, 2003**

(54) **SOAP DISPENSER**

(75) Inventor: **Weidong Zhao**, Xiamen (CN)

(73) Assignee: **Xiamen Lota International Co., Ltd.**,  
Xiamen (CN)

(\*\*) Term: **14 Years**

(21) Appl. No.: **29/164,386**

(22) Filed: **Jul. 24, 2002**

(51) **LOC (7) Cl.** ..... **23-02**

(52) **U.S. Cl.** ..... **D6/542**

(58) **Field of Search** ..... D6/542-545; 222/92,  
222/105, 173; 221/282, 283; D23/238

(56) **References Cited**

**U.S. PATENT DOCUMENTS**

D349,649 S	*	8/1994	Hanna	.....	D6/542 X
D396,590 S	*	8/1998	Warshawsky	.....	D6/542
D426,093 S	*	6/2000	Cayouette	.....	D6/542
D451,735 S	*	12/2001	Hanna	.....	D6/542
D466,191 S	*	11/2002	Lord	.....	D6/542 X
D466,588 S	*	12/2002	Lord	.....	D6/542 X

**OTHER PUBLICATIONS**

Price Pfister Marielle Soap Dispenser.  
Delta Victorian Soap Dispenser.

\* cited by examiner

*Primary Examiner*—Brian N. Vinson

(74) *Attorney, Agent, or Firm*—Wallenstein & Wagner, Ltd.

(57) **CLAIM**

I claim the ornamental design for a soap dispenser, shown and described.

**DESCRIPTION**

FIG. 1 is a perspective view of the soap dispenser of the invention;

FIG. 2 is a front view of the soap dispenser of FIG. 1;

FIG. 3 is a top view of the soap dispenser of FIG. 1;

FIG. 4 is a right side view of the soap dispenser of FIG. 1;

FIG. 5 is a bottom view of the soap dispenser of FIG. 1;

FIG. 6 is a left side view of the soap dispenser of FIG. 1; and,

FIG. 7 is a rear view of the soap dispenser of FIG. 1.

The broken-line disclosure of a portion of a countertop in the views is for illustrative purposes only and forms no part of the claimed design.

**1 Claim, 3 Drawing Sheets**

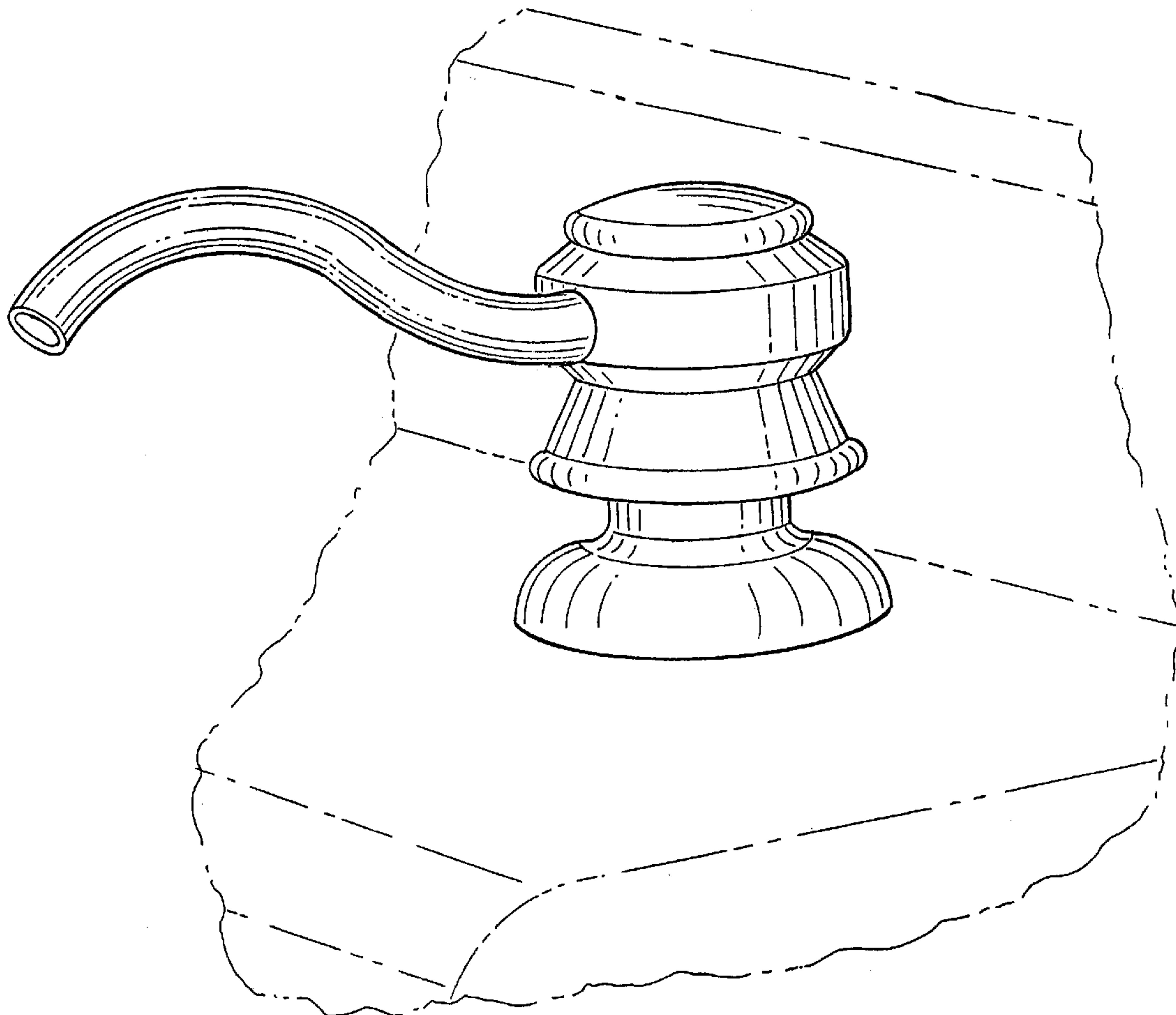


FIG. 1

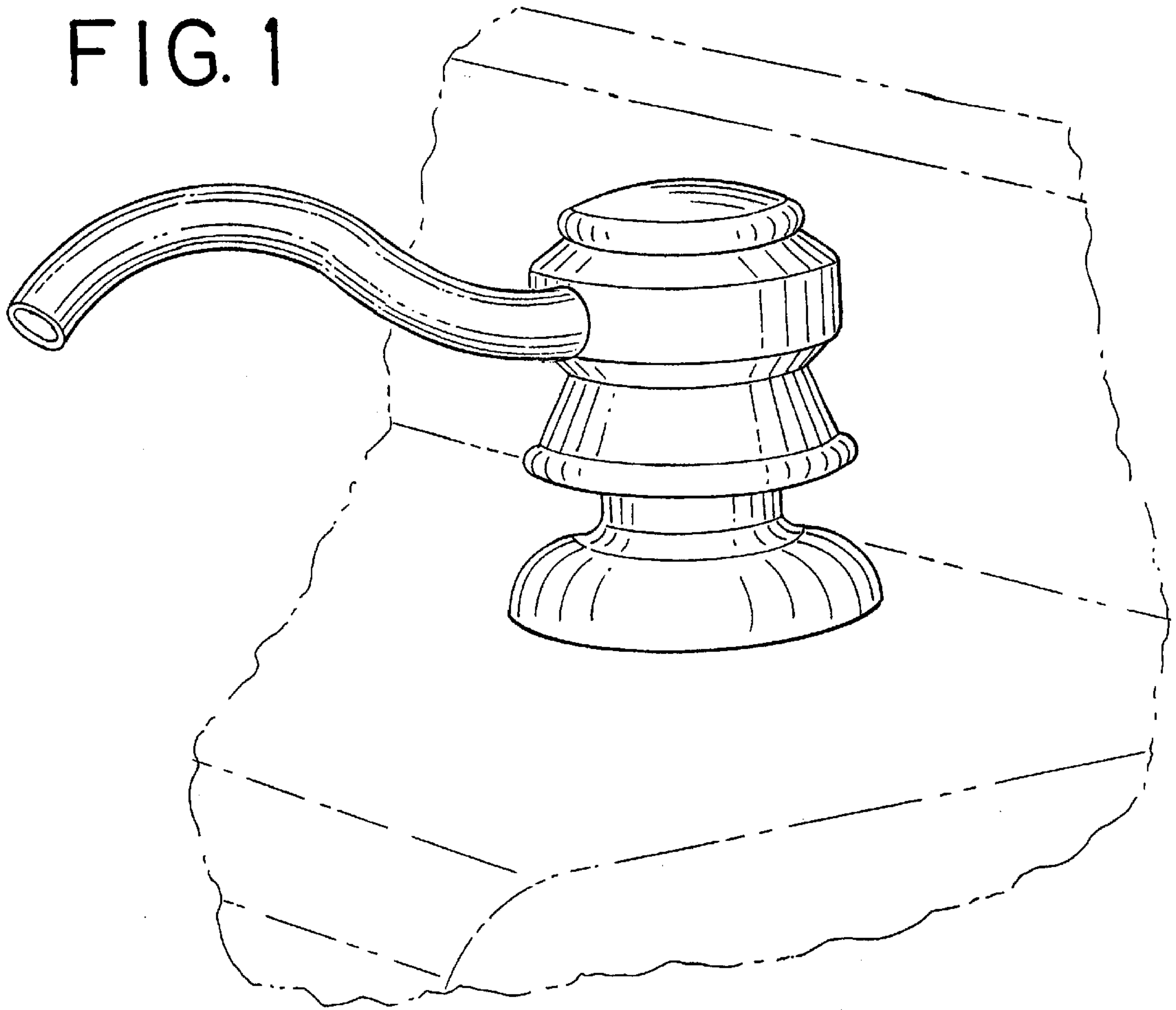


FIG. 2

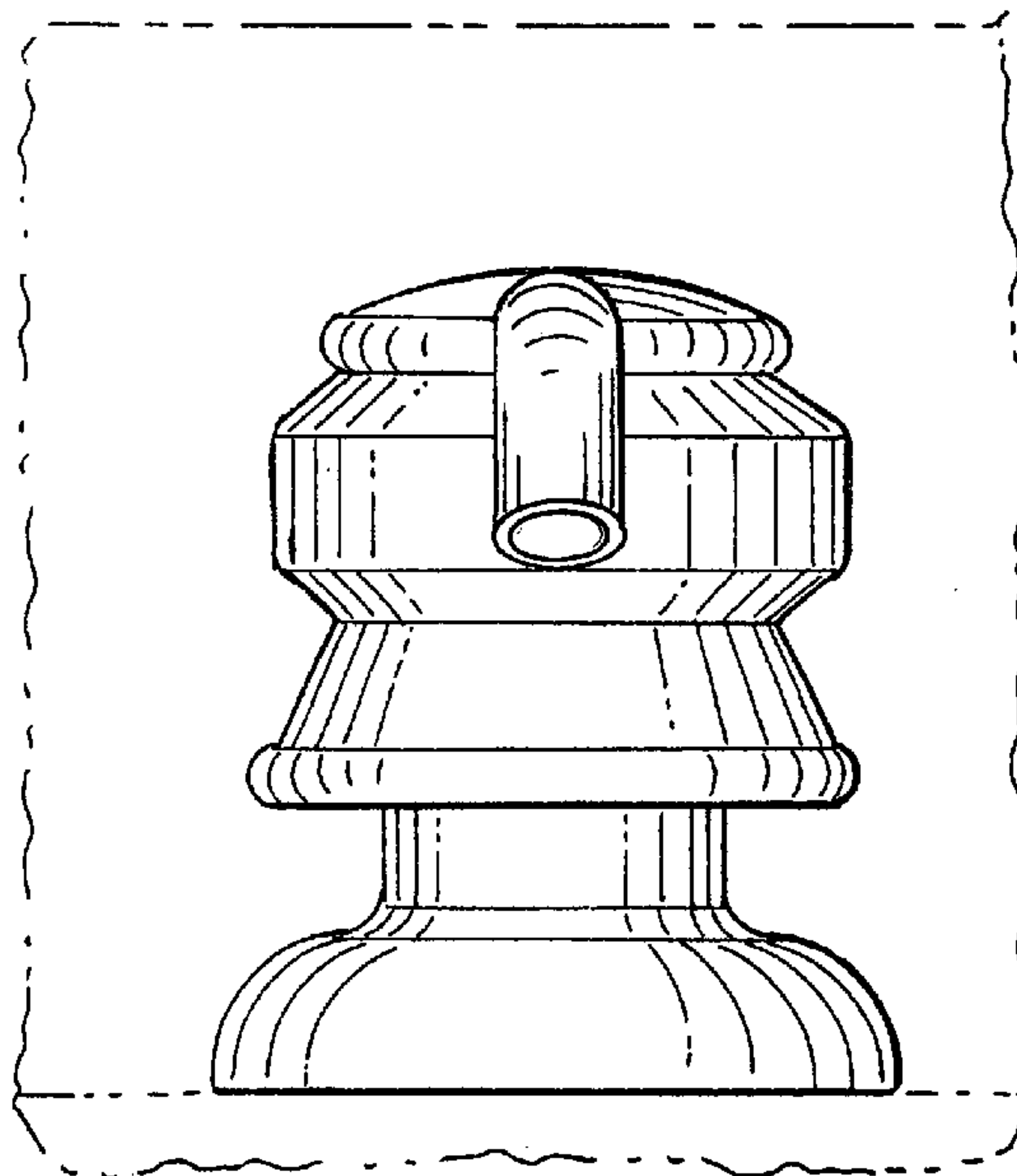


FIG. 3

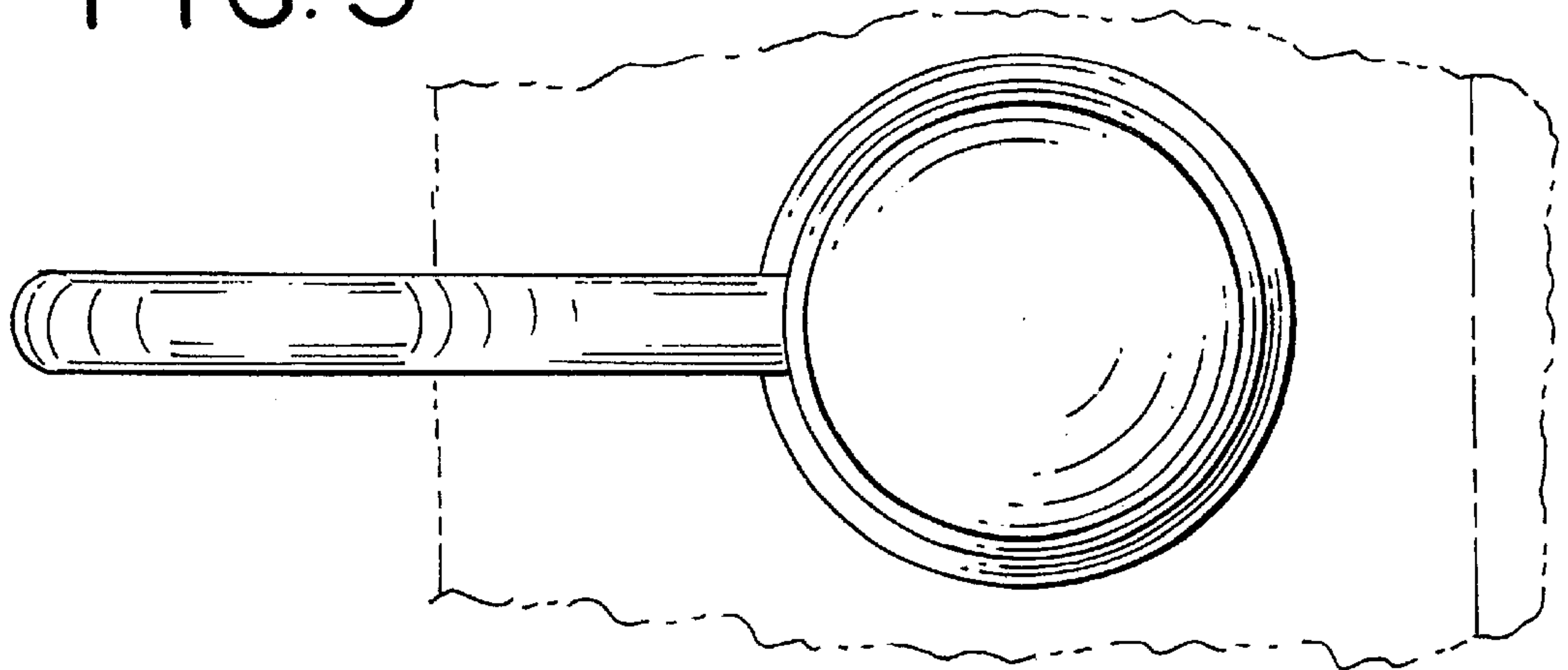


FIG. 4

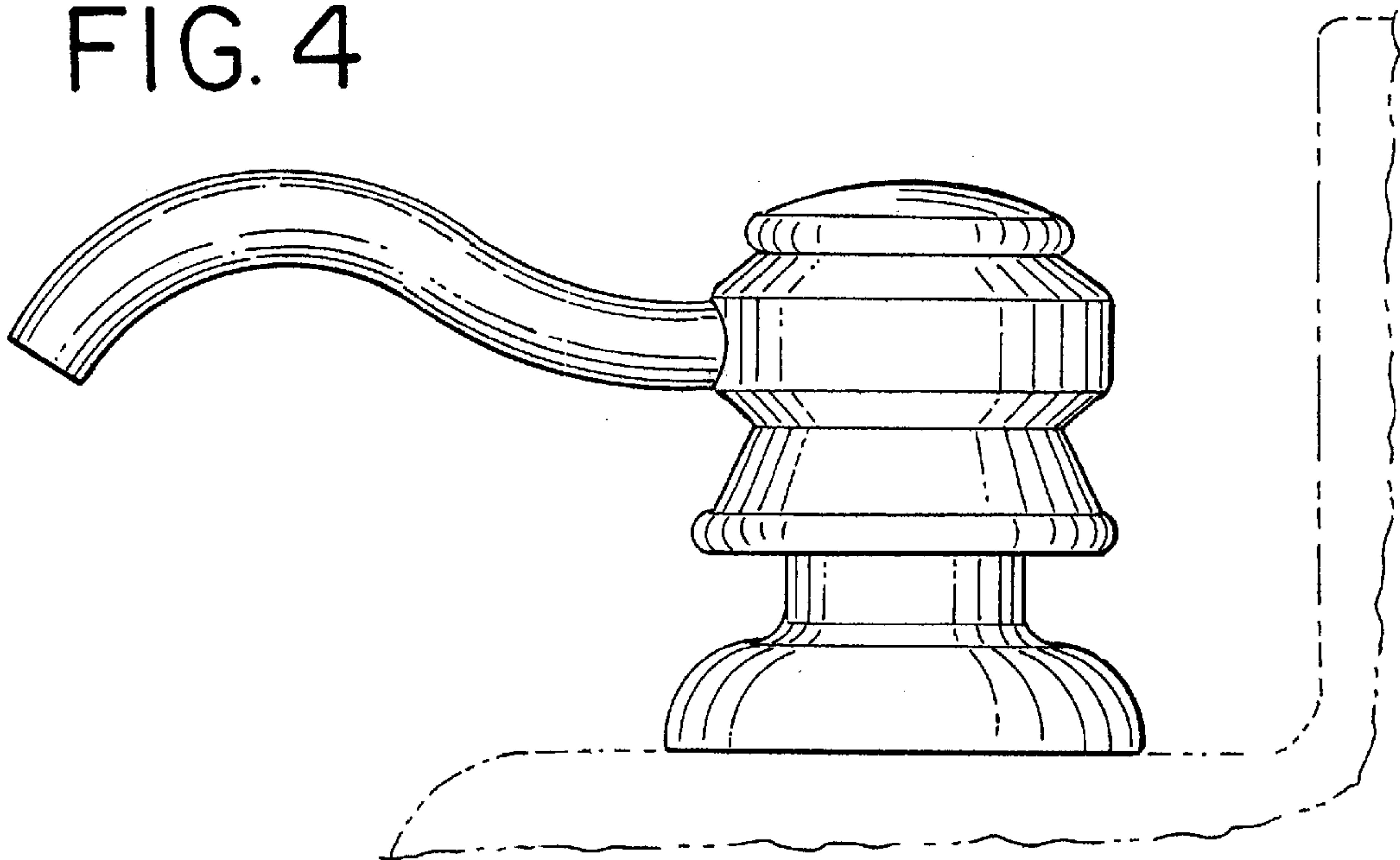


FIG. 5

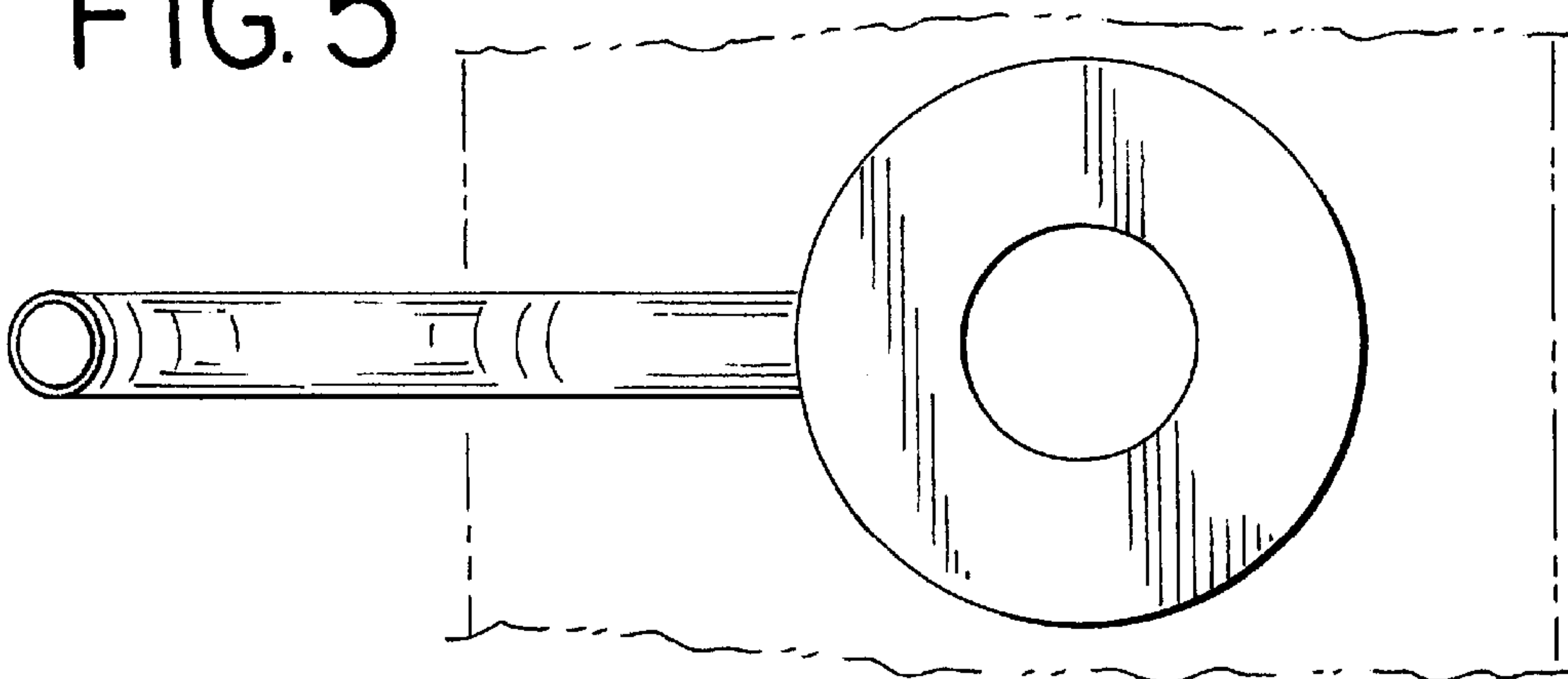


FIG. 6

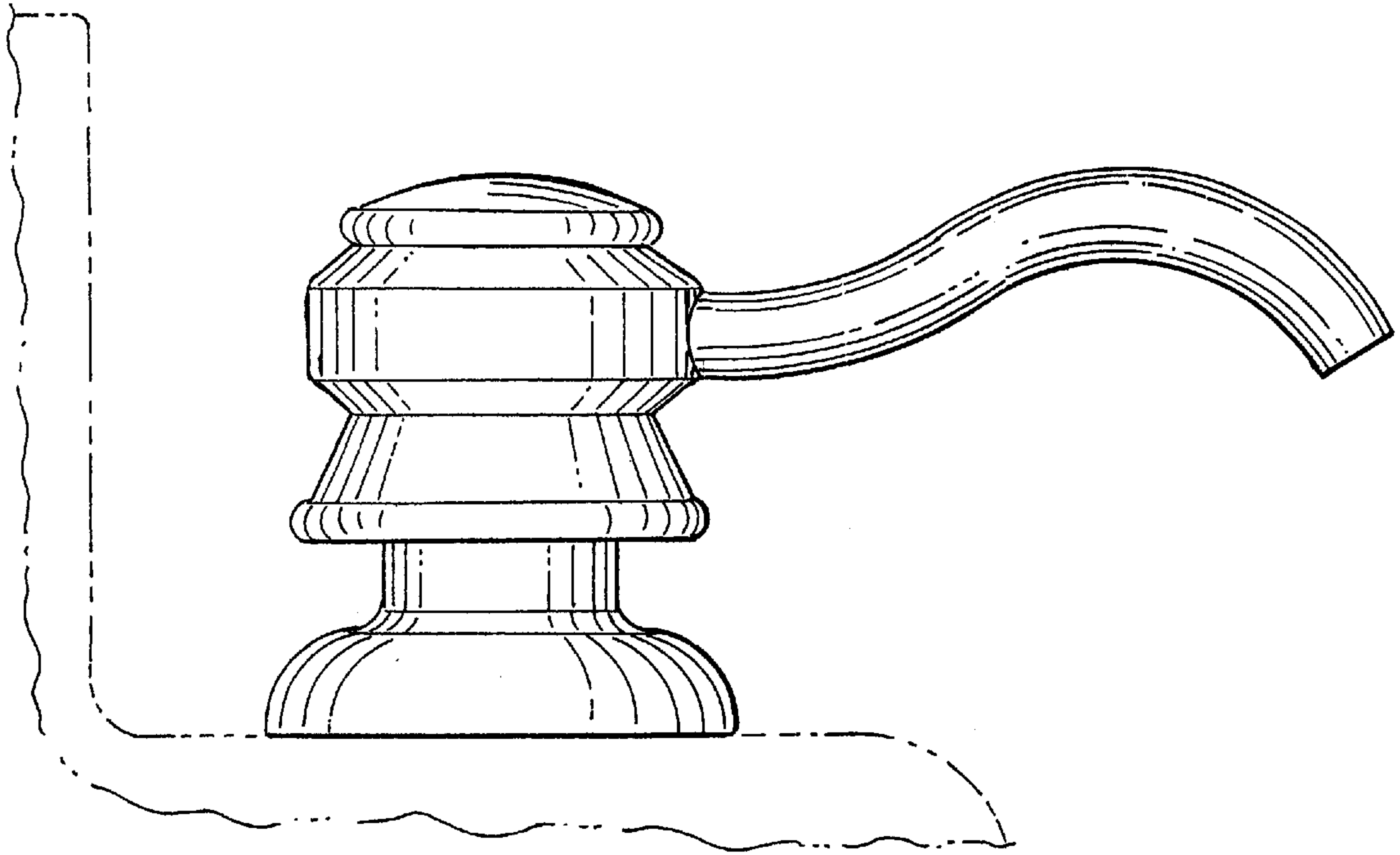


FIG. 7

