



US00D479074S

(12) **United States Design Patent**  
**Snell**

(10) **Patent No.:** **US D479,074 S**

(45) **Date of Patent:** **\*\* Sep. 2, 2003**

(54) **SHOWER CADDY WITH HOOK FINIALS**

D449,478 S 10/2001 Snell

D450,213 S 11/2001 Snell

D464,516 S 10/2002 Snell

(75) Inventor: **Russell Benton Snell**, Bentleyville, OH (US)

\* cited by examiner

(73) Assignee: **InterDesign, Inc.**, Solon, OH (US)

*Primary Examiner*—Brian N. Vinson

(\*\*) Term: **14 Years**

(74) *Attorney, Agent, or Firm*—D. Peter Hochberg; Katherine R. Vieyra; Sean Mellino

(21) Appl. No.: **29/175,476**

(57) **CLAIM**

(22) Filed: **Feb. 5, 2003**

The ornamental design for a shower caddy with hook finials, as shown and described.

(51) **LOC (7) Cl.** ..... **23-02**

(52) **U.S. Cl.** ..... **D6/525**

(58) **Field of Search** ..... D6/524, 525, 566, D6/536, 540; 211/13.1, 71, 74, 75, 86.01, 88.01, 90.01, 90.03, 90.04, 119, 106, 126.1, 133.5, 134, 181.1

**DESCRIPTION**

(56) **References Cited**

**U.S. PATENT DOCUMENTS**

D298,990 S	*	12/1988	Chap	.....	D6/525
D378,556 S	*	3/1997	Munoz	.....	D6/525
5,620,105 A	*	4/1997	Macek	.....	211/119
D400,745 S	*	11/1998	France	.....	D6/525
D434,257 S	*	11/2000	Andujar	.....	D6/525
D446,670 S	*	8/2001	Emery et al.	.....	D6/525

FIG. 1 is a perspective view of a shower caddy embodying this invention;  
FIG. 2 is a top view of the shower caddy shown in FIG. 1;  
FIG. 3 is a front view of the shower caddy shown in FIG. 1;  
FIG. 4 is a right side elevation view of the shower caddy shown in FIG. 1;  
FIG. 5 is a rear view of the shower caddy shown in FIG. 1;  
FIG. 6; is a left side elevation view of the shower caddy shown in FIG. 1; and,  
FIG. 7 is a bottom view of the shower caddy shown in FIG. 1.

**1 Claim, 3 Drawing Sheets**

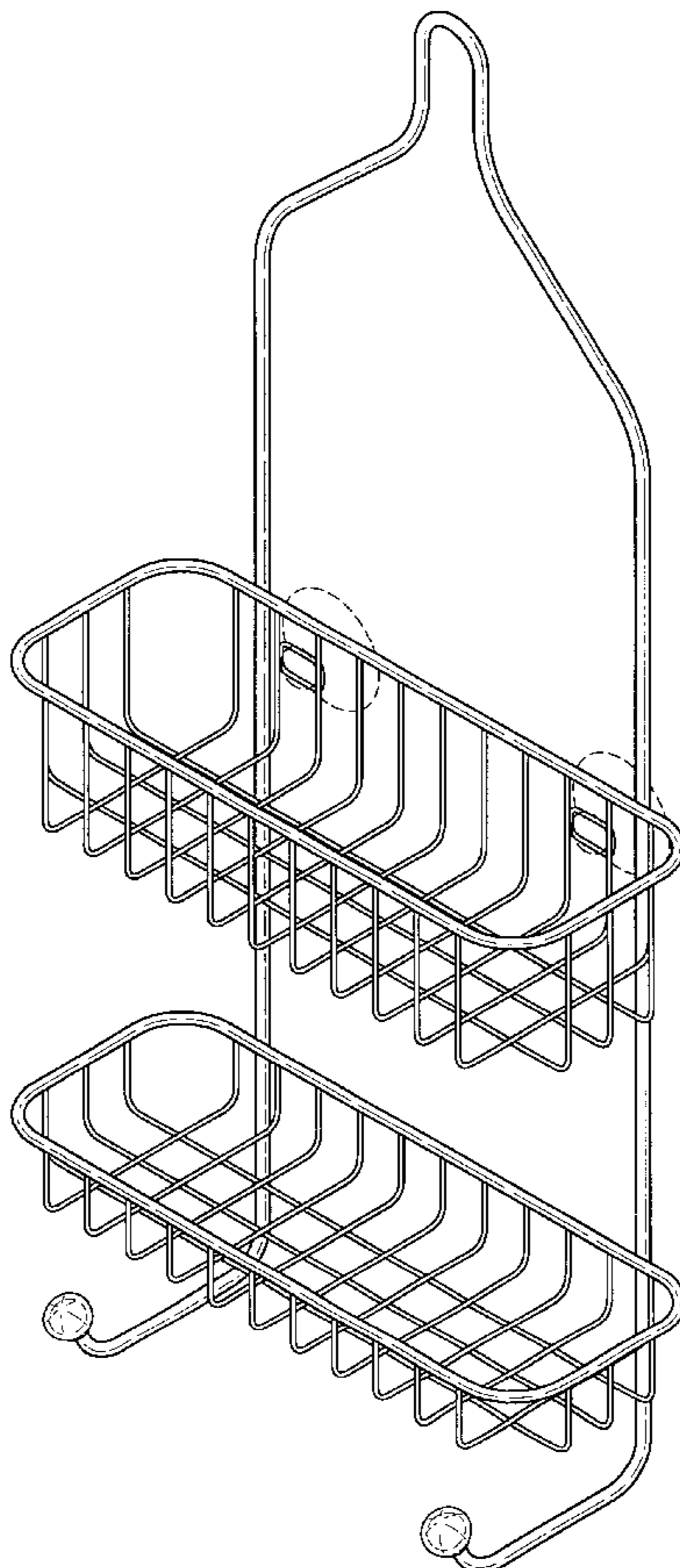
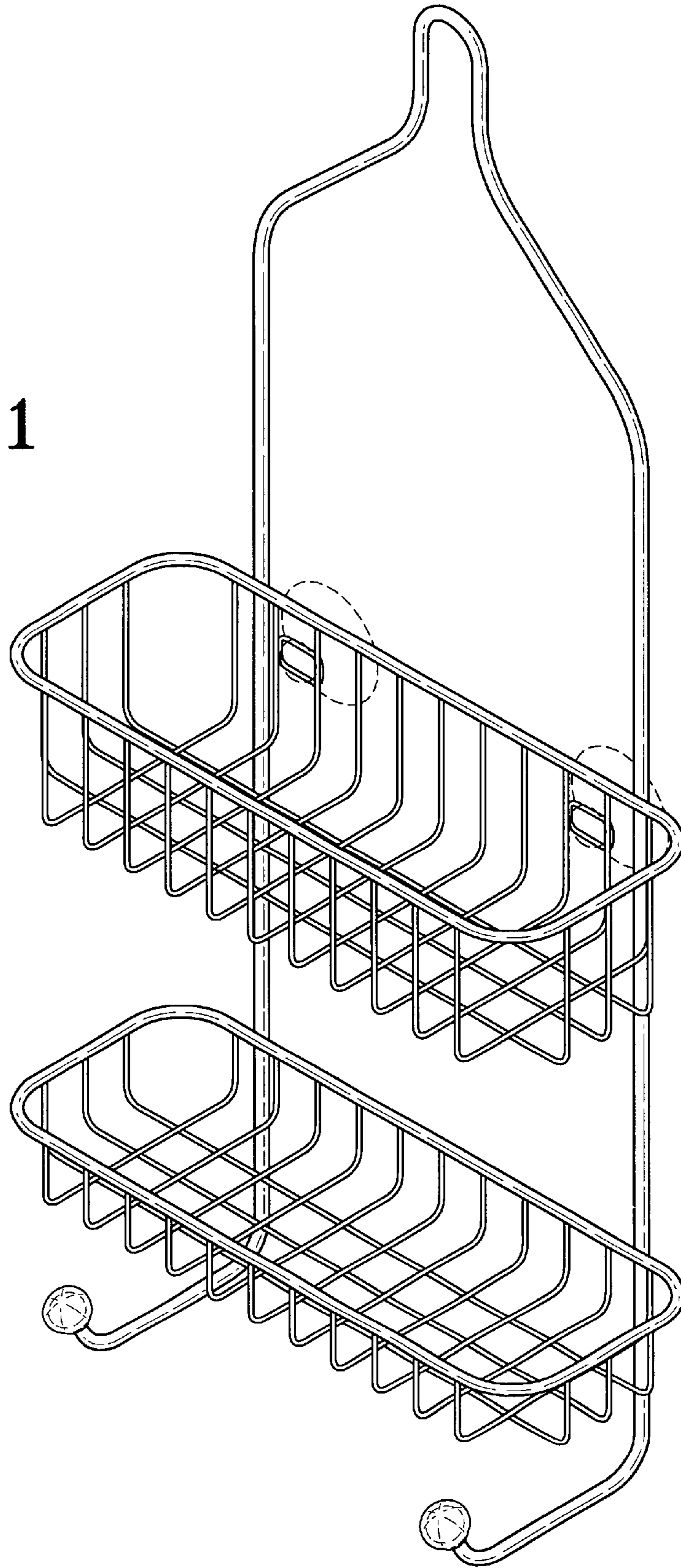


FIG-1



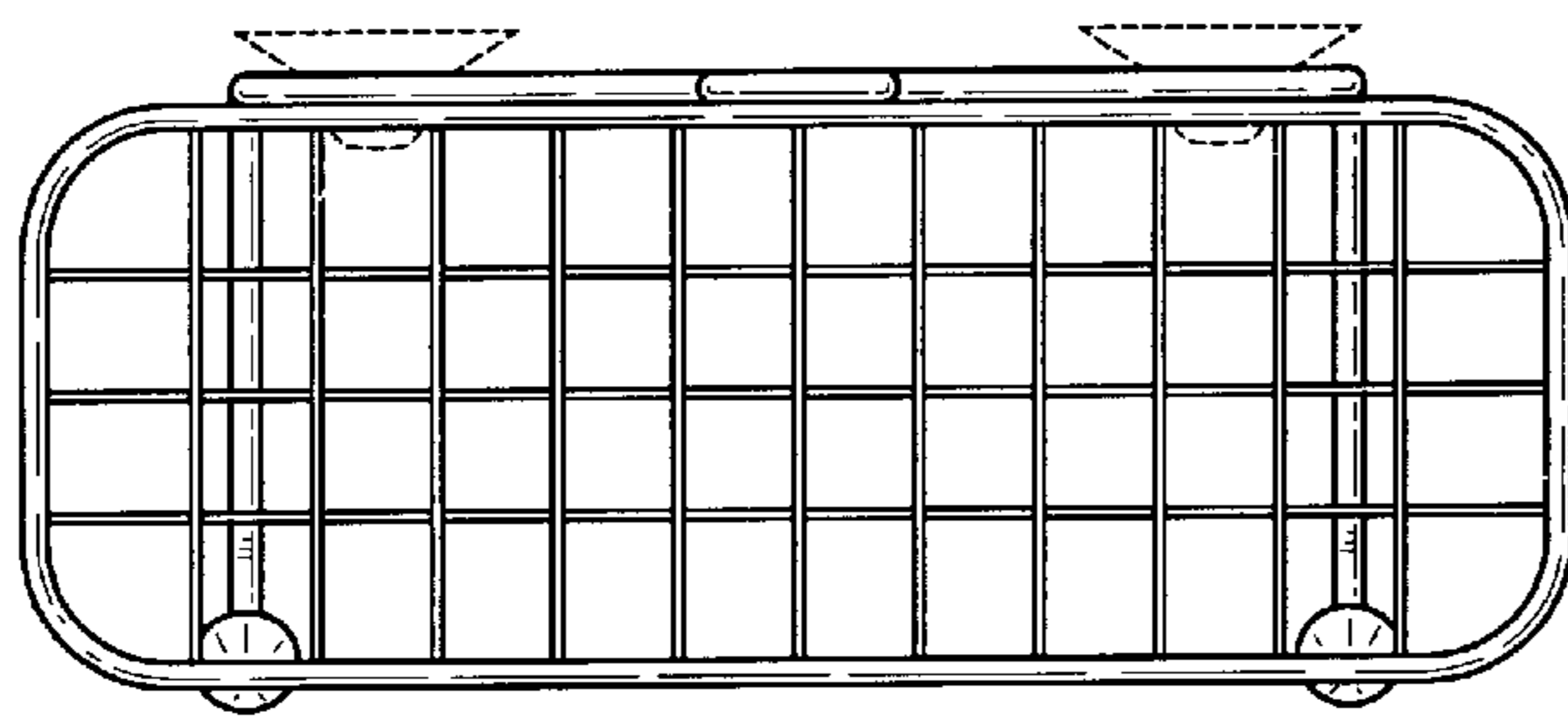


FIG-2

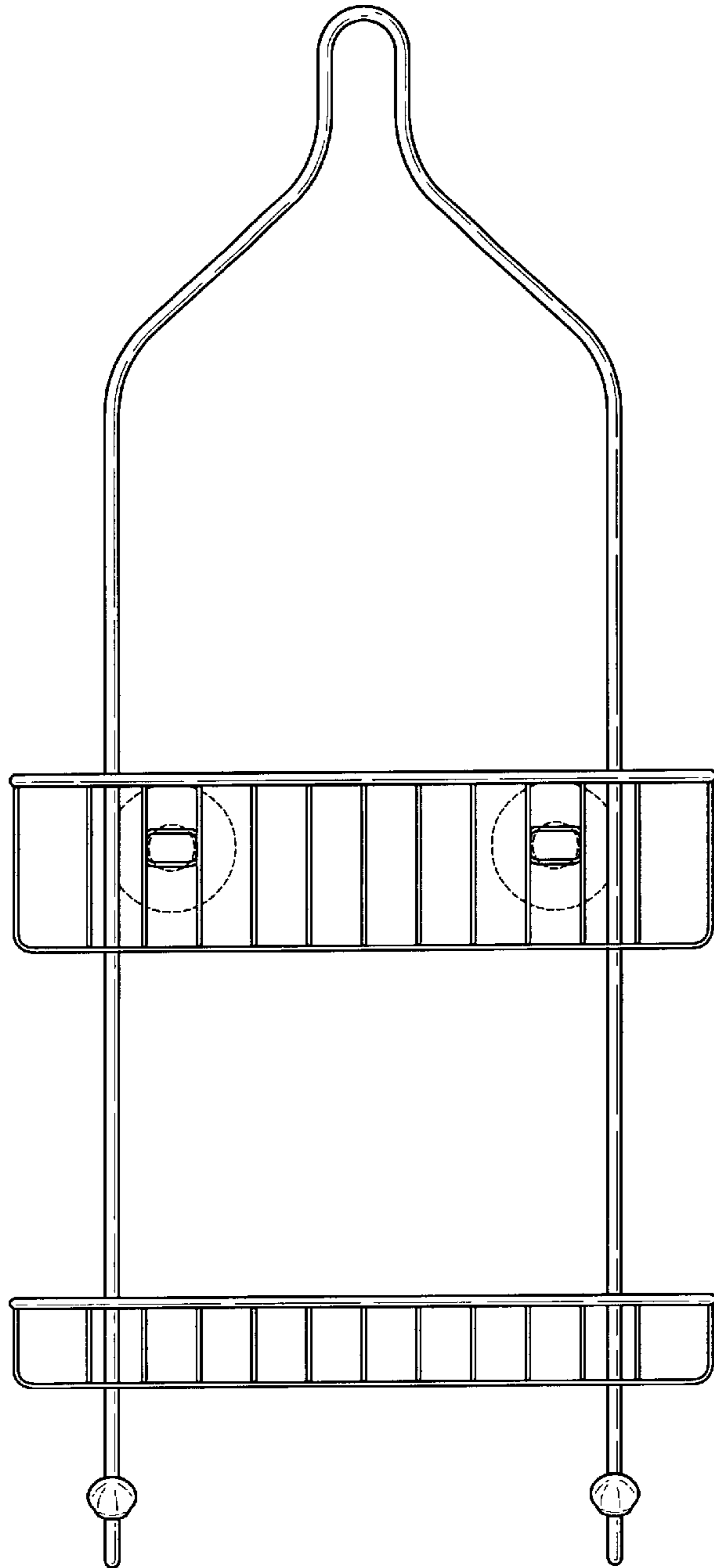


FIG-3

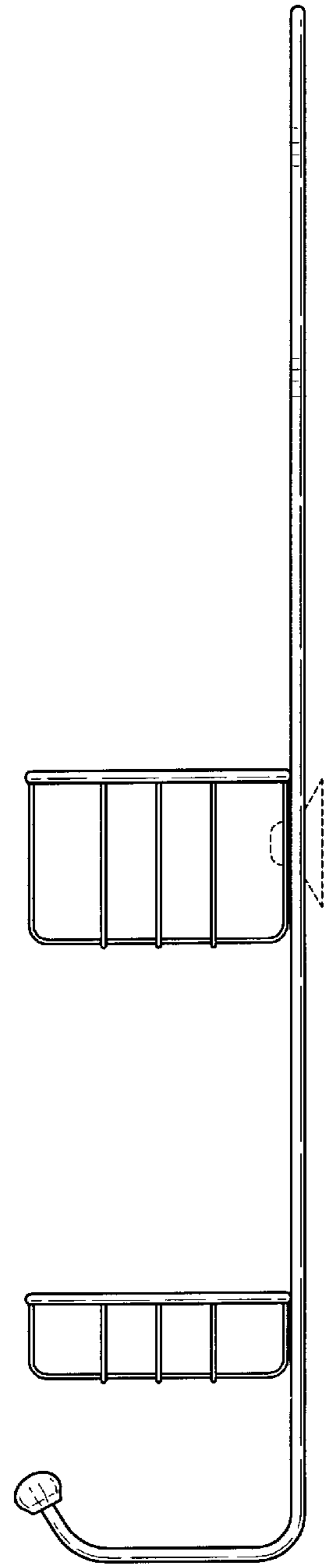


FIG-4

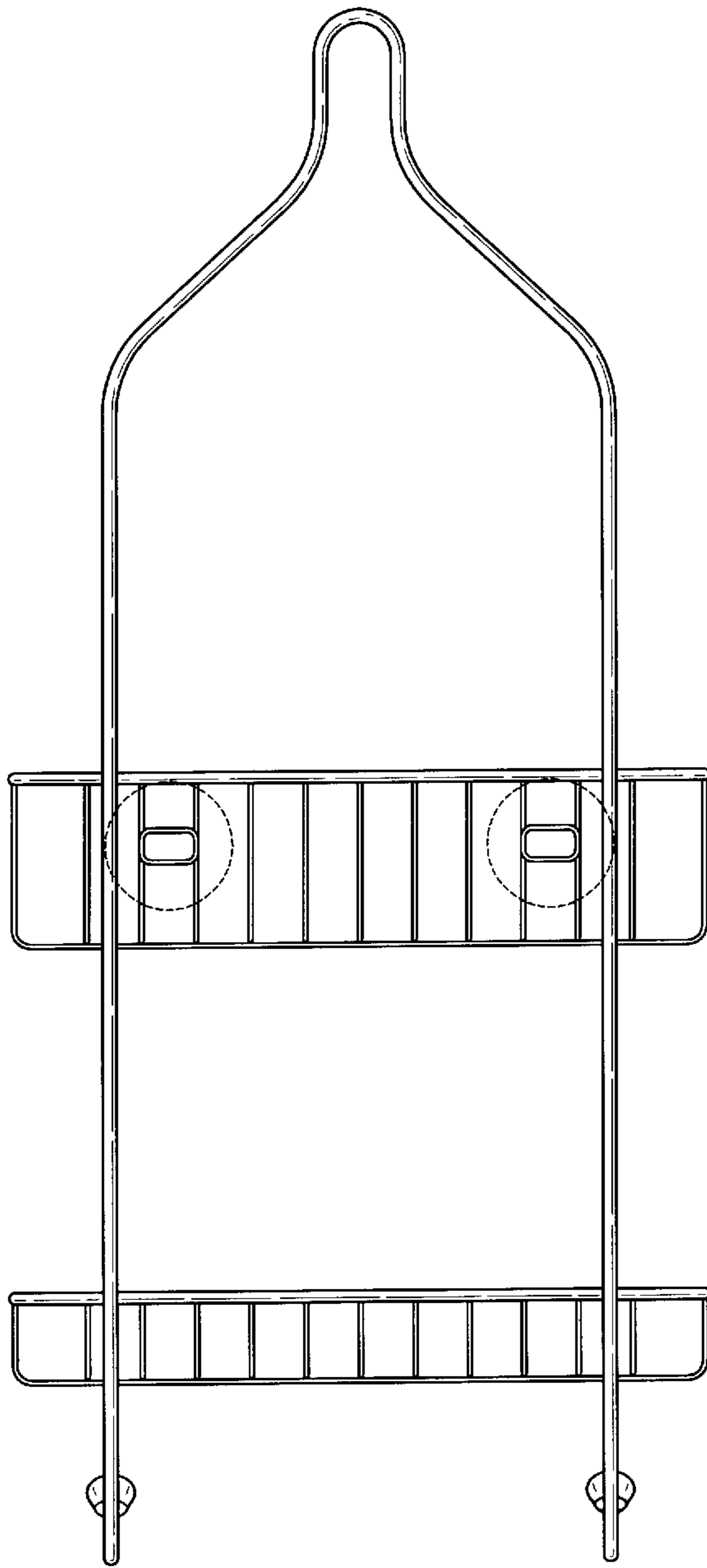


FIG-5

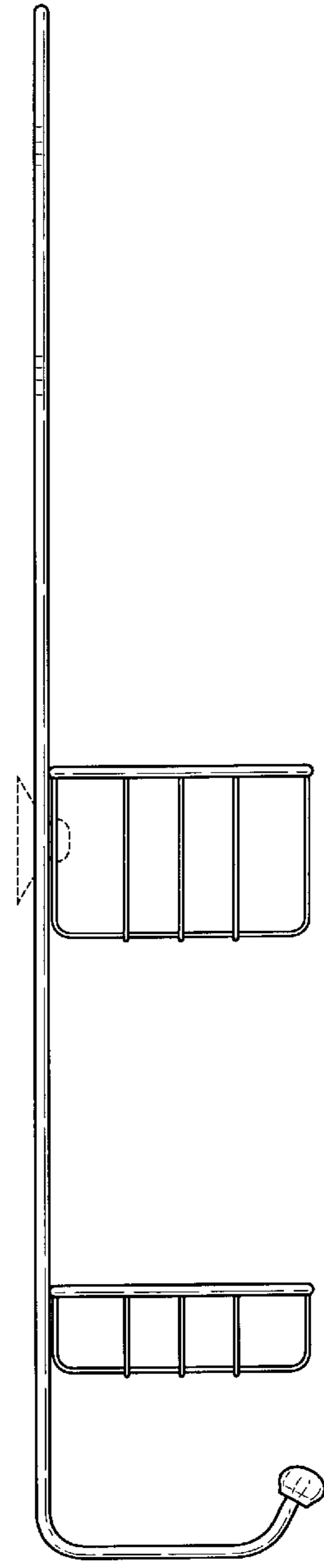


FIG-6

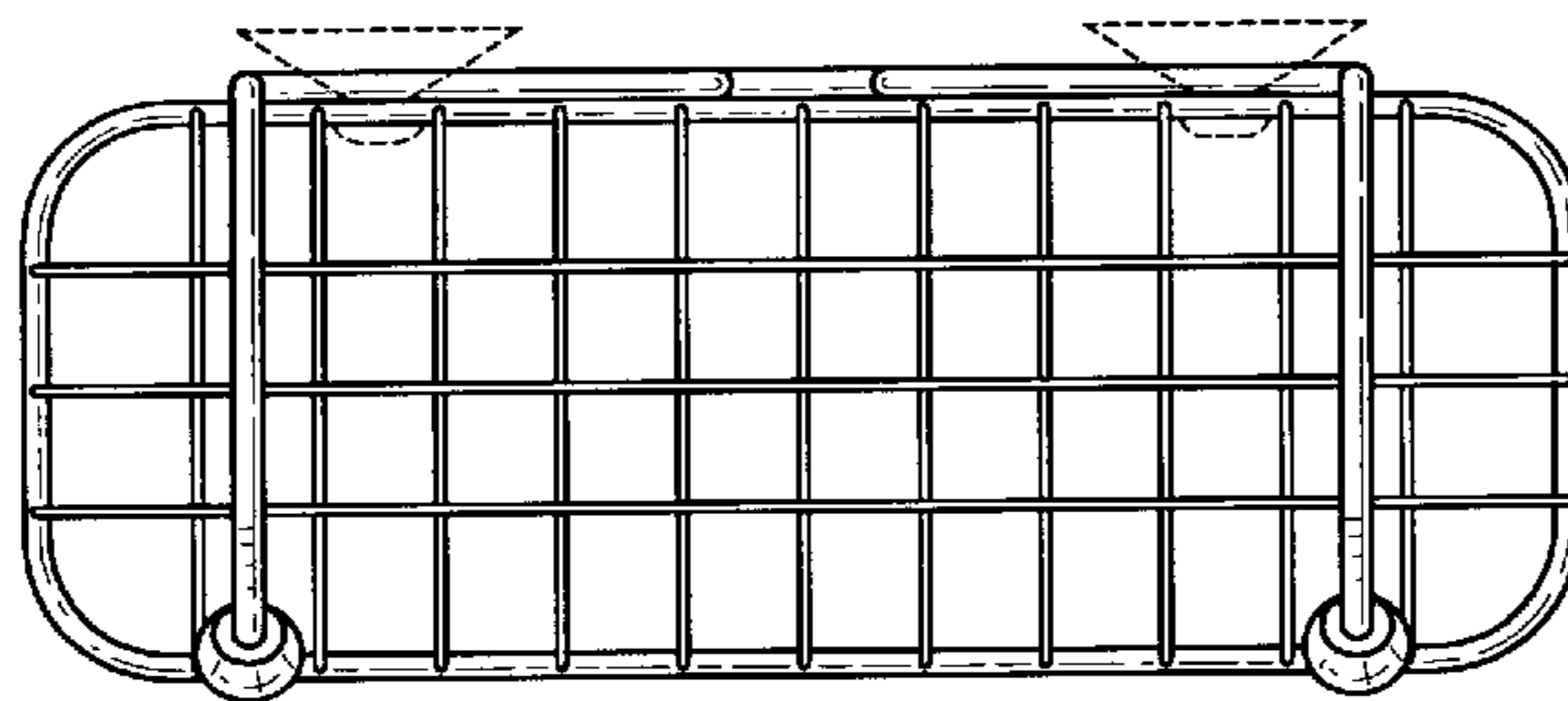


FIG-7