



US00D479072S

(12) **United States Design Patent**
Duncan et al.

(10) **Patent No.:** **US D479,072 S**

(45) **Date of Patent:** **** Sep. 2, 2003**

(54) **PAPER TOWEL HOLDER**

6,302,348 B1 * 10/2001 Lillelund et al. 242/597.7 X
D452,398 S * 12/2001 Hollinger D6/522

(75) Inventors: **McKay Duncan**, Brooklyn, NY (US);
Kevin Williams, Brooklyn, NY (US)

* cited by examiner

(73) Assignee: **Creative Bath Products, Inc.**, Central
Islip, NY (US)

Primary Examiner—Brian N. Vinson

(74) *Attorney, Agent, or Firm*—Gerald E. Hespos; Anthony
J. Casella

(**) Term: **14 Years**

(57) **CLAIM**

(21) Appl. No.: **29/176,207**

The ornamental design of a paper towel holder, as shown
and described.

(22) Filed: **Feb. 14, 2003**

(51) **LOC (7) Cl.** **23-02**

(52) **U.S. Cl.** **D6/522; D6/521**

(58) **Field of Search** D6/518-523; 206/389,
206/391; 211/85.5, 59.1; 242/570, 590,
597, 597.7; 248/309.1, 309.2

DESCRIPTION

FIG. 1 is a side elevational view of the paper towel holder
in an orientation that exists when no paper towels are on the
holder;

FIG. 2 is a side elevational view similar to FIG. 1, but
showing the orientation of the paper towel holder when a roll
of paper towels is mounted thereon;

FIG. 3 is a front elevational view of the paper towel holder
shown in FIG. 1;

FIG. 4 is a top plan view thereof;

FIG. 5 is a rear elevational view thereof; and,

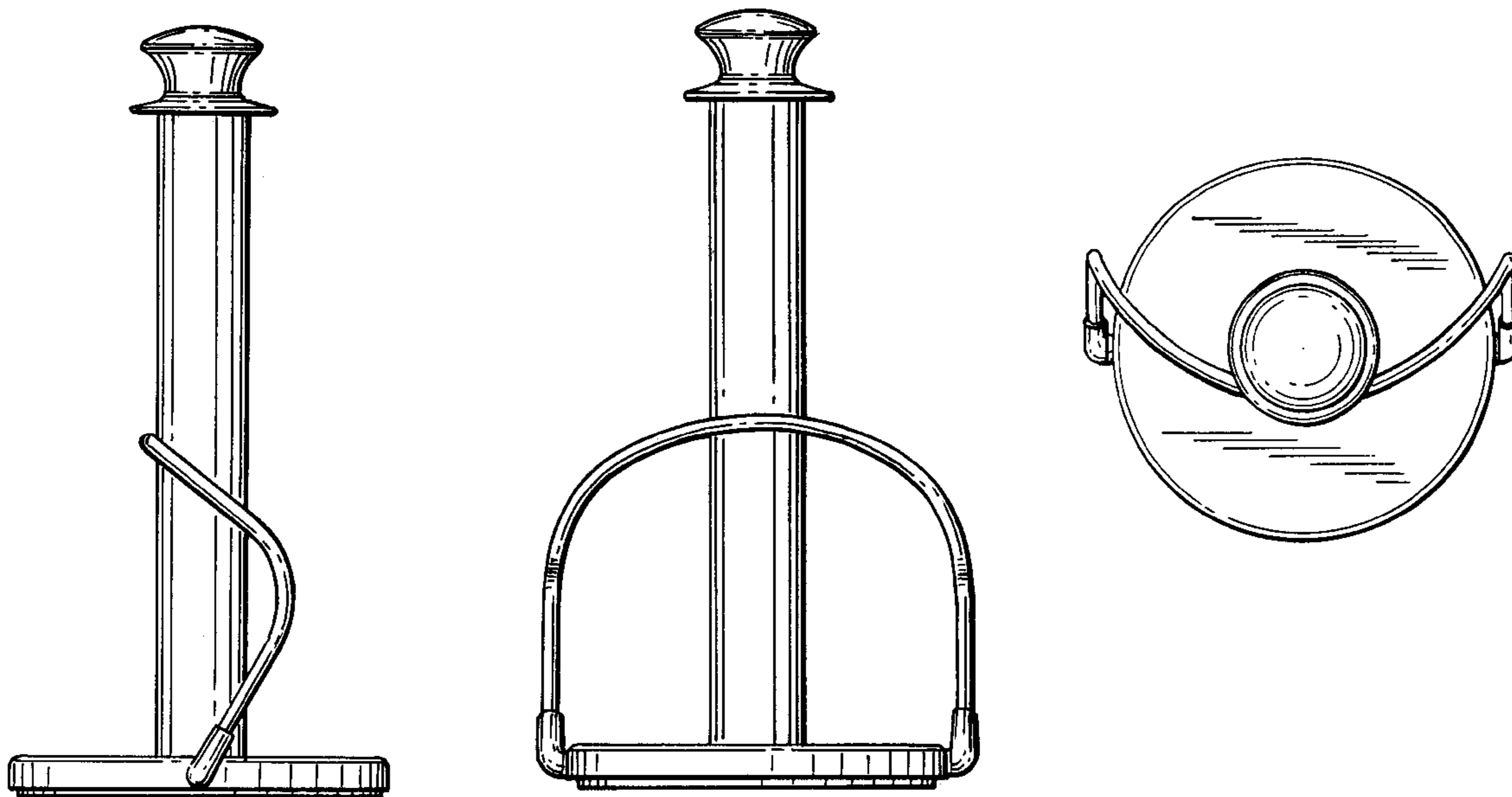
FIG. 6 is a bottom plan view thereof.

(56) **References Cited**

U.S. PATENT DOCUMENTS

D390,054 S	*	2/1998	Goodman	D6/522
D412,803 S	*	8/1999	Goodman et al.	D6/521
D432,828 S	*	10/2000	Snell	D6/522
D438,737 S	*	3/2001	Goodman et al.	D6/522
6,270,035 B1	*	8/2001	Lahaussais	242/597.7

1 Claim, 2 Drawing Sheets



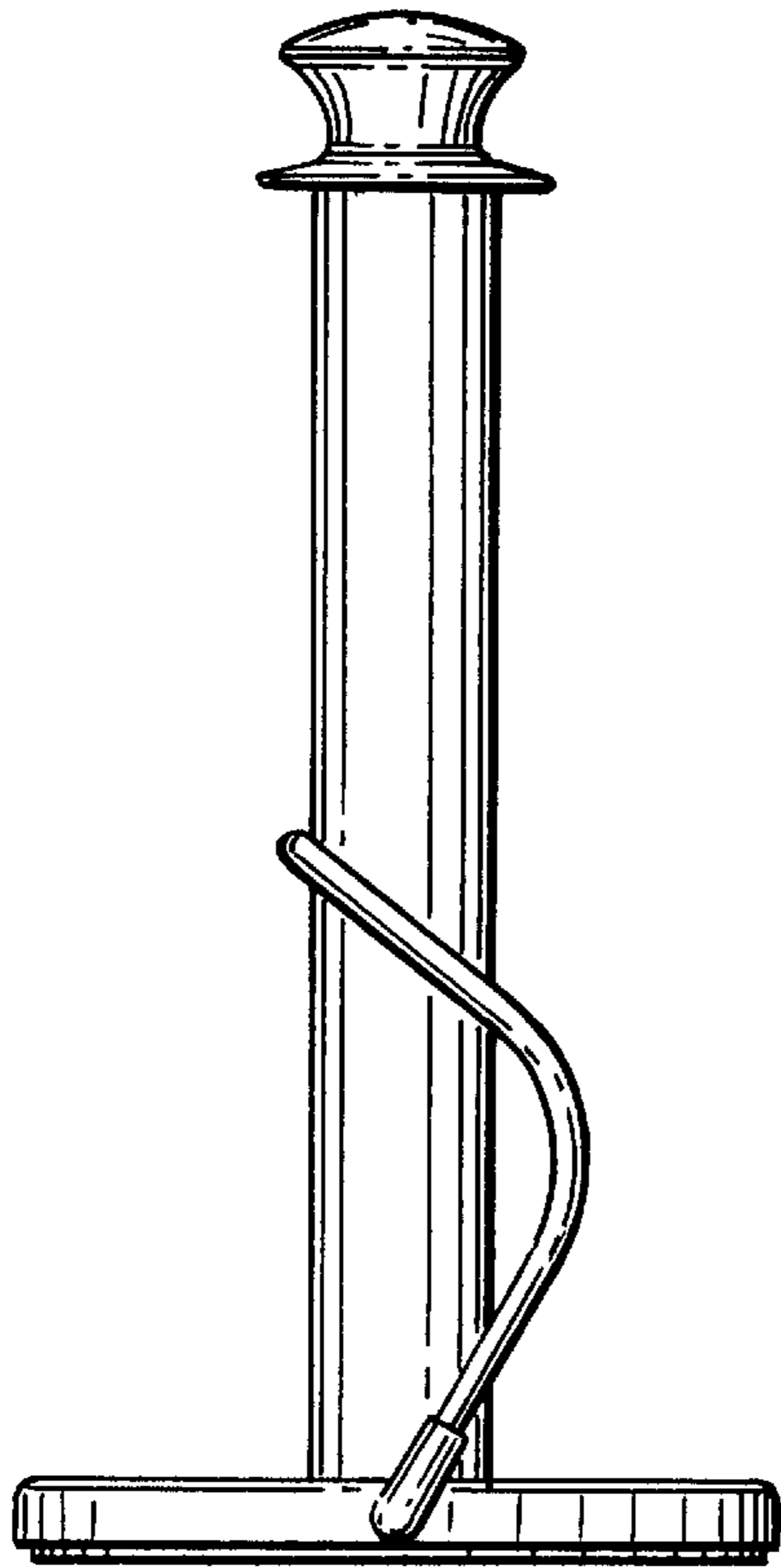


FIG. 1

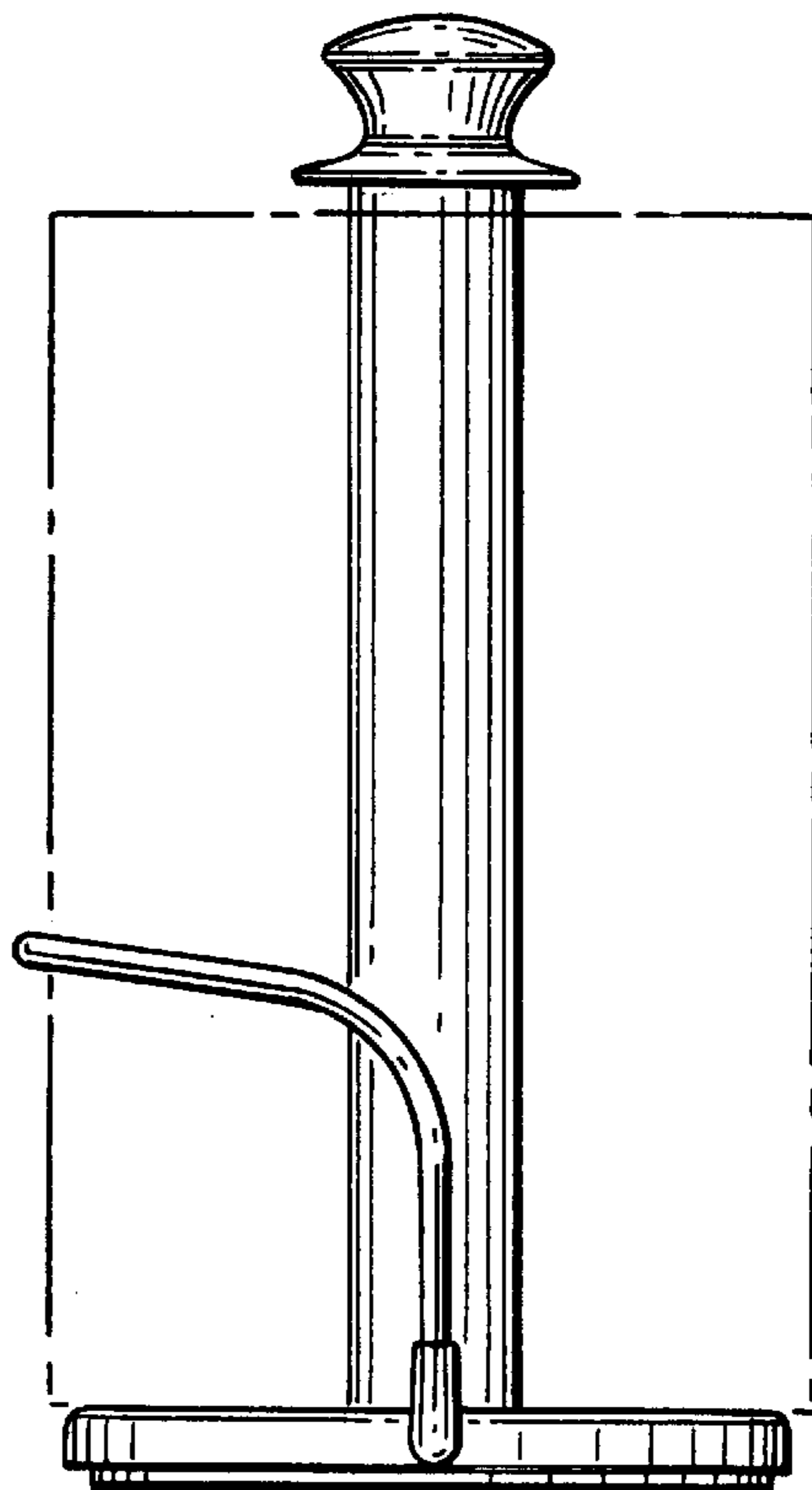


FIG. 2

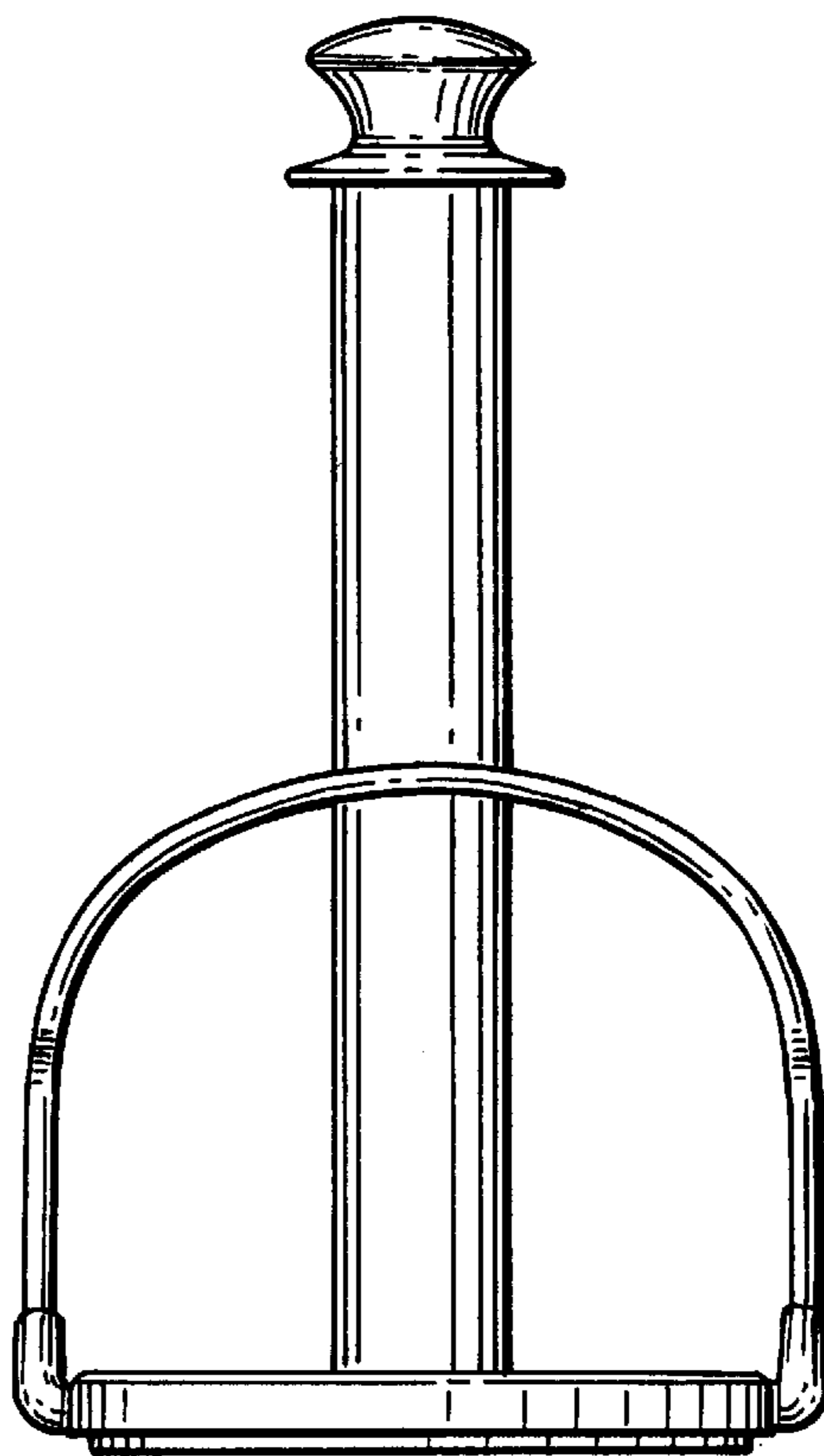


FIG. 3

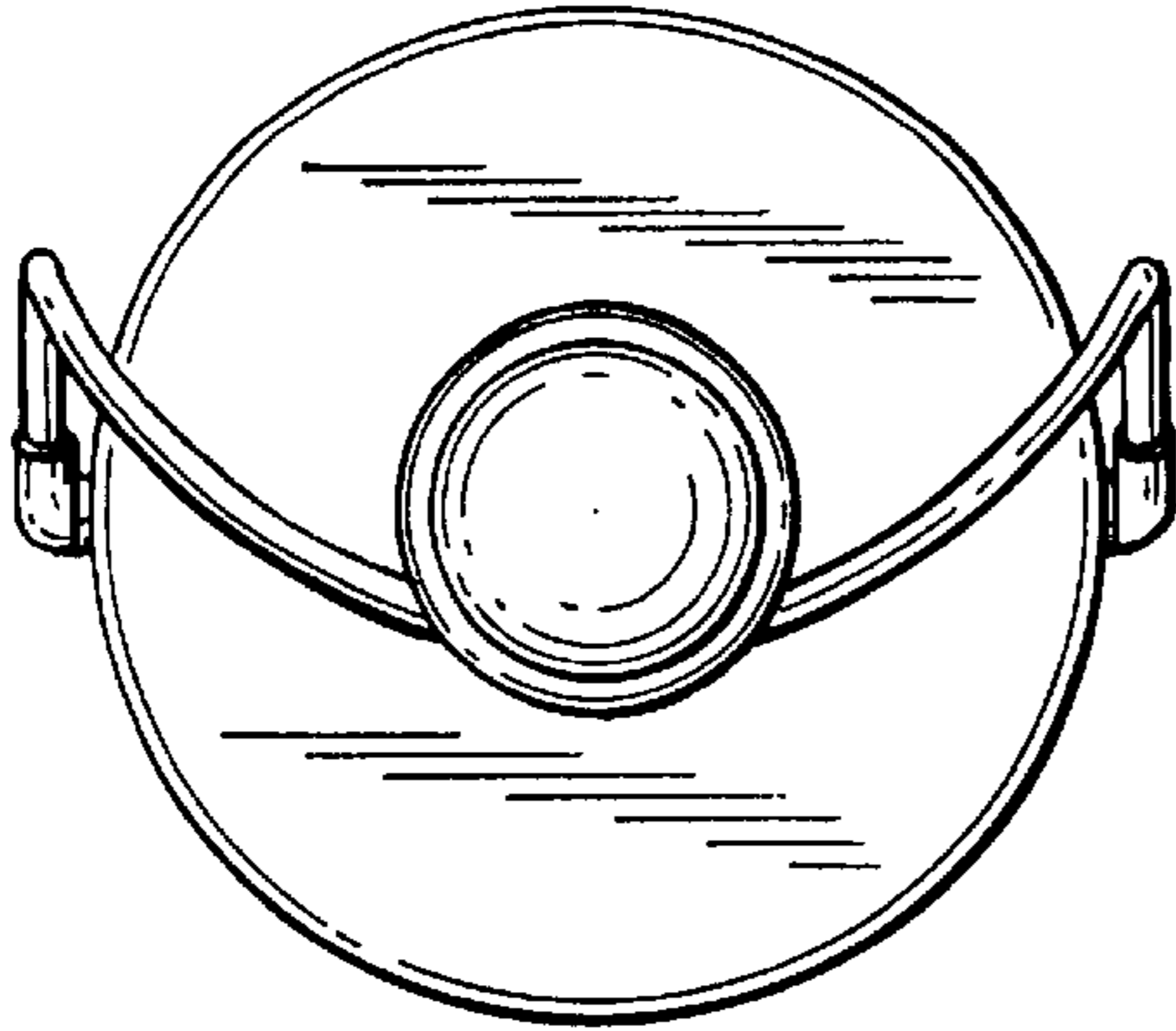


FIG. 4

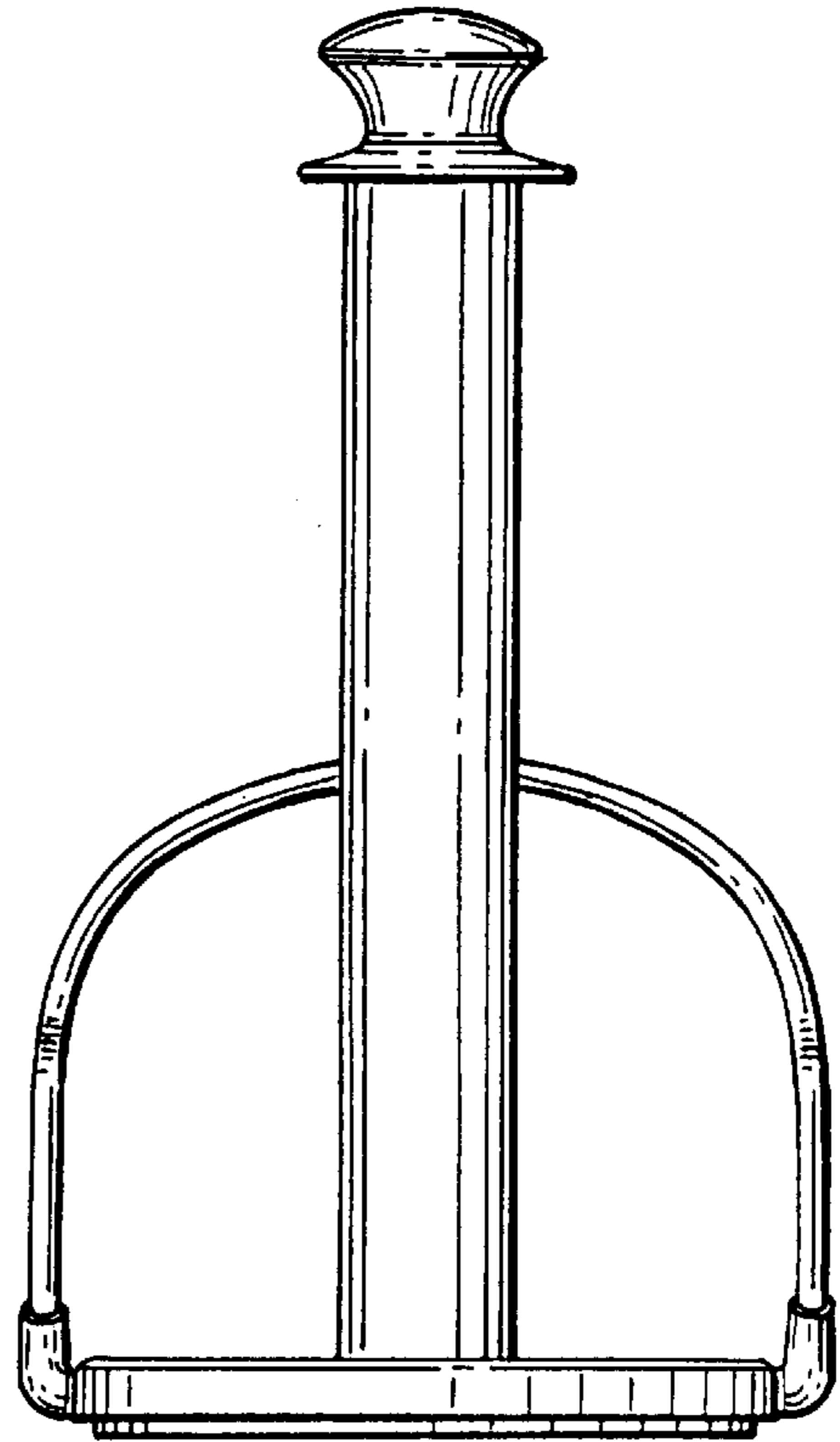


FIG. 5

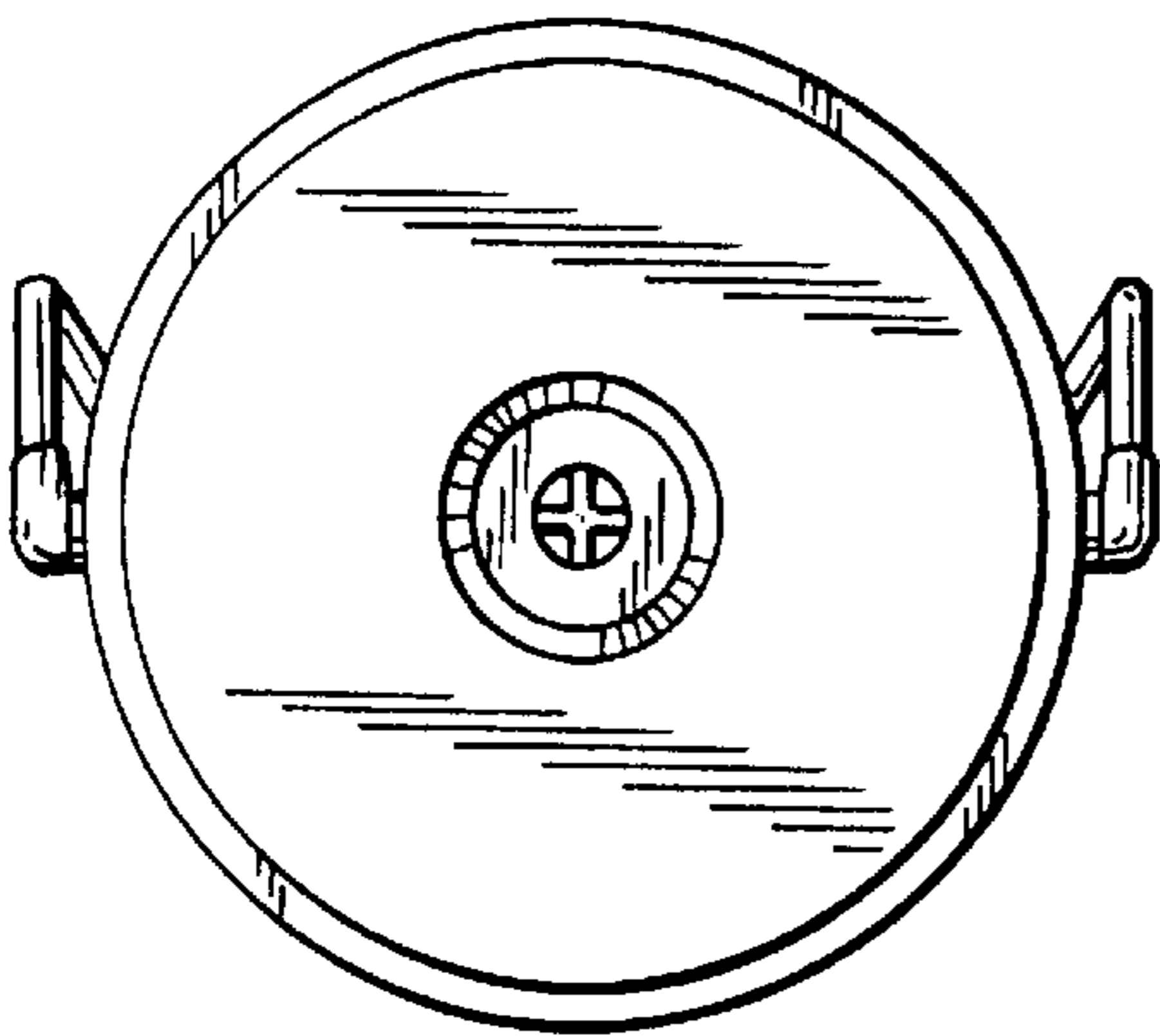


FIG. 6