



US00D479068S

(12) **United States Design Patent**  
**Gilbert et al.**

(10) **Patent No.:** **US D479,068 S**

(45) **Date of Patent:** **\*\* Sep. 2, 2003**

(54) **TRANSFER BENCH SEAT BACK**  
(75) Inventors: **Christopher Jon Gilbert**, Moreland Hills, OH (US); **Jill M. Hunt**, Harvard, IL (US)

(73) Assignee: **Moen Incorporated**, North Olmsted, OH (US)

(\*\*) Term: **14 Years**

(21) Appl. No.: **29/172,337**

(22) Filed: **Dec. 10, 2002**

(51) **LOC (7) Cl.** ..... **06-06**

(52) **U.S. Cl.** ..... **D6/502**

(58) **Field of Search** ..... D6/334, 335, 336, D6/349, 368, 374, 377, 380, 500-502; D23/303, 304; 297/24, 183.1, 183.7, 338, 445.1, 446.1, 452.18, 452.19, 452.29, 451.11, 452.36, 452.38

(56) **References Cited**

**U.S. PATENT DOCUMENTS**

D224,384 S	7/1972	Brewer et al.	
D249,217 S	* 9/1978	Pierce	D6/502
4,472,844 A	9/1984	Mace	
4,475,256 A	10/1984	Hatala	
4,941,218 A	7/1990	McCartney	
D347,526 S	6/1994	Hamilton	
D350,238 S	9/1994	Ward	
D355,985 S	* 3/1995	Karten et al.	D6/374
D366,104 S	1/1996	Breen et al.	
5,536,068 A	* 7/1996	Valentor et al.	297/183.1
D375,638 S	11/1996	Dhanapal et al.	
D390,024 S	2/1998	DeJule	
5,740,563 A	* 4/1998	Gaddy	4/579
5,755,489 A	* 5/1998	Rossmann et al.	297/338

5,784,728 A	7/1998	Weddendorf et al.	
D401,453 S	* 11/1998	Holt	D6/502
5,887,297 A	* 3/1999	Sutor	4/578.1
5,903,935 A	* 5/1999	Huelke	4/578.1
D411,923 S	* 7/1999	Reese	D6/374
5,940,905 A	8/1999	Cheng	
6,039,403 A	3/2000	Hargroder	
6,105,183 A	* 8/2000	Bly	4/579
6,122,776 A	* 9/2000	Cheng	4/578.1
6,182,304 B1	2/2001	Freeberg	
D439,429 S	3/2001	Higgs et al.	
6,334,225 B1	* 1/2002	Brinkmann	4/560.1
6,340,205 B1	* 1/2002	Battiston	297/24
6,467,102 B1	10/2002	Peterson et al.	

\* cited by examiner

*Primary Examiner*—Doris V. Coles  
*Assistant Examiner*—Mimosa De  
(74) *Attorney, Agent, or Firm*—Cook, Alex, McFarron, Manzo, Cummings & Mehler, Ltd.

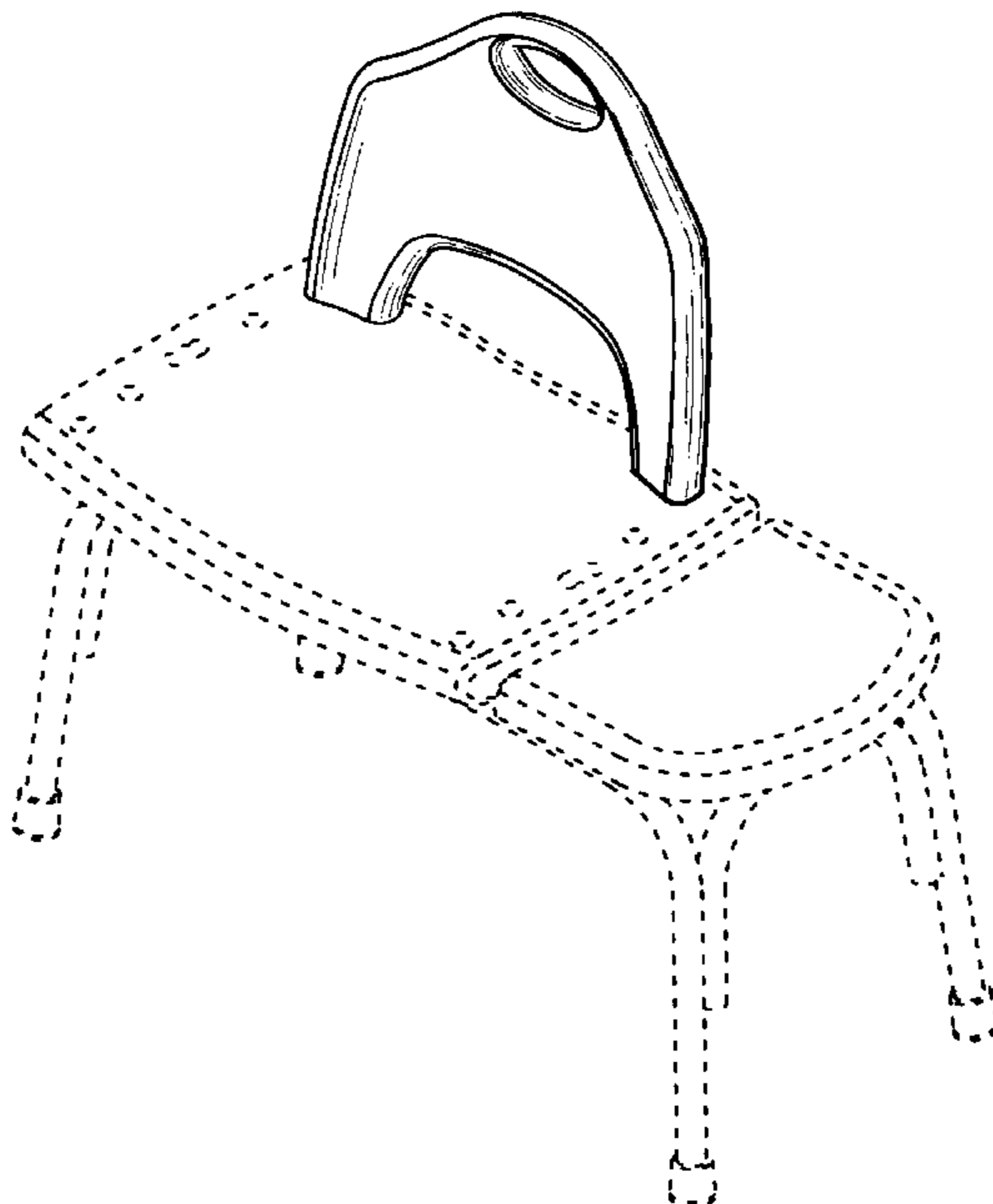
(57) **CLAIM**

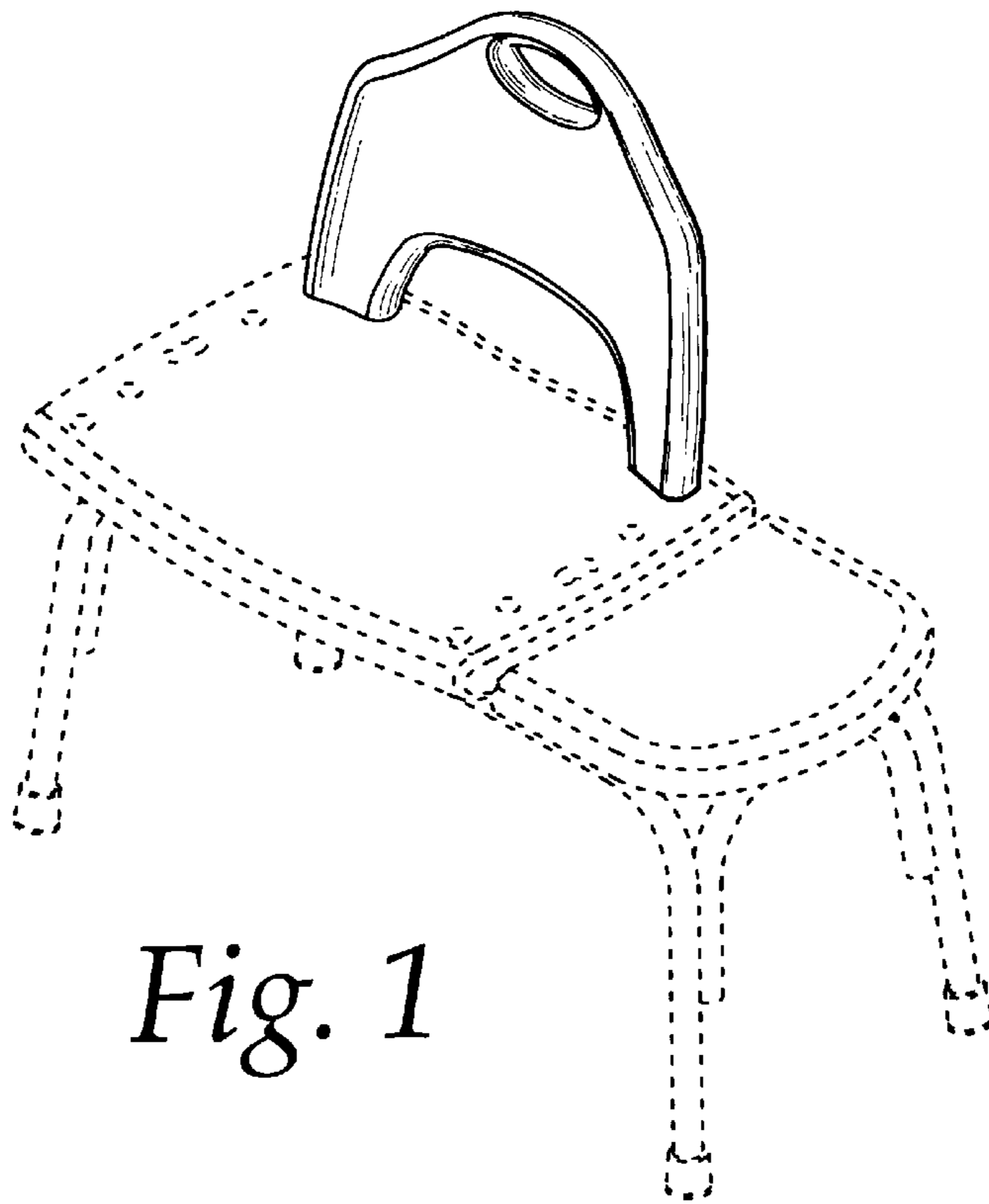
The ornamental design for a transfer bench seat back, as shown and described.

**DESCRIPTION**

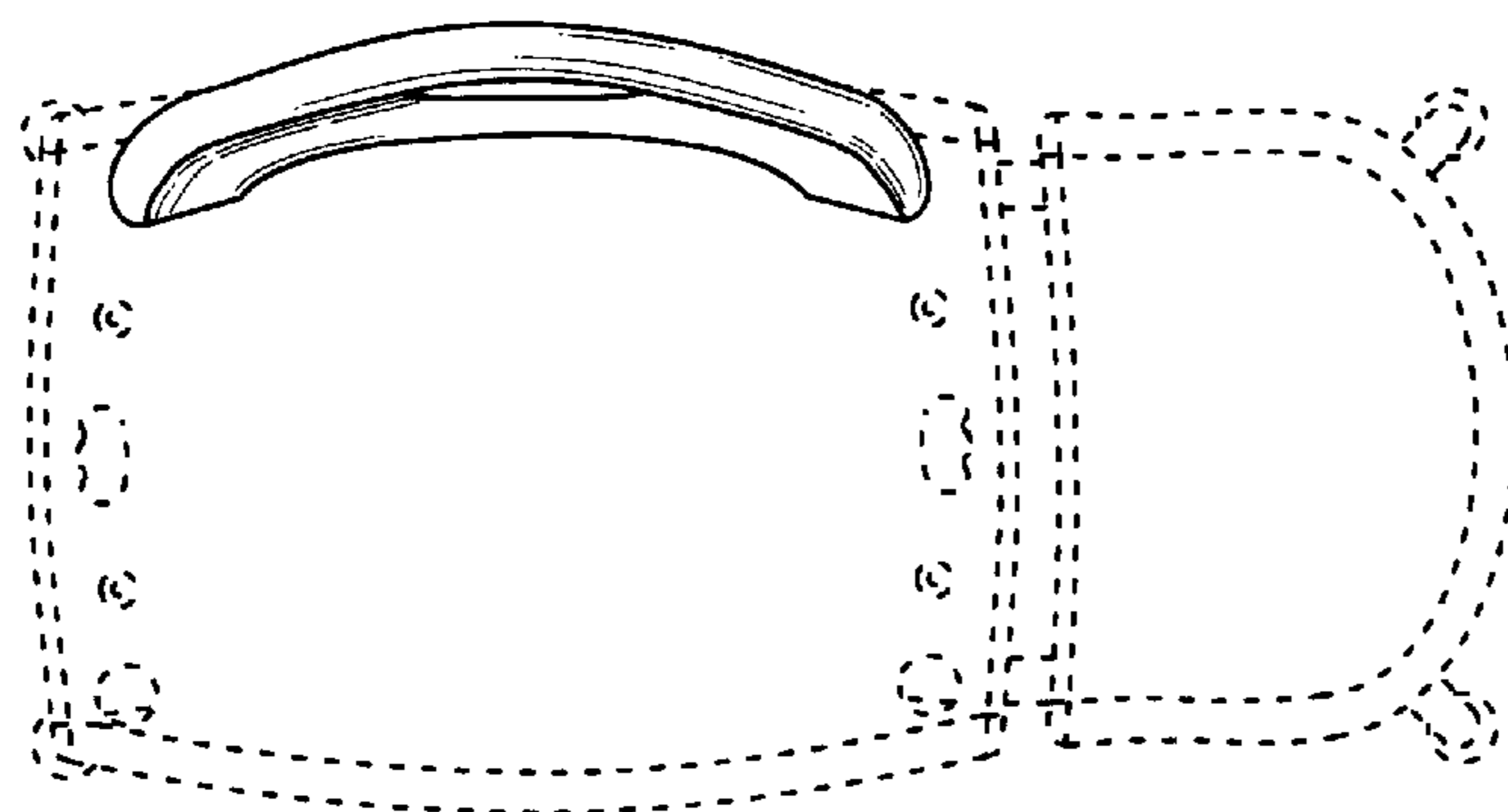
FIG. 1 is a perspective view of our new design for a transfer bench seat back.  
FIG. 2 is a top plan view.  
FIG. 3 is a bottom plan view.  
FIG. 4 is a right side elevation view.  
FIG. 5 is a rear elevation view.  
FIG. 6 is a left side elevation view; and,  
FIG. 7 is a front elevation view.  
The broken lines shown in the drawing are for illustrative purposes only and form no part of the claimed design.

**1 Claim, 2 Drawing Sheets**

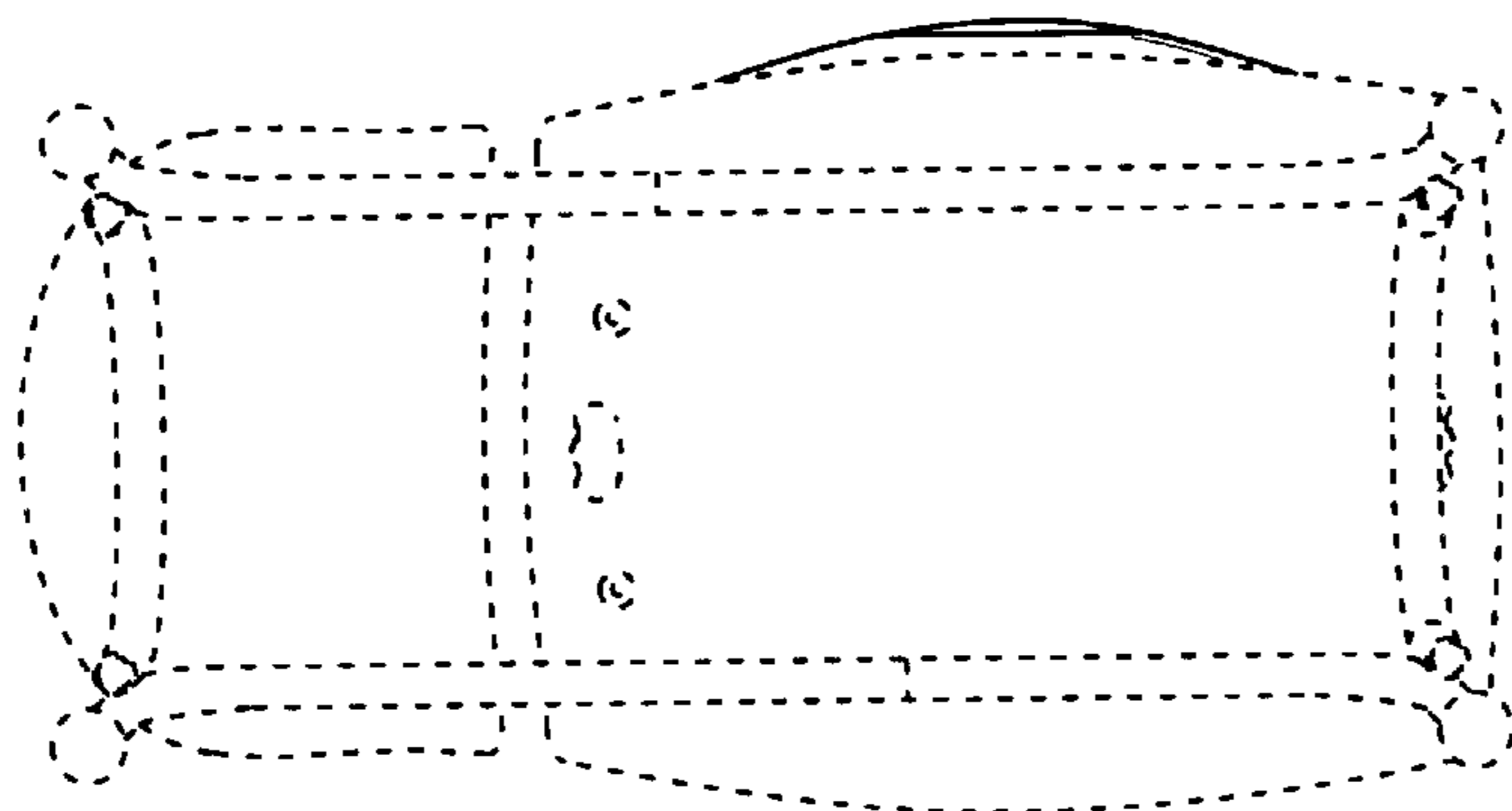




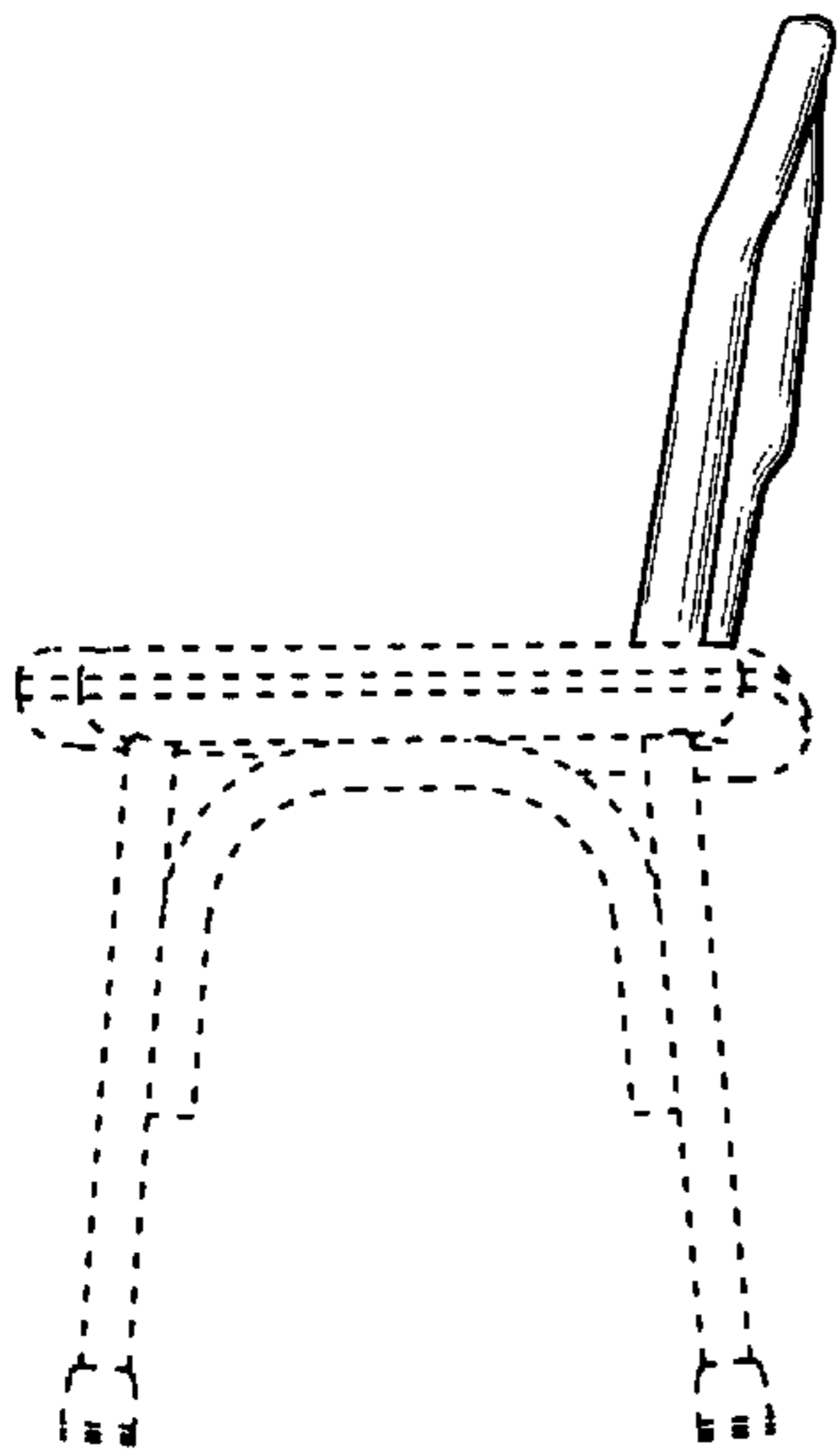
*Fig. 1*



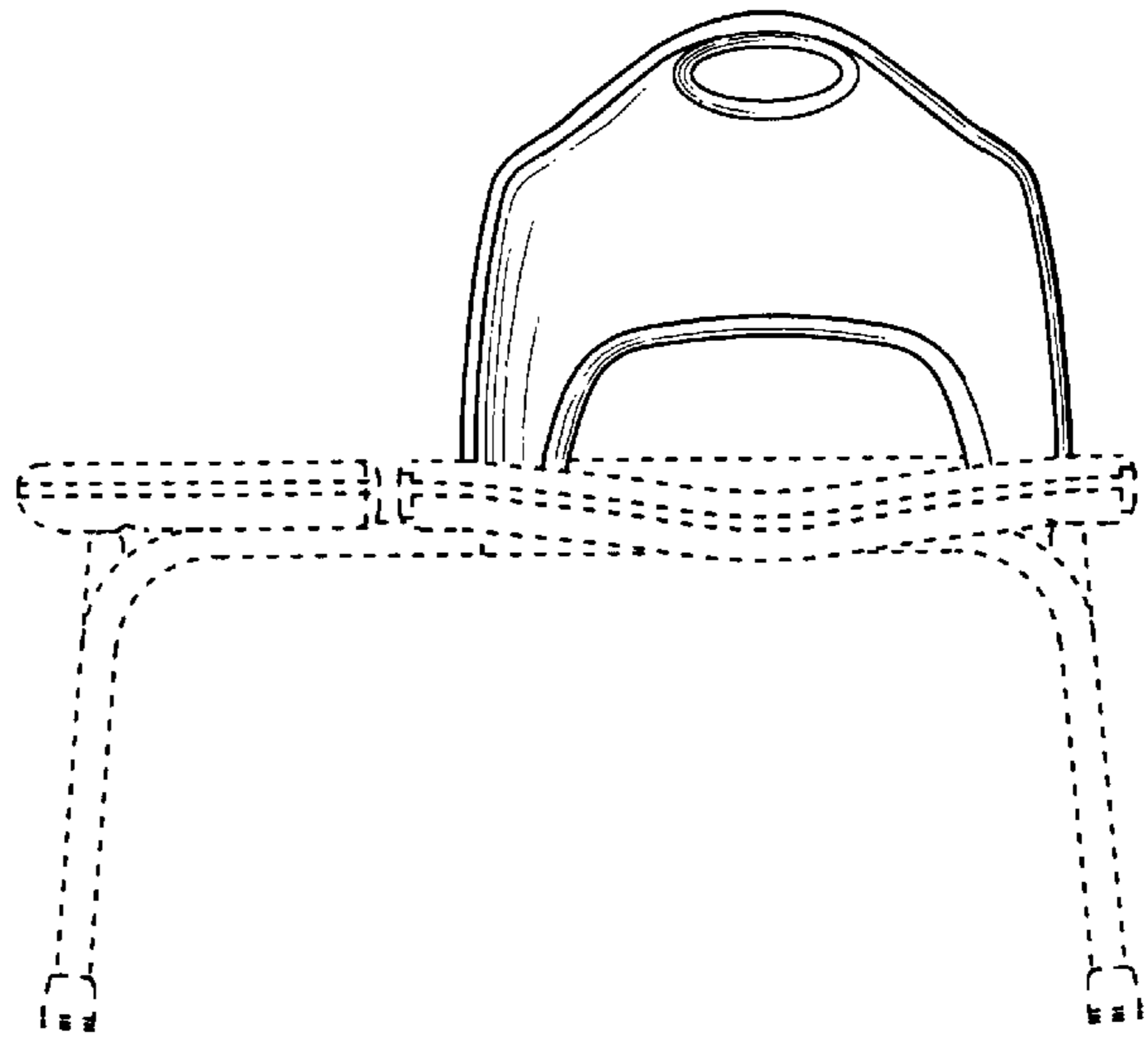
*Fig. 2*



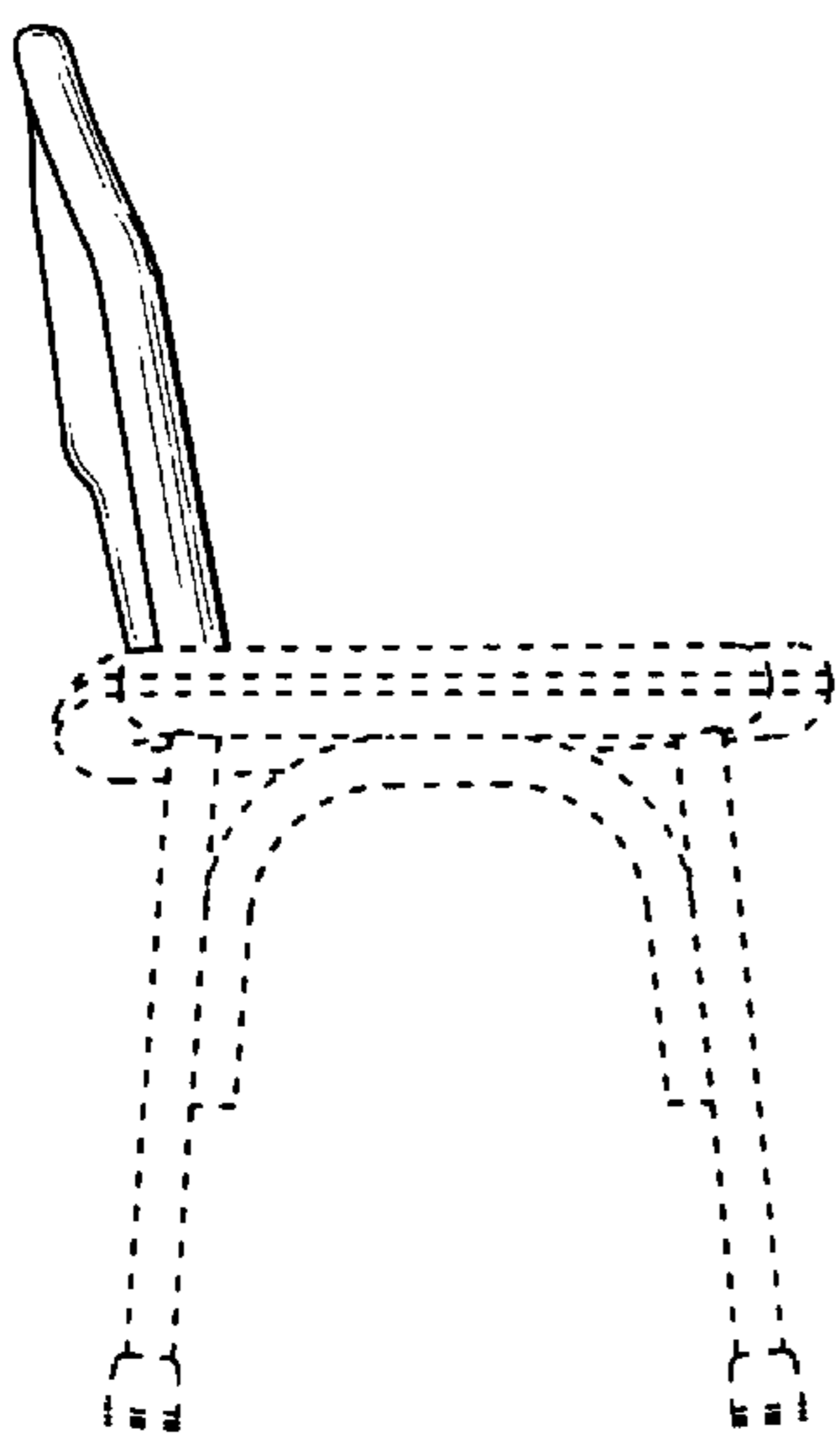
*Fig. 3*



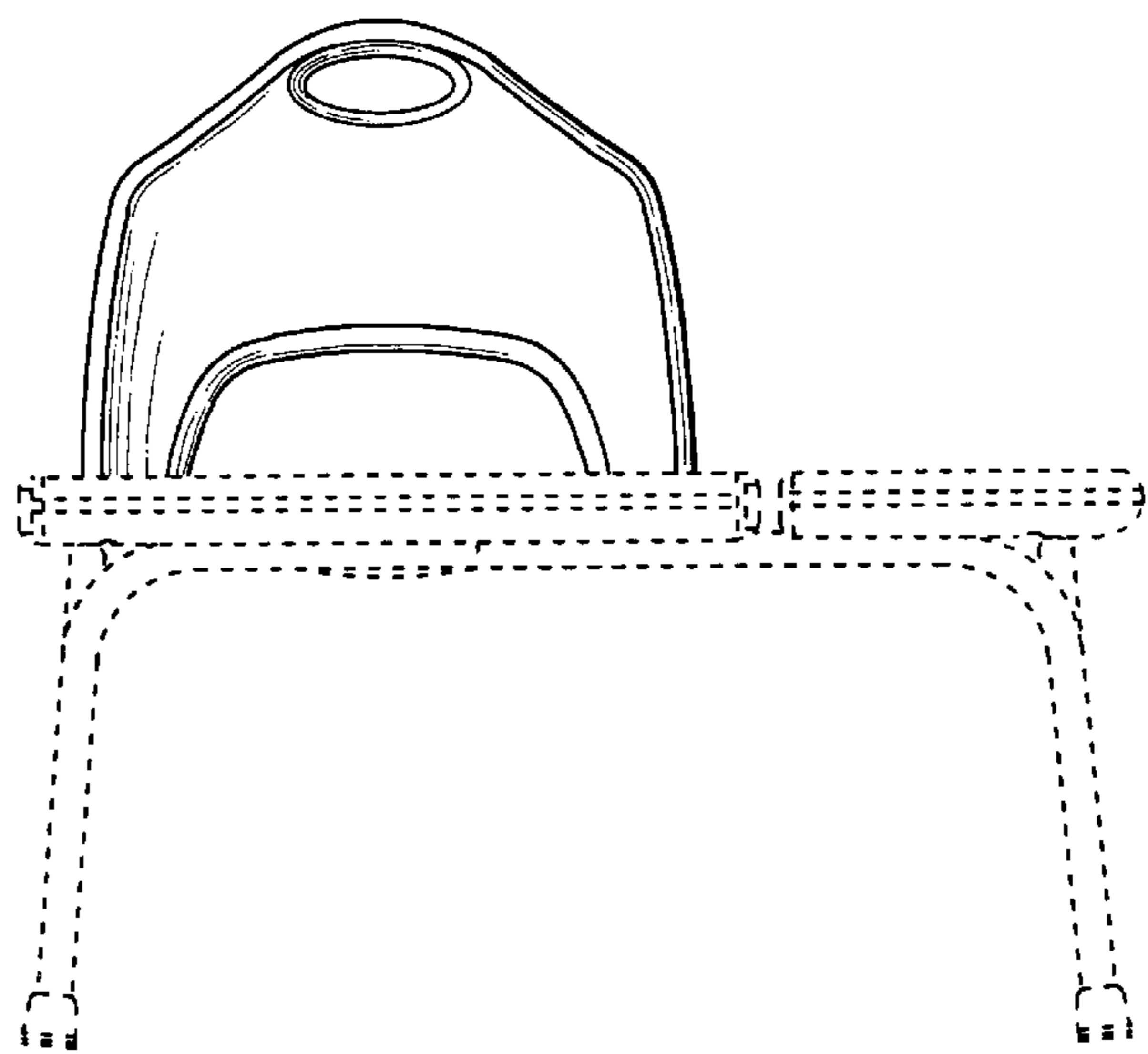
*Fig. 4*



*Fig. 5*



*Fig. 6*



*Fig. 7*