



US00D479067S

(12) **United States Design Patent**
Gilbert et al.

(10) **Patent No.: US D479,067 S**

(45) **Date of Patent: ** Sep. 2, 2003**

(54) **TRANSFER BENCH SEAT**

(75) **Inventors: Christopher Jon Gilbert**, Moreland Hills, OH (US); **Jill M. Hunt**, Harvard, IL (US)

(73) **Assignee: Moen Incorporated**, North Olmsted, OH (US)

(**) **Term: 14 Years**

(21) **Appl. No.: 29/172,284**

(22) **Filed: Dec. 10, 2002**

(51) **LOC (7) Cl. 06-06**

(52) **U.S. Cl. D6/502; D6/374**

(58) **Field of Search** D6/334, 335, 336, D6/349, 368, 374, 377, 380, 500-502, 524-525, 527; D23/303, 304; 297/24, 183.1, 183.7, 338, 445.1, 446.1, 451.11, 452.18, 452.19, 452.21, 452.36, 452.38

(56) **References Cited**

U.S. PATENT DOCUMENTS

390,407 A	*	10/1888	Sloat	4/579
736,032 A	*	8/1903	Silver	4/579
1,740,444 A	*	12/1929	Downham et al.	4/579
2,237,076 A	*	4/1941	Kenney	4/579
2,588,562 A	*	3/1952	Parish	4/579
D221,543 S	*	8/1971	Lassen	D6/524
D224,384 S		7/1972	Brewer et al.	
4,253,203 A	*	3/1981	Thomas	4/559
4,391,006 A	*	7/1983	Smith	4/559
4,472,844 A		9/1984	Mace	
4,475,256 A		10/1984	Hatala	
4,939,799 A	*	7/1990	Van Hovel	4/578.1
4,941,218 A		7/1990	McCartney	
D330,985 S	*	11/1992	White	D6/525
D347,526 S		6/1994	Hamilton	
D350,238 S		9/1994	Ward	

D355,985 S	*	3/1995	Karten et al.	D6/374
D366,104 S		1/1996	Breen et al.	
5,536,068 A	*	7/1996	Valentor et al.	297/183.1
D375,638 S		11/1996	Dhanapal et al.	
D390,024 S		2/1998	DeJule	
5,740,563 A	*	4/1998	Gaddy	4/579
5,784,728 A		7/1998	Weddendorf et al.	
5,887,297 A	*	3/1999	Sutor	4/578.1
5,903,935 A	*	5/1999	Huelke	4/560.1
5,940,905 A		8/1999	Cheng	
6,039,403 A		3/2000	Hargroder	
6,122,776 A	*	9/2000	Cheng	4/578.1
6,182,304 B1		2/2001	Freeberg	
D439,429 S		3/2001	Higgs et al.	
6,334,225 B1	*	1/2002	Brinkmann	4/560.1
6,340,205 B1	*	1/2002	Battiston	297/24
6,467,102 B1		10/2002	Peterson et al.	

* cited by examiner

Primary Examiner—Doris V. Coles

Assistant Examiner—Mimosa De

(74) *Attorney, Agent, or Firm*—Cook, Alex, McFarron, Manzo, Cummings & Mehler, Ltd.

(57) **CLAIM**

The ornamental design for a transfer bench seat, as shown and described.

DESCRIPTION

FIG. 1 is a perspective view of our new design for a transfer bench seat.

FIG. 2 is a top plan view.

FIG. 3 is a bottom plan view.

FIG. 4 is a right side elevation view.

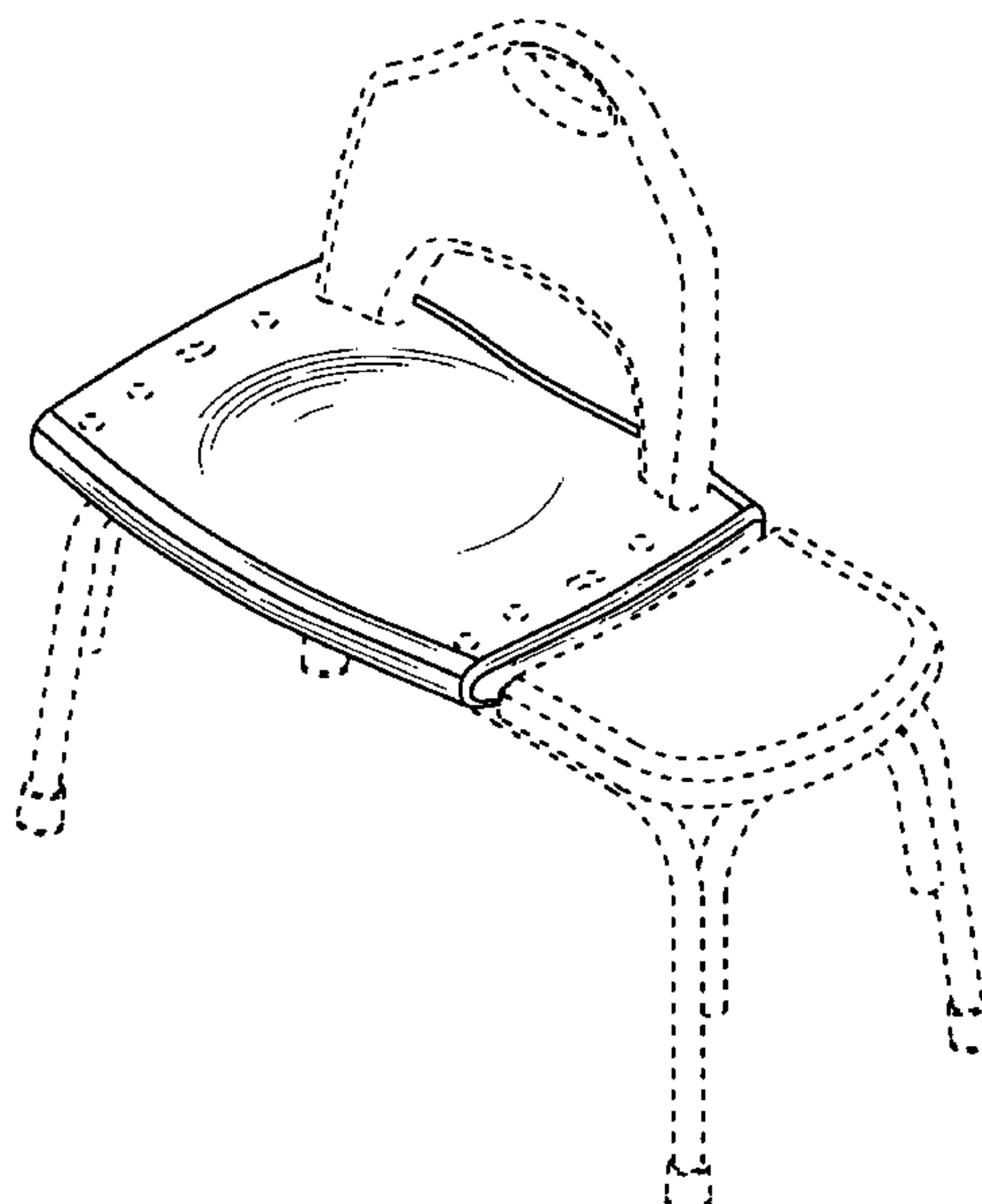
FIG. 5 is a rear elevation view.

FIG. 6 is a left side elevation view; and,

FIG. 7 is a front elevation view.

The broken lines shown in the drawing are for illustrative purposes only and form no part of the claimed design.

1 Claim, 2 Drawing Sheets



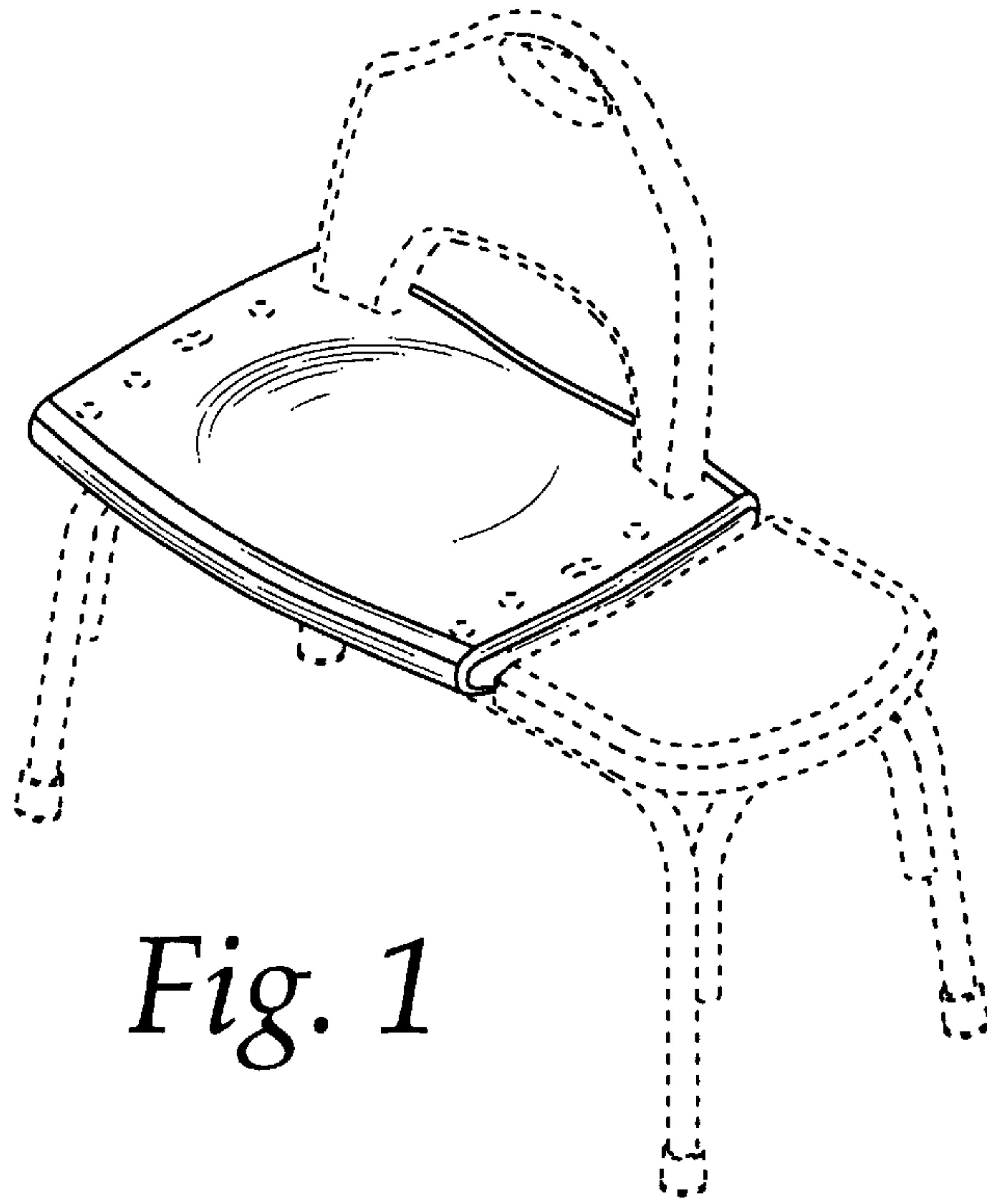


Fig. 1

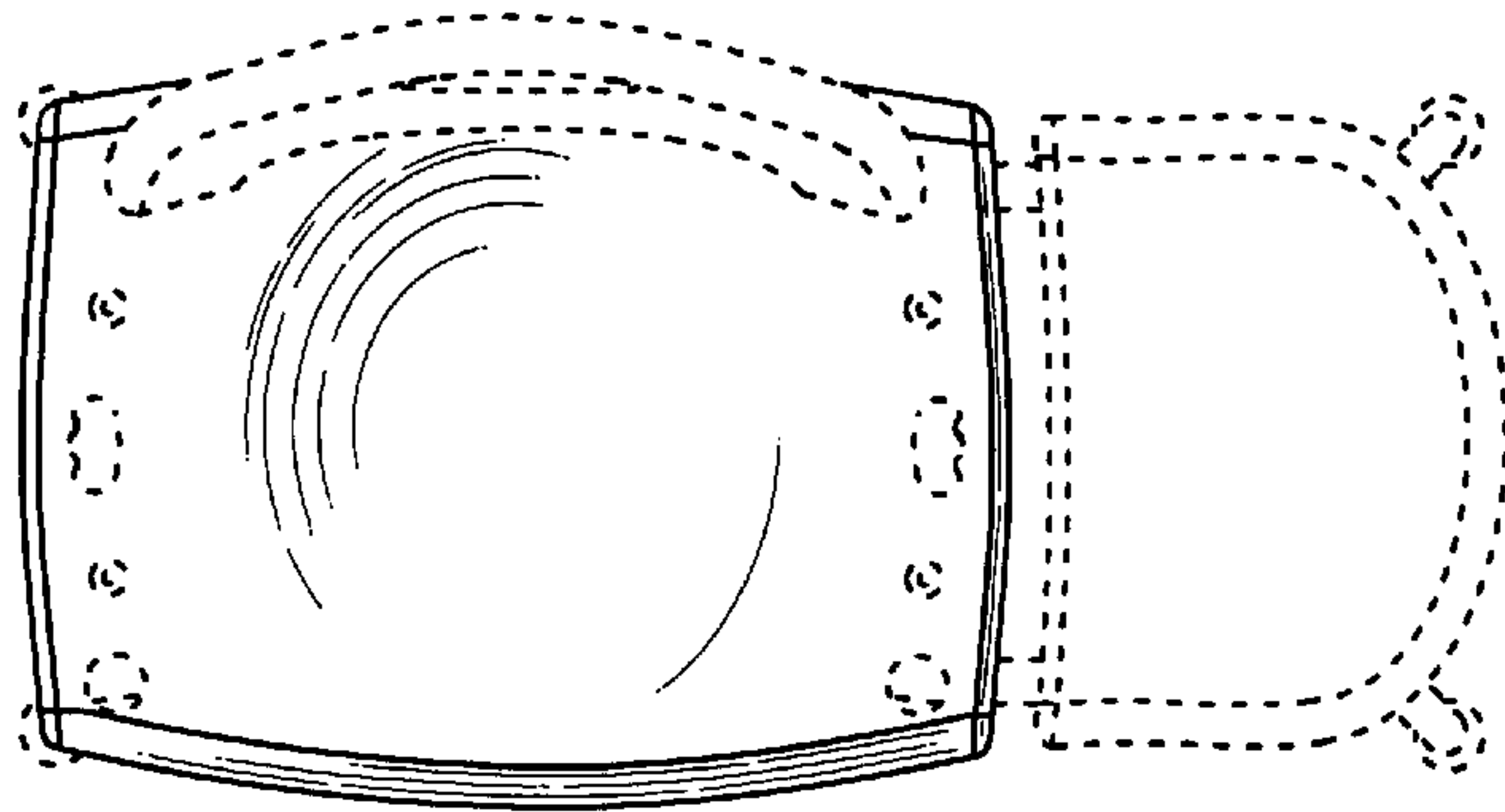


Fig. 2

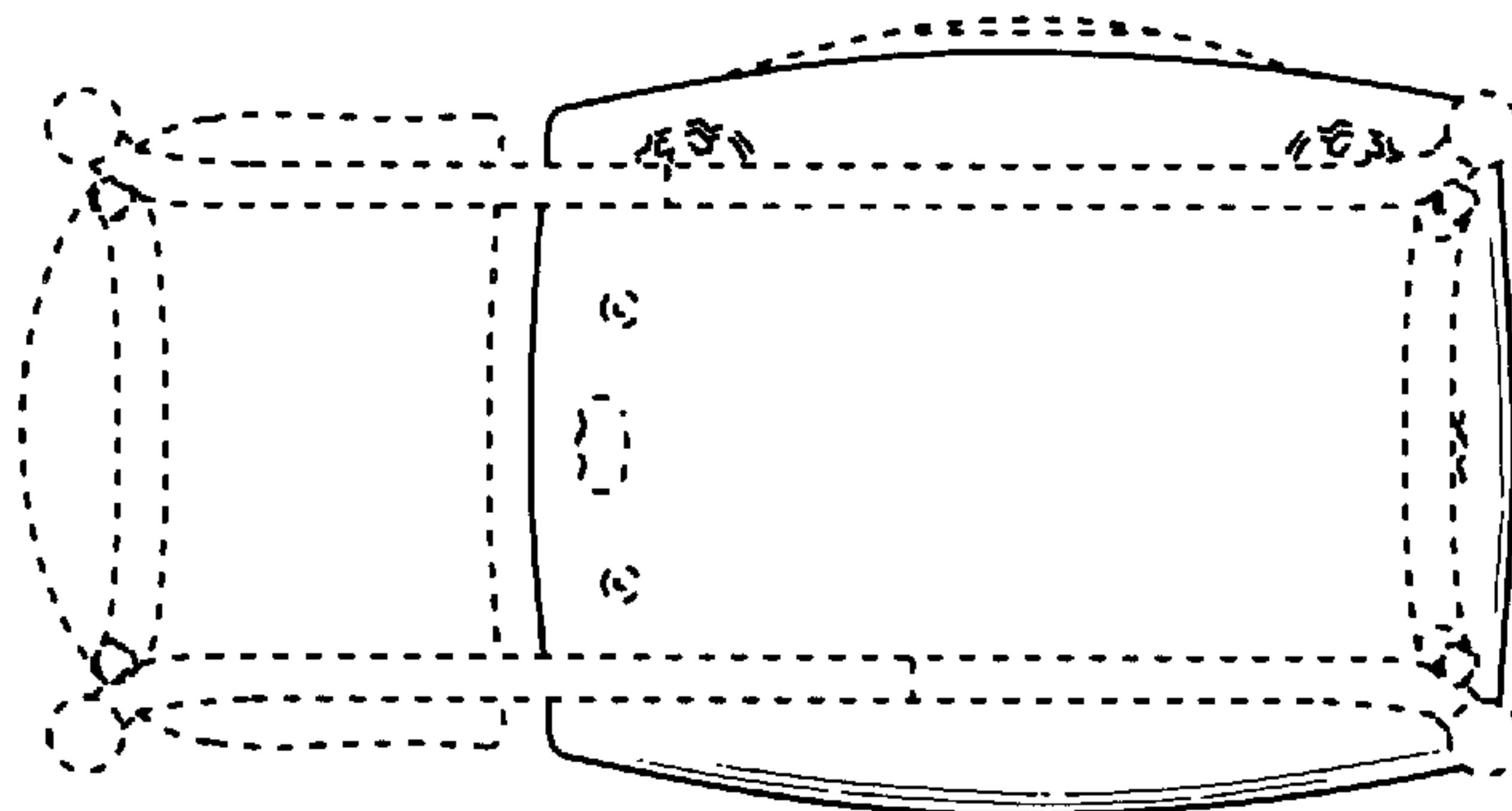


Fig. 3

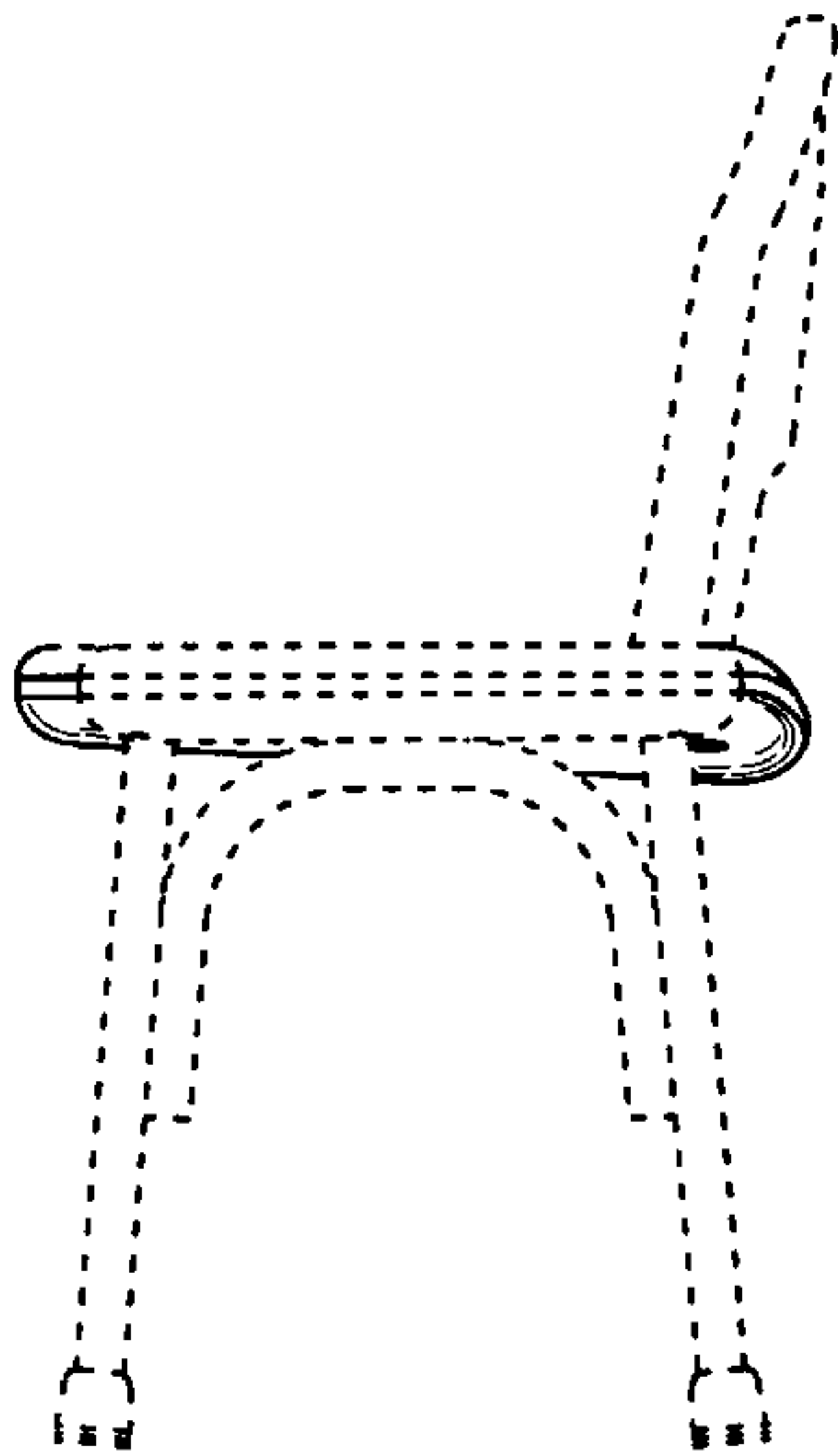


Fig. 4

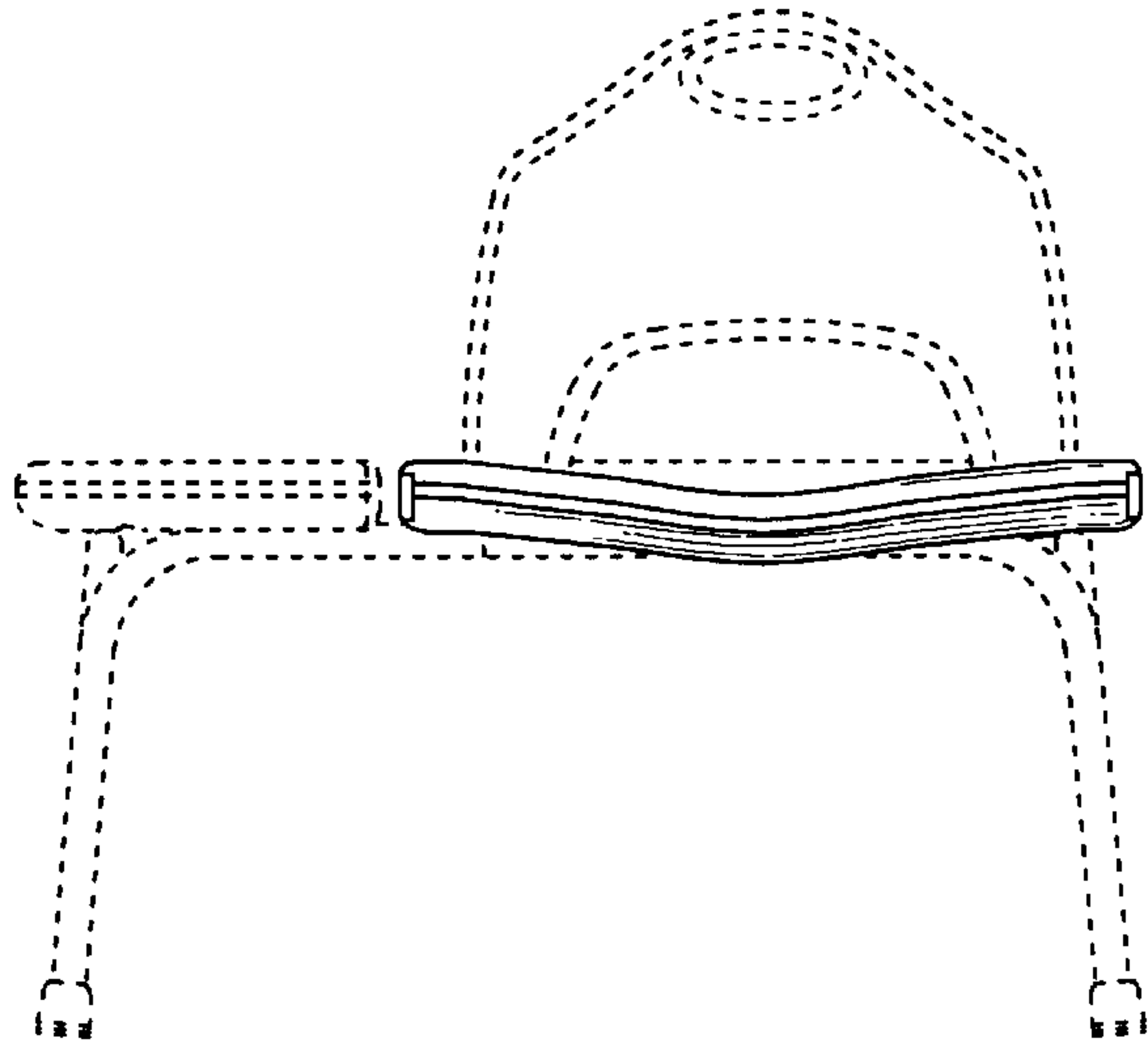


Fig. 5

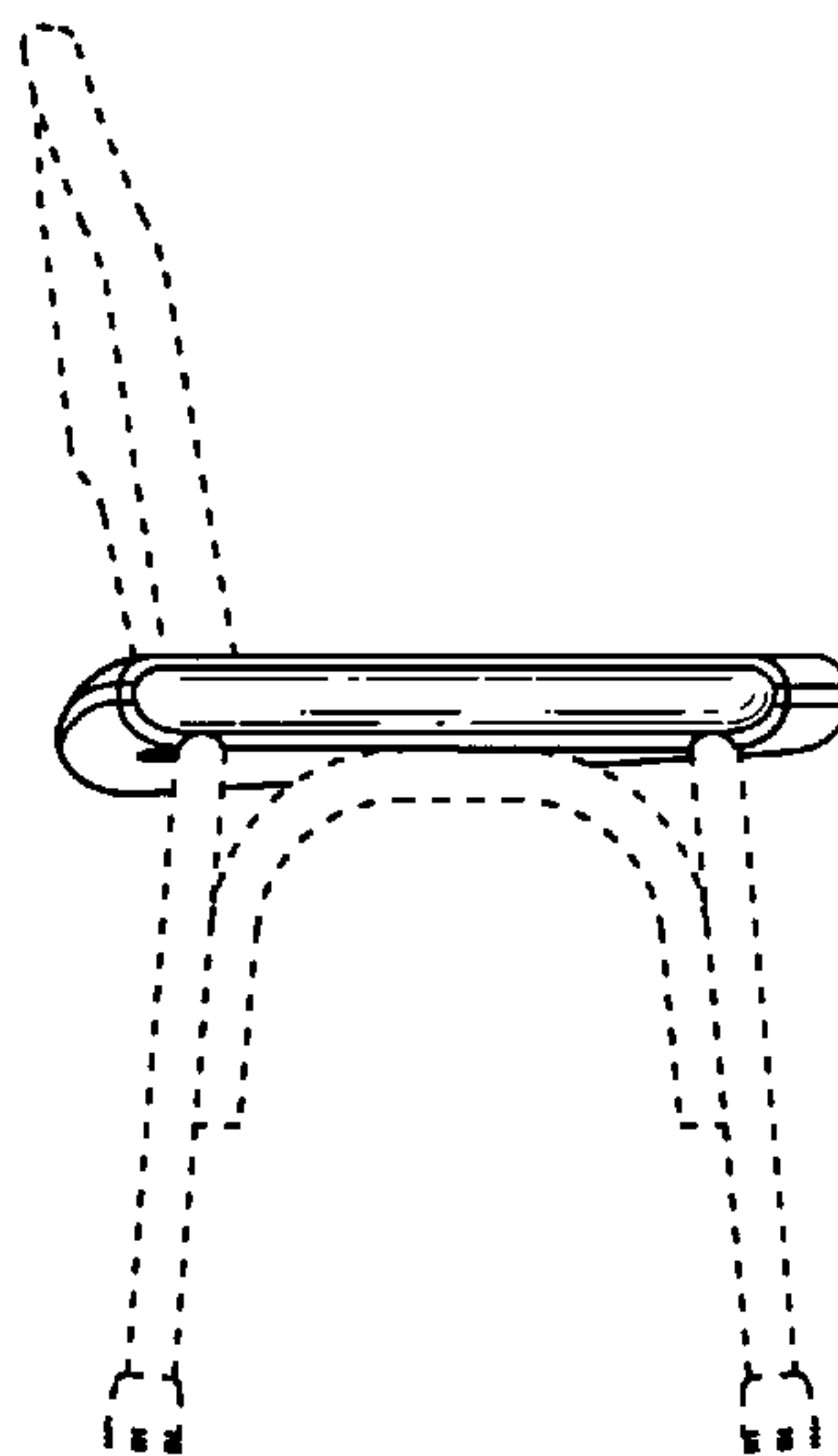


Fig. 6

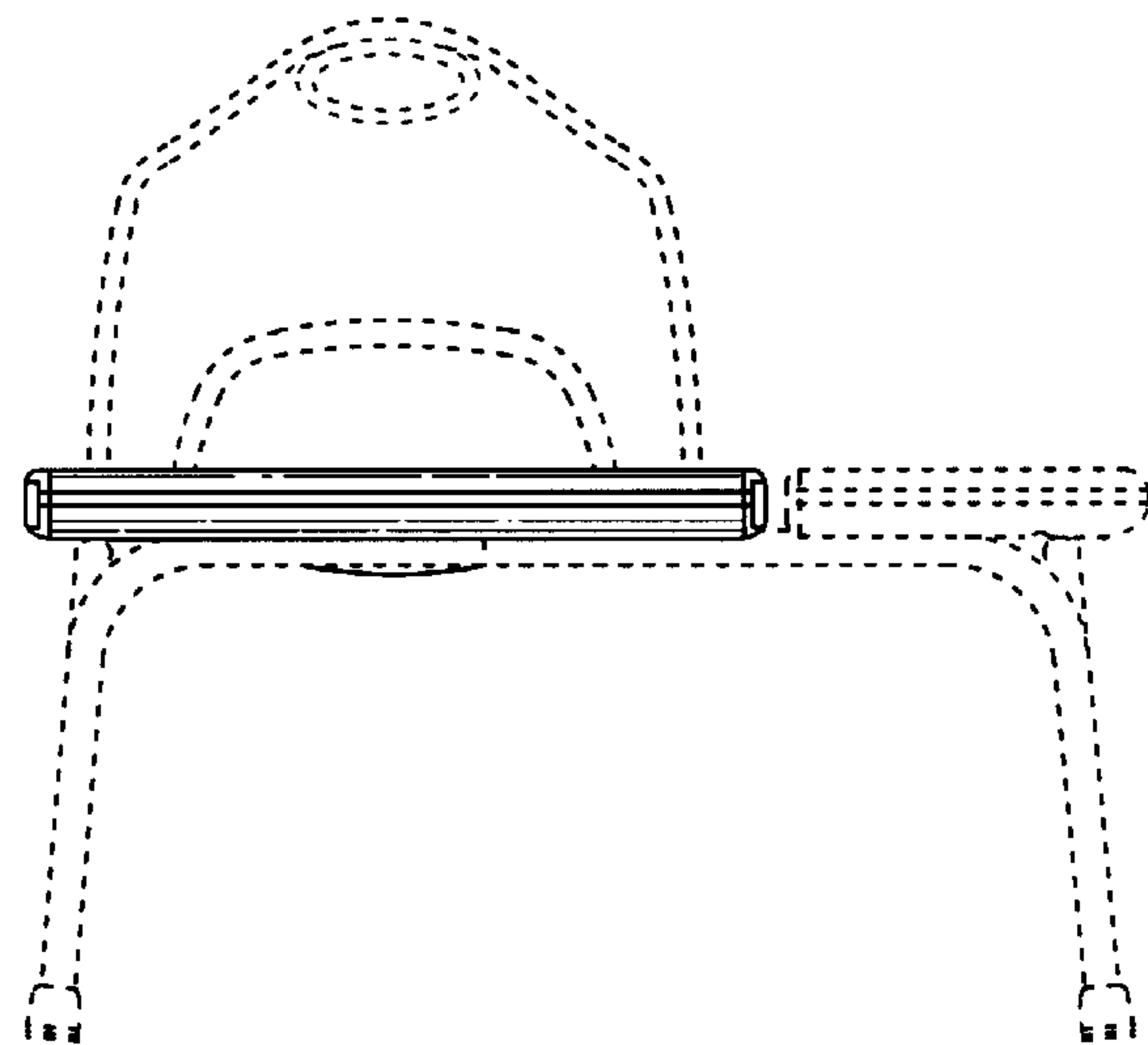


Fig. 7