



US00D479066S

(12) **United States Design Patent**  
**Klaesener et al.**

(10) **Patent No.:** **US D479,066 S**

(45) **Date of Patent:** **\*\* Sep. 2, 2003**

(54) **MECHANISM FOR A CHAIR**

(75) Inventors: **Michael Klaesener**, Waldshut (DE);  
**Mathias Seiler**, Loerrach (DE)

(73) Assignee: **Sedus Stoll AG**, Waldshut (DE)

(\*\*) Term: **14 Years**

(21) Appl. No.: **29/174,488**

(22) Filed: **Jan. 21, 2003**

**Related U.S. Application Data**

(62) Division of application No. 29/140,237, filed on Apr. 16, 2001, now Pat. No. Des. 473,737.

(51) **LOC (7) Cl.** ..... **06-06**

(52) **U.S. Cl.** ..... **D6/500**

(58) **Field of Search** ..... D6/334, 364, 365,  
D6/366, 367, 500, 501, 502; 248/161, 578;  
297/344.12, 344.16, 463.1

(56) **References Cited**

**U.S. PATENT DOCUMENTS**

622,073 A \* 3/1899 Quinlan ..... 248/578

D212,689 S	*	11/1968	Doerner	.....	D6/500
D285,633 S		9/1986	Doerner	.....	D6/500
D289,119 S		4/1987	Opsvik	.....	D6/500
D289,591 S		5/1987	Groseth	.....	D6/500
D364,044 S		11/1995	Proetto et al.	.....	D6/366
D433,834 S		11/2000	Neil	.....	D6/366
D446,955 S		8/2001	Zemp	.....	D6/366
D473,737 S	*	4/2003	Klaesener et al.	.....	D6/500

\* cited by examiner

*Primary Examiner*—Gary D. Watson

(74) *Attorney, Agent, or Firm*—Oblon, Spivak, McClelland, Maier & Neustadt, P.C.

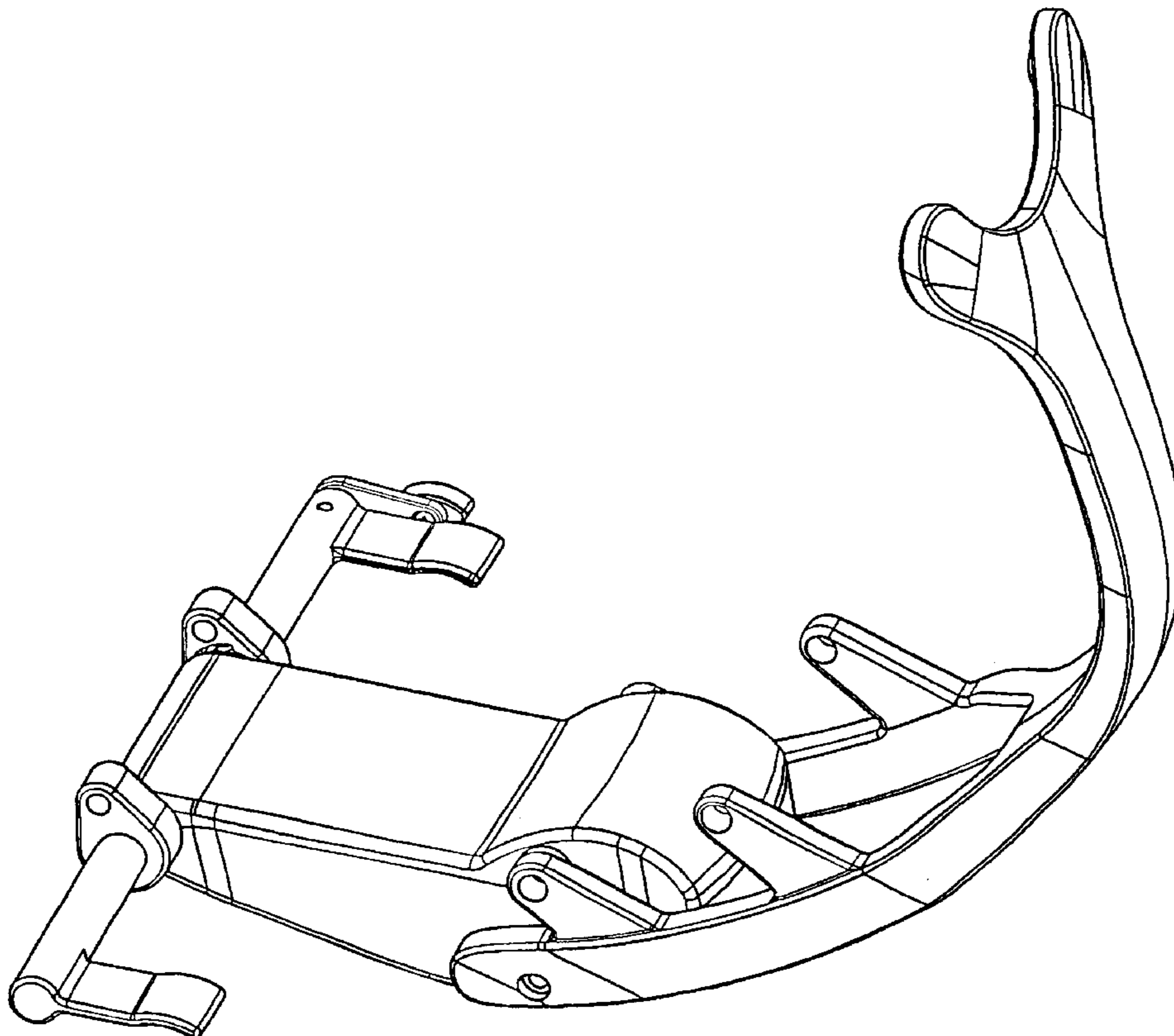
(57) **CLAIM**

The ornamental design for mechanism for a chair, as shown.

**DESCRIPTION**

FIG. 1 is a top, front and left side perspective view of mechanism for a chair showing our design; FIG. 2 is a right side elevational view thereof; FIG. 3 is a left side elevational view thereof; FIG. 4 is a top plan view thereof; and, FIG. 5 is a front elevational view thereof.

**1 Claim, 5 Drawing Sheets**



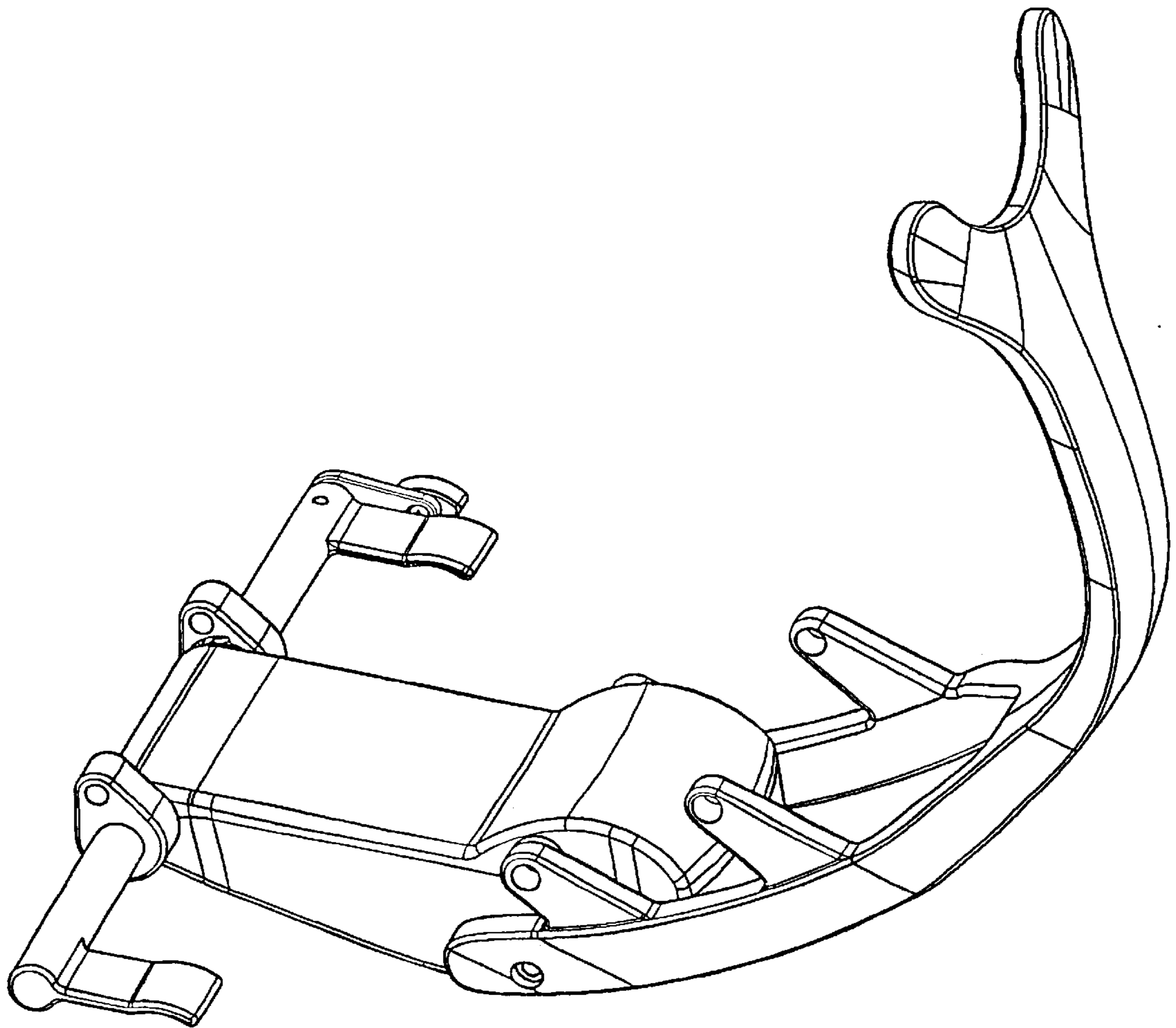


Fig. 1

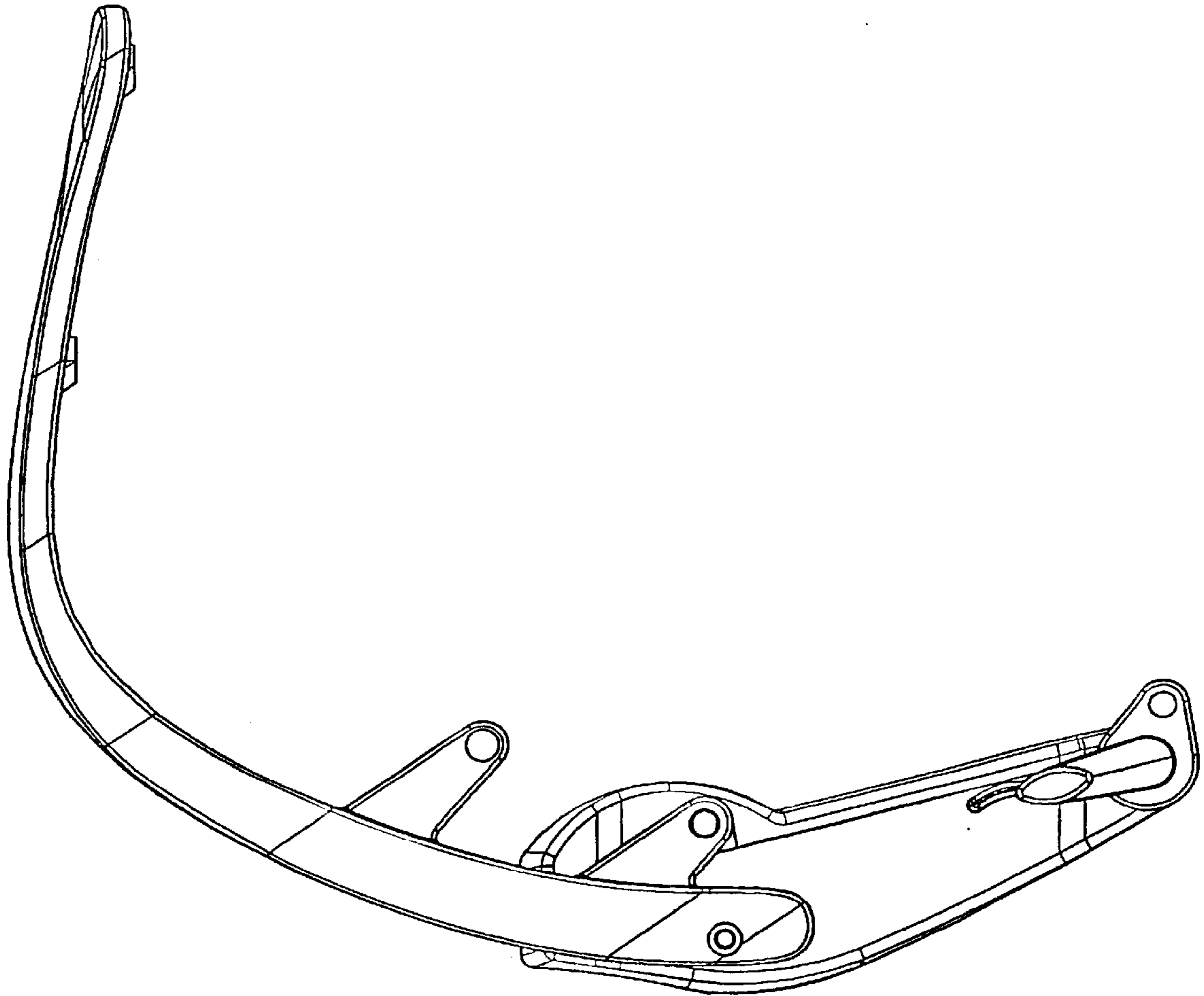


Fig. 2

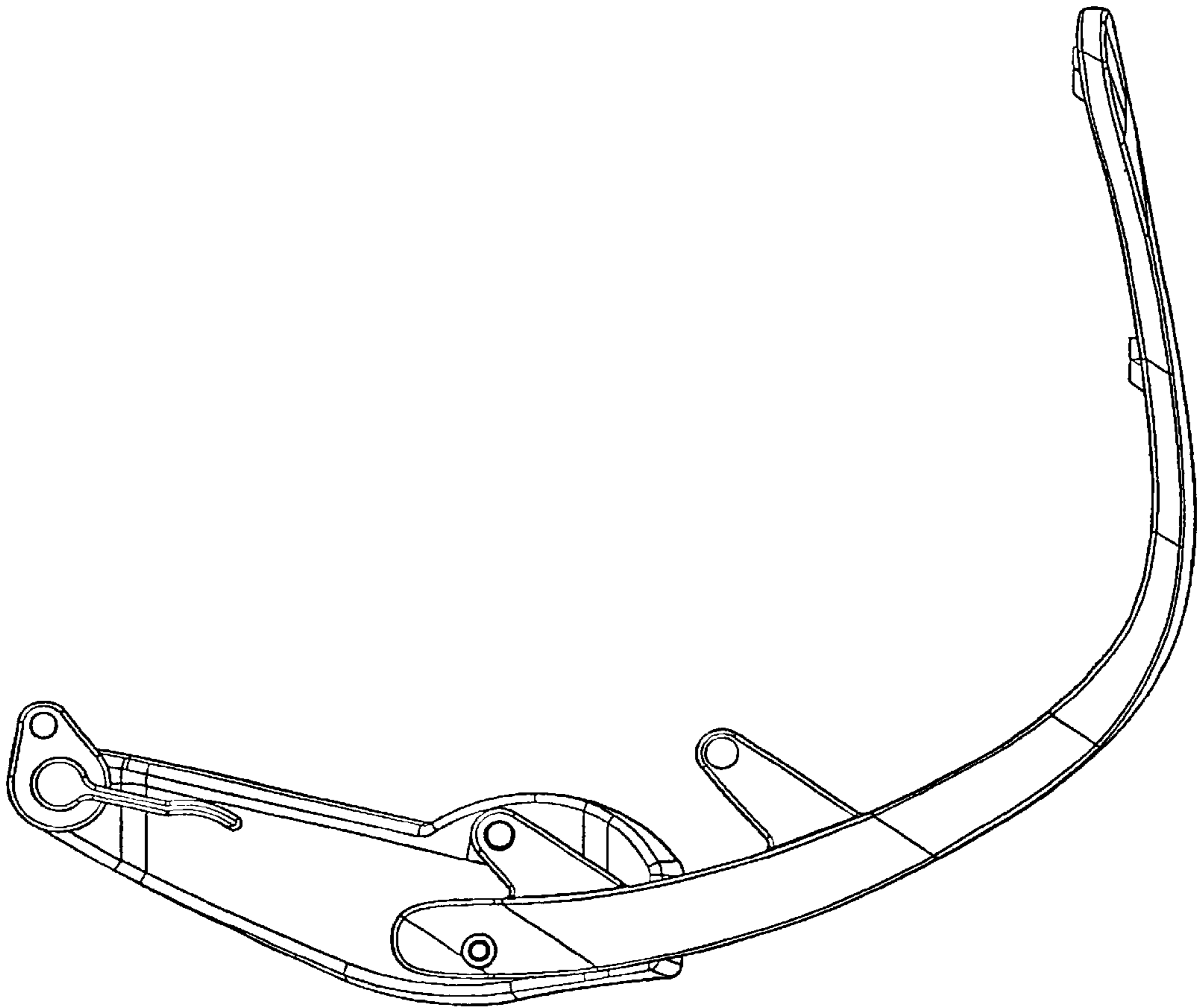


Fig. 3

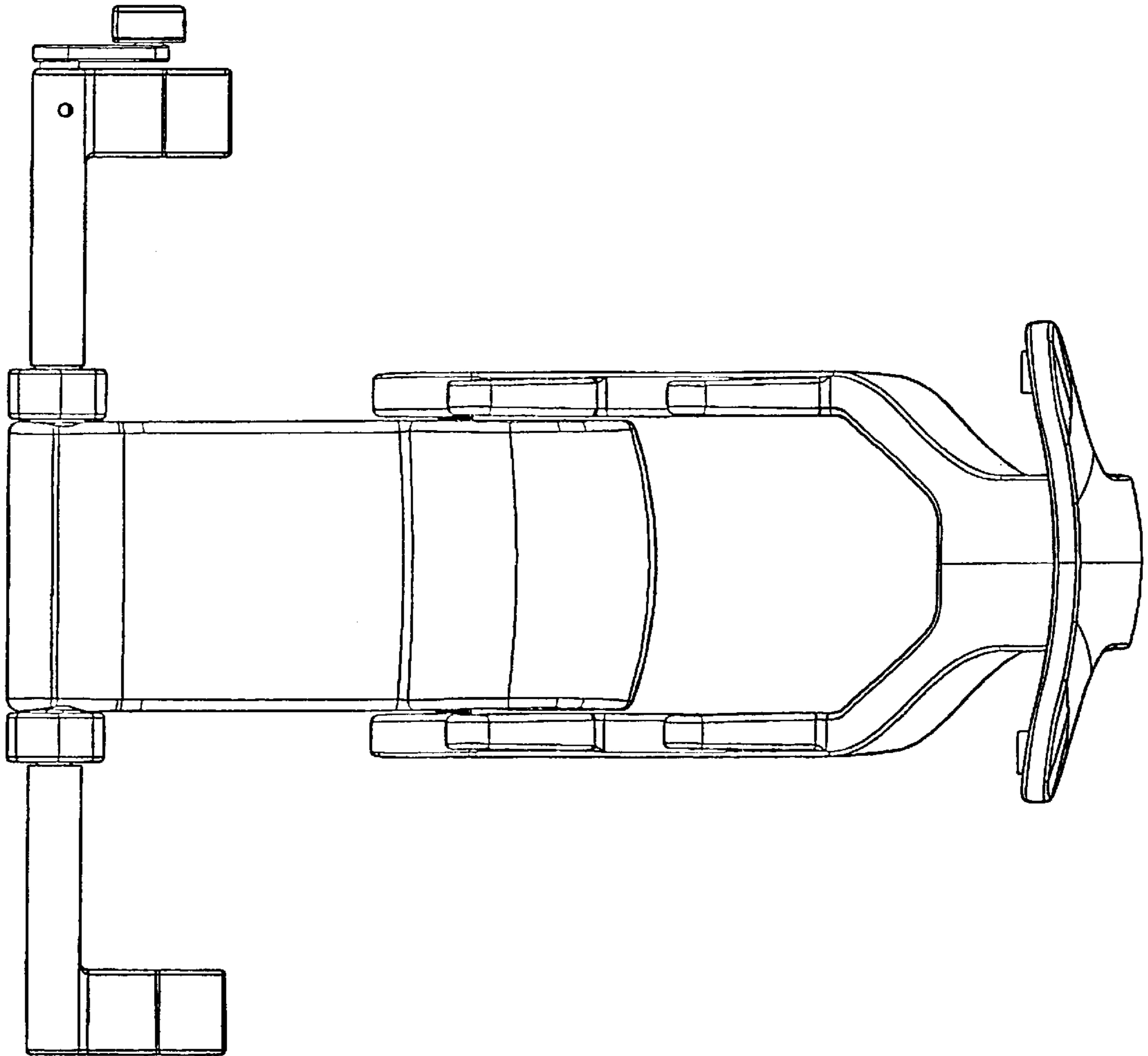


Fig. 4

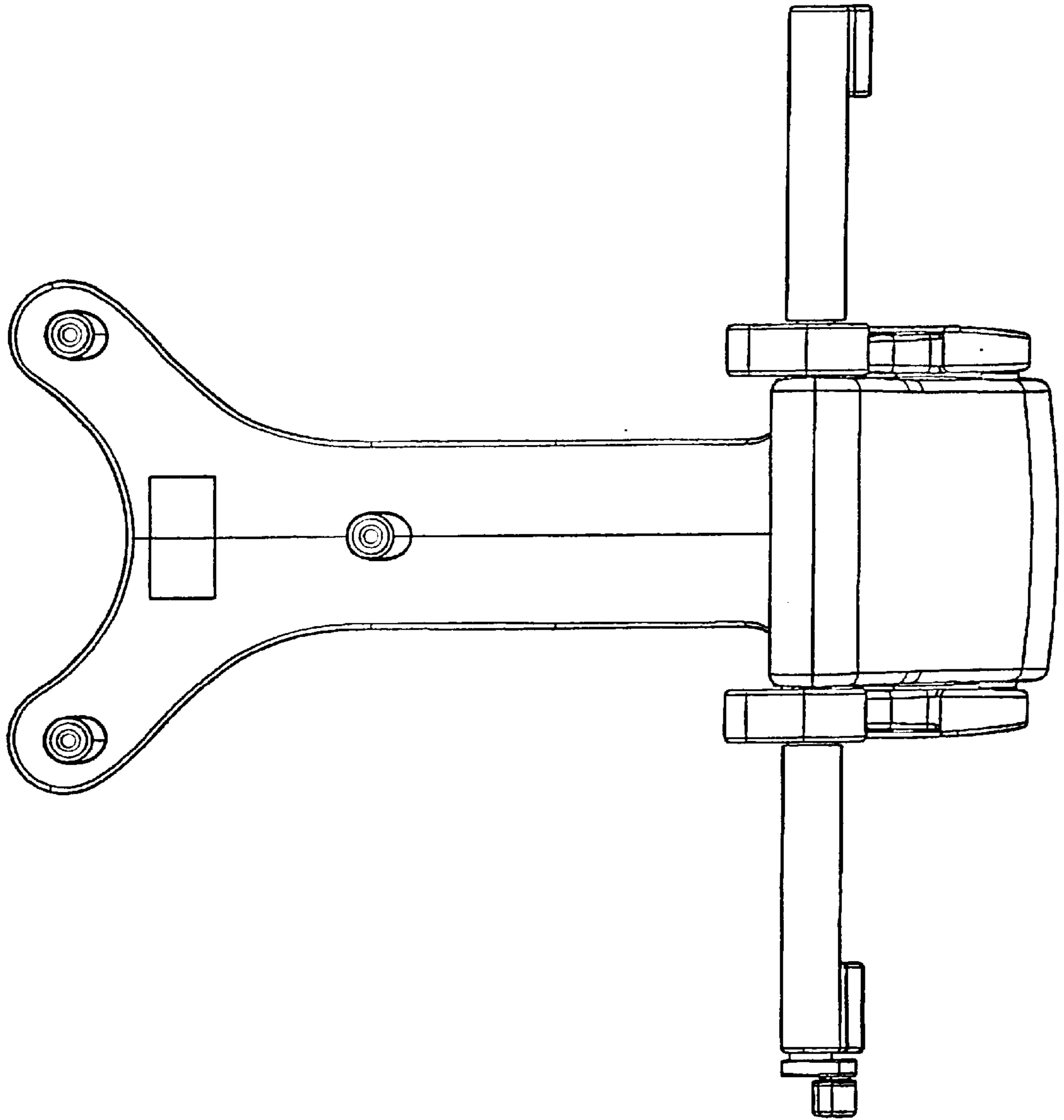


Fig. 5