



US00D479065S

(12) **United States Design Patent**
Verbeek

(10) **Patent No.:** **US D479,065 S**

(45) **Date of Patent:** **** Sep. 2, 2003**

(54) **FOOT FOR AN ARTICLE OF FURNITURE**

(75) Inventor: **Steve Verbeek, Aurora (CA)**

(73) Assignee: **TK Canada Limited, Downsview (CA)**

(**) Term: **14 Years**

(21) Appl. No.: **29/149,418**

(22) Filed: **Oct. 11, 2001**

(30) **Foreign Application Priority Data**

Apr. 12, 2001 (CA) 2001-0958

(51) **LOC (7) Cl.** **06-04**

(52) **U.S. Cl.** **D6/495**

(58) **Field of Search** D6/332, 491, 495,
D6/509; D8/374, 375; 16/19, 32; 52/220.7,
633, 645, 646; 248/188, 188.1, 188.8, 188.9,
188.2

(56) **References Cited**

U.S. PATENT DOCUMENTS

D221,616 S * 8/1971 Hollander D6/495
D315,997 S * 4/1991 Bales et al. D6/495
5,331,905 A * 7/1994 Hammers et al. 248/188.1 X

D376,713 S * 12/1996 Kelso D6/496
D377,724 S * 2/1997 Loznikov D6/495
D387,927 S * 12/1997 Gongora et al. D6/495
5,931,429 A * 8/1999 Hellwig et al. 248/188.8 X
D427,783 S * 7/2000 Luedke D6/332
D447,649 S * 9/2001 Mason D6/495
D450,496 S * 11/2001 Schwartz et al. D6/495
6,409,129 B1 * 6/2002 Chen et al. 248/188.8

* cited by examiner

Primary Examiner—Cathron C. Brooks

(74) *Attorney, Agent, or Firm*—Bereskin & Parr

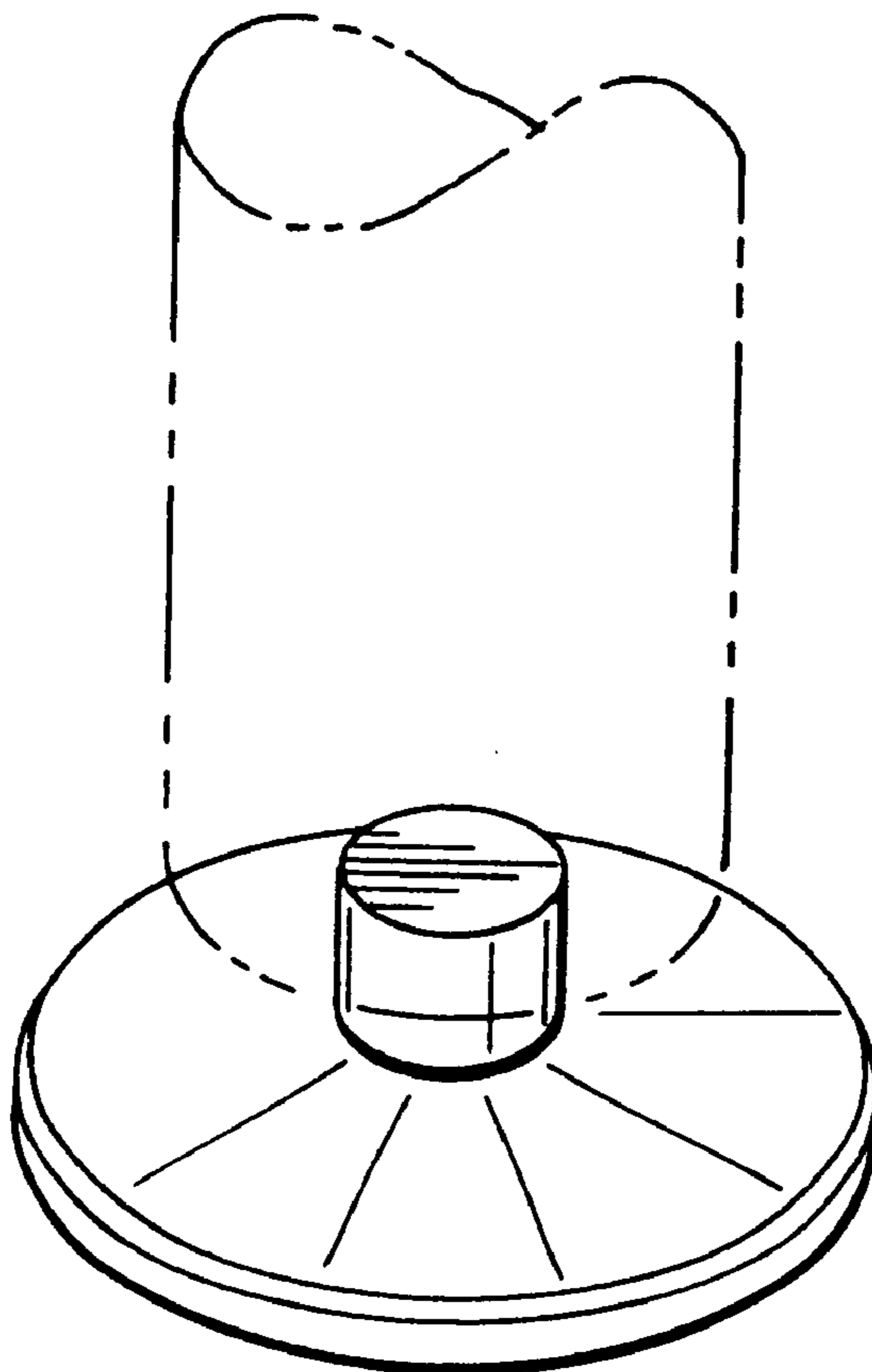
(57) **CLAIM**

The ornamental Design for a foot for an article of furniture,
as shown and described.

DESCRIPTION

FIG. 1 is a perspective view from above of the foot for an
article of furniture in accordance with my Design;
FIG. 2 is a typical elevational view corresponding to FIG. 1;
the view is the same as seen from all sides; and,
FIGS. 3 and 4 are top and bottom plan views respectively.
The broken lines shown are for illustrative purposes only
and form no part of the claimed design.

1 Claim, 1 Drawing Sheet



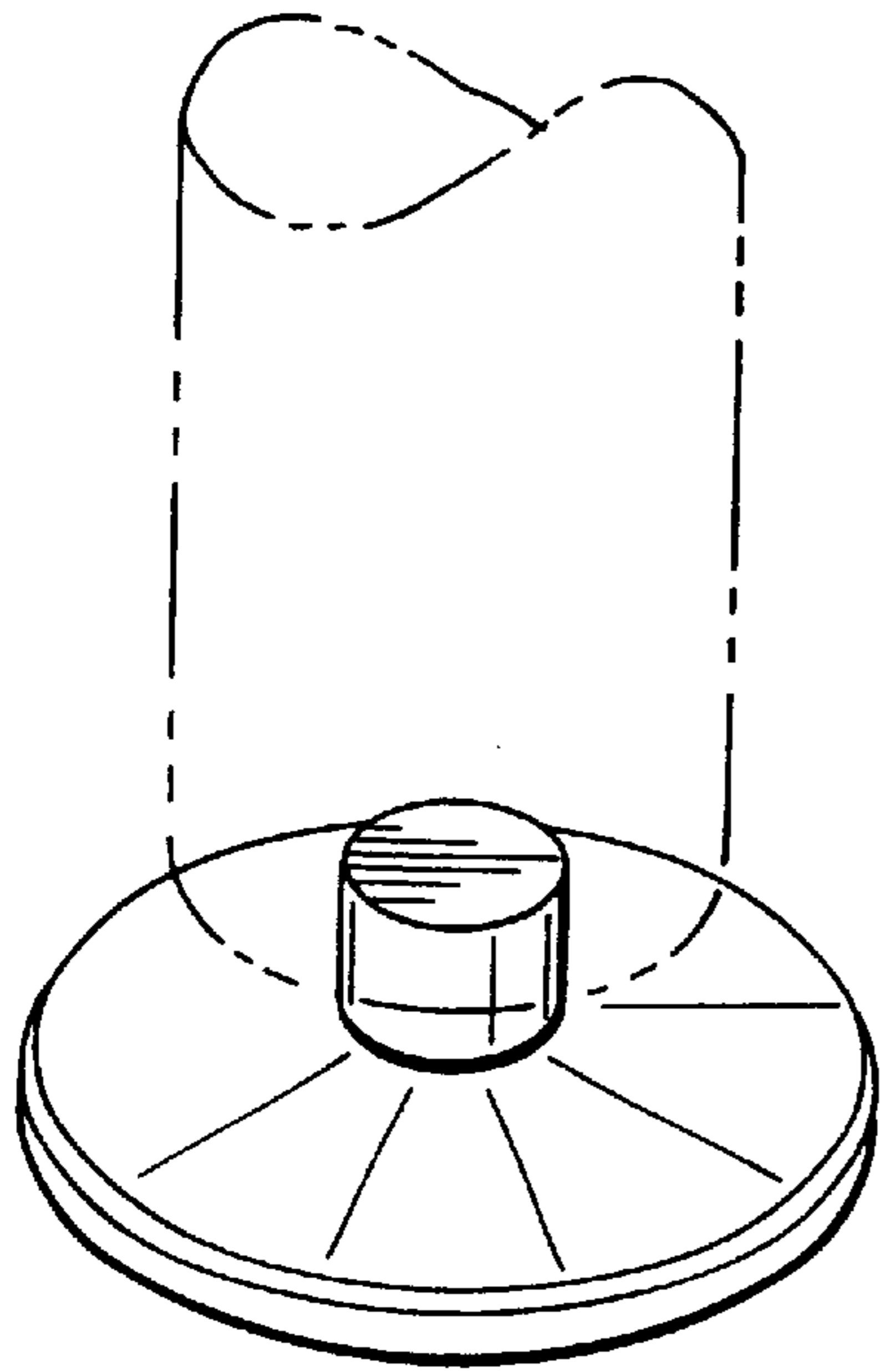


FIG. 1

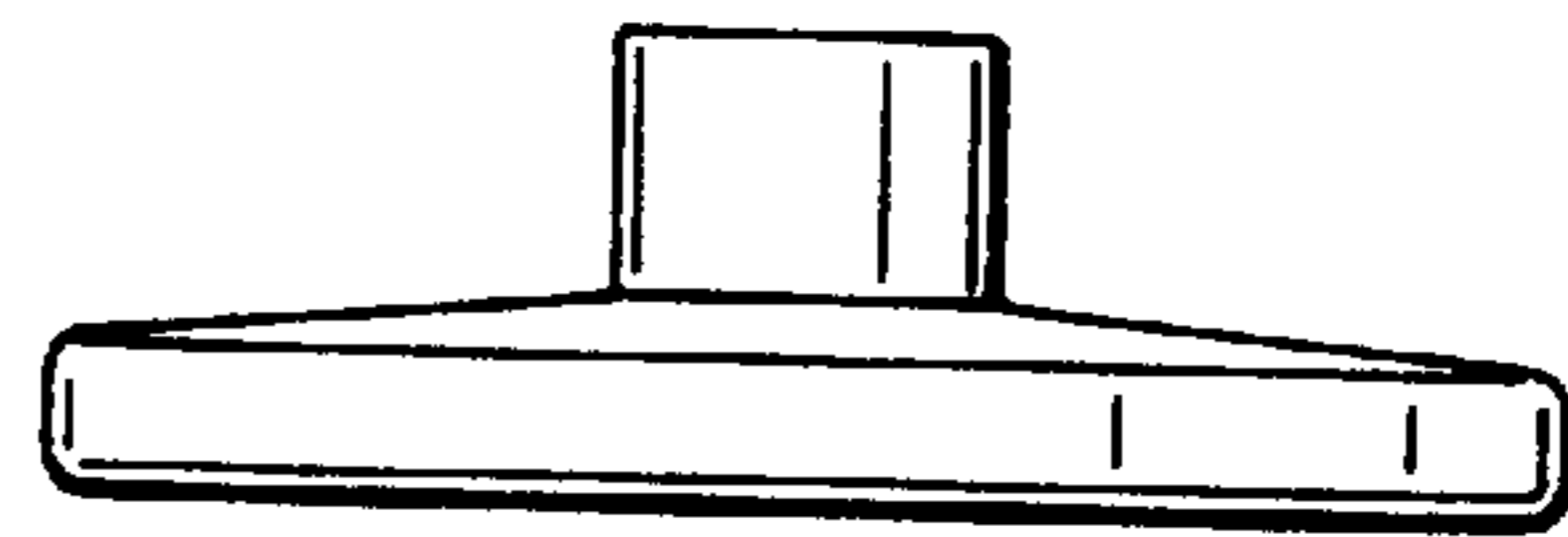


FIG. 2

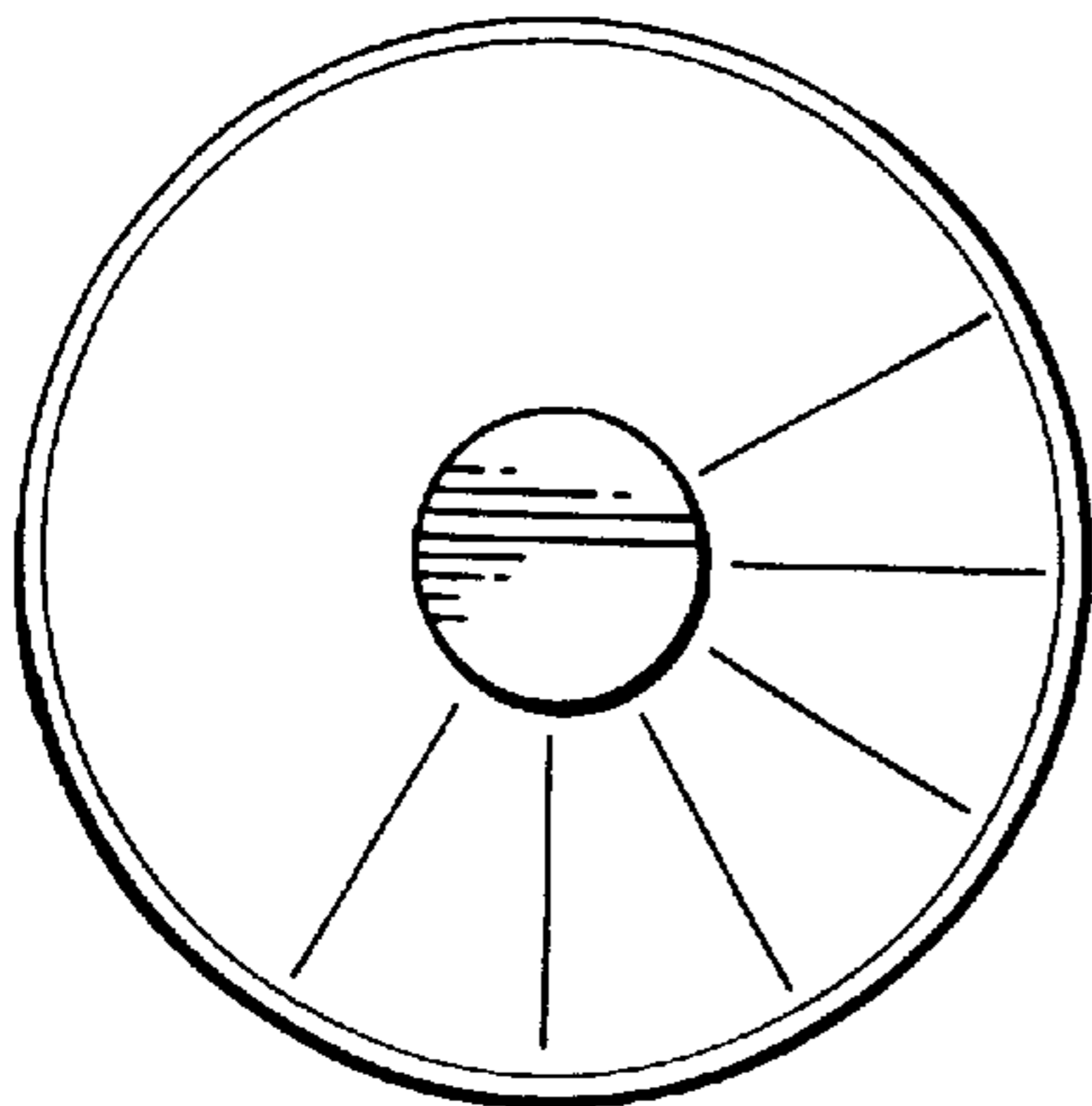


FIG. 3

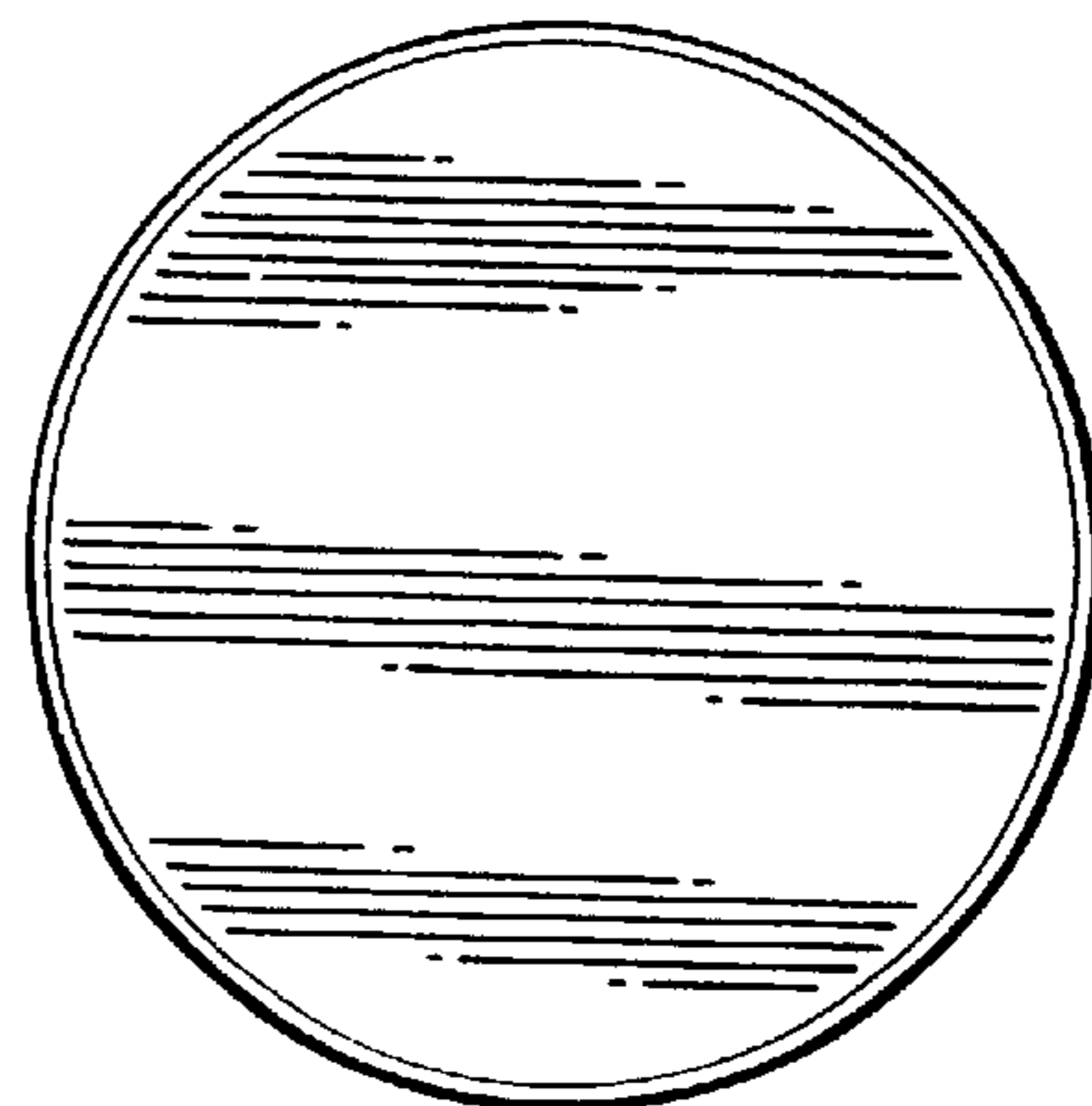


FIG. 4